



US00D719129S

(12) **United States Design Patent**  
**Ryu et al.**

(10) **Patent No.:** **US D719,129 S**  
(45) **Date of Patent:** **\*\* Dec. 9, 2014**

(54) **RECEIVER FOR HOME THEATER**

(71) Applicant: **LG Electronics Inc.**, Seoul (KR)

(72) Inventors: **Junghan Ryu**, Seoul (KR); **Sooyoung Park**, Gyeonggi-do (KR); **Junki Kim**, Seoul (KR); **Yongsoo Kim**, Seoul (KR)

(73) Assignee: **LG Electronics Inc.**, Seoul (KR)

(\*\*) Term: **14 Years**

(21) Appl. No.: **29/465,320**

(22) Filed: **Aug. 27, 2013**

(30) **Foreign Application Priority Data**

Apr. 17, 2013 (KR) ..... 30-2013-0020171

(51) **LOC (10) Cl.** ..... **14-03**

(52) **U.S. Cl.**  
USPC ..... **D14/188**

(58) **Field of Classification Search**

CPC ..... H04M 1/67; H04M 2250/12; H04N 7/15;  
G06K 9/00013; G06K 9/00026; G06K  
9/00919; G08B 13/1427; G08B 21/023  
USPC ..... D14/131, 132, 137, 155, 157, 168-171,  
D14/188, 194, 195, 197, 198, 203.1-203.8,  
D14/209.1, 239, 257, 258, 496, 498-508;  
455/90.1-90.3, 344-355; 369/6-12  
See application file for complete search history.

(56) **References Cited**

**U.S. PATENT DOCUMENTS**

D339,349 S \* 9/1993 Hayasaka et al. .... D14/191  
D438,525 S \* 3/2001 Katayama ..... D14/203.7

D486,814 S \* 2/2004 Nakamura ..... D14/167  
D535,306 S \* 1/2007 Tokioka ..... D14/203.6  
D535,307 S \* 1/2007 Yagi ..... D15/136  
D592,641 S \* 5/2009 Ryu et al. .... D14/214  
D613,725 S \* 4/2010 Chen ..... D14/194

\* cited by examiner

*Primary Examiner* — Keli L Hill

(74) *Attorney, Agent, or Firm* — Morgan, Lewis & Bockius LLP

(57) **CLAIM**

The ornamental design for a receiver for home theater, as shown and described.

**DESCRIPTION**

FIG. 1 is a front, right side, perspective view of a receiver for home theater showing our new design;  
FIG. 2 is a front view thereof;  
FIG. 3 is a rear view thereof;  
FIG. 4 is a left side view thereof;  
FIG. 5 is a right side view thereof;  
FIG. 6 is a top view thereof; and,  
FIG. 7 is a bottom view thereof.

The broken lines shown in the drawings represent unclaimed portions of the receiver for home theater and form no part of the claimed design.

**1 Claim, 6 Drawing Sheets**

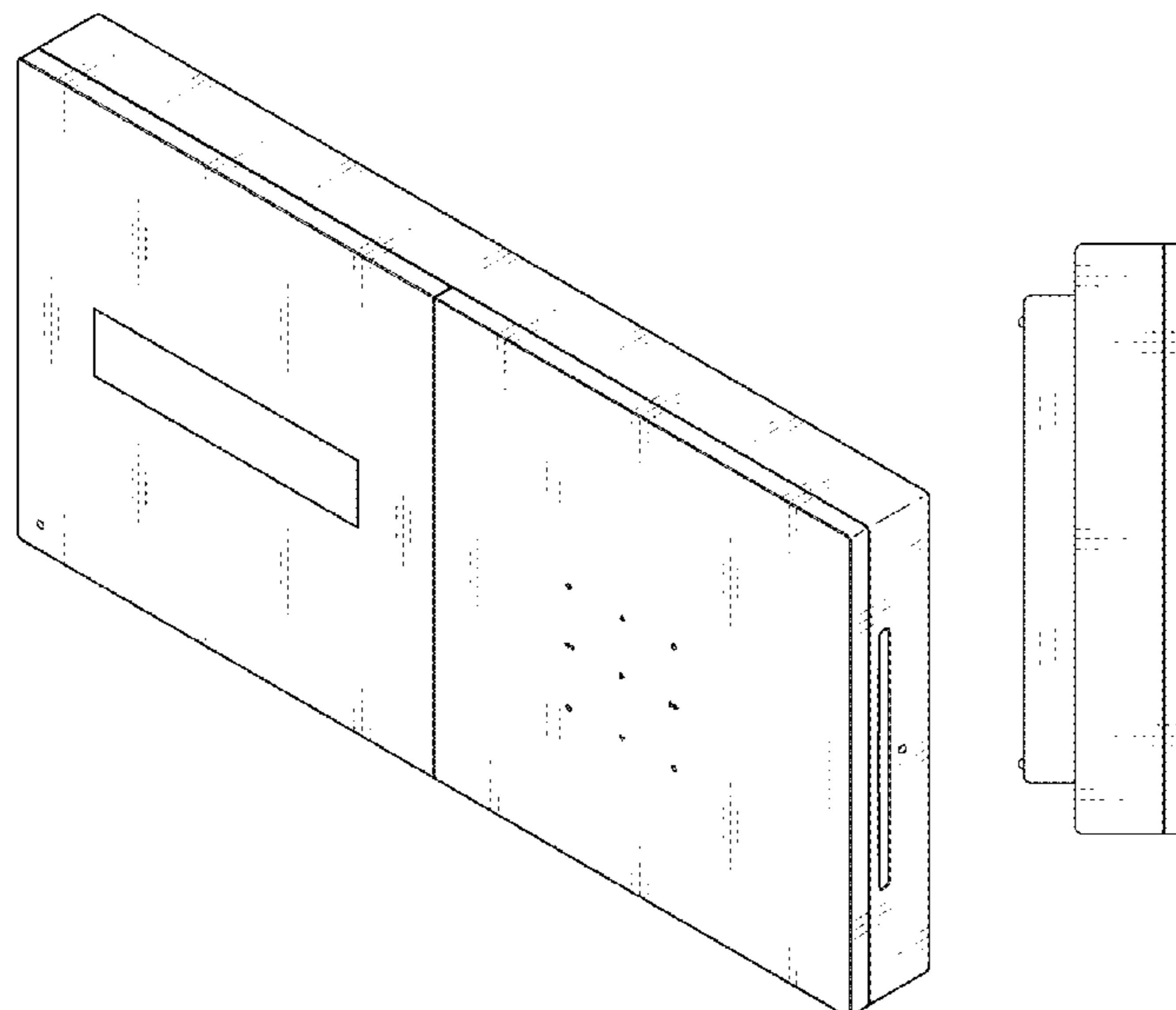


FIG. 1

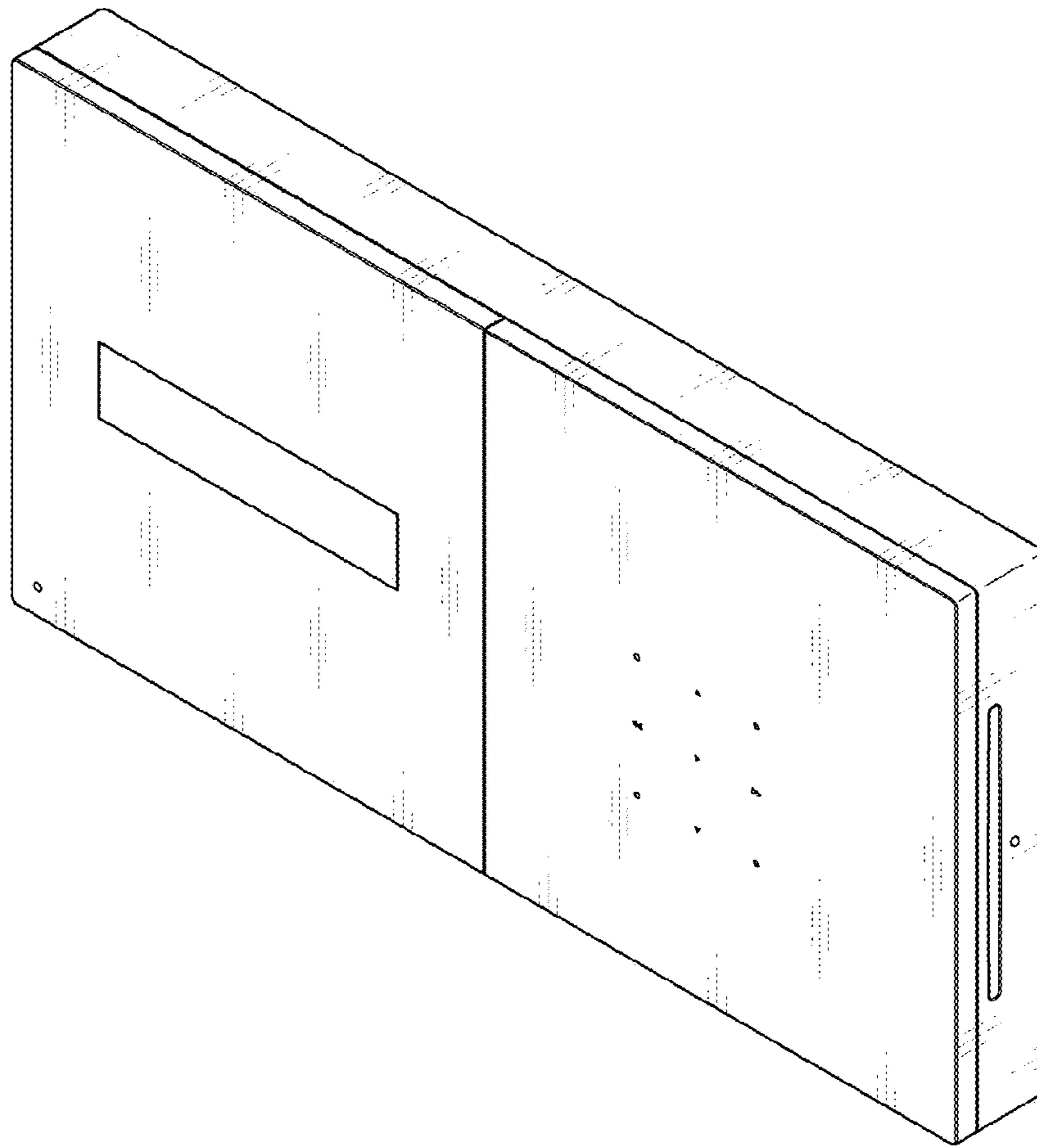


FIG. 2

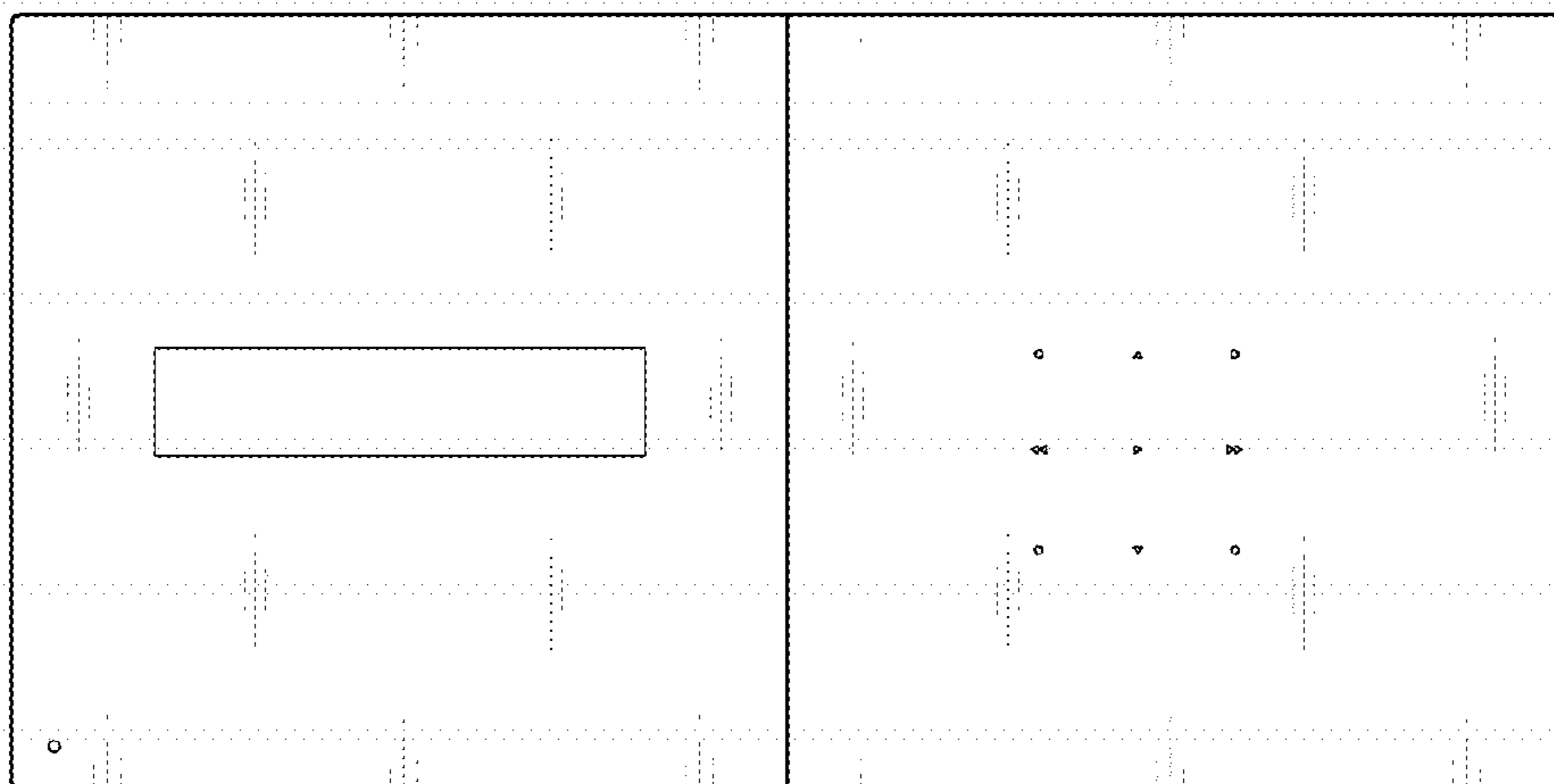


FIG. 3

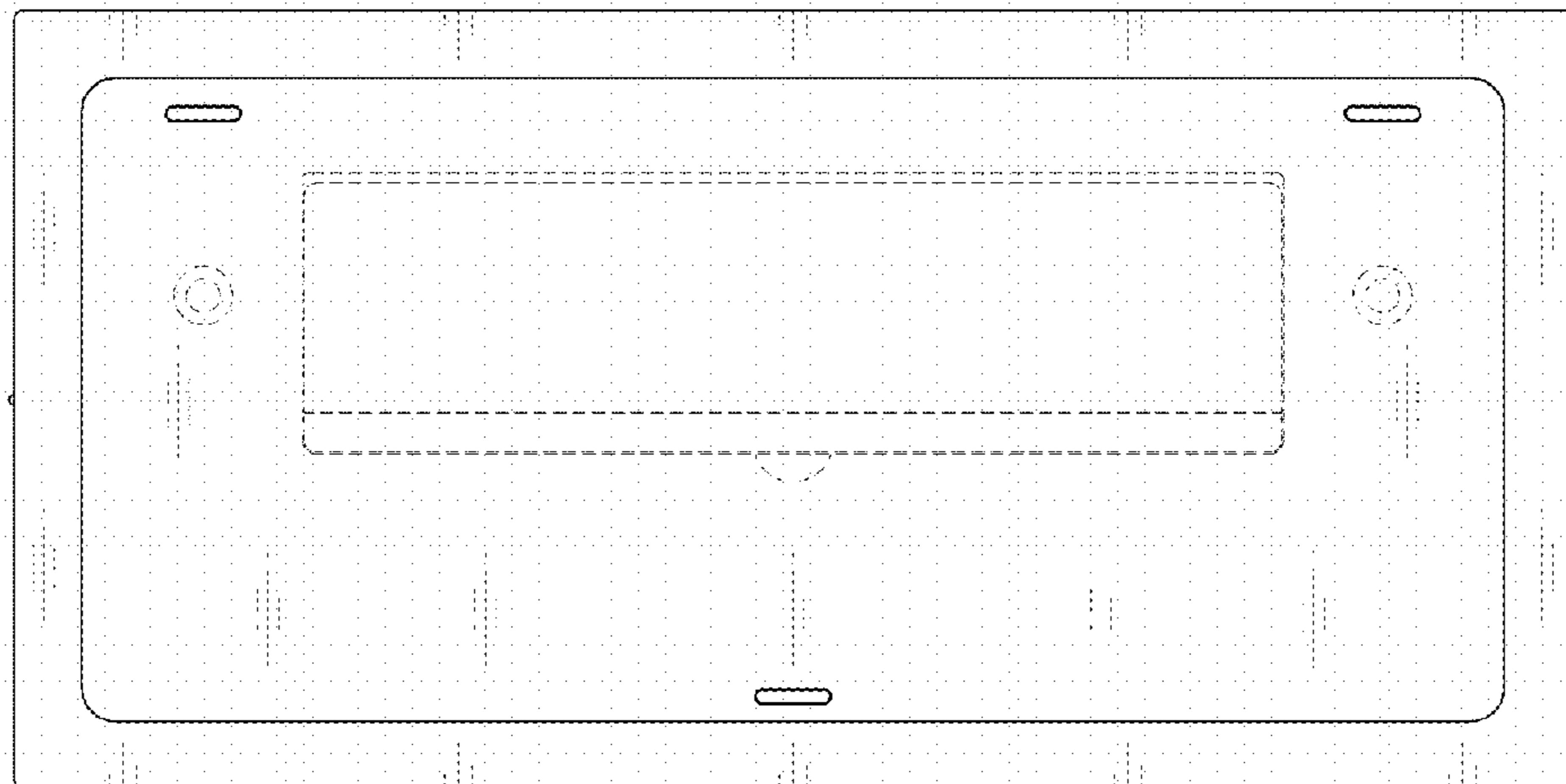


FIG. 4

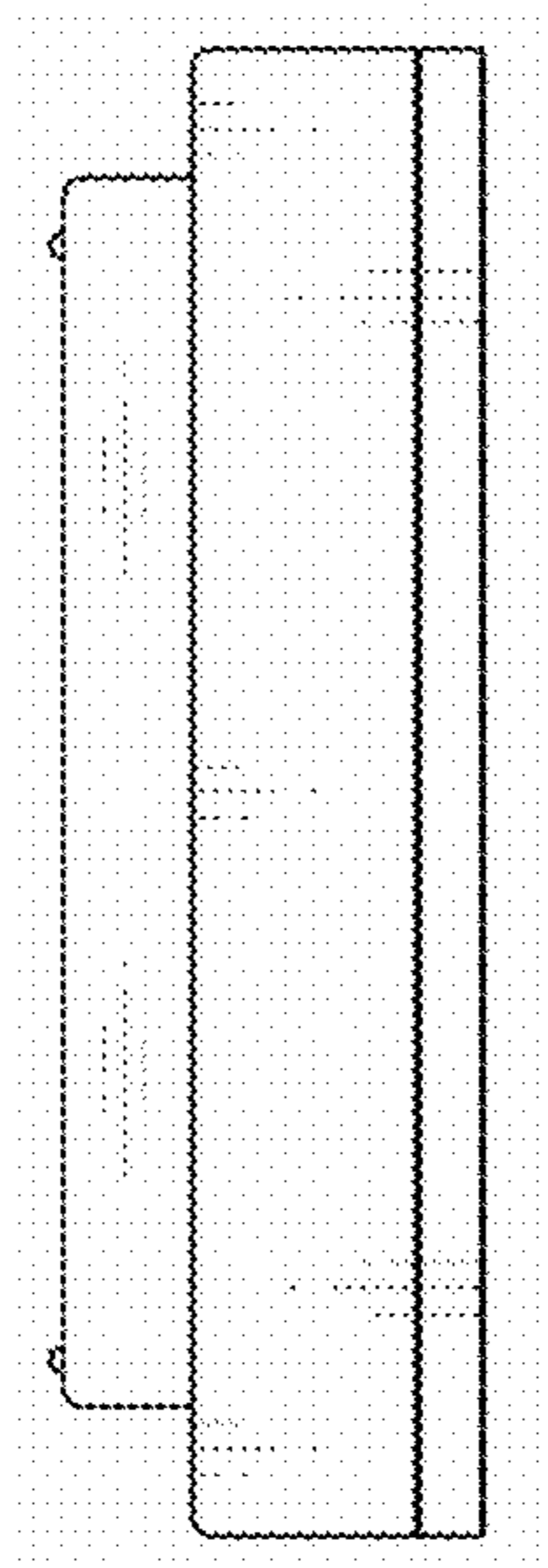


FIG. 5

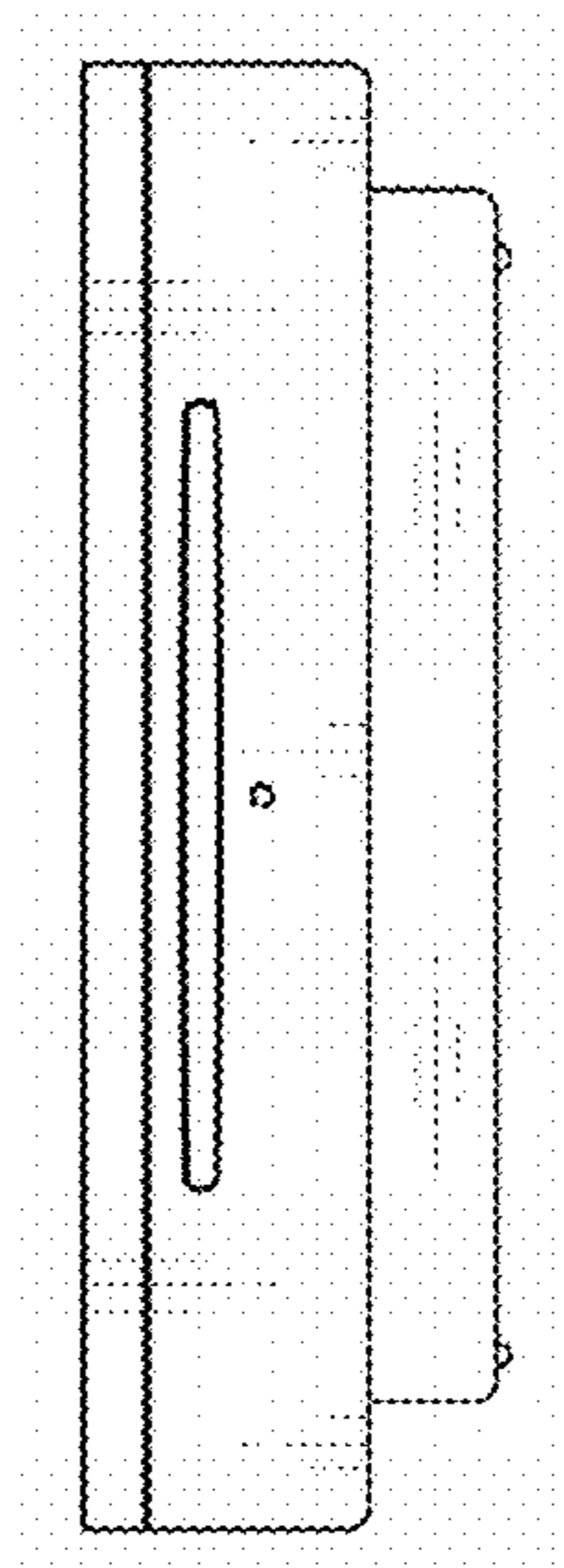


FIG. 6

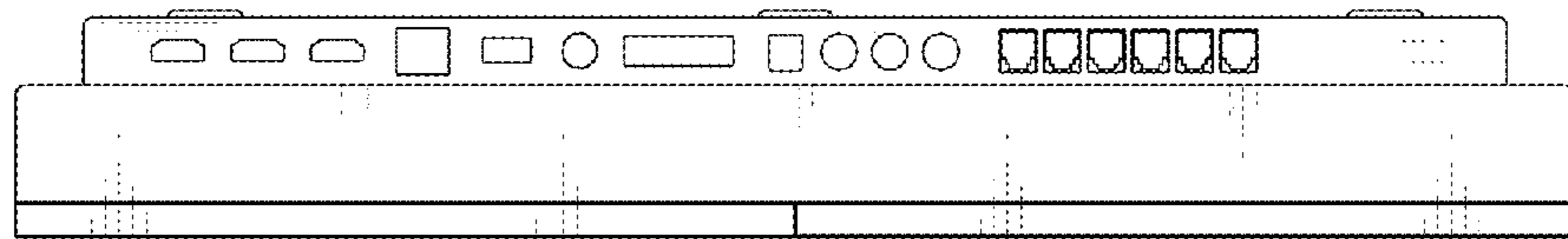


FIG. 7

