



US00D719127S

(12) **United States Design Patent**
Nishiwaki et al.

(10) **Patent No.:** **US D719,127 S**
(45) **Date of Patent:** **** Dec. 9, 2014**

(54) **RECORDER FOR VIDEO CAMERAS**

(71) Applicant: **Panasonic Corporation**, Osaka (JP)

(72) Inventors: **Kenji Nishiwaki**, Osaka (JP); **Akihiro Adachi**, Osaka (JP)

(73) Assignee: **Panasonic Corporation**, Osaka (JP)

(**) Term: **14 Years**

(21) Appl. No.: **29/500,264**

(22) Filed: **Aug. 22, 2014**

(30) **Foreign Application Priority Data**

Mar. 10, 2014 (JP) 2014-004930

(51) **LOC (10) Cl.** **14-01**

(52) **U.S. Cl.**
USPC **D14/167**

(58) **Field of Classification Search**

USPC D14/167, 154, 168, 188, 496, 156, 160,
D14/161, 162, 163, 164, 165, 158, 203.1,
D14/341, 346, 342, 345, 225, 226, 228, 227,
D14/214; 455/351, 350; D19/60, 62;
D21/330; 369/44.14, 44.32; 700/94;
D16/202

See application file for complete search history.

(56) **References Cited**

U.S. PATENT DOCUMENTS

D452,226 S * 12/2001 Simpson et al. D14/167
D486,813 S * 2/2004 Chun D14/203.3
D513,512 S * 1/2006 Tsai D14/203.7

7,046,230 B2 * 5/2006 Zadesky et al. 345/156
D539,811 S * 4/2007 Lee D14/203.7
D551,650 S * 9/2007 DiPasquale D14/140.1
D556,183 S * 11/2007 Kesler D14/155
D595,686 S * 7/2009 Mosher D14/158
D635,120 S * 3/2011 Sakai D14/167
D635,545 S * 4/2011 Sakai D14/167
D669,879 S * 10/2012 Iijima D14/167
D695,806 S * 12/2013 Konishi et al. D16/202
D696,225 S * 12/2013 Osada D14/167
D707,198 S * 6/2014 Bouzid et al. D14/167

* cited by examiner

Primary Examiner — Austin Murphy

(74) *Attorney, Agent, or Firm* — Panasonic Patent Center

(57) **CLAIM**

We claim the ornamental design for a recorder for video cameras, as shown and described.

DESCRIPTION

FIG. 1 is a front perspective view of a recorder for video cameras of the present invention;
FIG. 2 is a front view thereof;
FIG. 3 is a rear view thereof;
FIG. 4 is a top view thereof;
FIG. 5 is a bottom view thereof;
FIG. 6 is a first side view thereof; and,
FIG. 7 is a second side view thereof.
The broken line showing of recorder for video cameras is included for the purpose of illustrating environment and forms no part of the claimed design. Additionally, the unevenly broken lines in the drawings define the limits of the claimed design.

1 Claim, 7 Drawing Sheets

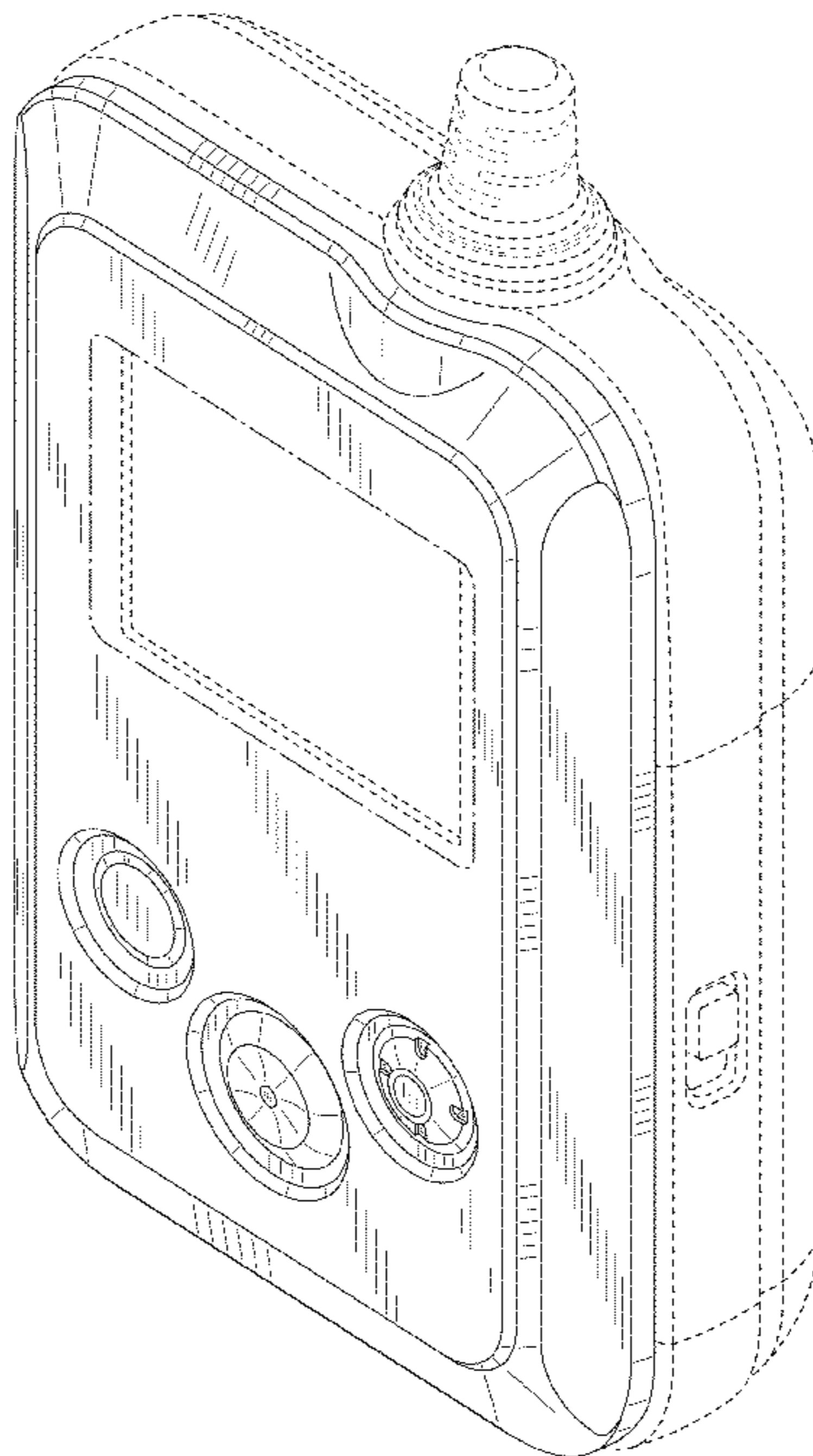


FIG. 1

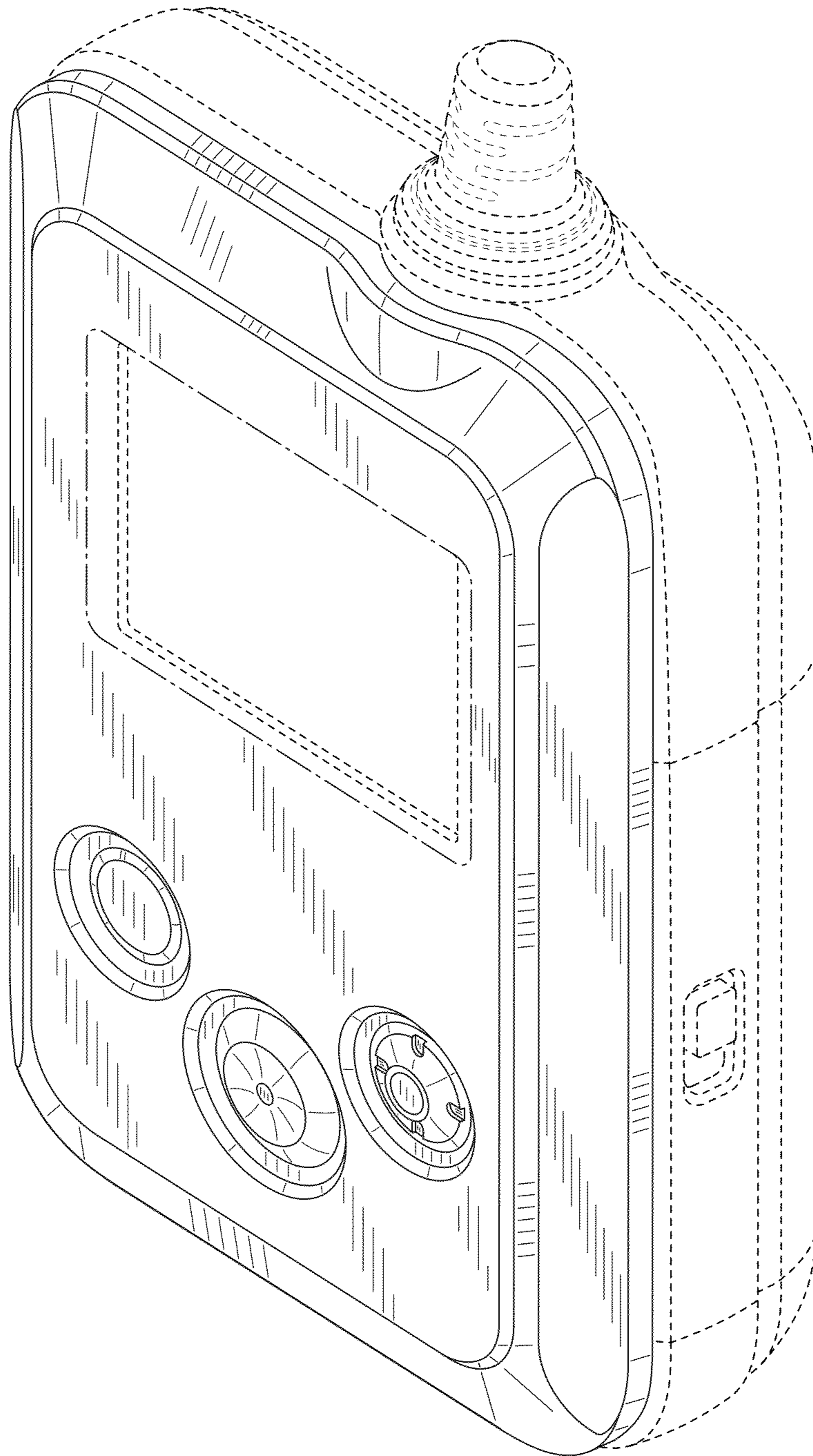


FIG. 2

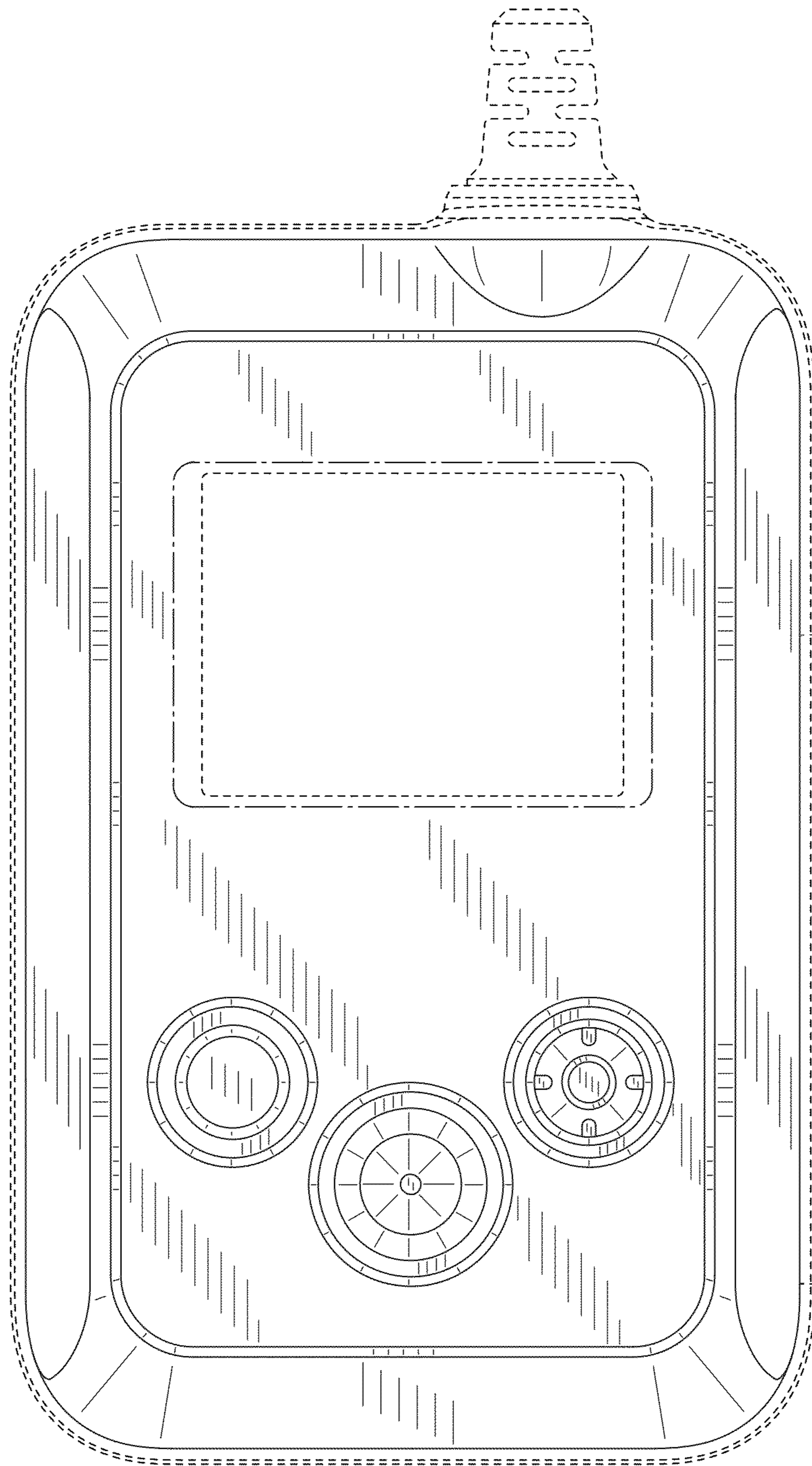


FIG. 3

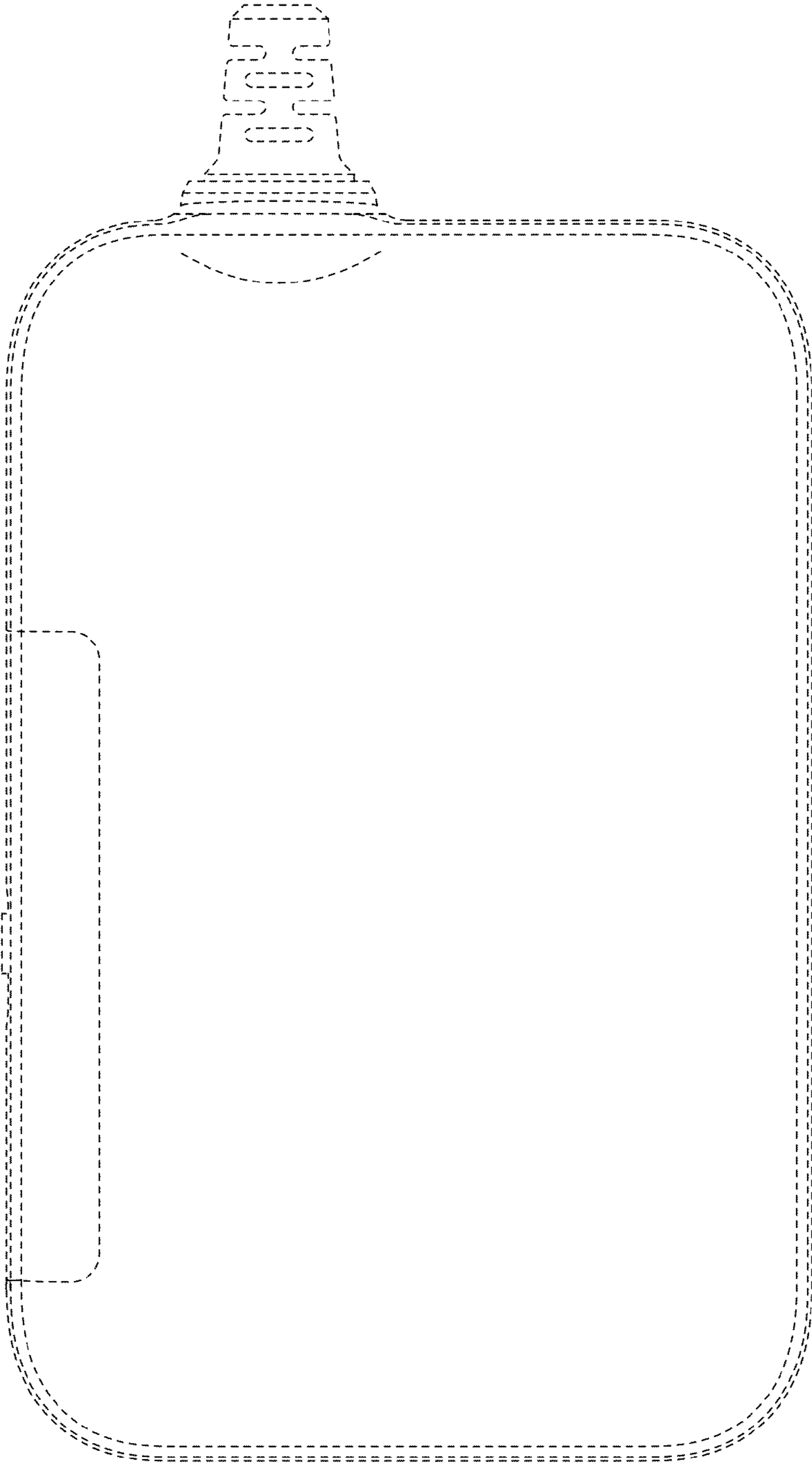


FIG. 4

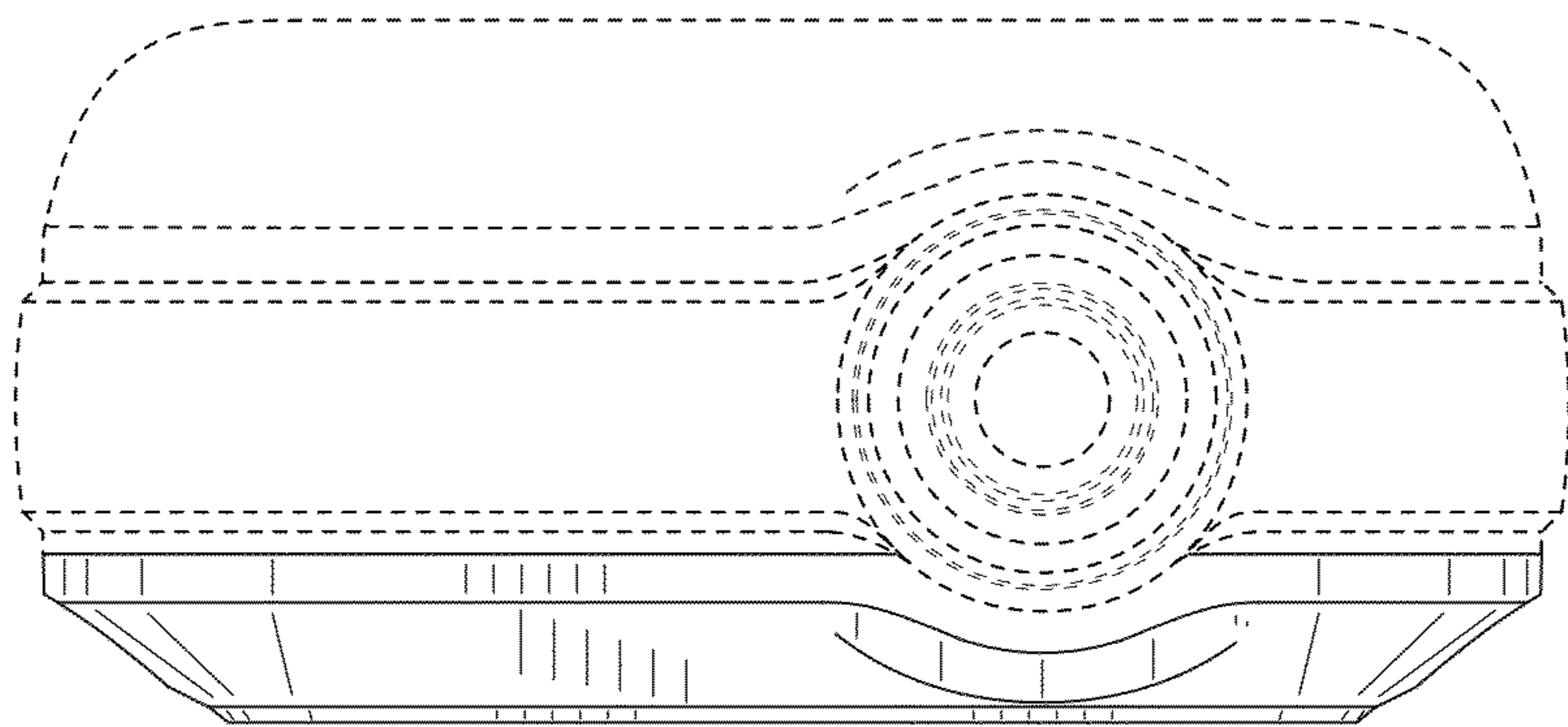


FIG. 5

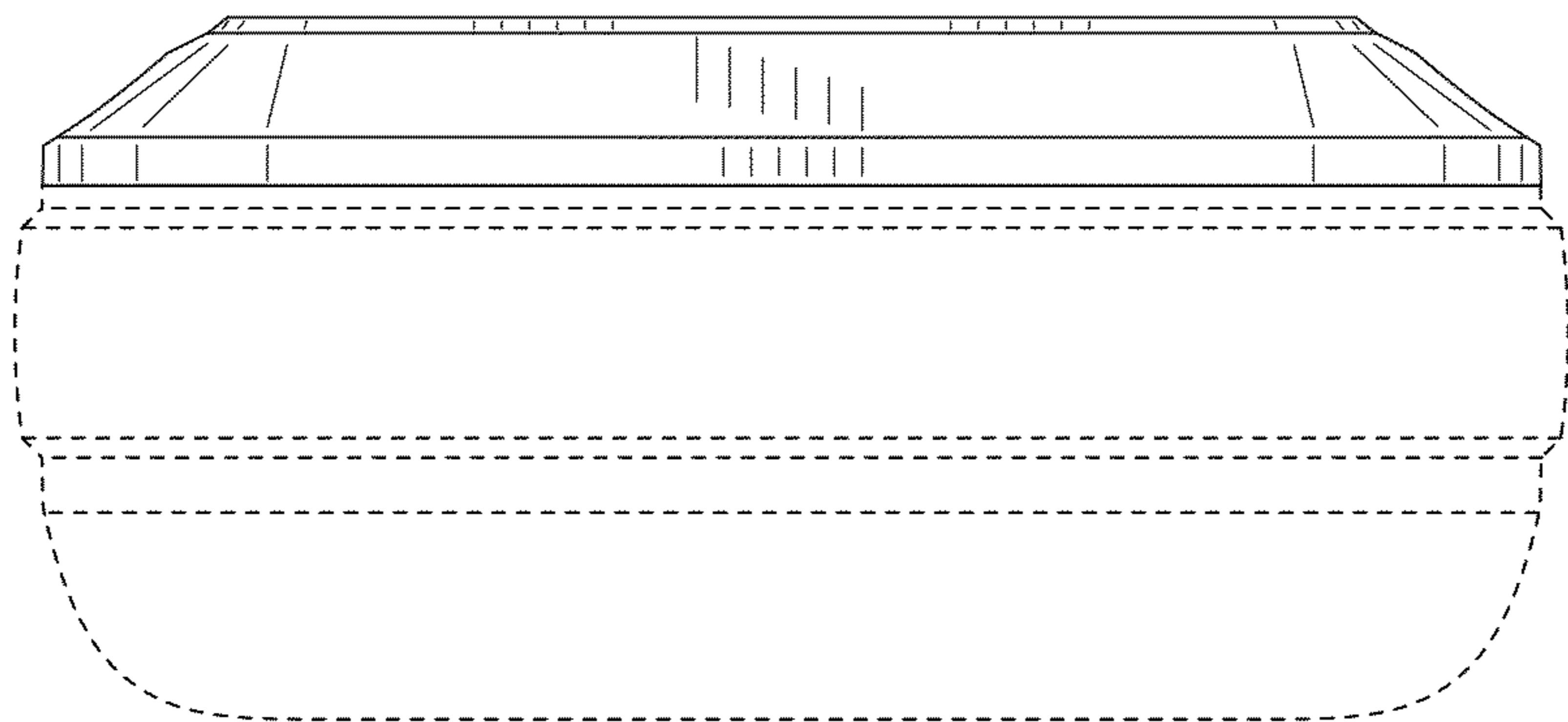


FIG. 6

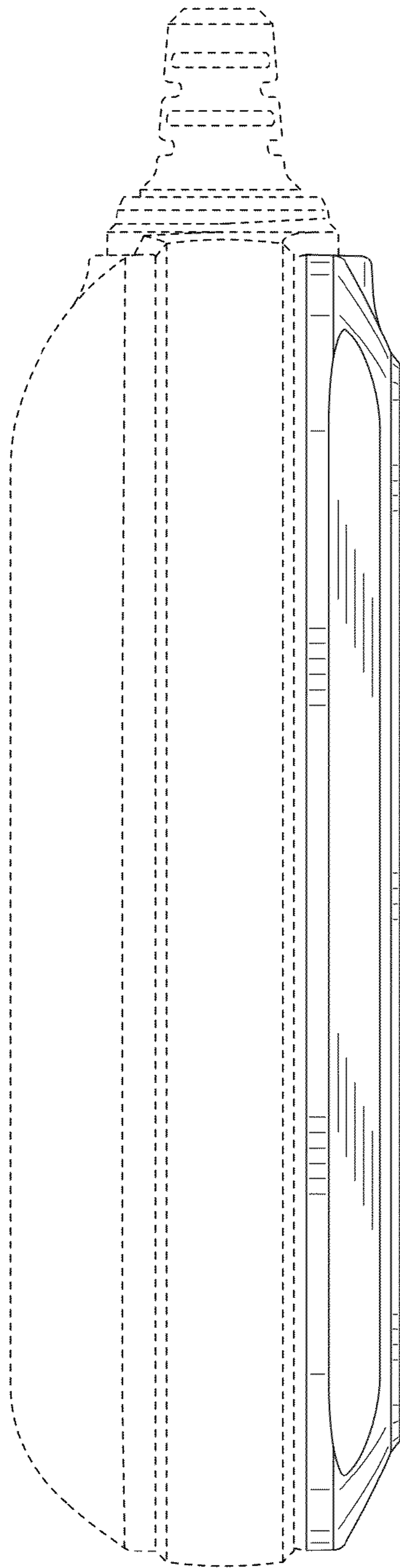


FIG. 7

