



US00D719126S

(12) **United States Design Patent**
Kusano

(10) **Patent No.:** **US D719,126 S**
(45) **Date of Patent:** **** Dec. 9, 2014**

- (54) **SELF-RECORDING CABLE**
- (71) Applicant: **Gibson Brands, Inc.**, Nashville, TN
(US)
- (72) Inventor: **Yoshirou Kusano**, Tama (JP)
- (73) Assignee: **Gibson Brands, Inc.**, Nashville, TN
(US)
- (**) Term: **14 Years**
- (21) Appl. No.: **29/478,546**
- (22) Filed: **Jan. 6, 2014**
- (51) **LOC (10) Cl.** **14-01**
- (52) **U.S. Cl.**
USPC **D14/167**
- (58) **Field of Classification Search**
CPC G06F 17/00; G11C 16/02; G10H 2220/00;
G10H 2220/155; G10H 2230/025
USPC D14/167, 154, 168, 188, 496, 156, 160,
D14/161, 162, 163, 164, 165, 158, 203.1,
D14/341, 346, 342, 345, 225, 226, 228, 227,
D14/214; 455/351, 350; D19/60, 62;
D21/330; 369/44.14, 44.32; 700/94
See application file for complete search history.

D497,606 S *	10/2004	Yang	D14/203.3
D549,229 S *	8/2007	Chiang	D14/411
D577,707 S *	9/2008	Lee et al.	D14/158
D594,065 S *	6/2009	Oikawa et al.	D21/333
D612,866 S *	3/2010	Sukeda	D14/496
D618,660 S *	6/2010	Whang et al.	D14/167
D631,465 S *	1/2011	Lipsky et al.	D14/167
D632,673 S *	2/2011	Isaias	D14/218
D690,303 S *	9/2013	Avery	D14/411
D703,180 S *	4/2014	Chen	D14/155

* cited by examiner

Primary Examiner — Austin Murphy
(74) *Attorney, Agent, or Firm* — Bates & Bates, LLC

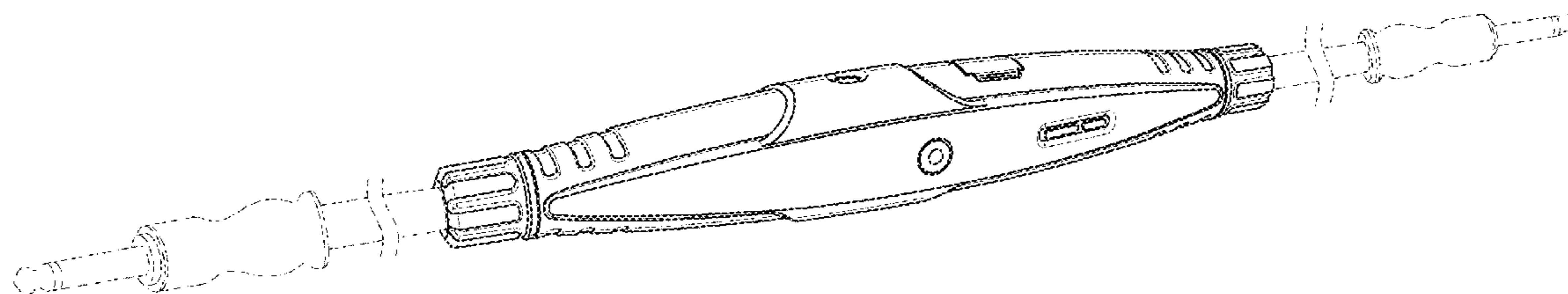
(57) **CLAIM**
What is claimed is the ornamental design for a self-recording cable, as shown and described.

DESCRIPTION

FIG. 1 is a perspective view of the self-recording cable;
FIG. 2 is a front view of the self-recording cable;
FIG. 3 is a back view of the self-recording cable;
FIG. 4 is an elevational view of the right side of the self-recording cable;
FIG. 5 is an elevational view of the left side of the self-recording cable;
FIG. 6 is a top plan view of the self-recording cable; and,
FIG. 7 is a bottom plan view of the self-recording cable.
The broken lines in FIGS. 1-7 represent the portions of the design that form no part of the claim.

1 Claim, 4 Drawing Sheets

- (56) **References Cited**
U.S. PATENT DOCUMENTS
D379,009 S * 4/1997 Osiecki D14/167
D447,470 S * 9/2001 Obata D14/167



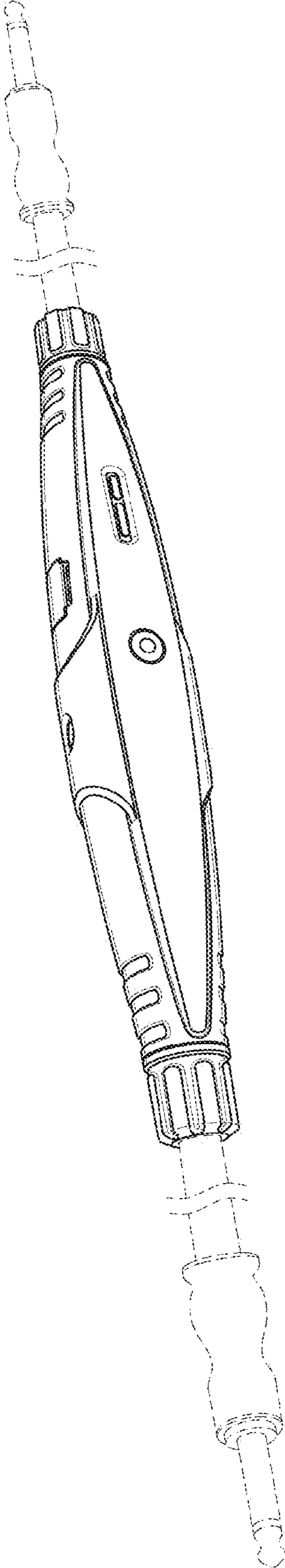


FIG. 1

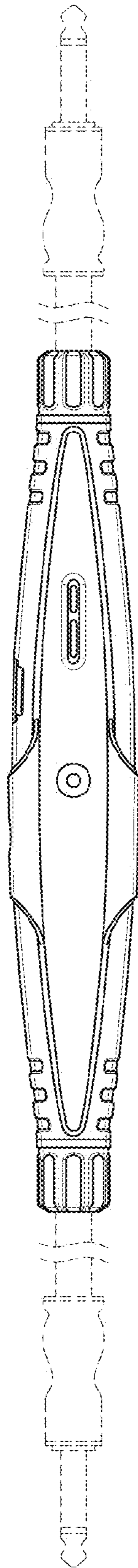


FIG. 2

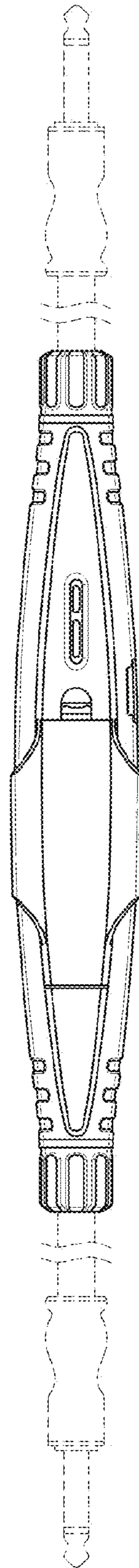


FIG. 3

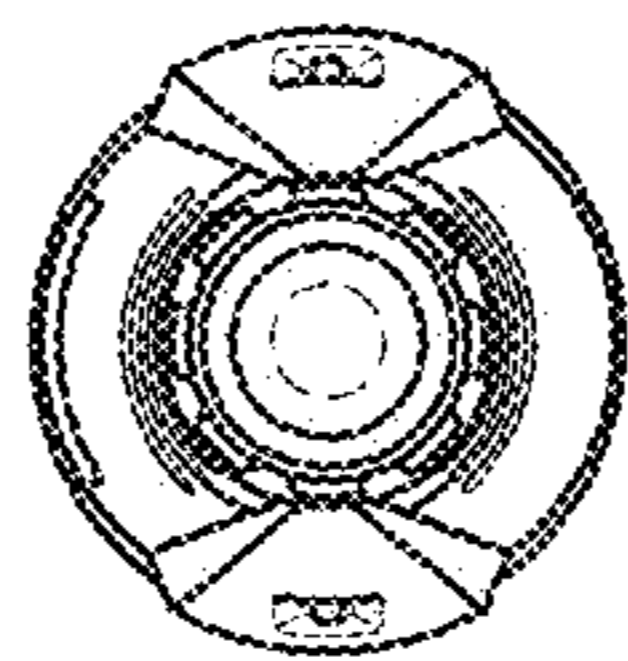


FIG. 4

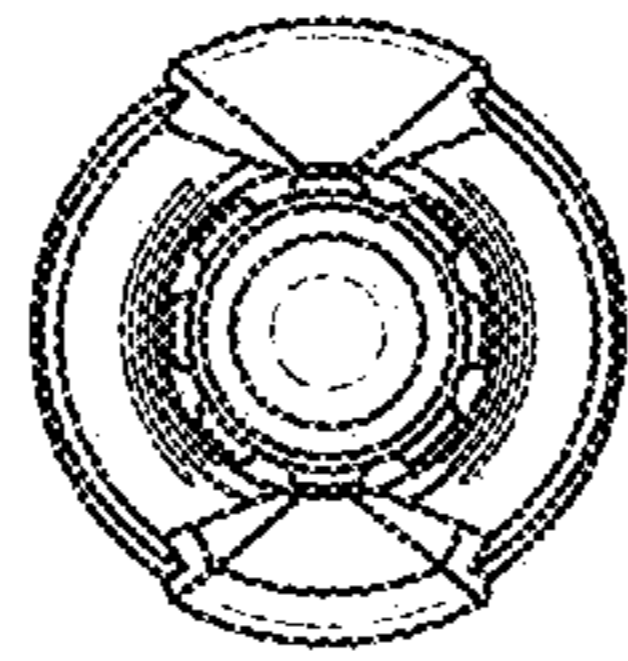


FIG. 5

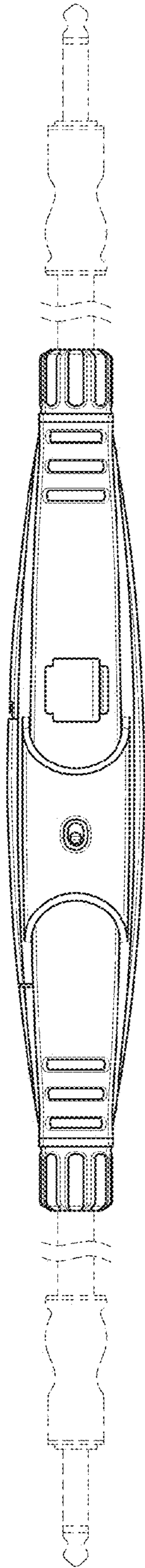


FIG. 6

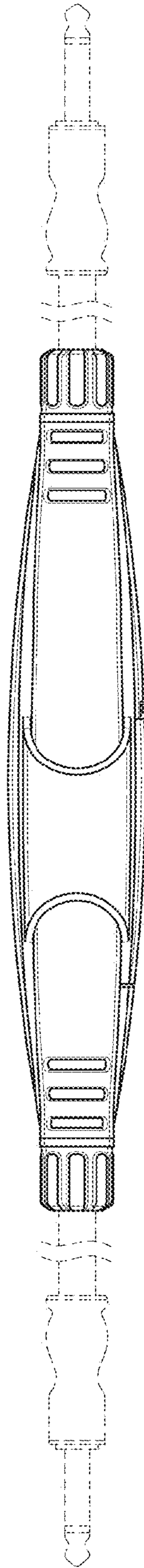


FIG. 7