

US00D719123S

(12) **United States Design Patent**  
**Park et al.**

(10) **Patent No.:** **US D719,123 S**  
(45) **Date of Patent:** **\*\* Dec. 9, 2014**

(54) **MOBILE PHONE**

(71) Applicant: **LG Electronics Inc.**, Seoul (KR)

(72) Inventors: **Sangmin Park**, Seoul (KR); **Seunghoon Ryu**, Goyang-si (KR); **Jonghak Lee**, Cheonan-si (KR); **Euseok Lee**, Seoul (KR)

(73) Assignee: **LG Electronics Inc.**, Seoul (KR)

(\*\*) Term: **14 Years**

(21) Appl. No.: **29/480,280**

(22) Filed: **Jan. 24, 2014**

(30) **Foreign Application Priority Data**

Jul. 26, 2013 (KR) ..... 30-2013-0038914

(51) **LOC (10) Cl.** ..... **14-03**

(52) **U.S. Cl.**  
USPC ..... **D14/138 R**; D14/433; D10/38

(58) **Field of Classification Search**

CPC ..... H04B 1/03; H04B 1/385; G04G 17/083

USPC ..... D14/140, 137, 138 R, 138 AB, 139, 155,

D14/191, 192, 203.1, 203.3, 203.4, 203.5,

D14/203.7, 248, 226, 218, 144, 240, 344,

D14/440, 341, 346, 448, 450, 496;

D10/30-39, 70, 65, 78, 104.1, 104.2,

D10/125; D11/3-5, 12, 19, 25; D13/168;

D8/354, 366, 402, 499; D3/215;

D15/199; 381/364, 151; 379/433.1;

455/575.1, 556.1, 556.2, 558, 575.3,

455/575.4, 575.6, 90.3; 368/10, 13, 69,

368/223; D21/329; D24/167

See application file for complete search history.

(56) **References Cited**

**U.S. PATENT DOCUMENTS**

3,152,438 A \* 10/1964 Ojima ..... 368/281  
3,789,601 A \* 2/1974 Bergey ..... 368/69

D265,062 S \* 6/1982 Hirabayashi ..... D10/38  
D266,230 S \* 9/1982 Tsukahara ..... D10/38  
4,395,134 A \* 7/1983 Luce ..... 368/3  
4,493,561 A \* 1/1985 Bouchet ..... 368/281  
4,511,259 A \* 4/1985 Horiuchi ..... 368/10  
4,552,464 A \* 11/1985 Rogers ..... 368/10  
D293,892 S \* 1/1988 Ichikawa ..... D10/38

(Continued)

**OTHER PUBLICATIONS**

Wrist type mobile devices (1/8-Designs-© Questel). orbit.com [online search PDF] 44 pages. Uploaded range from 2007-2014 [retrieved on Sep. 22, 2014]. Retrieved from Internet: <http://sobjprd.questel.fr/export/QPTUJ214/pdf2/2f78fa37-6e03-40fa-b853-941e65da78d9-175438.pdf>.\*

(Continued)

*Primary Examiner* — Susan Bennett Hattan

*Assistant Examiner* — Marie Fast Horse

(74) *Attorney, Agent, or Firm* — Birch, Stewart, Kolasch & Birch, LLP

(57) **CLAIM**

The ornamental design for a mobile phone, as shown and described.

**DESCRIPTION**

FIG. 1 is a perspective view of a mobile phone showing our new design;

FIG. 2 is a front view thereof;

FIG. 3 is a rear view thereof;

FIG. 4 is a left side view thereof;

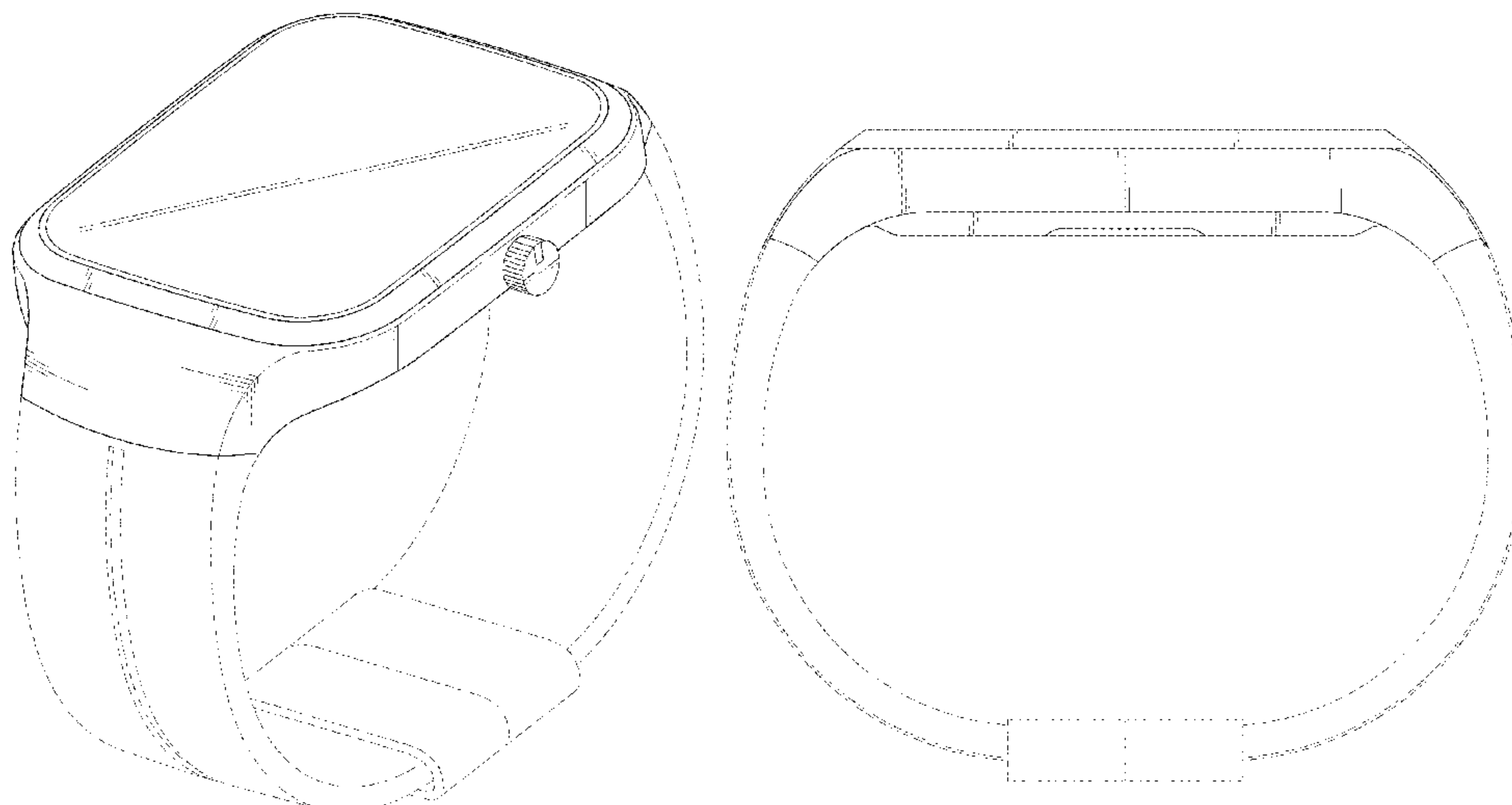
FIG. 5 is a right side view thereof;

FIG. 6 is a top plan view thereof; and,

FIG. 7 is a bottom plan view thereof.

The broken lines depict portions of the mobile phone that form no part of the claimed design.

**1 Claim, 7 Drawing Sheets**



(56)

## References Cited

## U.S. PATENT DOCUMENTS

- D294,010 S \* 2/1988 Bouchet ..... D10/30  
 4,985,878 A \* 1/1991 Yamada et al. .... 368/88  
 D317,730 S \* 6/1991 Mo ..... D11/5  
 5,050,138 A \* 9/1991 Yamada et al. .... 368/10  
 D331,020 S \* 11/1992 Ishii et al. .... D10/31  
 5,262,763 A \* 11/1993 Okuyama et al. .... 345/87  
 D342,208 S \* 12/1993 Tsukada et al. .... D10/30  
 D354,488 S \* 1/1995 Hutcheson ..... D14/192  
 D355,611 S \* 2/1995 Hanagata ..... D10/31  
 D356,151 S \* 3/1995 Ishii et al. .... D24/165  
 D361,042 S \* 8/1995 Nanayakkara ..... D10/31  
 D391,860 S \* 3/1998 Kubo ..... D10/30  
 5,812,498 A \* 9/1998 Teres ..... 368/10  
 D448,680 S \* 10/2001 Kubo ..... D10/30  
 D464,273 S \* 10/2002 Nussbaum ..... D10/30  
 6,678,535 B1 \* 1/2004 Narayanaswami ..... 455/557  
 D528,439 S \* 9/2006 Burton ..... D10/32  
 D528,441 S \* 9/2006 Burton ..... D10/38  
 D528,928 S \* 9/2006 Burton ..... D10/38  
 D539,176 S \* 3/2007 Lillegard et al. .... D10/39  
 D580,803 S \* 11/2008 Whittaker ..... D10/65  
 D584,170 S \* 1/2009 Morrison ..... D10/32  
 D589,375 S \* 3/2009 Tang ..... D10/32  
 D621,808 S \* 8/2010 Kim ..... D14/138 R  
 D628,498 S \* 12/2010 Arellano ..... D10/38  
 D632,192 S \* 2/2011 Jorst et al. .... D10/38  
 D636,686 S \* 4/2011 Cobbett et al. .... D10/38  
 D638,725 S \* 5/2011 Morrison ..... D10/39  
 D645,360 S \* 9/2011 Kiser et al. .... D10/32
- D655,631 S \* 3/2012 Rufenacht ..... D10/39  
 D660,726 S \* 5/2012 Register et al. .... D10/38  
 D664,868 S \* 8/2012 Armstrong ..... D10/38  
 D667,126 S \* 9/2012 Cho et al. .... D24/186  
 D672,667 S \* 12/2012 Mix ..... D10/65  
 D680,651 S \* 4/2013 Lumme et al. .... D24/167  
 D690,210 S \* 9/2013 Takahashi ..... D10/32  
 D693,251 S \* 11/2013 Anderssen et al. .... D10/70  
 8,620,395 B2 \* 12/2013 Kang et al. .... 455/575.1  
 D705,980 S \* 5/2014 Davidson et al. .... D26/118  
 D709,873 S \* 7/2014 Aumiller et al. .... D14/344  
 2009/0156255 A1 \* 6/2009 Shin et al. .... 455/558  
 2009/0201767 A1 \* 8/2009 Caldwell ..... 368/10  
 2010/0238033 A1 \* 9/2010 Blumel et al. .... 340/573.4  
 2013/0001263 A1 \* 1/2013 Kai ..... 224/219  
 2013/0222139 A1 \* 8/2013 Gouge et al. .... 340/573.1  
 2014/0028688 A1 \* 1/2014 Houjou et al. .... 345/520  
 2014/0172983 A1 \* 6/2014 Imamura ..... 709/204  
 2014/0208546 A1 \* 7/2014 Lee et al. .... 24/3.2

## OTHER PUBLICATIONS

Asus Zenwatch. digitaltrends.com [online] 2 pages. Uploaded Aug. 27, 2014 [retrieved on Oct. 9, 2014]. Retrieved from Internet: <<http://www.digitaltrends.com/mobile/asus-smartwatch-android-wear-news/>>.\*

S2 Bluetooth Smart Wrist Watch Mate. ebay.com [online] 5 pages. Uploaded Jun. 30, 2014 [retrieved on Oct. 9, 2014]. Retrieved from Internet: <<http://www.ebay.co.uk/itm/S2-Bluetooth-Smart-Wrist-Watch-Phone-Mate-For-iPhone-Samsung-HTC-LG-Sony-Nokia-/371085960101>>.\*

\* cited by examiner

FIG. 1

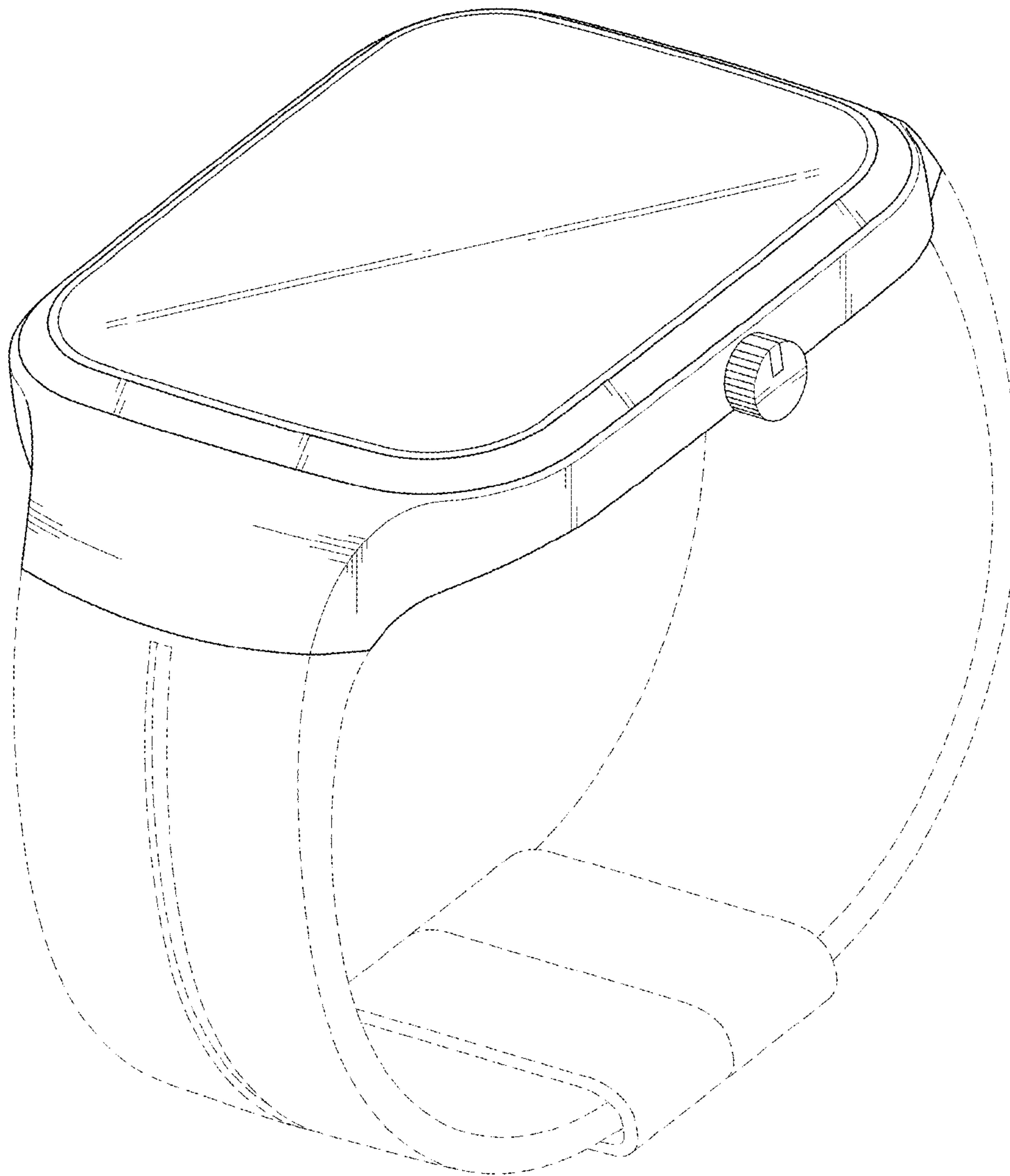


FIG. 2

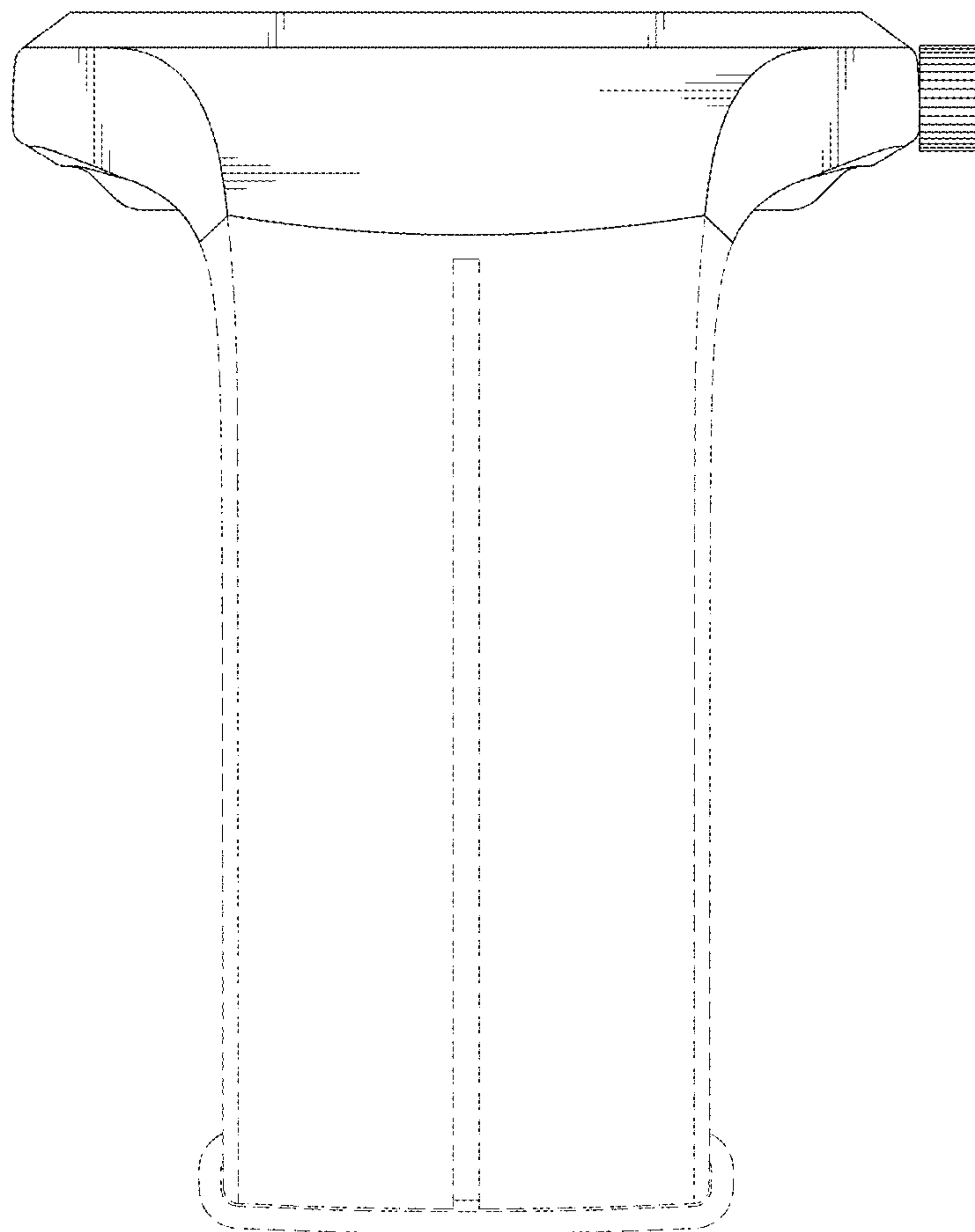


FIG. 3

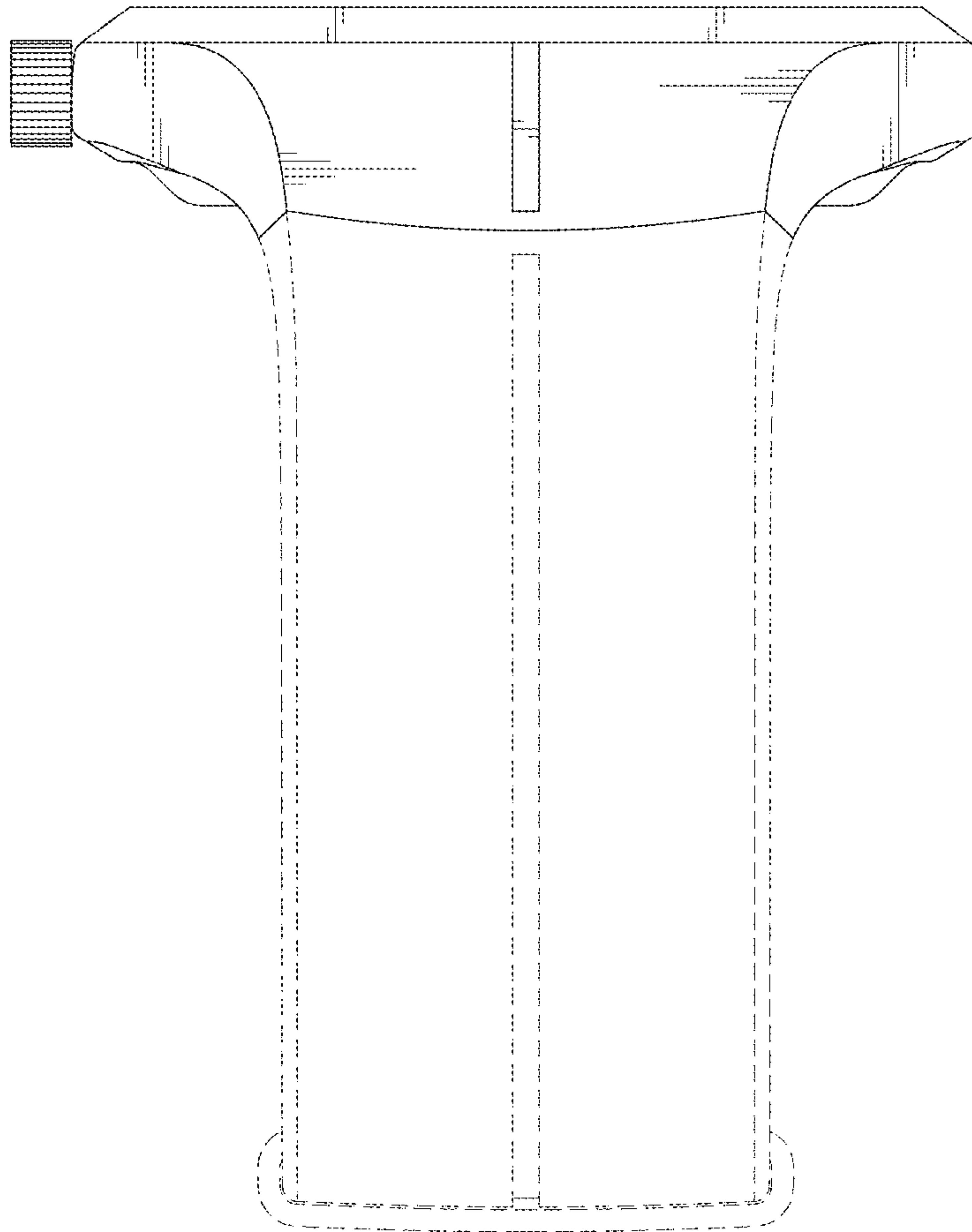




FIG. 4

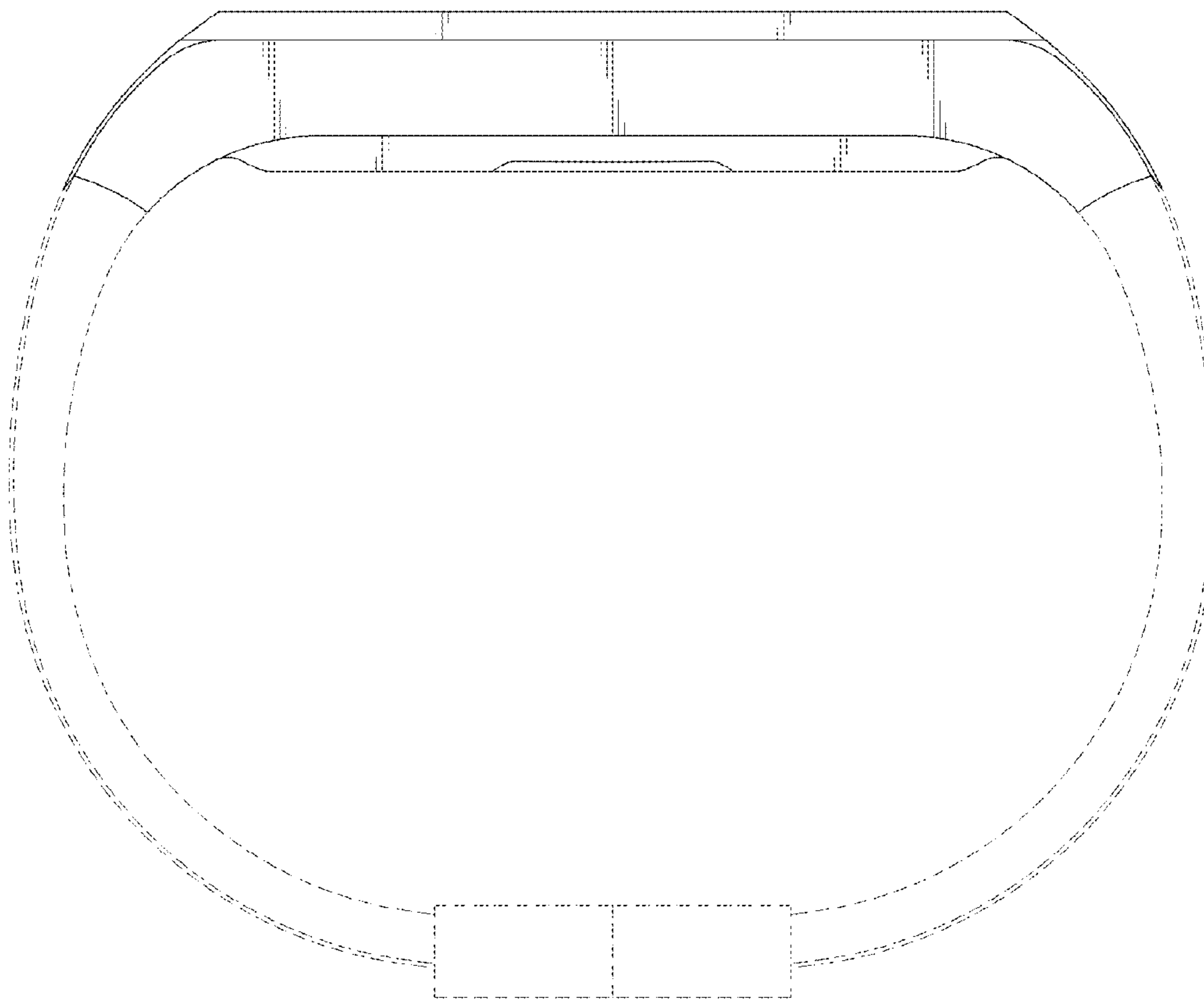


FIG. 5

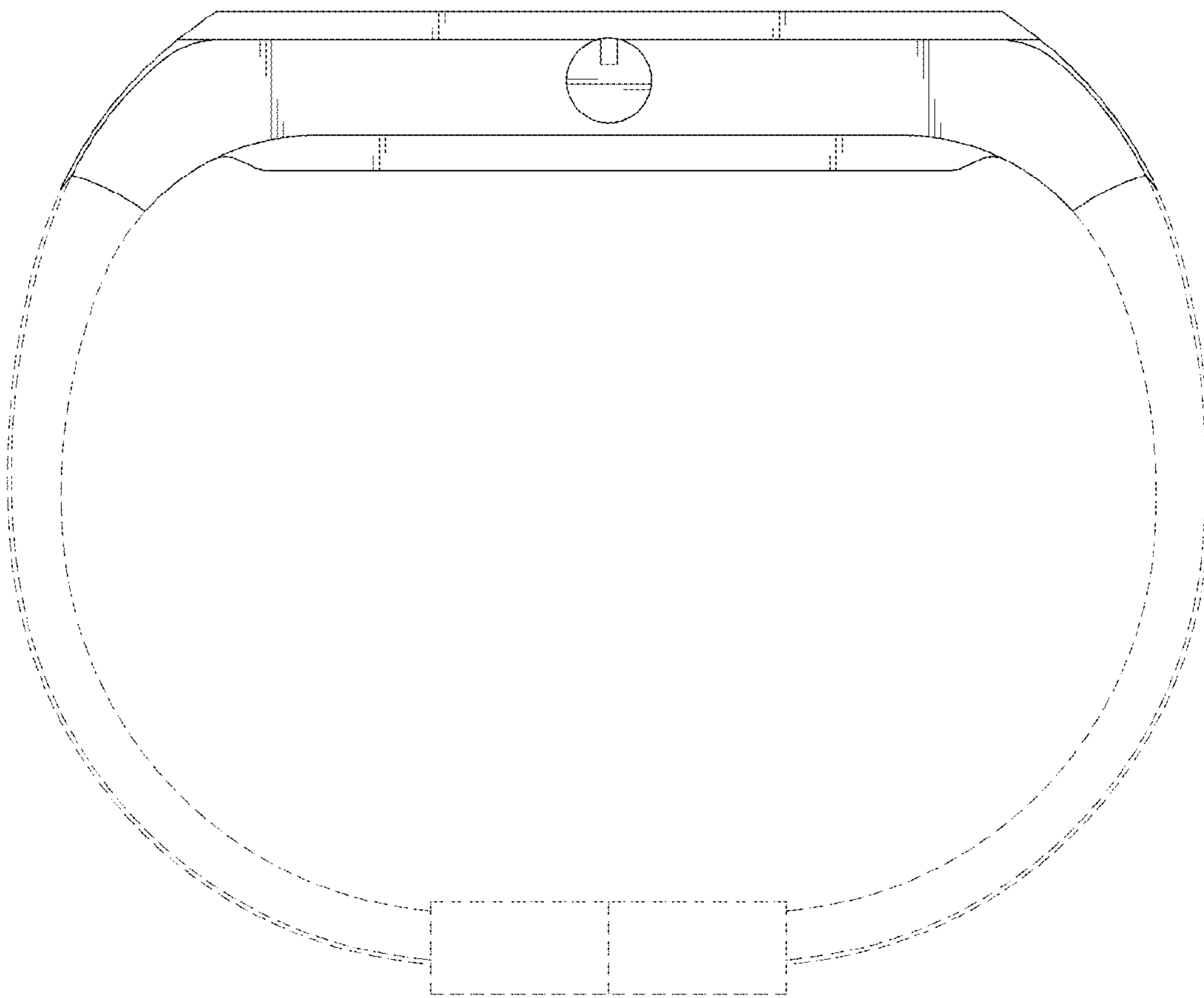


FIG. 6

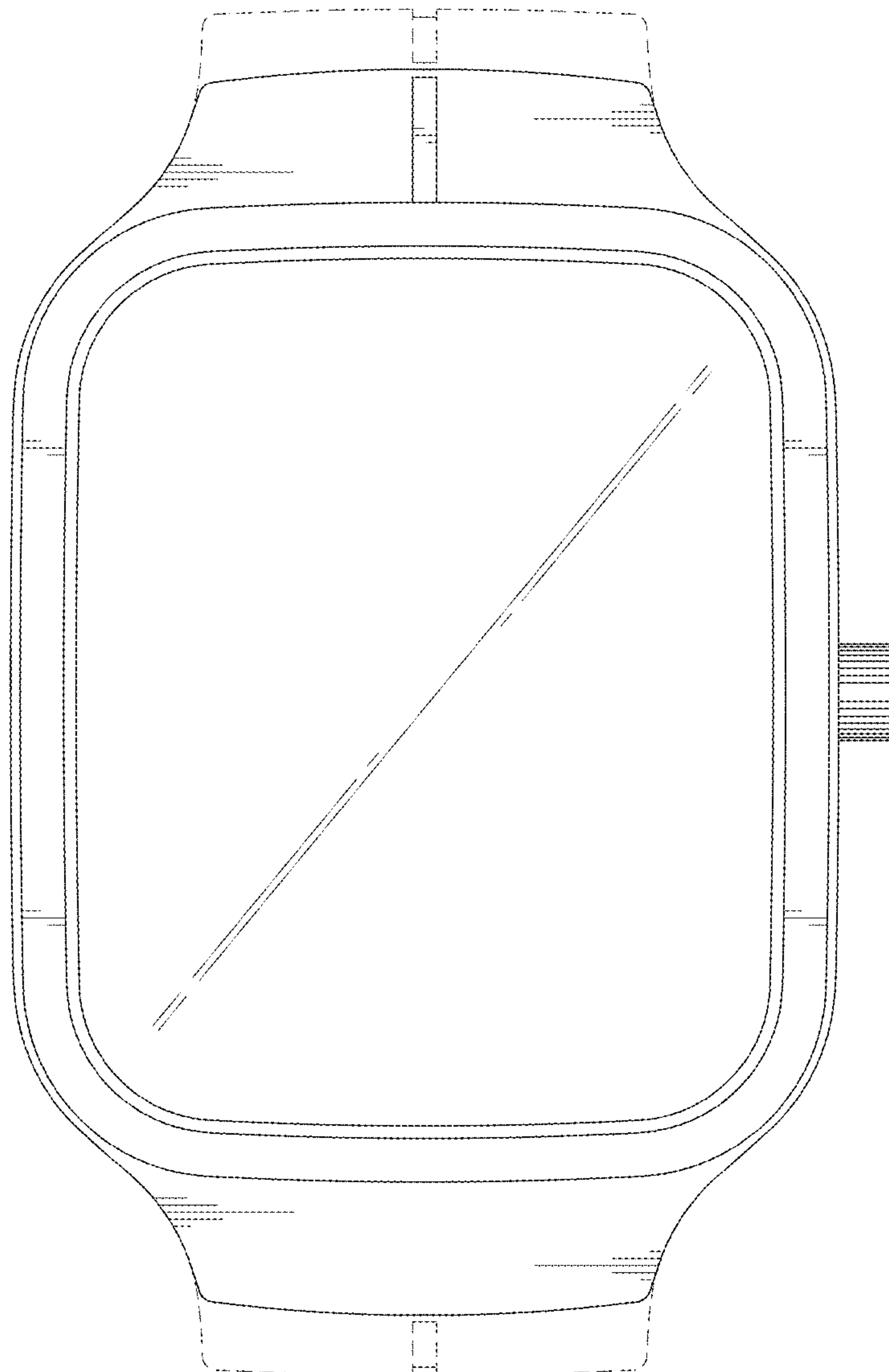




FIG. 7

