

US00D719122S

(12) **United States Design Patent**  
**Ookawa et al.**

(10) **Patent No.:** **US D719,122 S**  
(45) **Date of Patent:** **\*\* Dec. 9, 2014**

(54) **MOBILE PHONE**

(71) Applicant: **Panasonic Corporation**, Osaka (JP)

(72) Inventors: **Takayuki Ookawa**, Osaka (JP); **Atsushi Noda**, Osaka (JP)

(73) Assignee: **Panasonic Corporation**, Osaka (JP)

(\*\*) Term: **14 Years**

(21) Appl. No.: **29/471,754**

(22) Filed: **Nov. 5, 2013**

(30) **Foreign Application Priority Data**

May 7, 2013 (CN) ..... 2013 3 0160622

(51) **LOC (10) Cl.** ..... **14-03**

(52) **U.S. Cl.**  
USPC ..... **D14/138 G; D14/147**

(58) **Field of Classification Search**

CPC ..... H04M 1/02; H04M 1/0202-1/035;  
H04M 1/0235; H04M 1/0237; H04M 1/0239;  
H04M 2250/22; H04M 1/03; H04M 1/23;  
H04M 1/72519; G06F 1/1626  
USPC ..... D14/138 G, 138 AD, 138 R, 496, 203.1,  
D14/203.3, 203.5, 203.7, 248, 218, 341,  
D14/138 AC, 147, 148; 455/575.1, 556.1,  
455/556.2, 575.3, 575.4, 566; D21/517,  
D21/329, 331; 379/433.01, 433.04;  
D13/168; 361/679.3, 679.56; D10/65,  
D10/78

See application file for complete search history.

(56) **References Cited**

**U.S. PATENT DOCUMENTS**

D561,148 S \* 2/2008 Chen et al. .... D14/138 AD  
D606,506 S \* 12/2009 Choi et al. .... D14/138 AD  
D618,677 S 6/2010 Andre et al.

D626,937 S \* 11/2010 Yeo et al. .... D14/203.7  
D633,461 S \* 3/2011 Kim et al. .... D14/138 AD  
D645,013 S \* 9/2011 Lee et al. .... D14/138 AB  
D645,017 S \* 9/2011 Kim et al. .... D14/138 G  
D652,812 S \* 1/2012 Kim ..... D14/138 G  
D653,641 S \* 2/2012 Chen ..... D14/138 G  
D653,645 S \* 2/2012 Park ..... D14/138 G  
D658,617 S \* 5/2012 Koh ..... D14/138 AD  
D663,287 S \* 7/2012 Kim et al. .... D14/218  
D669,054 S \* 10/2012 Han ..... D14/138 G  
D669,446 S \* 10/2012 Cho ..... D14/138 G  
D676,399 S 2/2013 Cho  
D676,402 S \* 2/2013 Han ..... D14/138 G  
D676,821 S \* 2/2013 Jeong ..... D14/138 G

(Continued)

**OTHER PUBLICATIONS**

Samsung Star 3 Duos S5222 telephone, announced Jan. 2012, [online], [site visited Oct. 14, 2014]. Available from Internet, <URL: [http://www.gsmarena.com/samsung\\_star\\_3\\_duos\\_s5222-4447.php](http://www.gsmarena.com/samsung_star_3_duos_s5222-4447.php)>.\*

(Continued)

*Primary Examiner* — Jeffrey D Asch

(74) *Attorney, Agent, or Firm* — Panasonic Patent Center

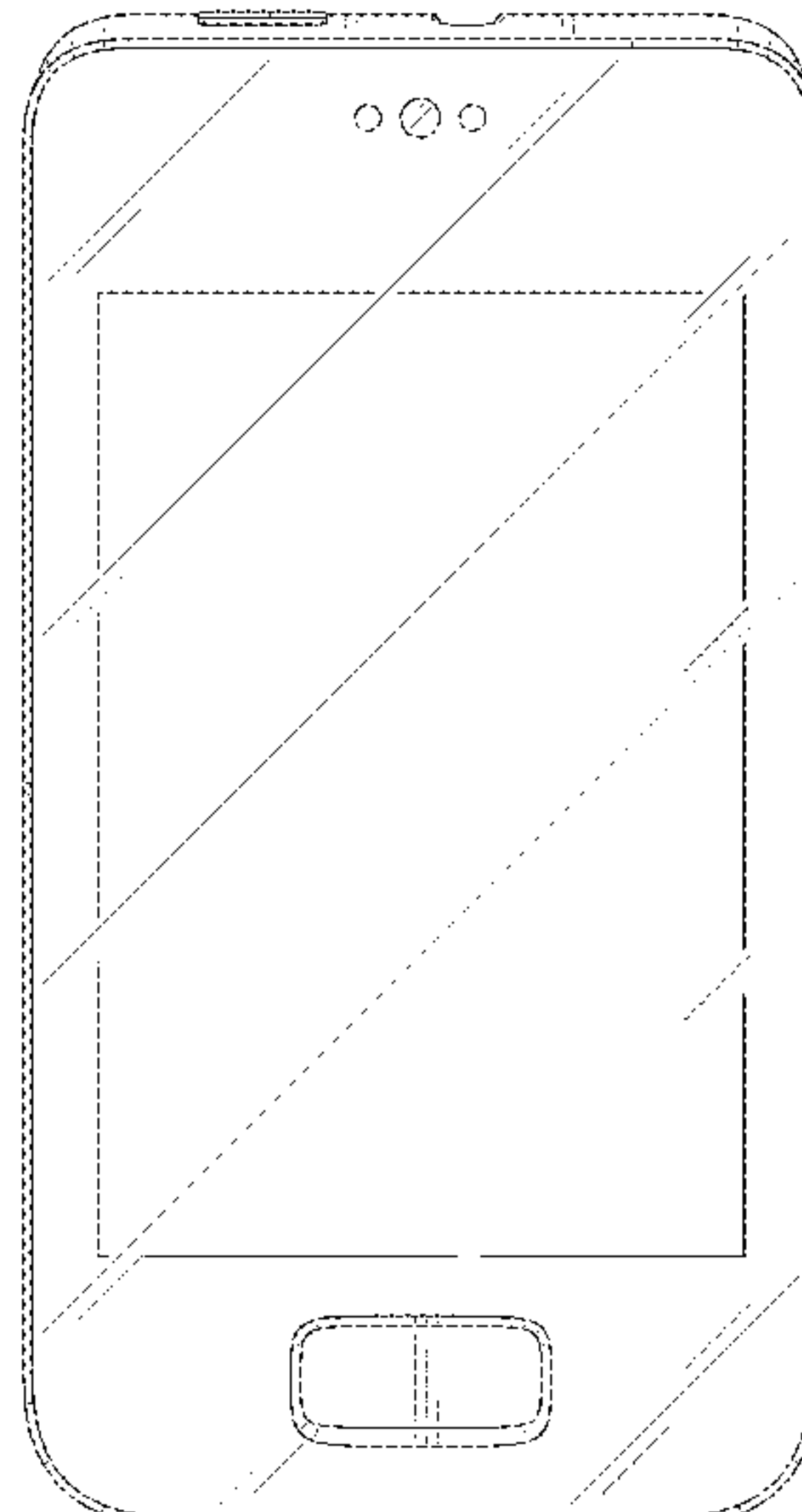
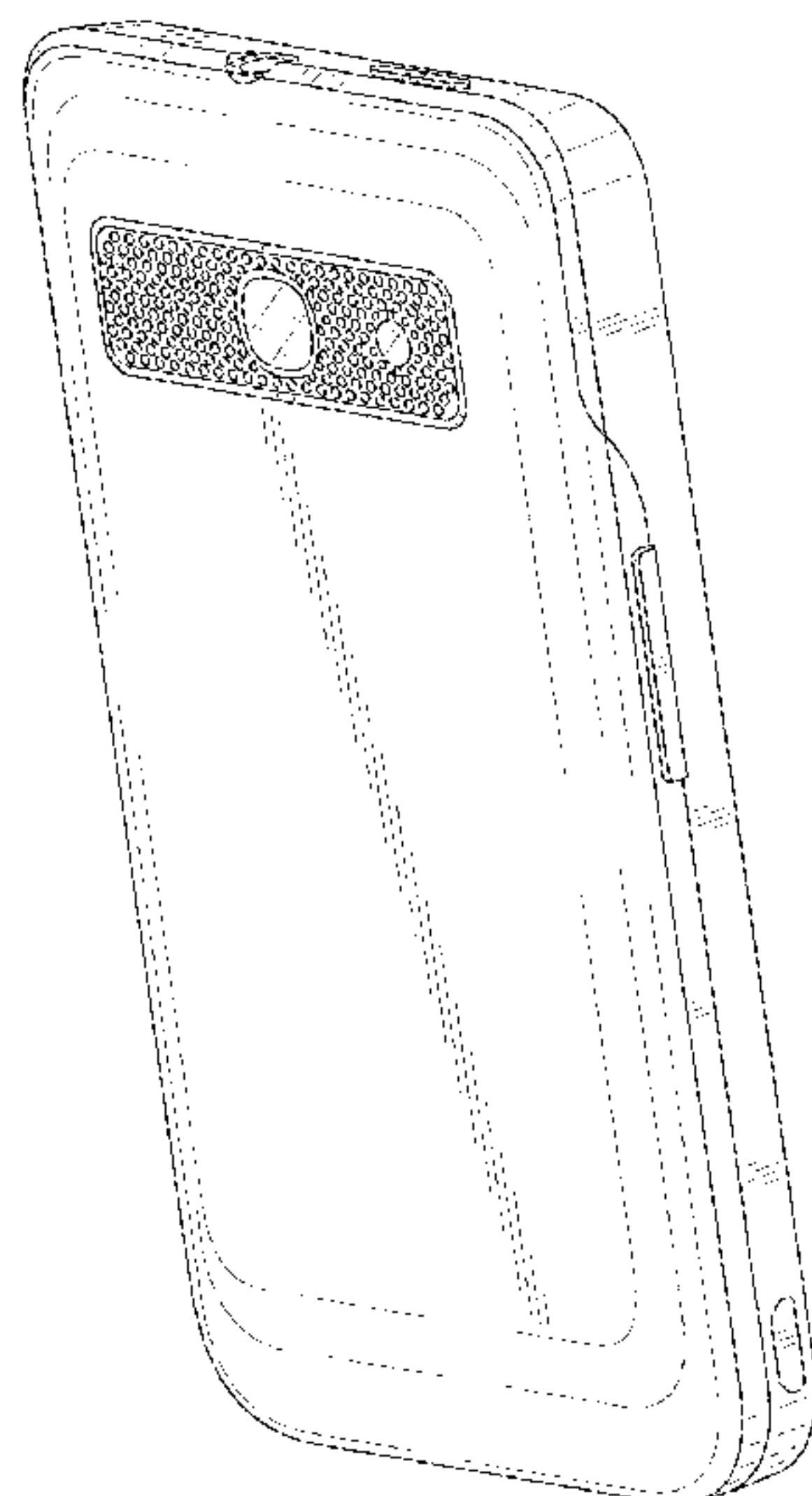
(57) **CLAIM**

We claim the ornamental design for a mobile phone, as shown and described.

**DESCRIPTION**

FIG. 1 is a front perspective view of a mobile phone of the present invention;  
FIG. 2 is a rear perspective view thereof;  
FIG. 3 is a front view thereof;  
FIG. 4 is a rear view thereof;  
FIG. 5 is a left side view thereof;  
FIG. 6 is a right side view thereof;  
FIG. 7 is a top view thereof; and,  
FIG. 8 is a bottom view thereof.

**1 Claim, 8 Drawing Sheets**



(56)

References Cited

U.S. PATENT DOCUMENTS

D676,822	S	2/2013	Seo et al.	
D676,824	S *	2/2013	Lee .....	D14/138 G
D678,231	S *	3/2013	Kim .....	D14/138 G
D678,234	S *	3/2013	Chung .....	D14/138 G
D681,588	S *	5/2013	Jeong .....	D14/138 G
D681,594	S *	5/2013	Hong .....	D14/138 G
D686,177	S *	7/2013	Lee .....	D14/138 G
D689,456	S *	9/2013	Lee .....	D14/138 G
D689,839	S	9/2013	Kim	
D690,279	S *	9/2013	Lee .....	D14/138 G
D690,298	S *	9/2013	Andre et al. ....	D14/341
D691,577	S *	10/2013	Kim .....	D14/138 G
D693,324	S *	11/2013	Wang .....	D14/138 G
D696,214	S *	12/2013	Kim .....	D14/138 G
D696,639	S *	12/2013	Ichinose et al. ....	D14/138 G
D701,190	S *	3/2014	Lee .....	D14/138 G
2009/0052654	A1 *	2/2009	Hyun et al. ....	379/433.11
2014/0106676	A1 *	4/2014	Yarger et al. ....	455/41.2
2014/0179370	A1 *	6/2014	Dave et al. ....	455/556.1

OTHER PUBLICATIONS

Samsung Galaxy Ace Duos I589 telephone, announced Feb. 2012, [online], [site visited Oct. 14, 2014]. Available from Internet, <URL: [http://www.gsmarena.com/samsung\\_galaxy\\_ace\\_duos\\_i589-4548.php](http://www.gsmarena.com/samsung_galaxy_ace_duos_i589-4548.php)>.\*

Samsung Wave M S7250 telephone, announced Aug. 2011, [online], [site visited Oct. 14, 2014]. Available from Internet, <URL: [http://www.gsmarena.com/samsung\\_wave\\_m\\_s7250-4054.php](http://www.gsmarena.com/samsung_wave_m_s7250-4054.php)>.\*

Huawei G7300 telephone, announced Nov. 2011, [online], [site visited Oct. 14, 2014]. Available from Internet, <URL: [http://www.gsmarena.com/huawei\\_g7300-4335.php](http://www.gsmarena.com/huawei_g7300-4335.php)>.\*

LG Enact VS890 telephone, announced Aug. 2013, [online], [site visited Oct. 14, 2014]. Available from Internet, <URL: [http://www.gsmarena.com/lg\\_enact\\_vs890-5649.php](http://www.gsmarena.com/lg_enact_vs890-5649.php)>.\*

Panasonic KX-PRX120 cordless home phone runs Android Ice Cream Sandwich, posted Jul. 30, 2013, by Brittany Hillen, [online], [site visited Oct. 15, 2014]. Available from Internet, <URL: <http://www.slashgear.com/panasonic-kx-prx120-cordless-home-phone-runs-android-ice-cream-sandwich-30292258/>>.\*

\* cited by examiner

FIG. 1

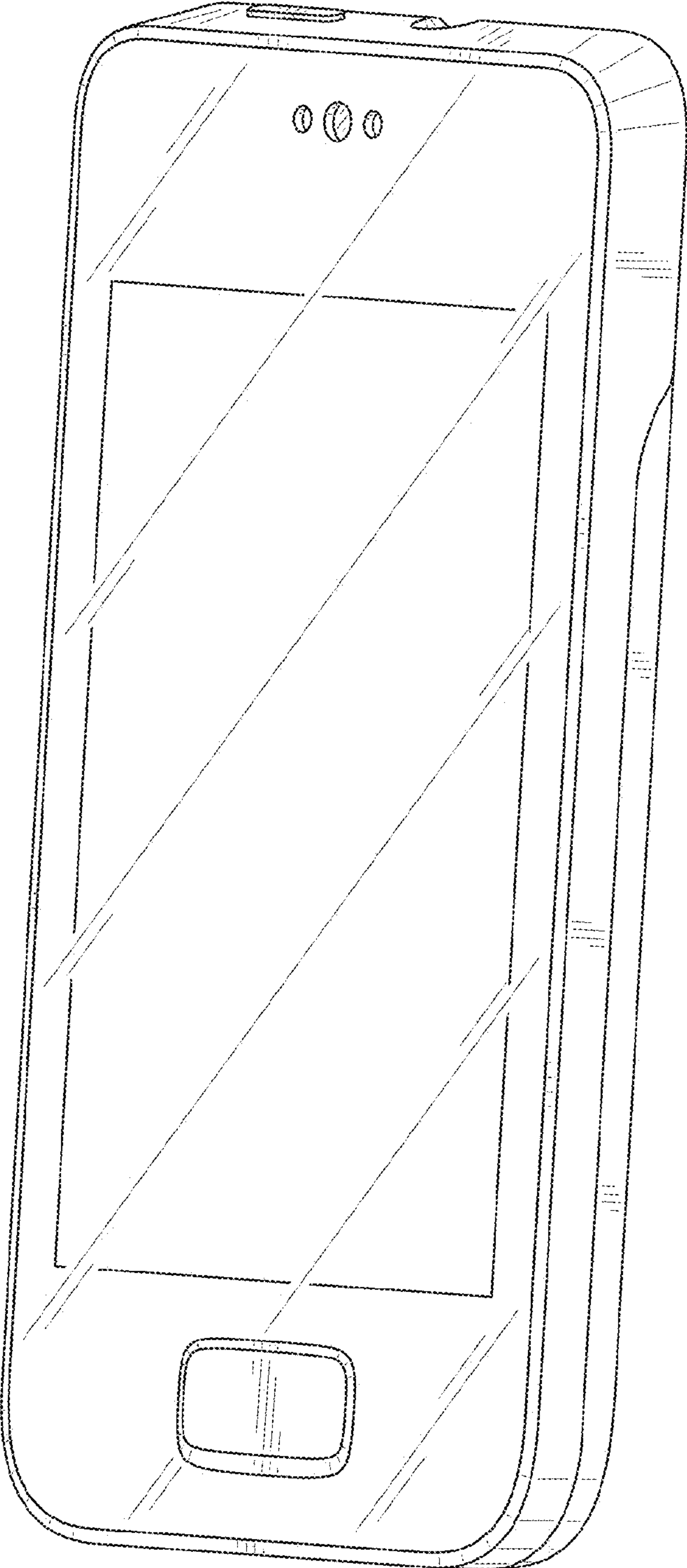


FIG. 2

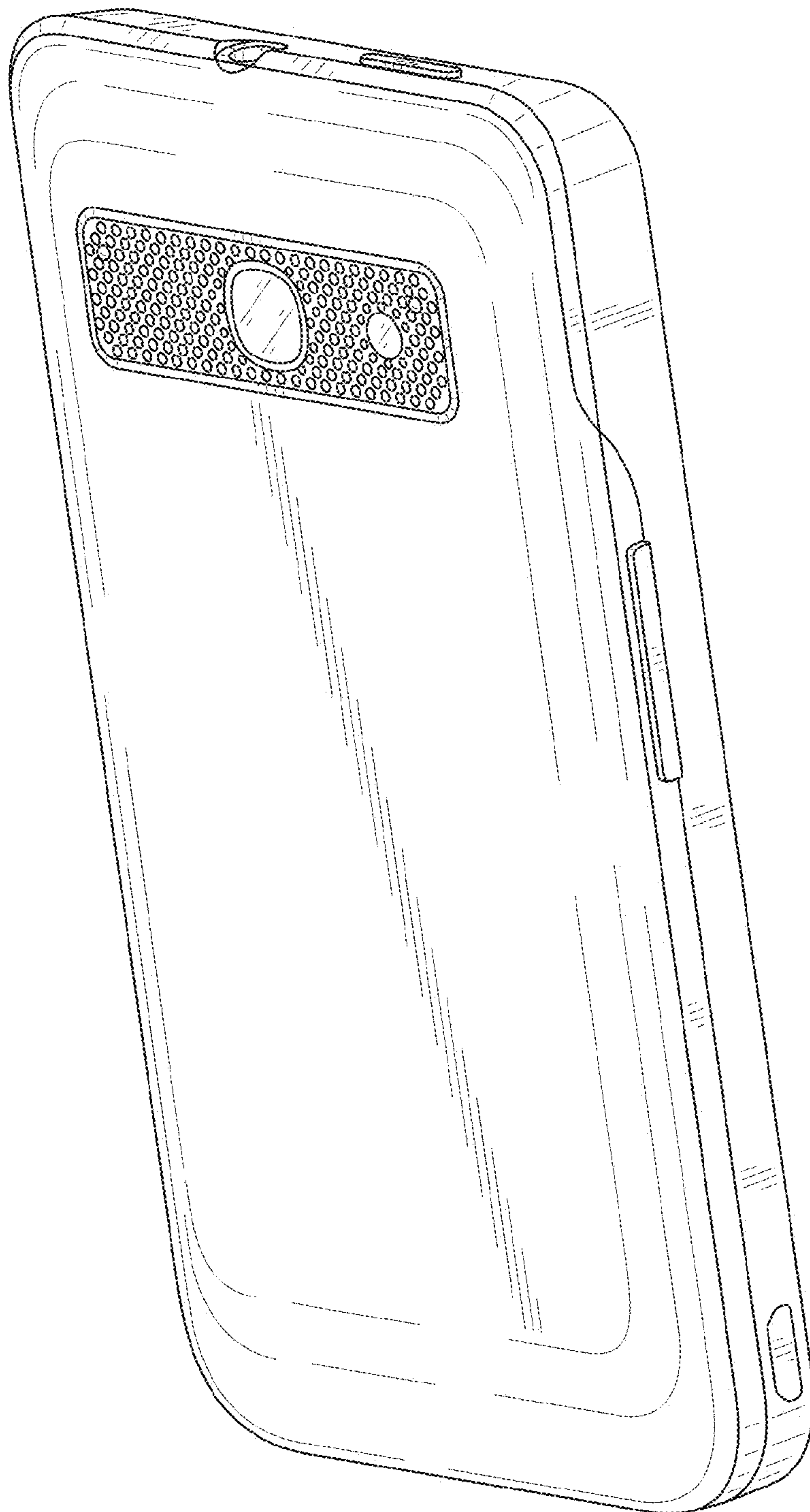




FIG. 3

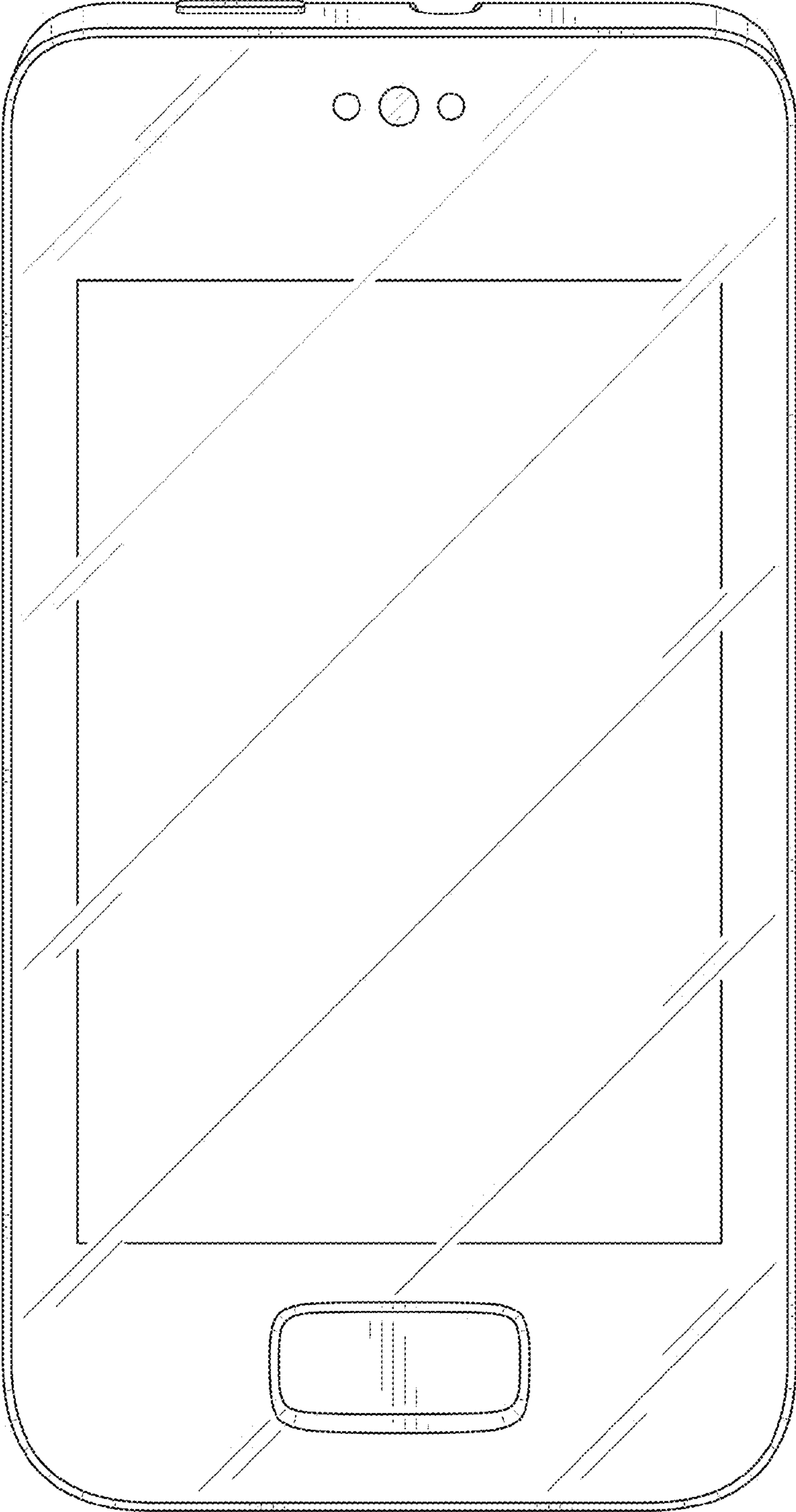


FIG. 4

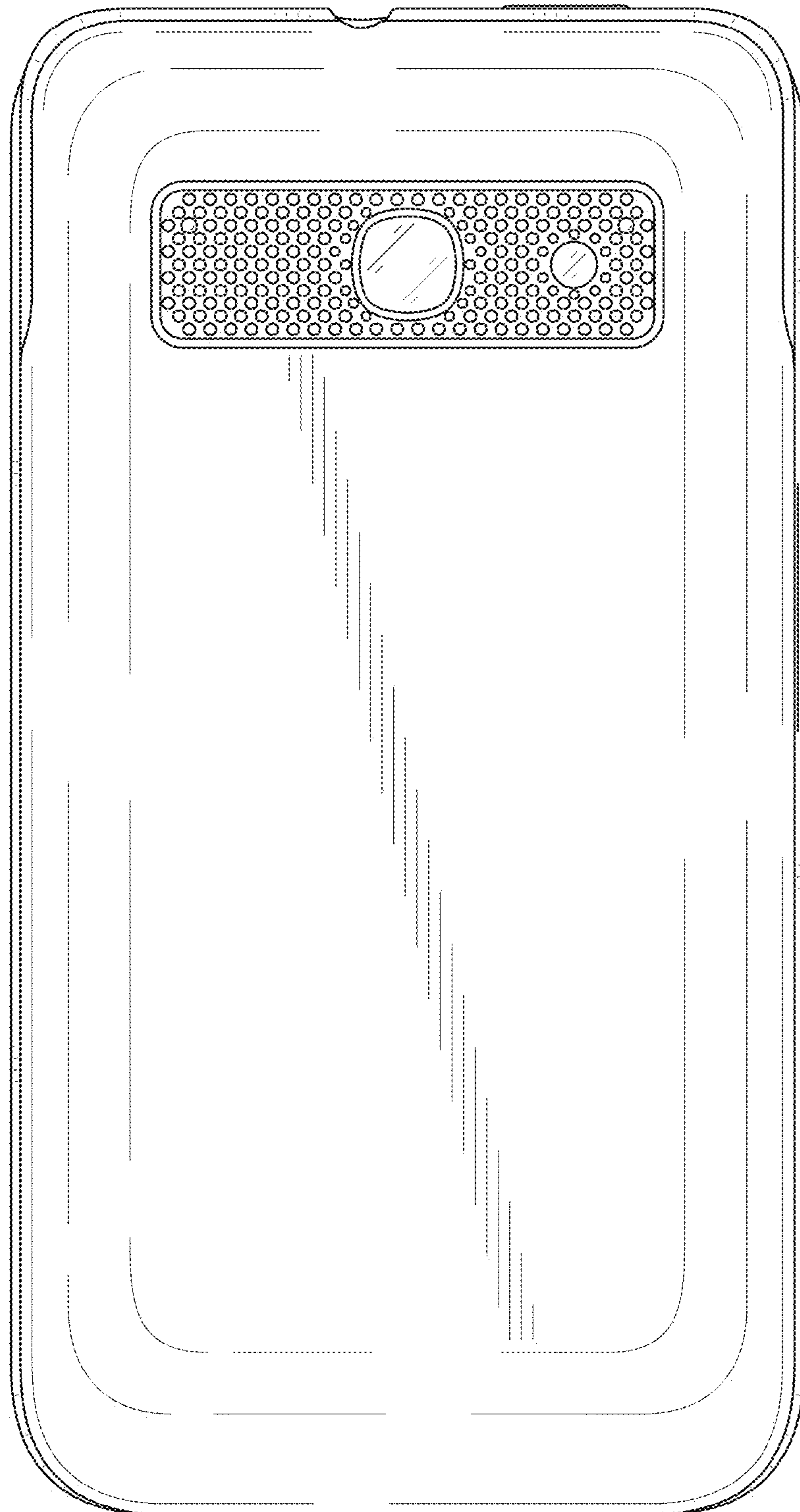


FIG. 5

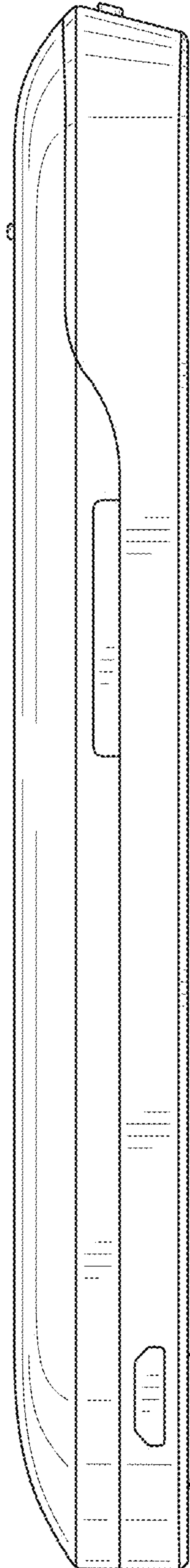


FIG. 6

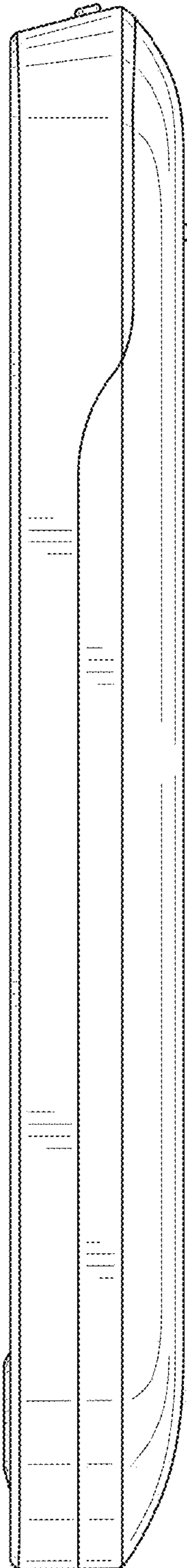




FIG. 7

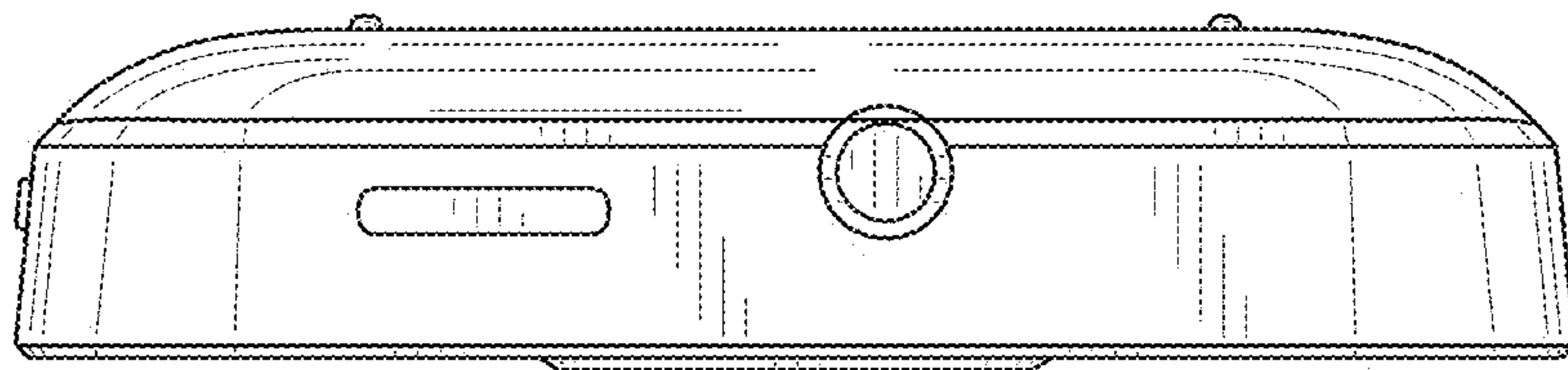


FIG. 8

