



US00D719119S

(12) **United States Design Patent**  
**Park et al.**

(10) **Patent No.:** **US D719,119 S**

(45) **Date of Patent:** **\*\* Dec. 9, 2014**

(54) **TV RECEIVER**

(56) **References Cited**

(71) Applicant: **LG Electronics Inc.**, Seoul (KR)

U.S. PATENT DOCUMENTS

(72) Inventors: **Misun Park**, Seoul (KR); **Hyoungrak Son**, Seoul (KR); **Jeongha Kim**, Seoul (KR); **Heewon Yu**, Seoul (KR)

D489,342	S	*	5/2004	Campbell et al.	.....	D14/130
D528,517	S	*	9/2006	Izumi	.....	D14/126
D528,518	S	*	9/2006	Kim	.....	D14/126
D543,960	S	*	6/2007	Bloem	.....	D14/126
D579,426	S	*	10/2008	Kim et al.	.....	D14/126
D610,104	S	*	2/2010	Yamaguchi et al.	.....	D14/126
D629,372	S	*	12/2010	Lim et al.	.....	D14/126
D643,002	S	*	8/2011	Choi et al.	.....	D14/126
D680,106	S	*	4/2013	Hwangbo et al.	.....	D14/239
D700,187	S	*	2/2014	Lee	.....	D14/451
D703,168	S	*	4/2014	Won et al.	.....	D14/126
D708,596	S	*	7/2014	Park	.....	D14/126

(73) Assignee: **LG Electronics Inc.**, Seoul (KR)

(\*\*) Term: **14 Years**

(21) Appl. No.: **29/495,560**

(22) Filed: **Jul. 2, 2014**

\* cited by examiner

(30) **Foreign Application Priority Data**

Jan. 6, 2014 (KR) ..... 30-2014-0000755

(51) **LOC (10) Cl.** ..... **14-03**

(52) **U.S. Cl.**  
USPC ..... **D14/126**

(58) **Field of Classification Search**  
CPC ... G06F 1/1601; G06F 1/1643; H05K 5/0004;  
H05K 5/0017; H05K 5/02; H05K 5/0217  
USPC ..... D14/125-134, 239, 371, 136, 374-377,  
D14/440, 450, 448, 336, 342, 159; 312/7.2;  
348/836, 838, 180, 184, 325, 739;  
248/917-924, 465; 345/104, 133, 156,  
345/168, 87, 173; D21/329, 515, 577, 622,  
D21/333, 433, 448, 452, 450, 331, 505;  
D10/15, 26; 446/484, 175, 356;  
D6/477, 479, 300

See application file for complete search history.

*Primary Examiner* — Raphael Barkai  
(74) *Attorney, Agent, or Firm* — Morgan, Lewis & Bockius LLP

(57) **CLAIM**  
The ornamental design for a TV receiver, as shown and described.

**DESCRIPTION**

FIG. 1 is a front, right side, perspective view of a TV receiver showing our new design;  
FIG. 2 is a front view thereof;  
FIG. 3 is a rear view thereof;  
FIG. 4 is a left side view thereof;  
FIG. 5 is a right side view thereof;  
FIG. 6 is a top view thereof; and,  
FIG. 7 is a bottom view thereof.

**1 Claim, 4 Drawing Sheets**

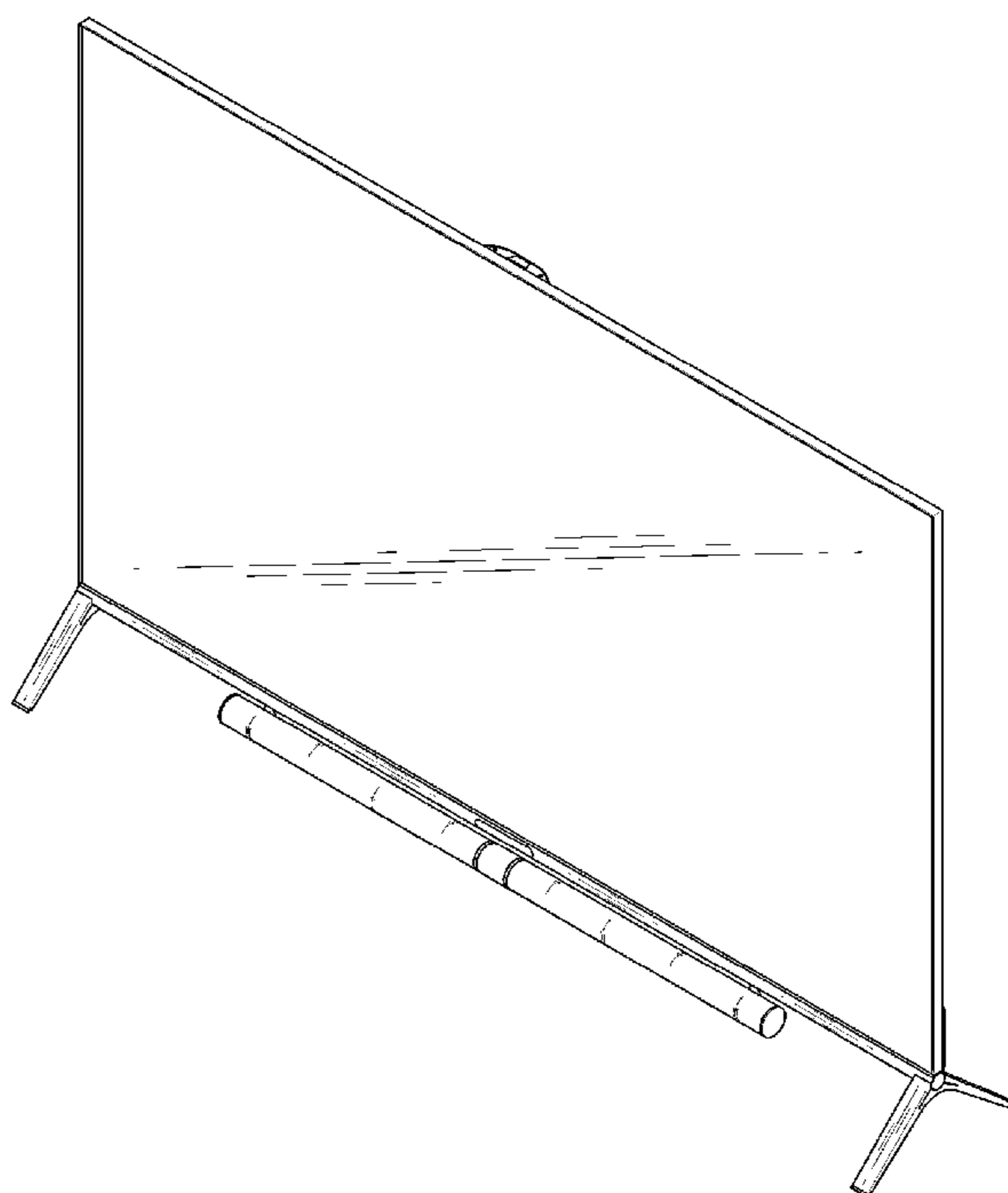


FIG. 1

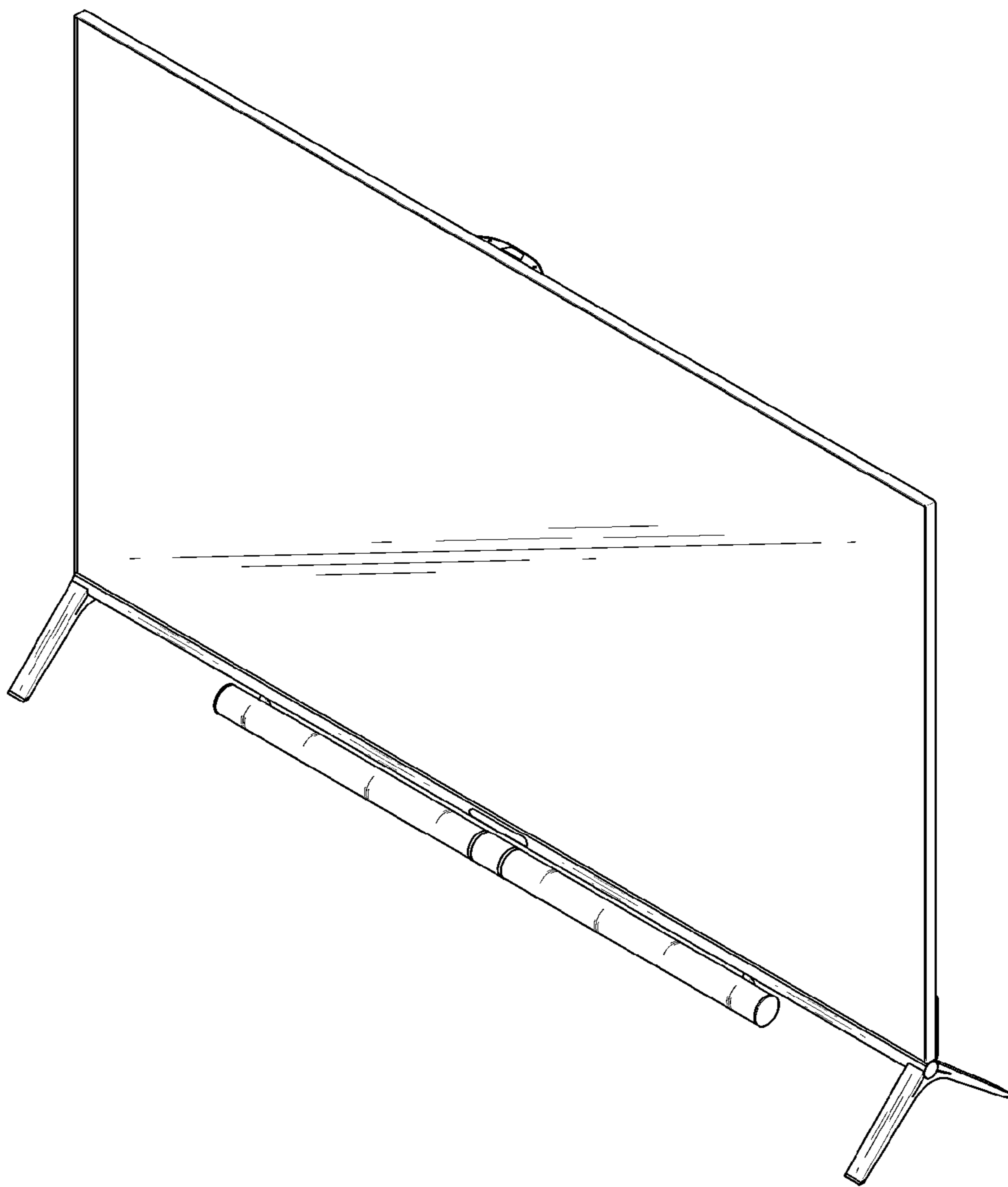


FIG. 2

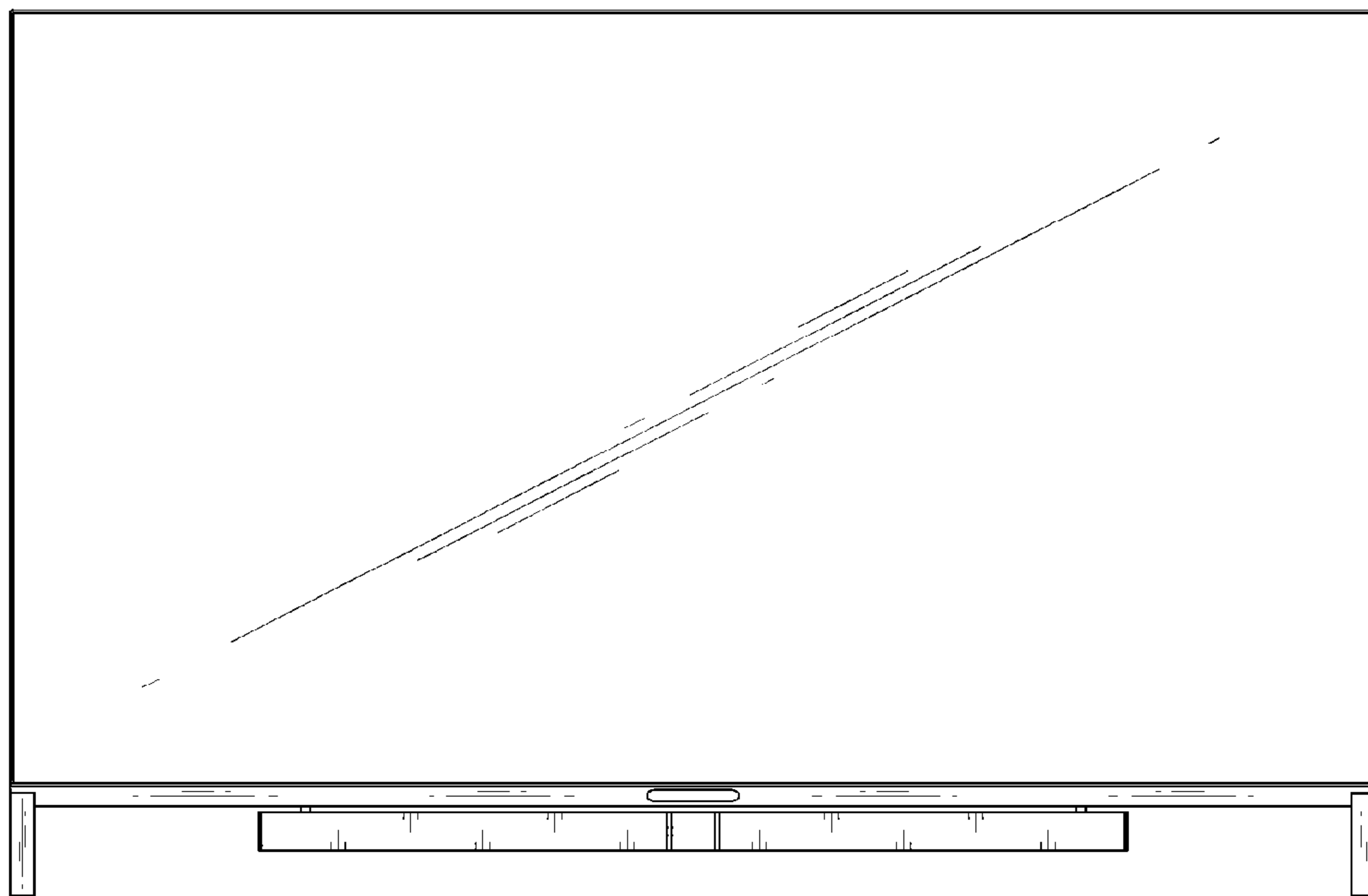


FIG. 3

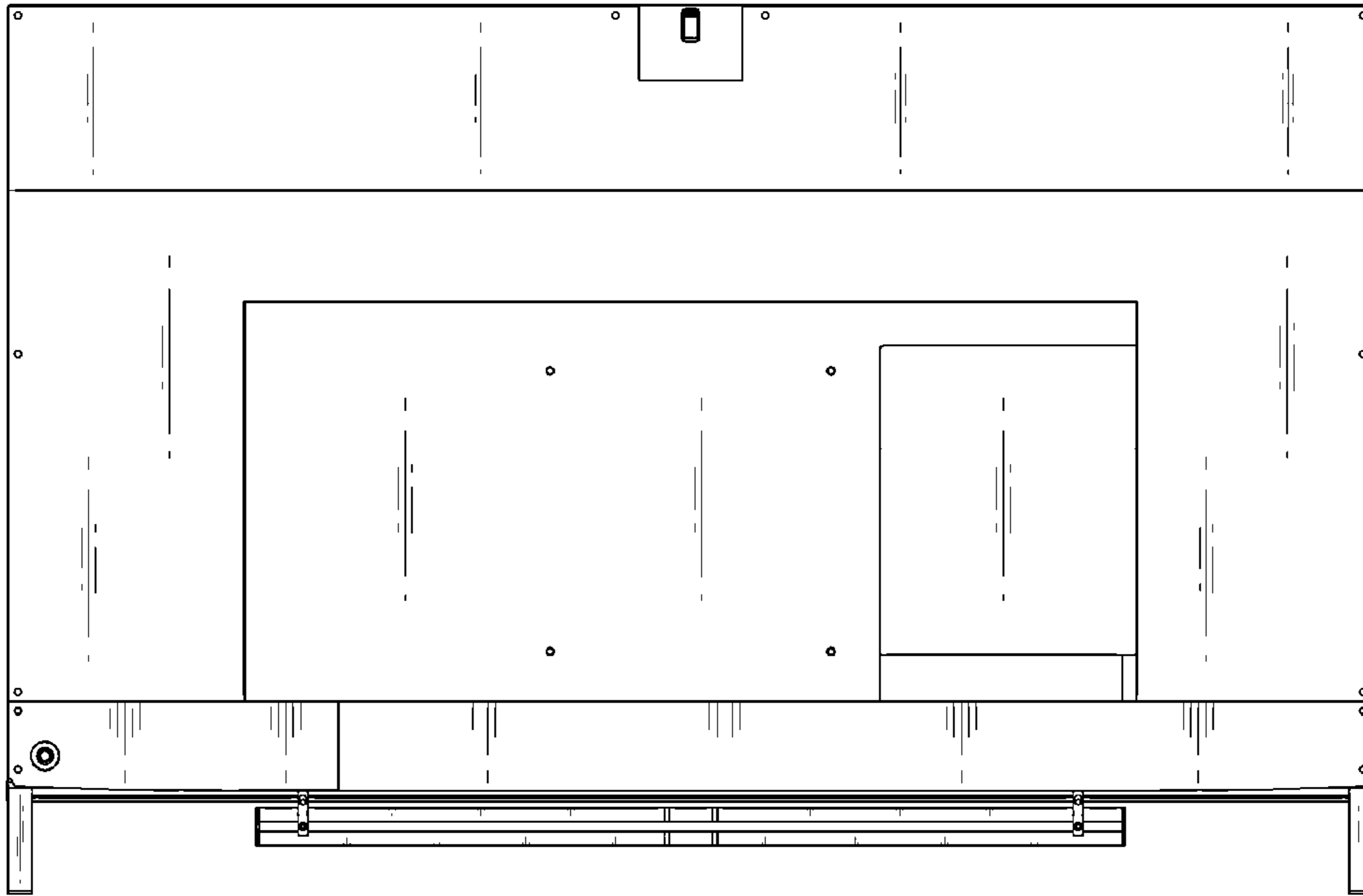


FIG. 4

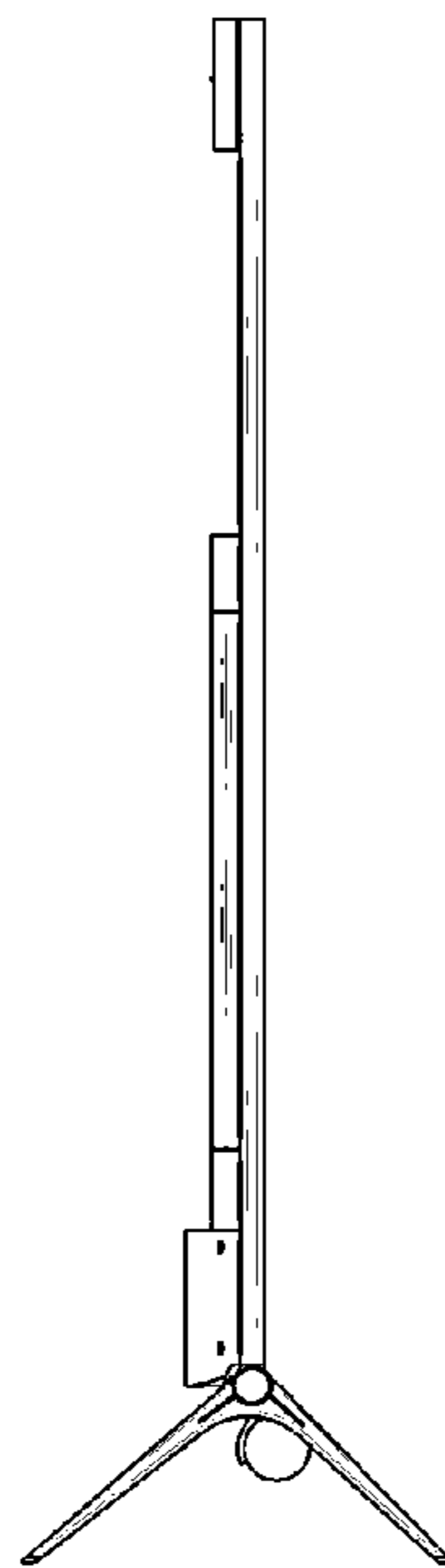


FIG. 5

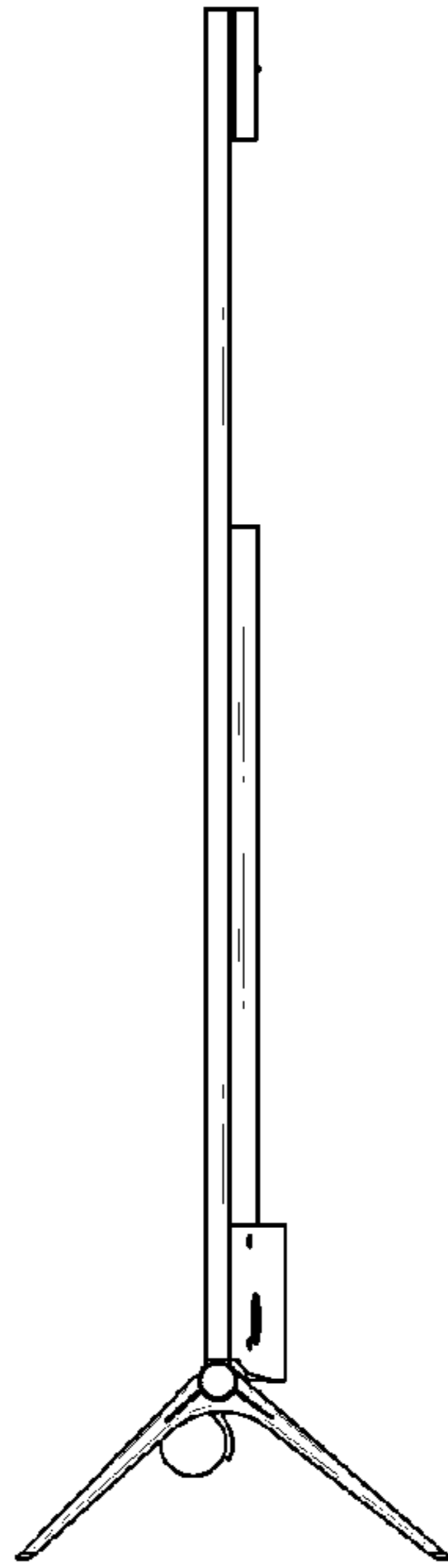


FIG. 6

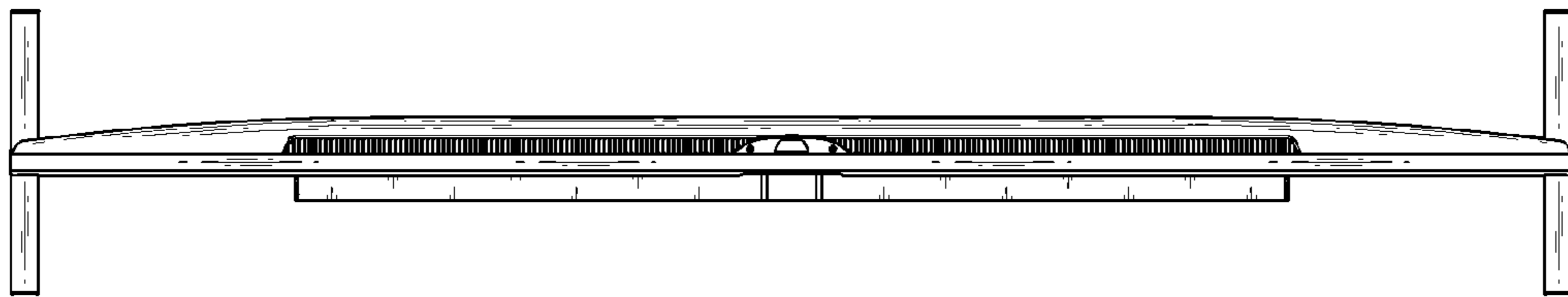


FIG. 7

