



US00D719115S

(12) **United States Design Patent**
Liu et al.

(10) **Patent No.:** **US D719,115 S**
(45) **Date of Patent:** **** Dec. 9, 2014**

(54) **HOUSING FOR AN ELECTRONIC DEVICE**

(56) **References Cited**

(71) Applicants: **Shixi Louis Liu**, Worcester, MA (US);
Hariato Wong, Southborough, MA
(US); **Paul David**, Bow, NH (US); **John**
B. Sauber, Millbury, MA (US); **Shaun**
D. Milano, Dunbarton, NH (US);
Raguvir Kanda, North Attleboro, MA
(US); **Bruce Hemenway**, Milford, MA
(US)

U.S. PATENT DOCUMENTS

D304,929	S	*	12/1989	Bench et al.	D13/162
D416,232	S	*	11/1999	Einck	D13/152
D431,527	S	*	10/2000	Nishio et al.	D13/123
D440,935	S	*	4/2001	Stanfield et al.	D13/107
D532,758	S	*	11/2006	Shimodaira et al.	D13/184
D536,670	S	*	2/2007	Mahoney	D13/151
D561,705	S	*	2/2008	Tsuduki	D13/171
D613,253	S	*	4/2010	Yamanaka	D13/158
D660,261	S	*	5/2012	Huang et al.	D13/184
D664,930	S	*	8/2012	Wu	D13/159
D697,033	S	*	1/2014	Hashimoto et al.	D13/159
2011/0133732	A1	*	6/2011	Sauber	324/251

(72) Inventors: **Shixi Louis Liu**, Worcester, MA (US);
Hariato Wong, Southborough, MA
(US); **Paul David**, Bow, NH (US); **John**
B. Sauber, Millbury, MA (US); **Shaun**
D. Milano, Dunbarton, NH (US);
Raguvir Kanda, North Attleboro, MA
(US); **Bruce Hemenway**, Milford, MA
(US)

* cited by examiner

Primary Examiner — Thomas Johannes

Assistant Examiner — Shawn T Gingrich

(74) *Attorney, Agent, or Firm* — Daly, Crowley, Mofford &
Durkee, LLP

(73) Assignee: **Allegro Microsystems, LLC**, Worcester,
MA (US)

(**) Term: **14 Years**

(57) **CLAIM**

The ornamental design for a housing for an electronic device,
as shown.

(21) Appl. No.: **29/449,441**

DESCRIPTION

(22) Filed: **Mar. 15, 2013**

(51) **LOC (10) Cl.** **13-03**

(52) **U.S. Cl.**
USPC **D13/184**; D13/147

(58) **Field of Classification Search**
CPC ... H01H 50/047; H01H 50/048; H01H 50/32;
H01H 50/02; H01H 50/04; H01H 50/16
USPC D13/103, 104, 110, 112, 123, 128, 130,
D13/133, 139.1, 139.3, 158-161, 164, 184,
D13/199; 335/202; 361/632, 819; 200/295;
257/427; 439/606, 620,
439/620.27-620.29, 638

FIG. 1 is a front-side, top and left-side perspective view of an
embodiment of a housing for an electronic device showing
our new design;

FIG. 2 is a front-side, bottom and right-side perspective view
thereof;

FIG. 3 is a top view thereof;

FIG. 4 is a bottom view thereof;

FIG. 5 is a right-side view thereof;

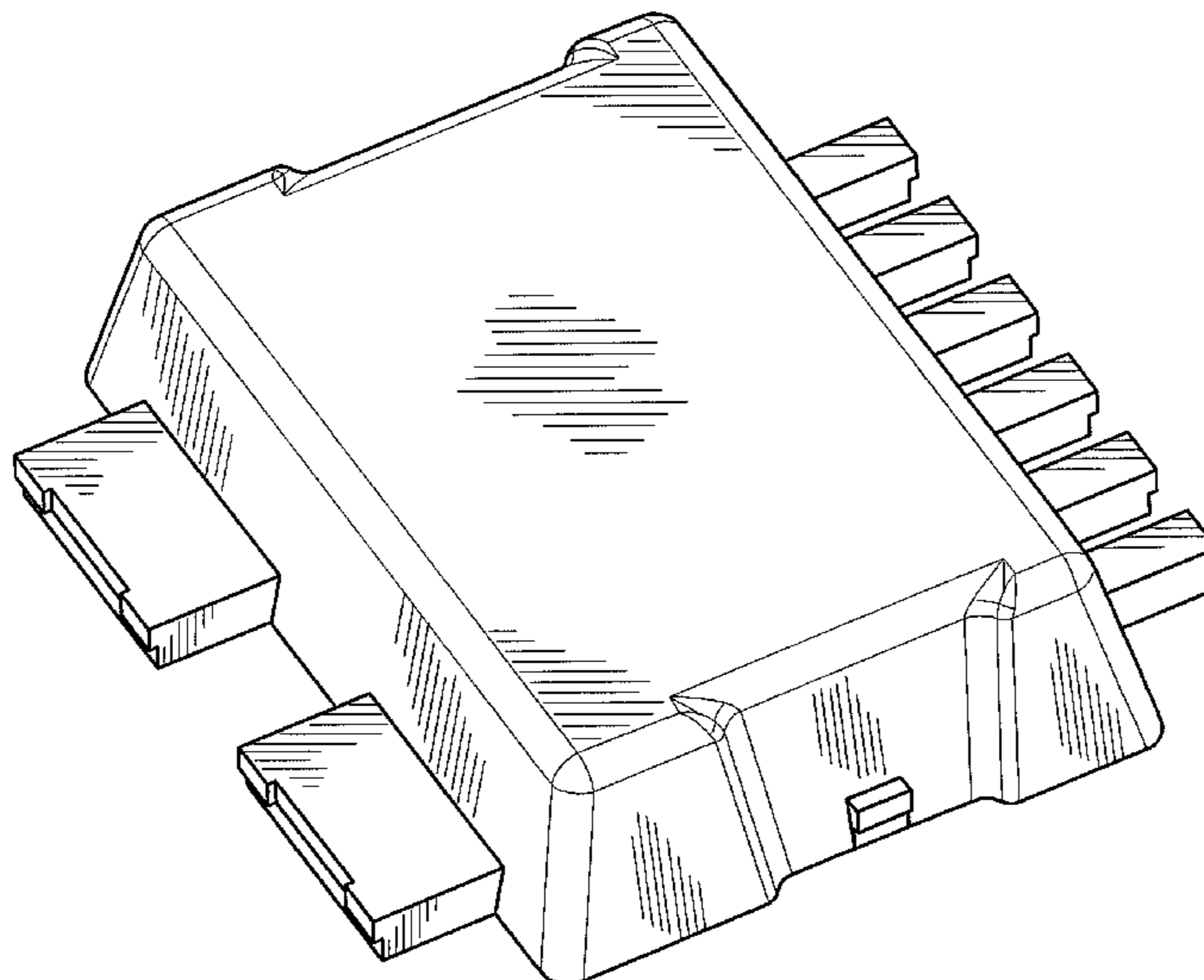
FIG. 6 is a left-side view thereof;

FIG. 7 is a back-side view thereof; and,

FIG. 8 is a front-side view thereof.

See application file for complete search history.

1 Claim, 6 Drawing Sheets



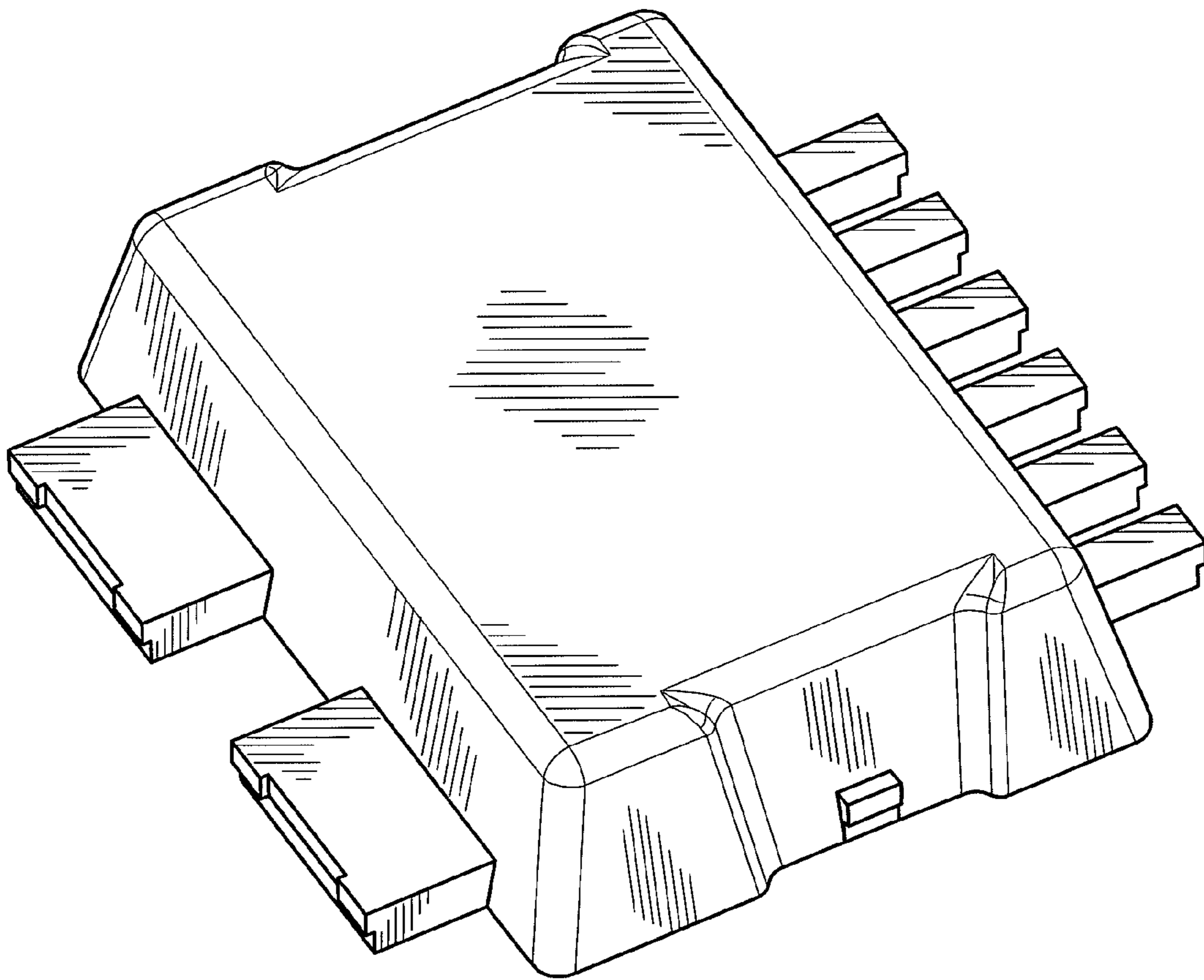


FIG. 1

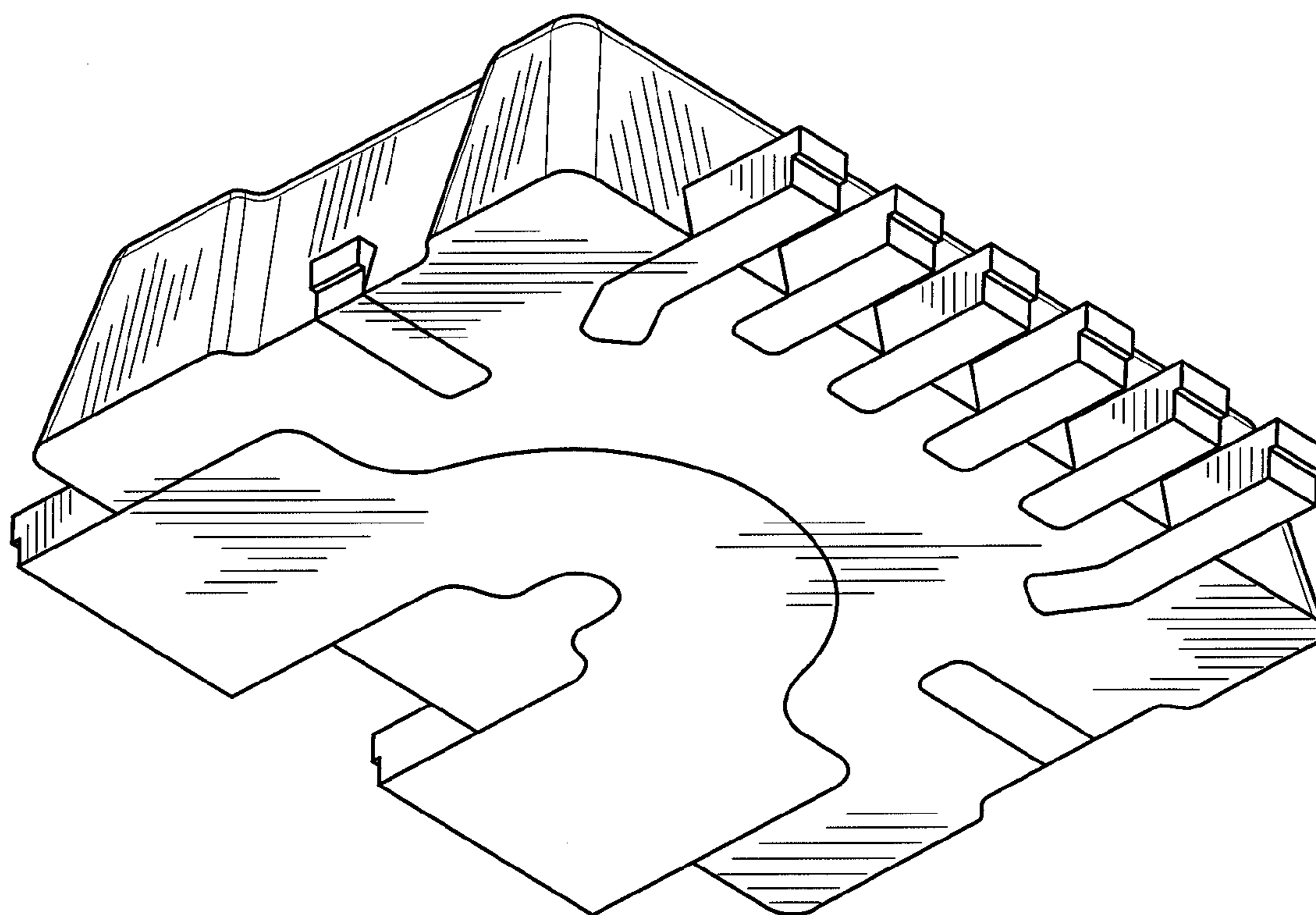


FIG. 2

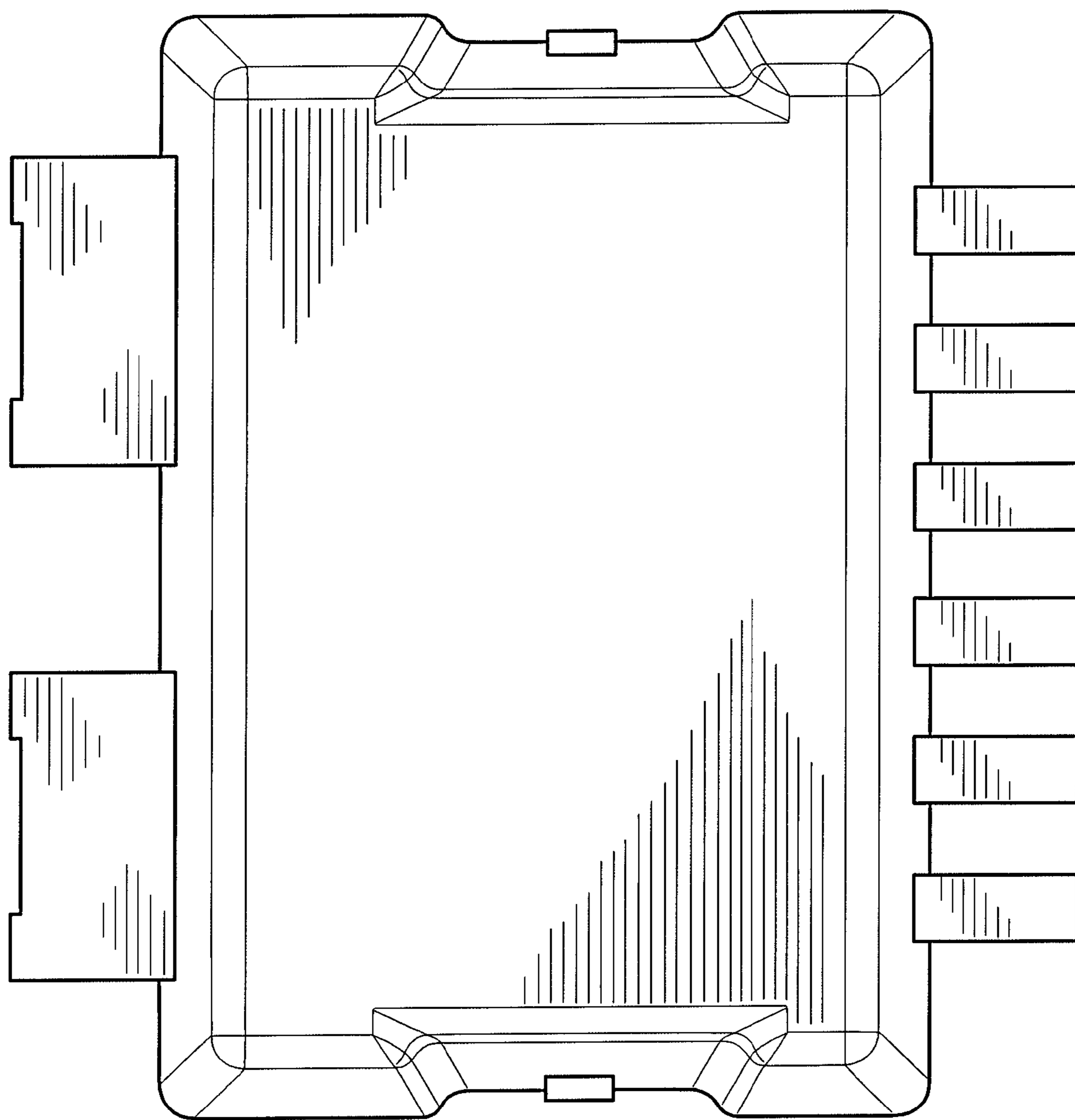


FIG. 3

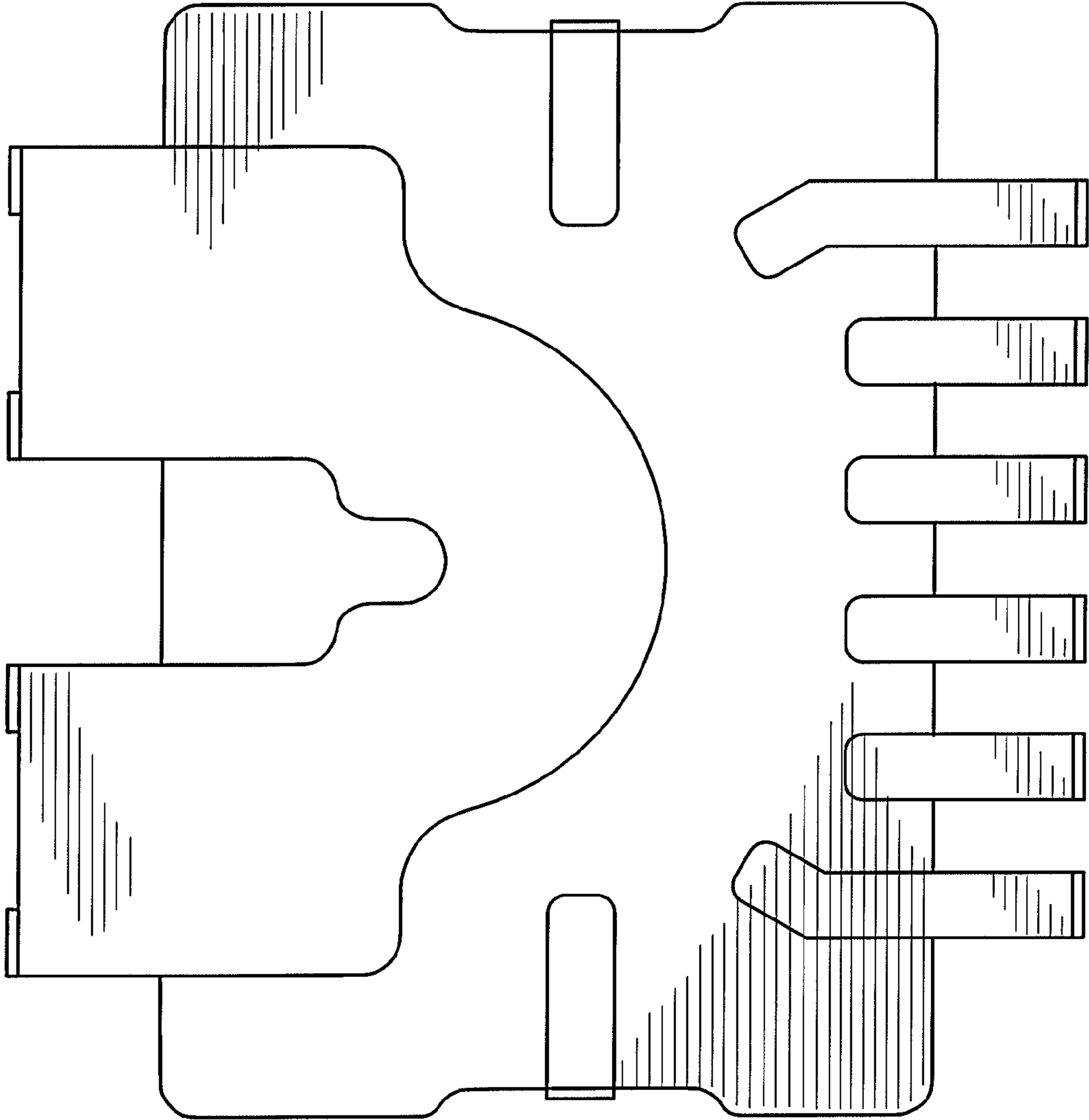


FIG. 4

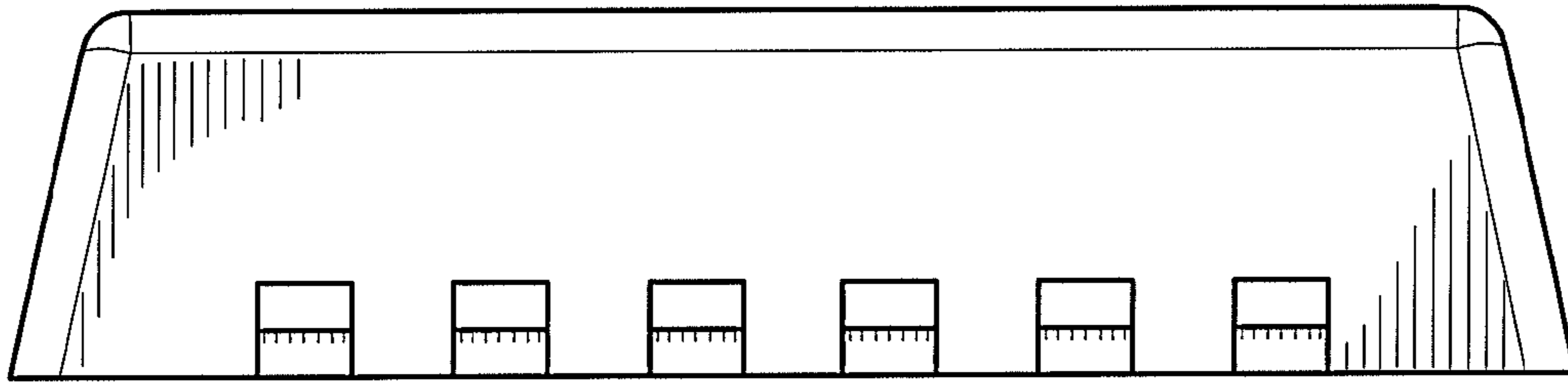


FIG. 5

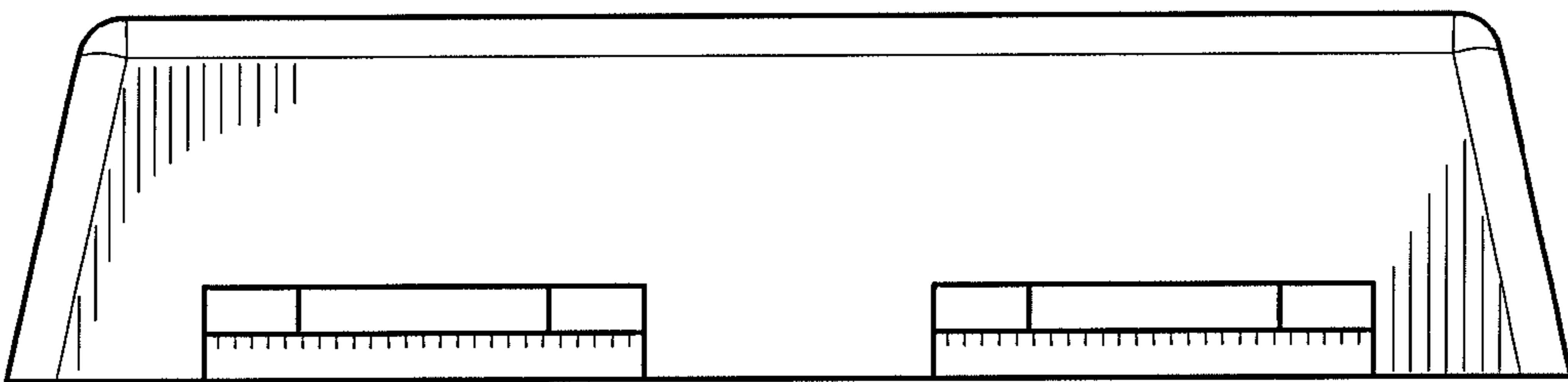


FIG. 6

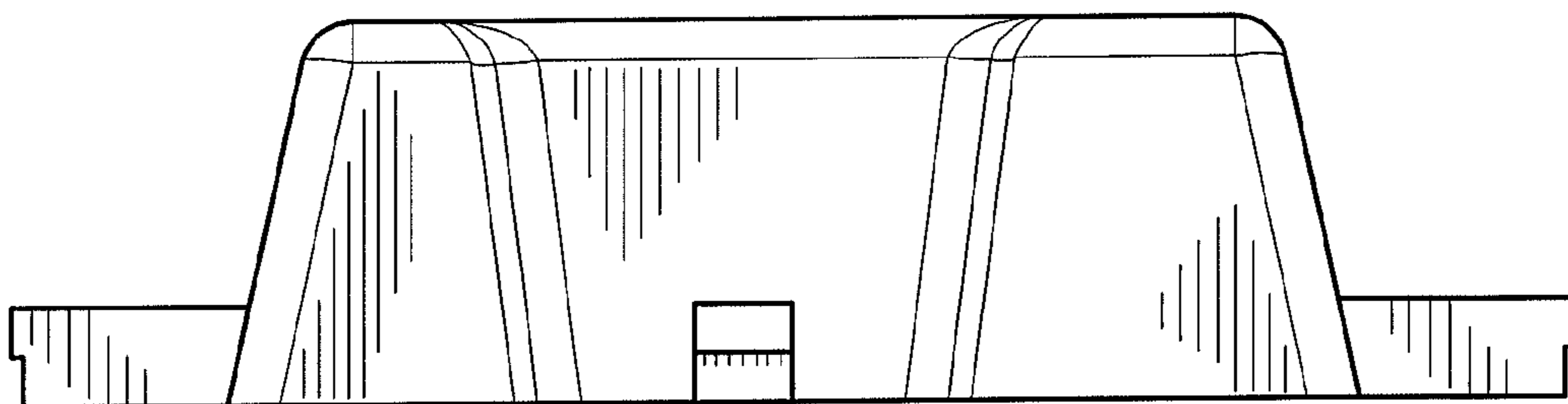


FIG. 7

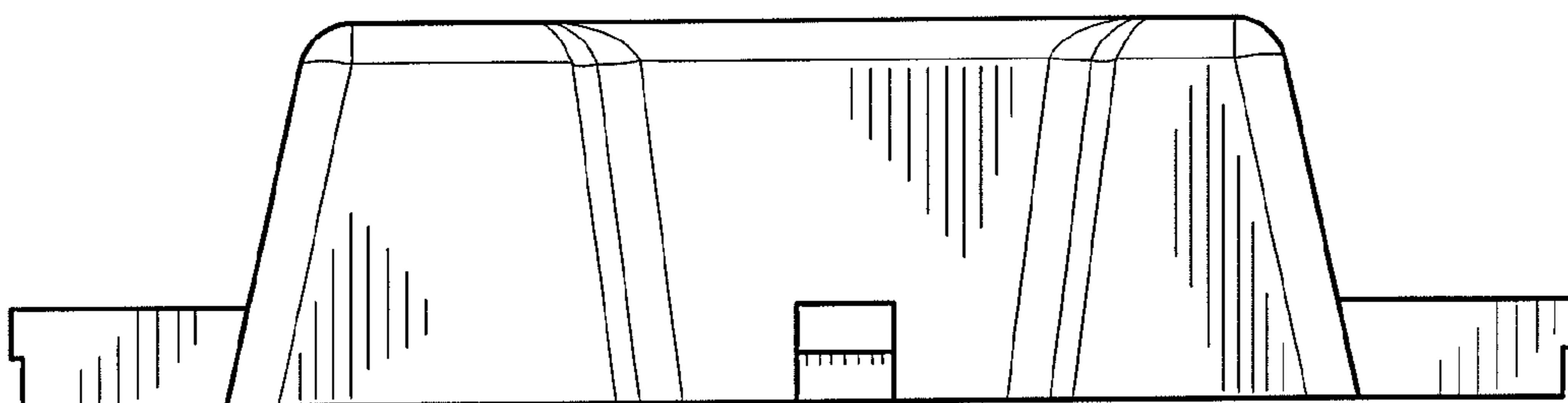


FIG. 8