



US00D719111S

(12) **United States Design Patent**  
**Lo et al.**

(10) **Patent No.:** **US D719,111 S**  
(45) **Date of Patent:** **\*\* Dec. 9, 2014**

(54) **LIGHT EMITTING DIODE LEAD-FRAME**

(56)

**References Cited**

(71) Applicant: **Lextar Electronics Corporation,**  
Hsinchu (TW)  
(72) Inventors: **Shih-Ju Lo,** Hsinchu County (TW);  
**Che-Ming Hsu,** Changhua County  
(TW); **Lei-Hsin Liu,** Hsinchu (TW);  
**Yue-Ying Su,** Yunlin County (TW);  
**Hui-Kai Hsu,** Taitung County (TW)

(73) Assignee: **Lextar Electronics Corporation,**  
Hsinchu (TW)

(\*\*) Term: **14 Years**

(21) Appl. No.: **29/472,847**

(22) Filed: **Nov. 15, 2013**

(30) **Foreign Application Priority Data**

May 17, 2013 (TW) ..... 102303534

(51) **LOC (10) Cl.** ..... **13-03**

(52) **U.S. Cl.**  
USPC ..... **D13/180**

(58) **Field of Classification Search**  
USPC ..... D13/180; D26/1; 257/79, 80, 81, 88,  
257/89, 95, 98, 99, 100, E33.058; 313/483,  
313/498, 500; 362/555, 800

See application file for complete search history.

U.S. PATENT DOCUMENTS

D578,084	S	*	10/2008	Kobayakawa	.....	D13/180
D578,969	S	*	10/2008	Kobayakawa	.....	D13/180
D627,310	S	*	11/2010	Lin et al.	.....	D13/180
D652,808	S	*	1/2012	Chang et al.	.....	D13/180
D656,106	S	*	3/2012	Hsu	.....	D13/180
D656,468	S	*	3/2012	Park et al.	.....	D13/180
D664,105	S	*	7/2012	Hsu	.....	D13/180
D667,385	S	*	9/2012	Lin	.....	D13/180
D669,044	S	*	10/2012	Hsu	.....	D13/180
D670,661	S	*	11/2012	Chang	.....	D13/180
D670,663	S	*	11/2012	Ko	.....	D13/180
D675,170	S	*	1/2013	Ko	.....	D13/180
D679,666	S	*	4/2013	Hsu et al.	.....	D13/180
D697,876	S	*	1/2014	Hsu et al.	.....	D13/180
2010/0102348	A1	*	4/2010	Lin	.....	257/98
2011/0127566	A1	*	6/2011	Yoon	.....	257/99
2012/0074451	A1	*	3/2012	Lin	.....	257/99
2012/0161180	A1	*	6/2012	Komatsu et al.	.....	257/98
2012/0211789	A1	*	8/2012	Lee et al.	.....	257/98

\* cited by examiner

*Primary Examiner* — Selina Sikder

(57)

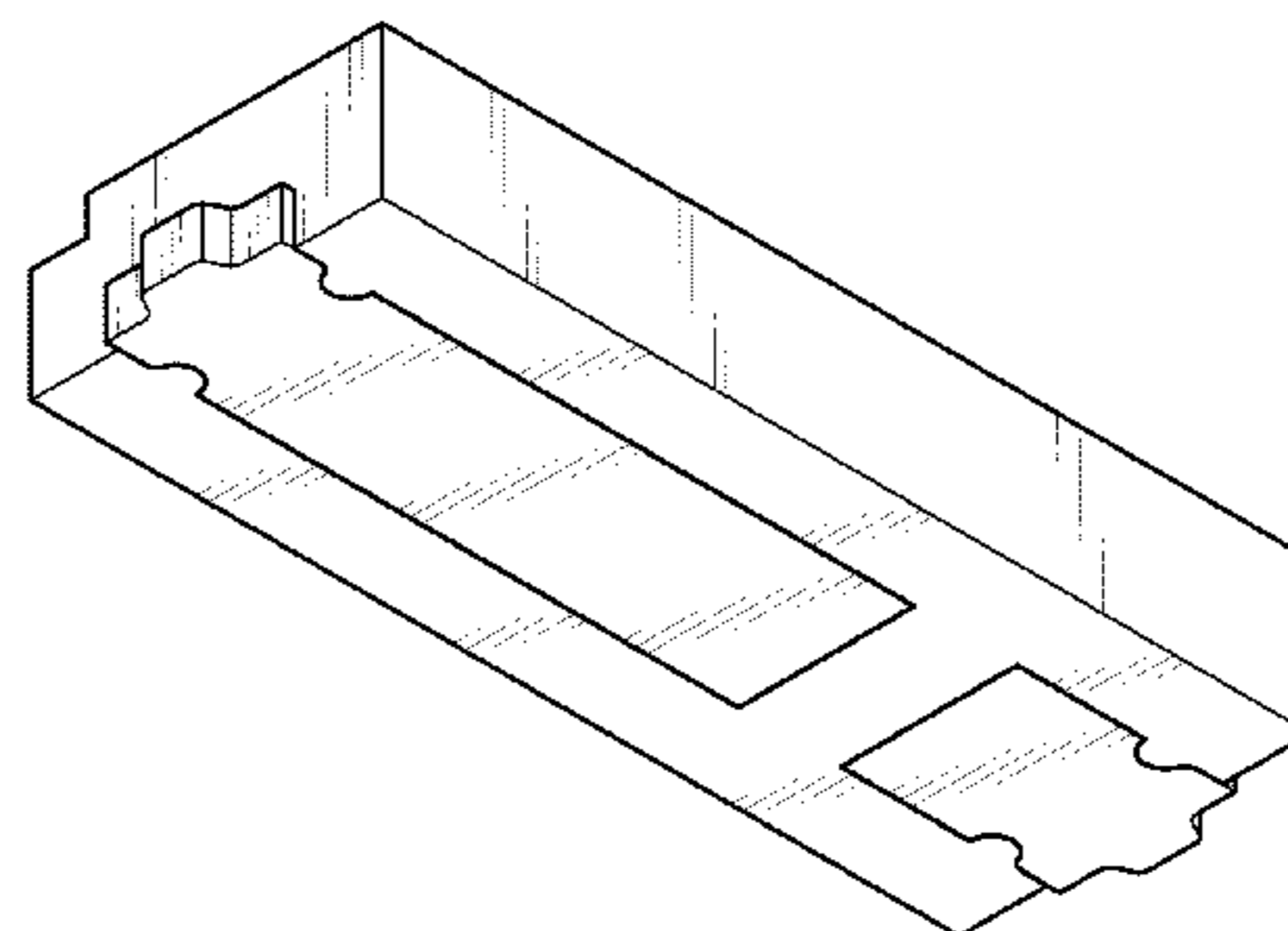
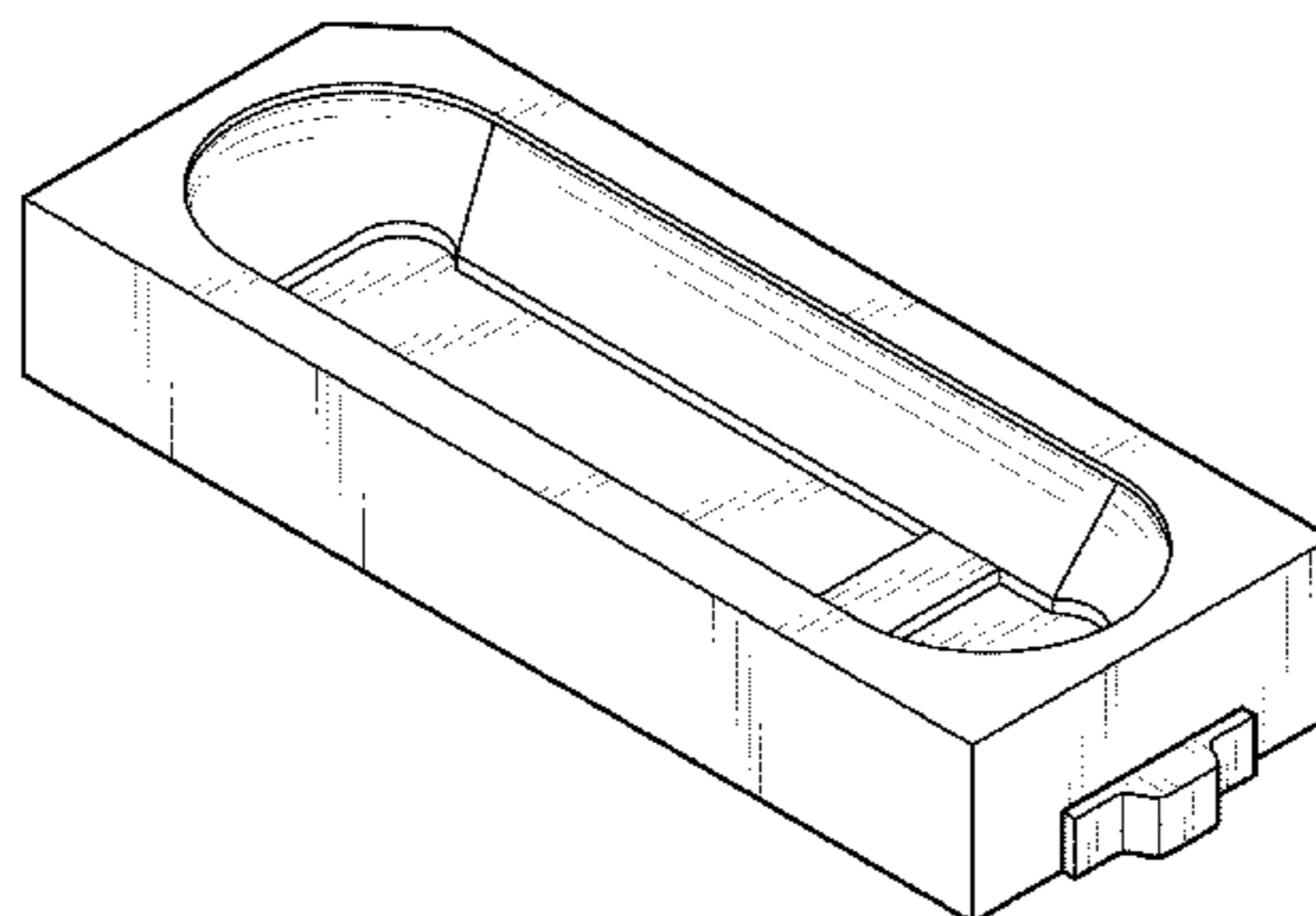
**CLAIM**

The ornamental design for light emitting diode lead-frame, as shown and described.

**DESCRIPTION**

FIG. 1 is a front perspective view thereof;  
FIG. 2 is a rear perspective view thereof;  
FIG. 3 is a front view thereof;  
FIG. 4 is a rear view thereof;  
FIG. 5 is a left side view thereof;  
FIG. 6 is a right side view thereof;  
FIG. 7 is a top plan view thereof; and,  
FIG. 8 is a bottom plan view thereof.

**1 Claim, 8 Drawing Sheets**



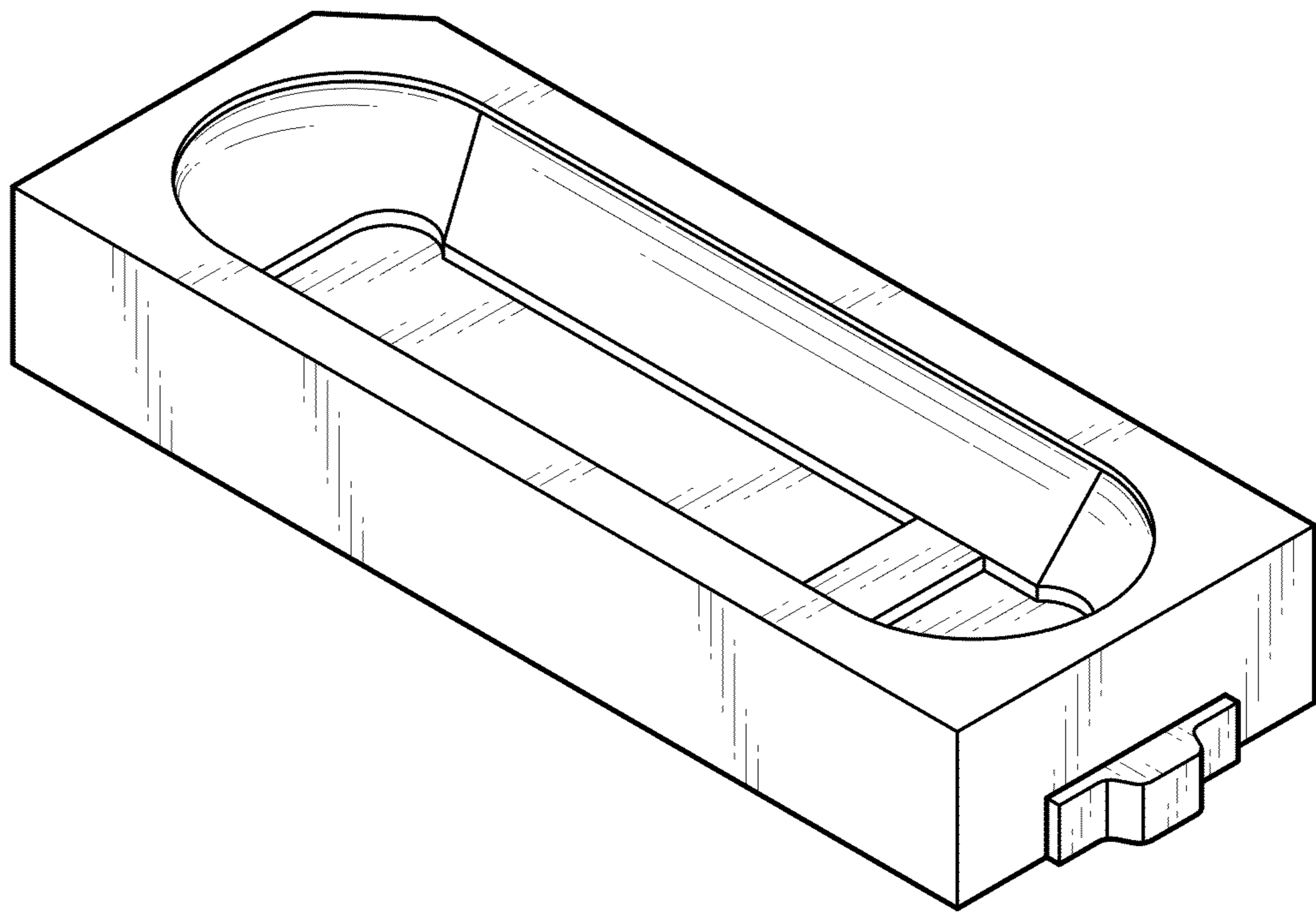


FIG. 1

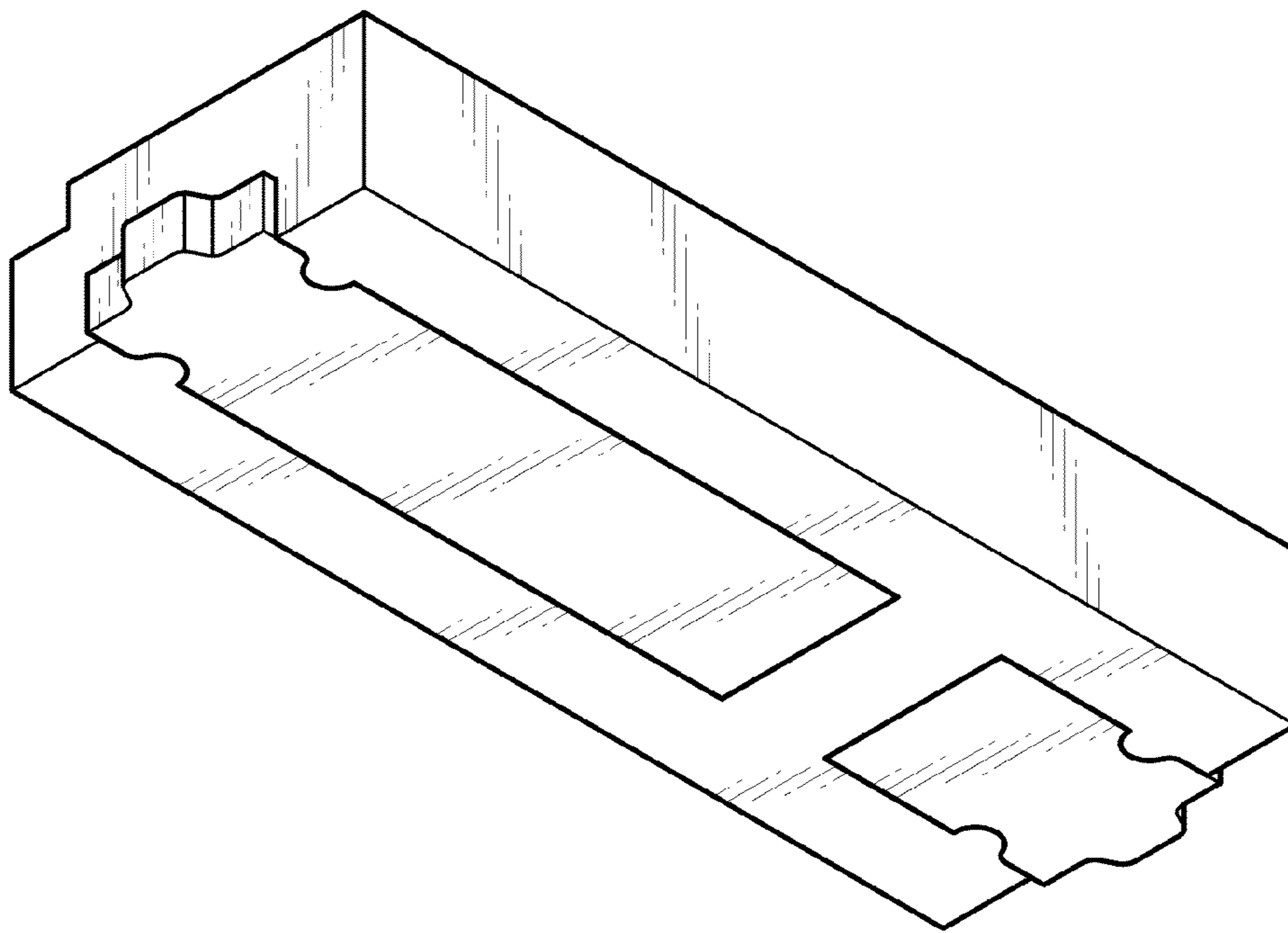


FIG. 2



FIG. 3



FIG. 4

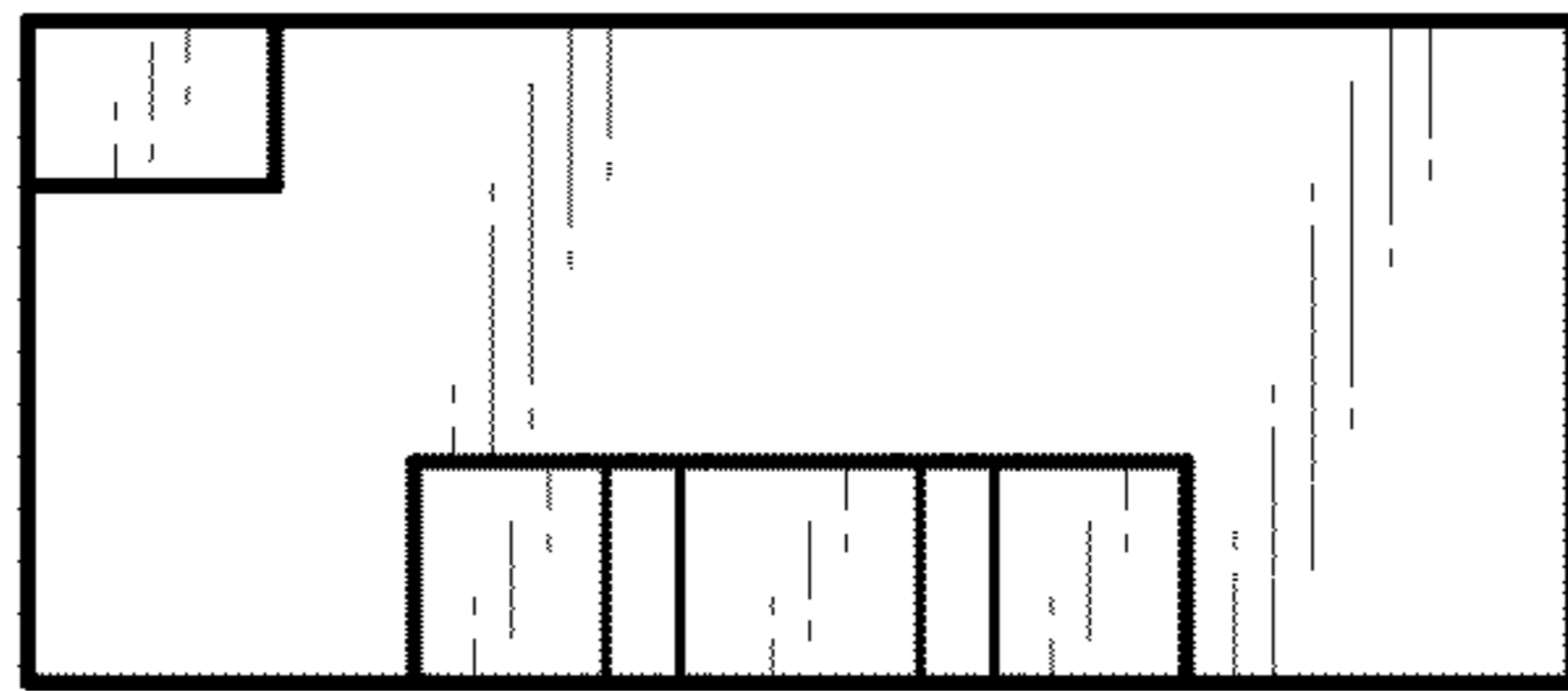


FIG. 5

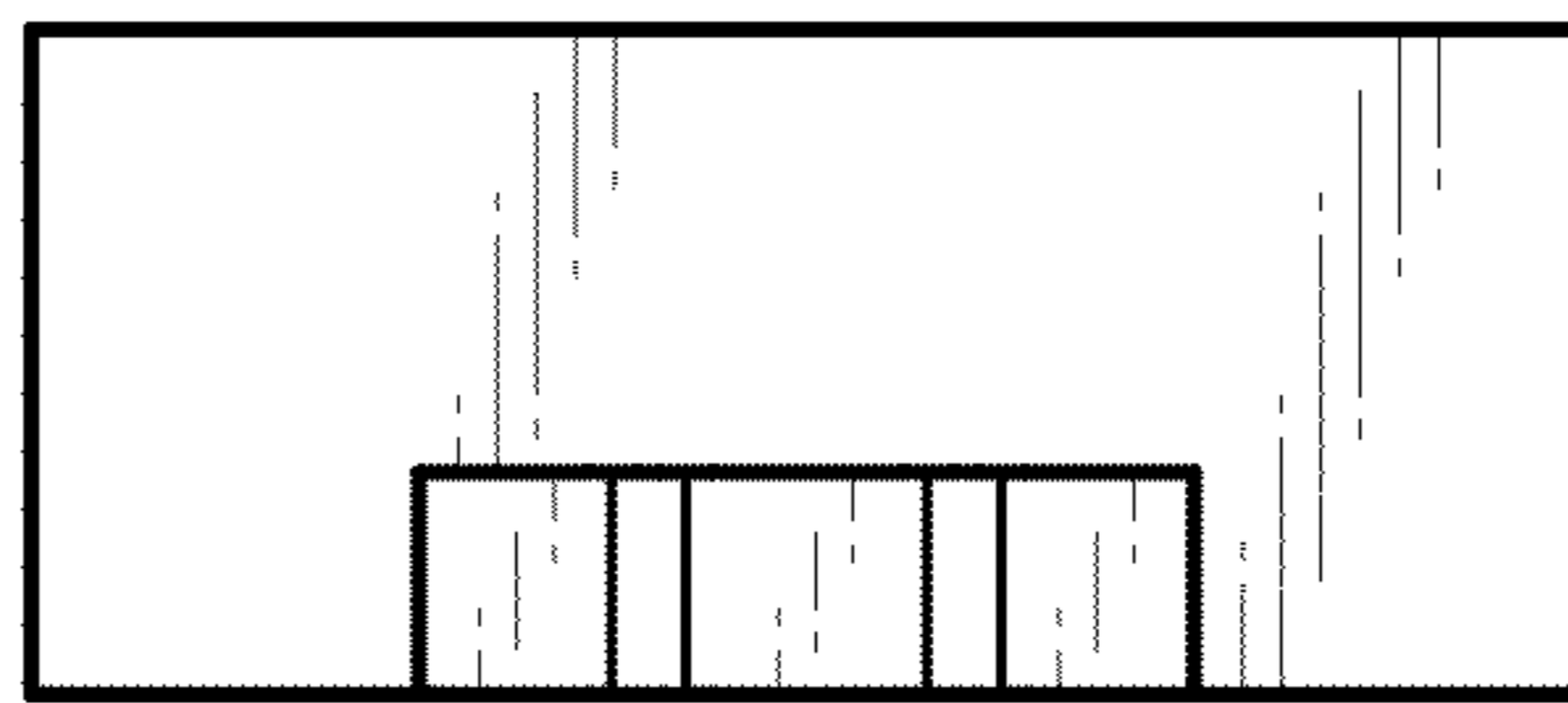


FIG. 6

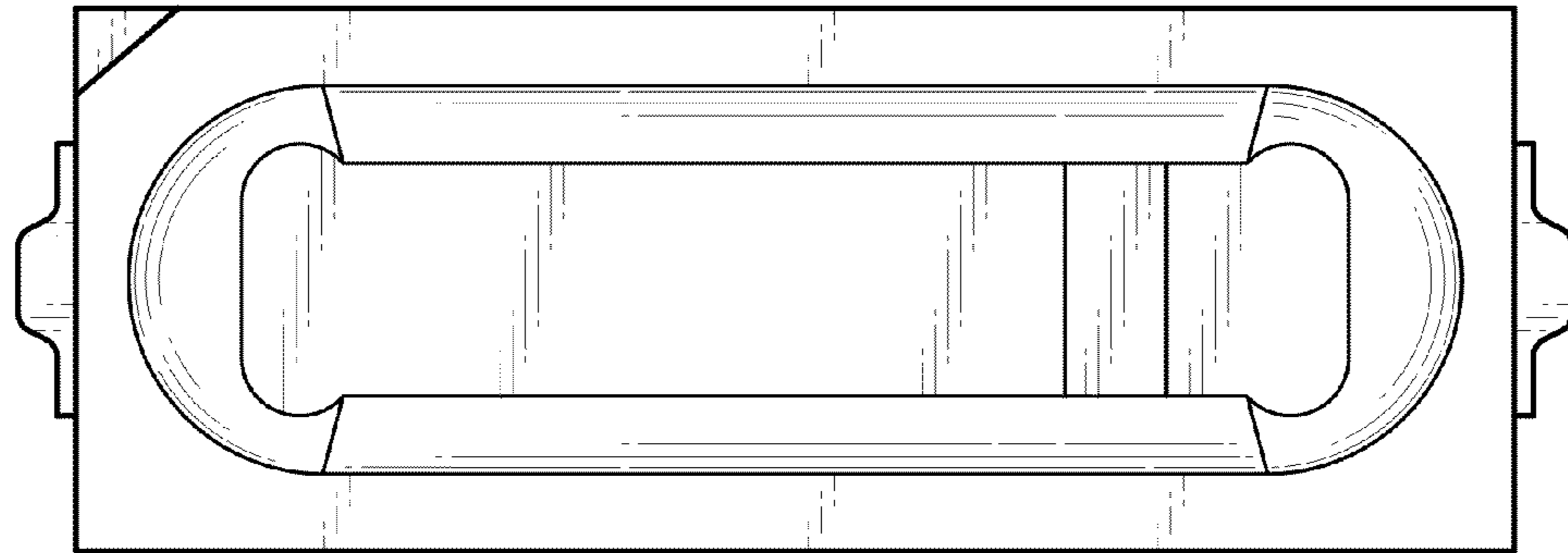


FIG. 7



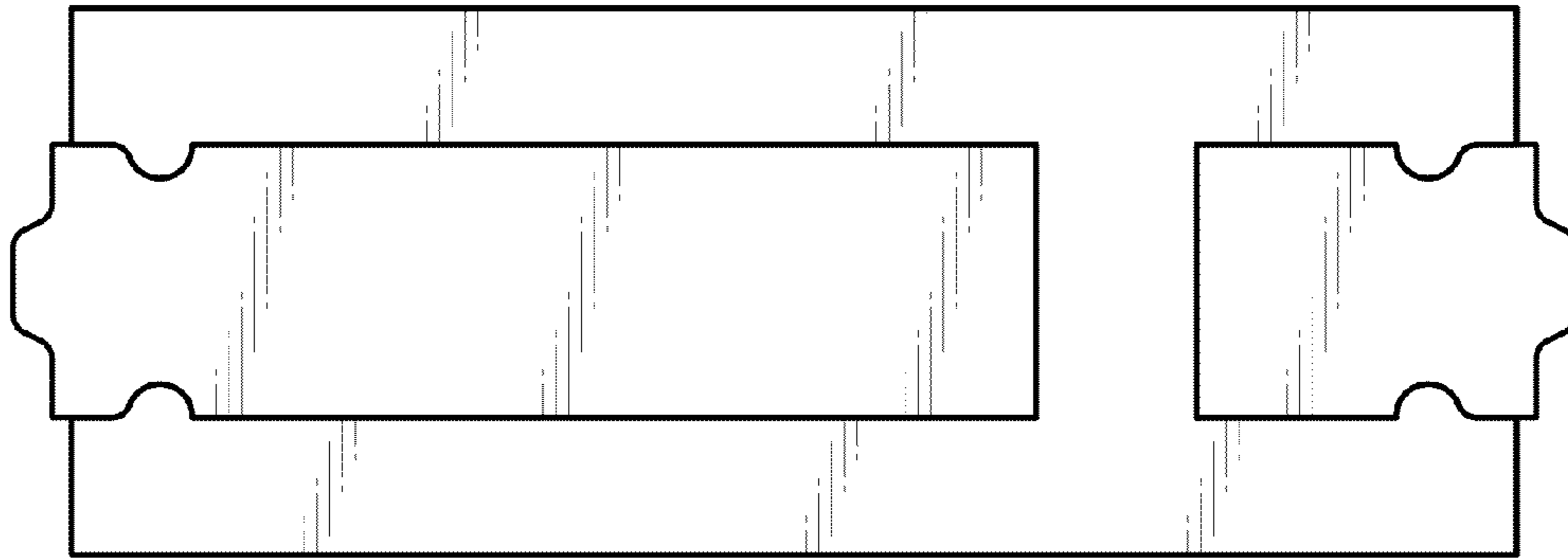


FIG. 8