



US00D719110S

(12) **United States Design Patent**
Chen et al.

(10) **Patent No.:** **US D719,110 S**
(45) **Date of Patent:** **** Dec. 9, 2014**

(54) **LED STRUCTURE**

(71) Applicant: **Lediamond Opto Corporation**, New Taipei (TW)

(72) Inventors: **Peng-Yu Chen**, New Taipei (TW);
Chung-Ting Tseng, New Taipei (TW);
Hsuan-Hsien Lee, New Taipei (TW)

(73) Assignee: **Lediamond Opto Corporation**, New Taipei (TW)

(**) Term: **14 Years**

(21) Appl. No.: **29/468,970**

(22) Filed: **Oct. 4, 2013**

(51) **LOC (10) Cl.** **13-03**

(52) **U.S. Cl.**
USPC **D13/180**

(58) **Field of Classification Search**
CPC ... H01L 25/167; H01L 25/0753; H01L 27/15;
H01L 27/156; H01L 31/02; H01L 33/00;
H01L 33/04; H01L 33/08; H01L 33/10;
H01L 33/20; H01L 33/38; H01L 33/42;
H01L 33/483; H01L 33/486
USPC D13/180; D26/1, 2; 257/79, 80, 81, 88,
257/89, 95, 98, 99, 100, E33.058; 313/483,
313/498, 315-317; 362/237, 249.01,
362/249.02, 555, 802
See application file for complete search history.

(56) **References Cited**

U.S. PATENT DOCUMENTS

7,585,090 B2 * 9/2009 Wu 362/249.02
8,083,375 B2 * 12/2011 Kong 362/249.02
D667,972 S * 9/2012 Sakamoto et al. D26/2

D668,365 S * 10/2012 Sakamoto et al. D26/2
8,282,240 B2 * 10/2012 Xiao et al. 362/249.02
8,297,766 B2 * 10/2012 Harbers et al. 362/84
D671,240 S * 11/2012 Sakamoto et al. D26/2
8,421,329 B2 * 4/2013 Liang et al. 313/317
8,662,704 B2 * 3/2014 Carraher et al. 362/242
8,752,983 B2 * 6/2014 Hussell et al. 362/249.02
2005/0039788 A1 * 2/2005 Blieske et al. 136/246
2008/0253118 A1 * 10/2008 Van As et al. 362/237
2010/0109551 A1 * 5/2010 Shen 315/287
2012/0287636 A1 * 11/2012 Chen 362/249.02
2013/0208474 A1 * 8/2013 Chuang 362/249.02
2014/0077158 A1 * 3/2014 Crowder et al. 257/13
2014/0153236 A1 * 6/2014 Chen et al. 362/235
2014/0168977 A1 * 6/2014 Hu 362/249.02

* cited by examiner

Primary Examiner — Selina Sikder

(74) *Attorney, Agent, or Firm* — Chun-Ming Shih; HDLS IPR Services

(57) **CLAIM**

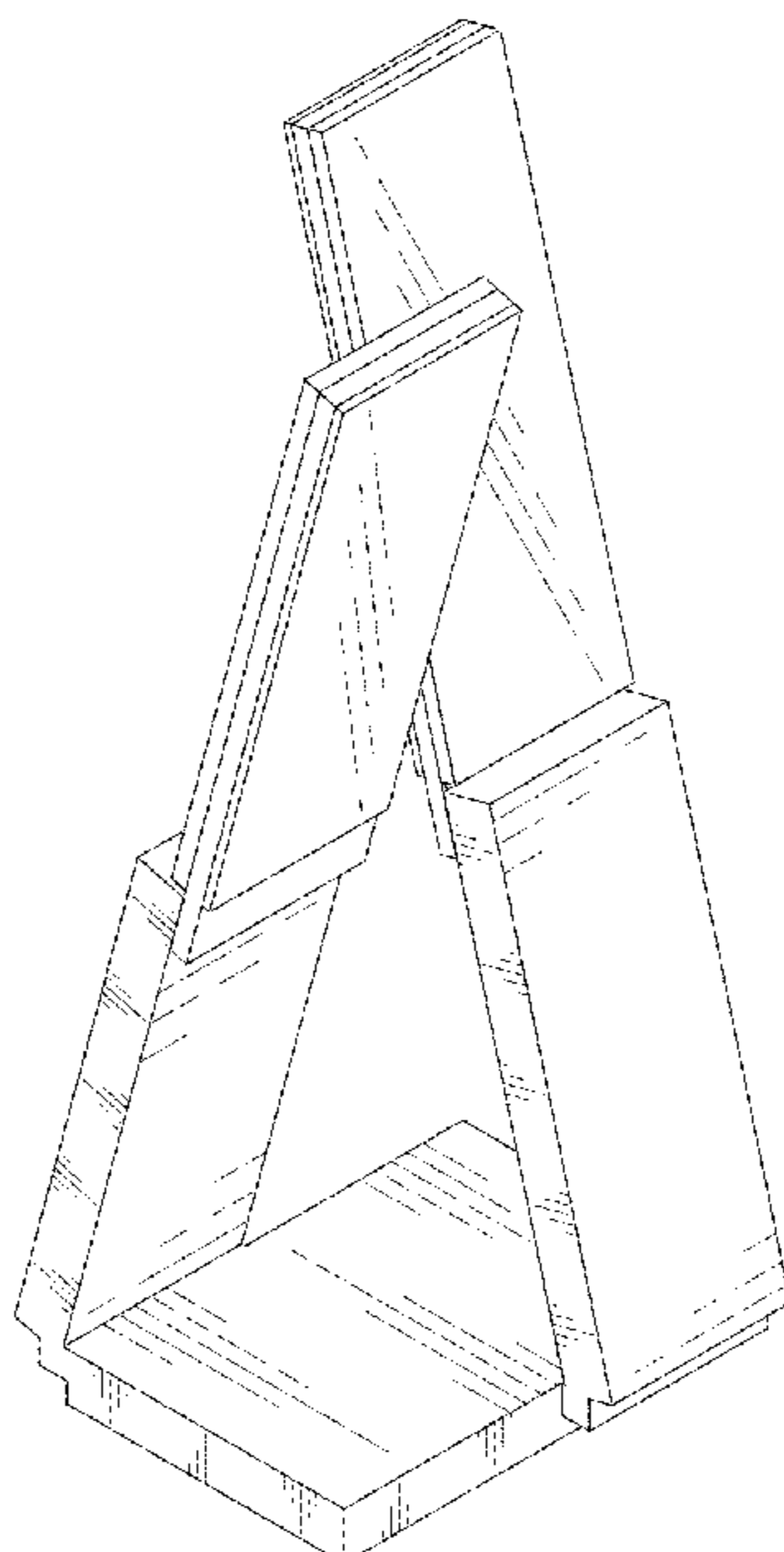
The ornamental design for a LED structure, as shown and described.

DESCRIPTION

FIG. 1 is a perspective view of a LED structure showing my new design;
FIG. 2 is a front view thereof;
FIG. 3 is a rear view thereof;
FIG. 4 is a left side view thereof;
FIG. 5 is a right side view thereof;
FIG. 6 is a top view thereof;
FIG. 7 is a bottom view thereof; and,
FIG. 8 is a perspective view of the LED structure for reference.

The broken lines shown represent unclaimed subject matter and form no part of the claimed design.

1 Claim, 5 Drawing Sheets



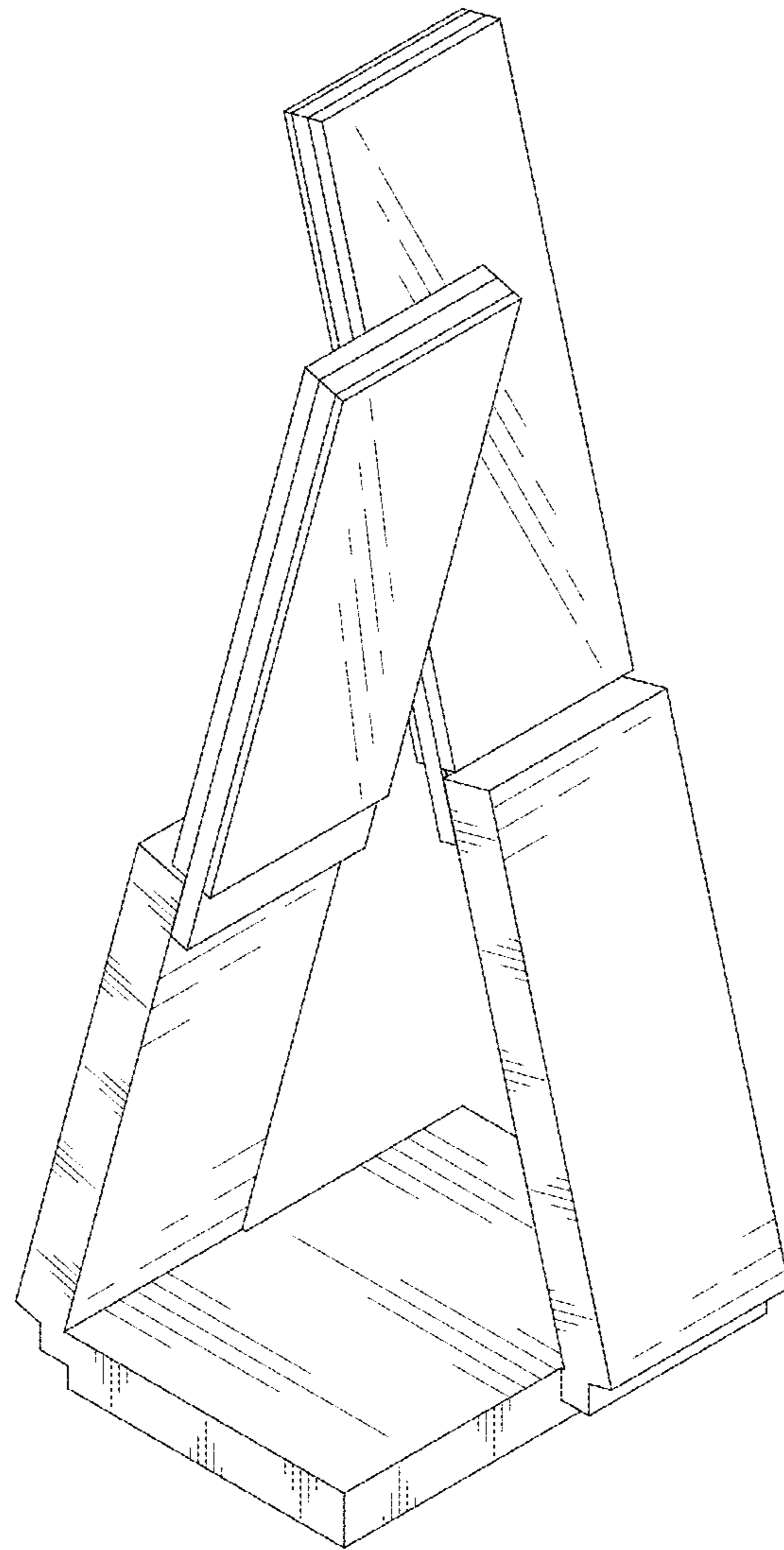


FIG.1

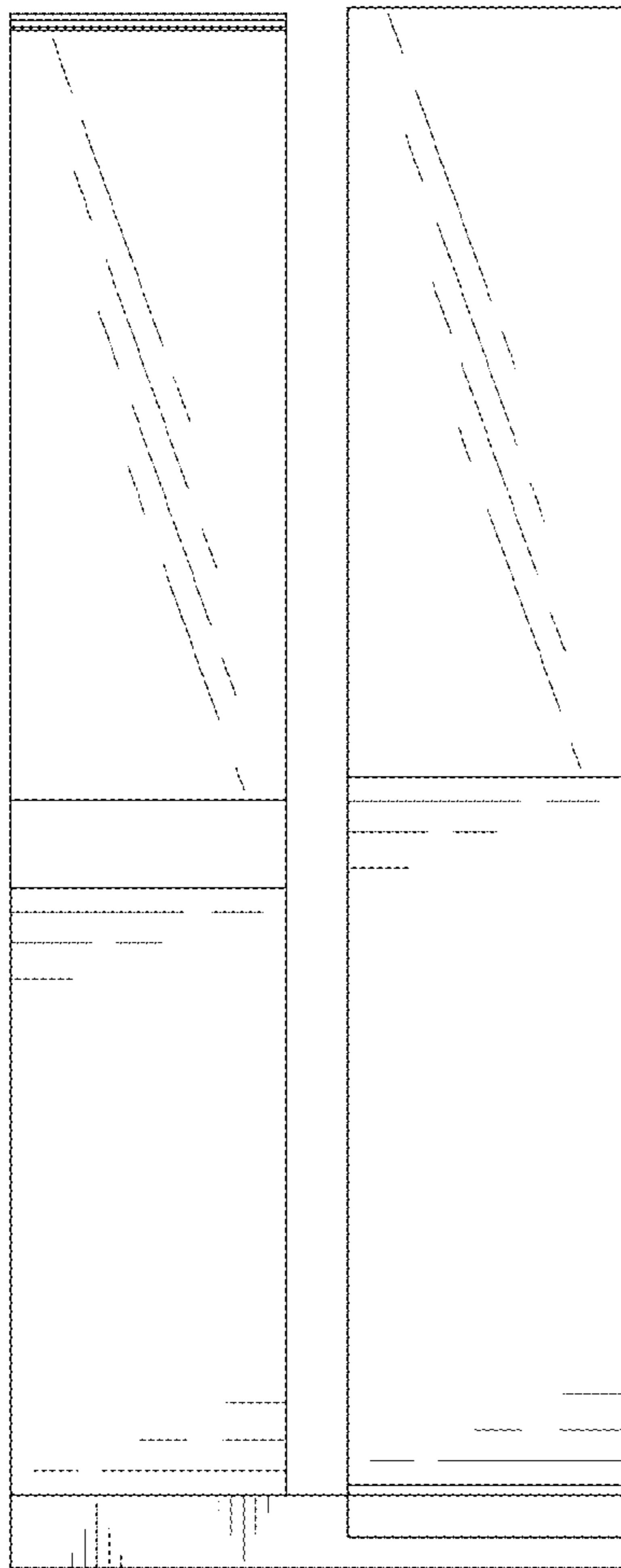


FIG. 2

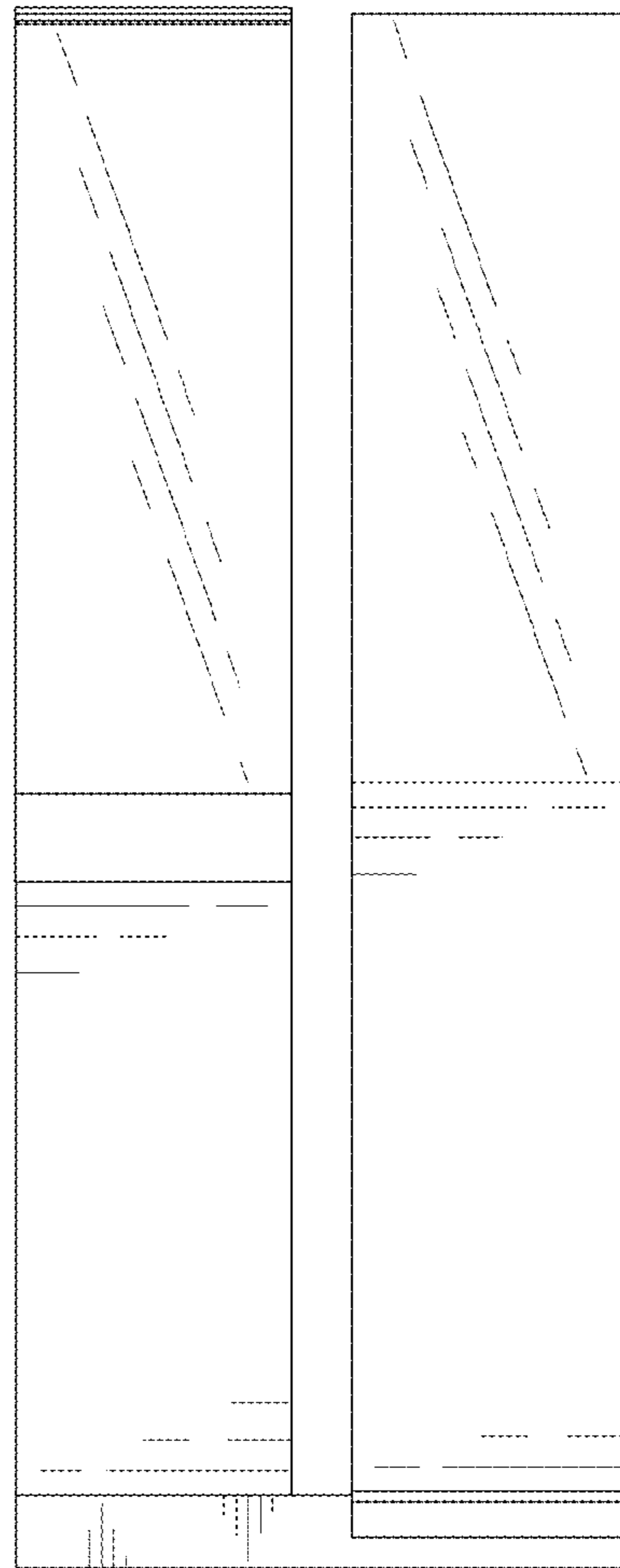


FIG. 3

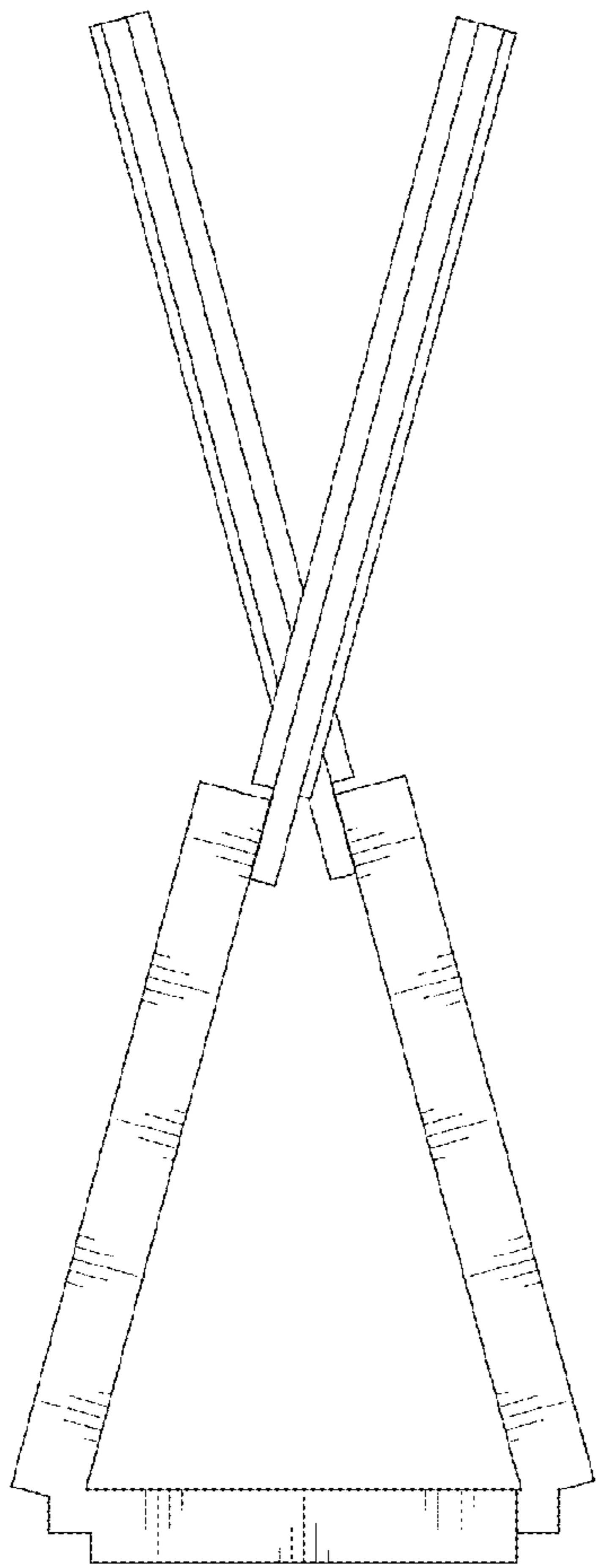


FIG. 4

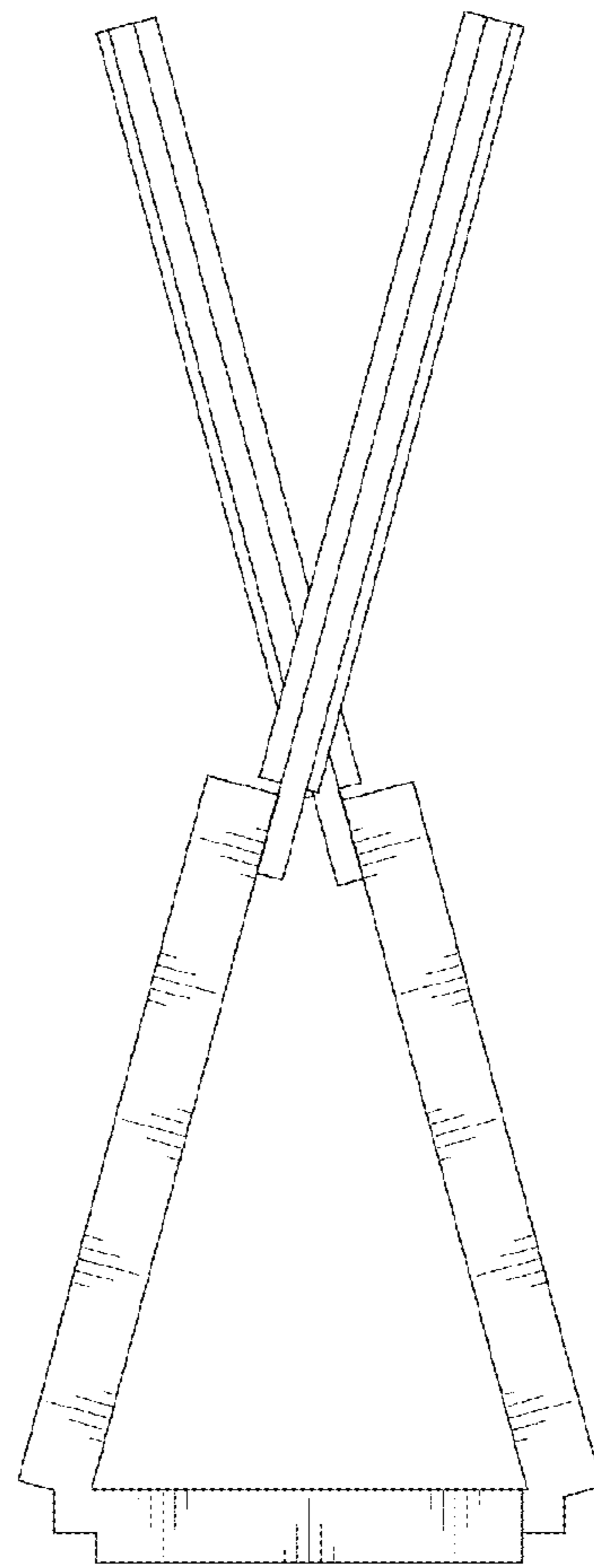


FIG. 5

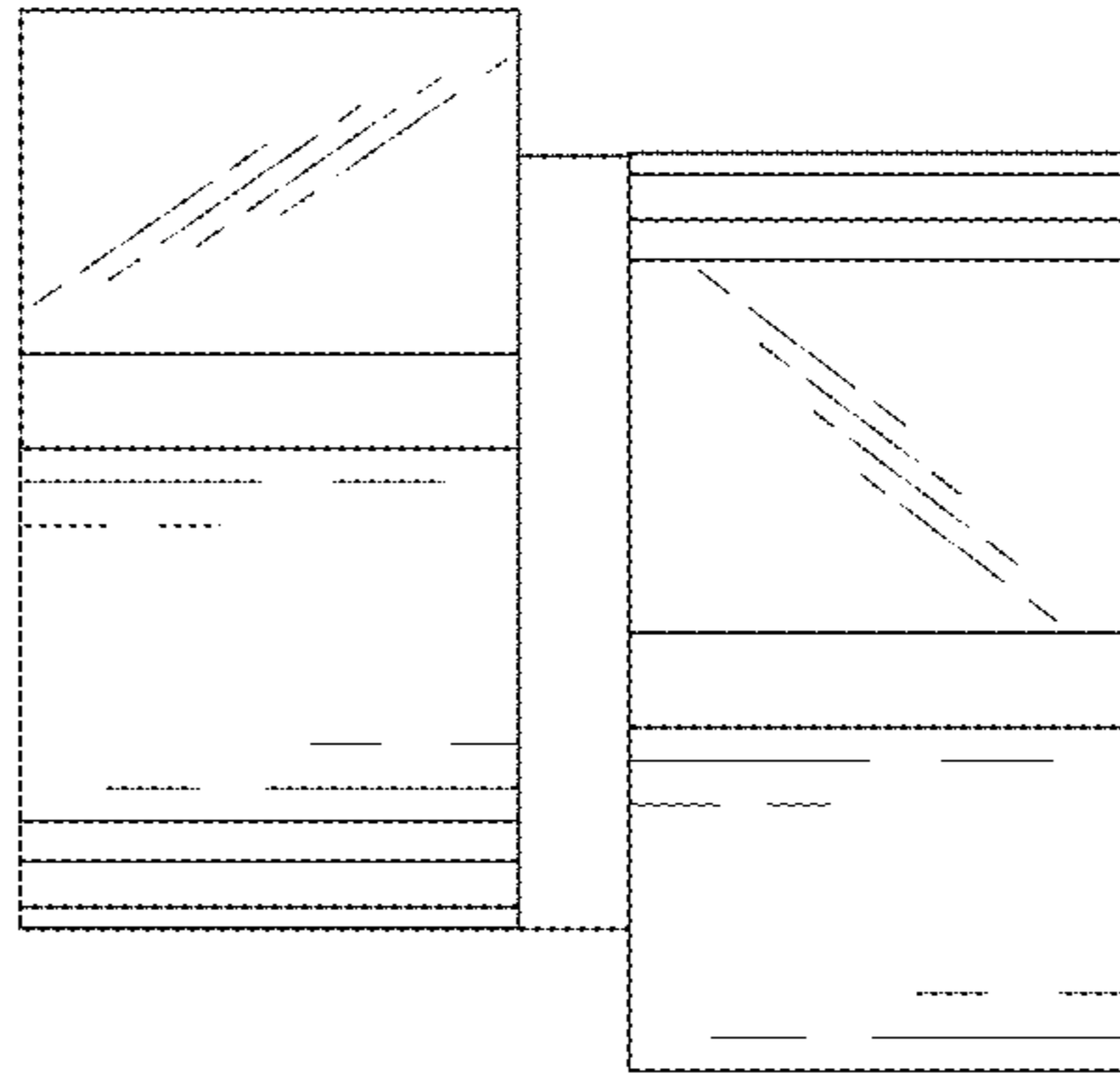


FIG. 6

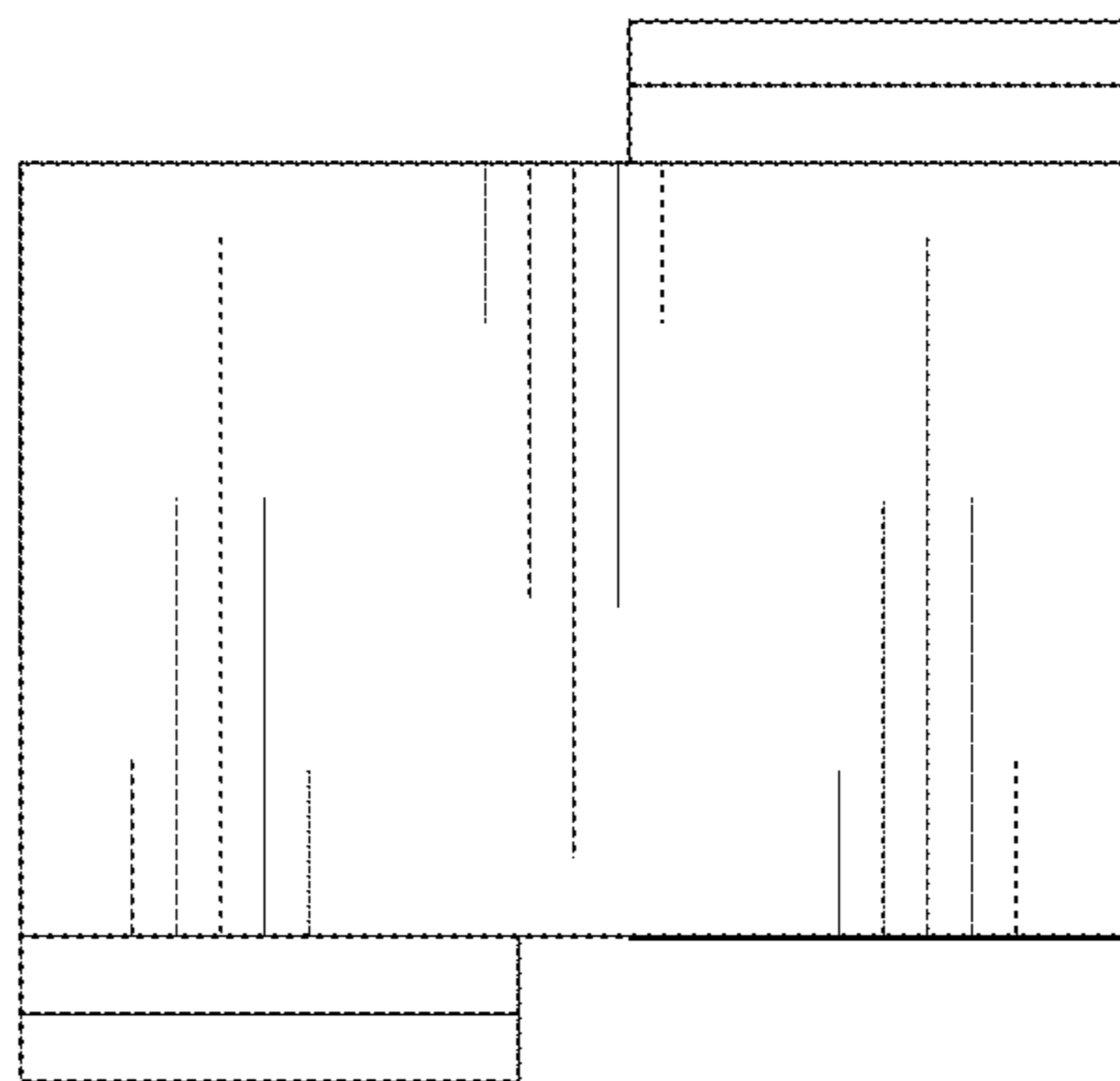


FIG. 7

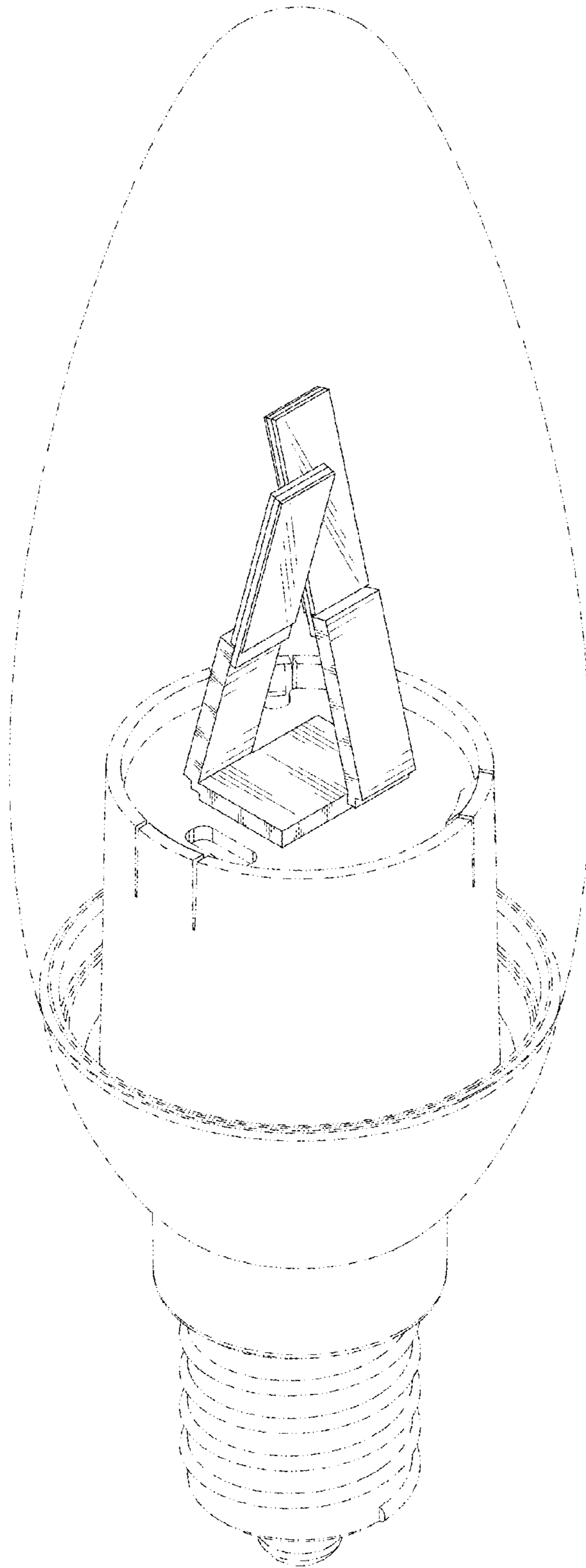


FIG. 8