



US00D719106S

(12) **United States Design Patent**  
**Verfuерth**

(10) **Patent No.:** **US D719,106 S**  
(45) **Date of Patent:** **\*\* Dec. 9, 2014**

- (54) **TRANSCEIVER HOUSING**
- (75) Inventor: **Neal R. Verfuерth**, Manitowoc, WI (US)
- (73) Assignee: **Orion Energy Systems, Inc.**,  
Manitowoc, WI (US)
- (\*\*) Term: **14 Years**
- (21) Appl. No.: **29/417,188**
- (22) Filed: **Mar. 30, 2012**
- (51) **LOC (10) Cl.** ..... **13-03**
- (52) **U.S. Cl.**  
USPC ..... **D13/162**
- (58) **Field of Classification Search**  
USPC ..... D13/158, 162, 184, 199; D14/137;  
315/149, 152, 158, 294, 312, 313, 320;  
250/205; 700/291  
See application file for complete search history.

2011/0279063 A1\* 11/2011 Wang et al. .... 315/313  
 2012/0038281 A1\* 2/2012 Verfuерth ..... 315/152  
 2012/0274222 A1\* 11/2012 Verfuерth et al. .... 315/158

\* cited by examiner

*Primary Examiner* — Selina Sikder  
(74) *Attorney, Agent, or Firm* — Foley & Lardner LLP

(57) **CLAIM**

I claim the ornamental design for a transceiver housing, as shown and described.

**DESCRIPTION**

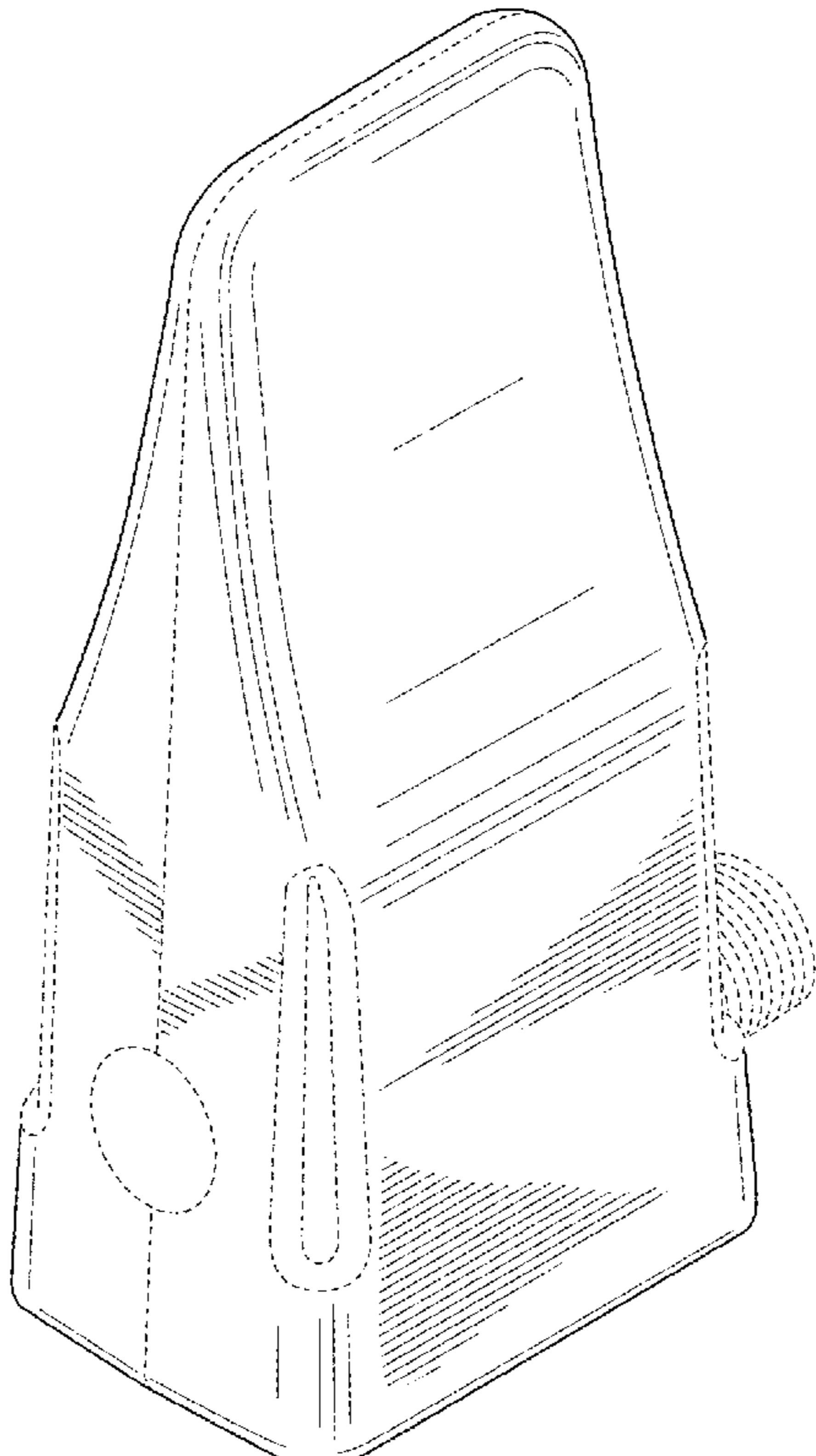
FIG. 1 is a top perspective view of an embodiment of the claimed design;  
 FIG. 2 is a right-side view of the claimed design of FIG. 1;  
 FIG. 3 is a left-side view of the claimed design of FIG. 1;  
 FIG. 4 is a front view of the claimed design of FIG. 1;  
 FIG. 5 is a rear view of the claimed design of FIG. 1;  
 FIG. 6 is a top view of the claimed design of FIG. 1; and,  
 FIG. 7 is a bottom view of the claimed design of FIG. 1.  
 The ornamental design which is claimed is shown in solid lines in the drawings. The broken lines in the drawings are for illustrative purposes only and form no part of the claimed design.

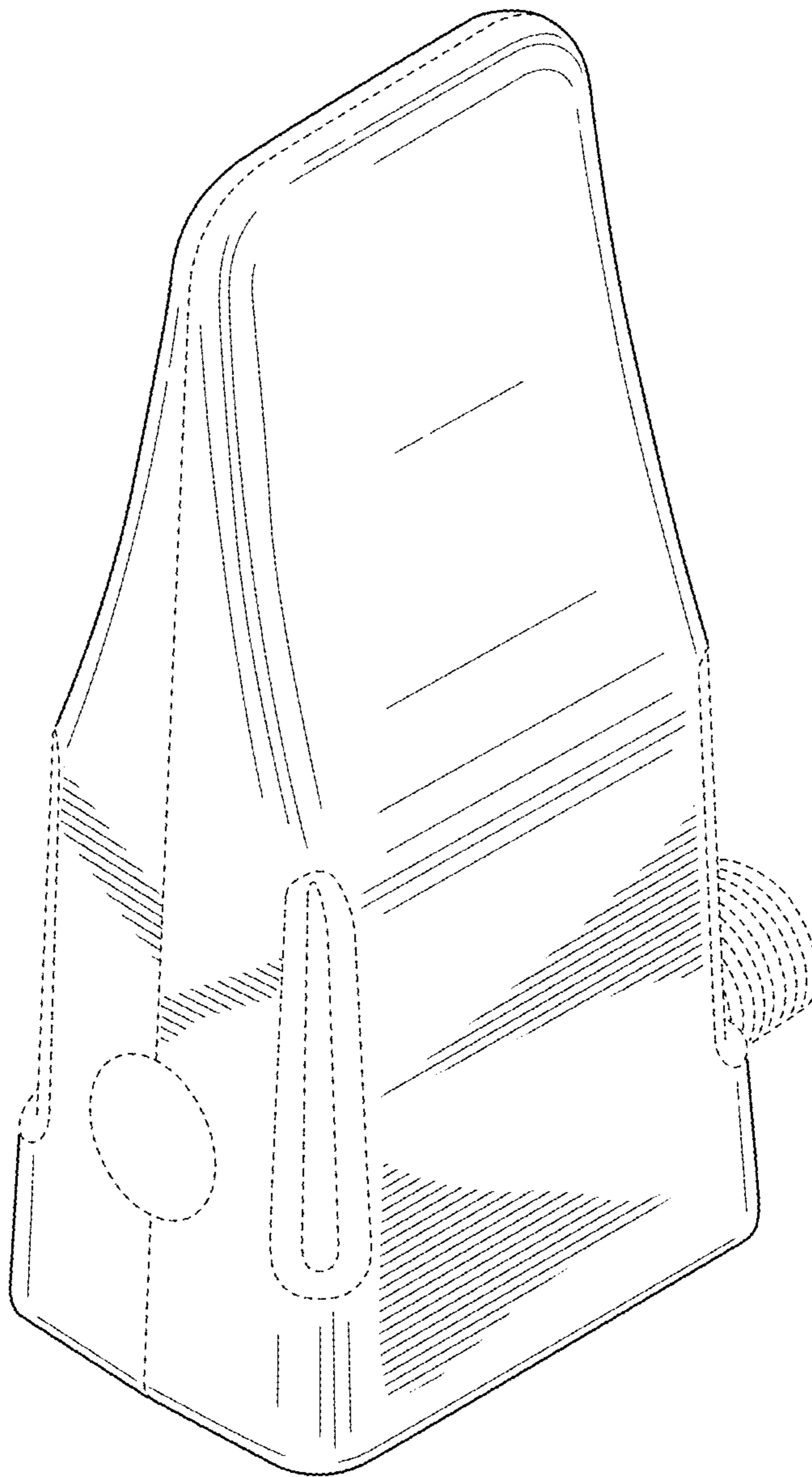
(56) **References Cited**

U.S. PATENT DOCUMENTS

- D602,877 S \* 10/2009 Melzner et al. .... D13/162
- D603,344 S \* 11/2009 Pradhan ..... D13/162
- 2009/0315485 A1\* 12/2009 Verfuерth et al. .... 315/320

**1 Claim, 4 Drawing Sheets**





**FIG. 1**

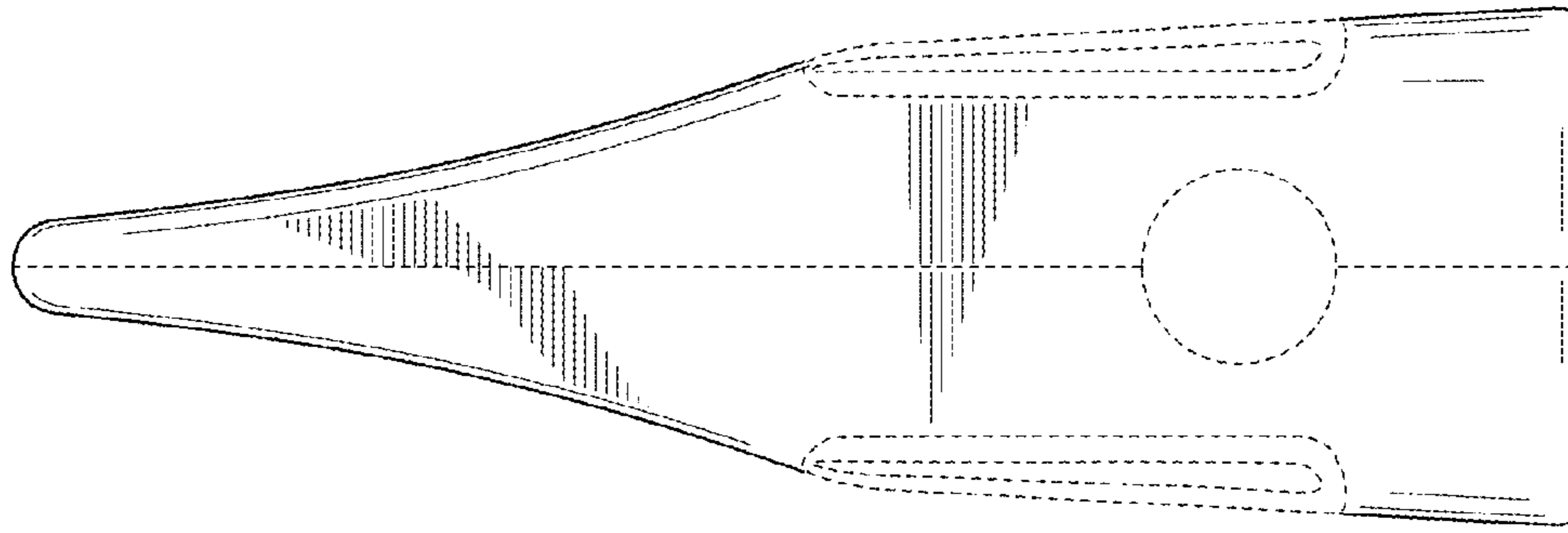


FIG. 3

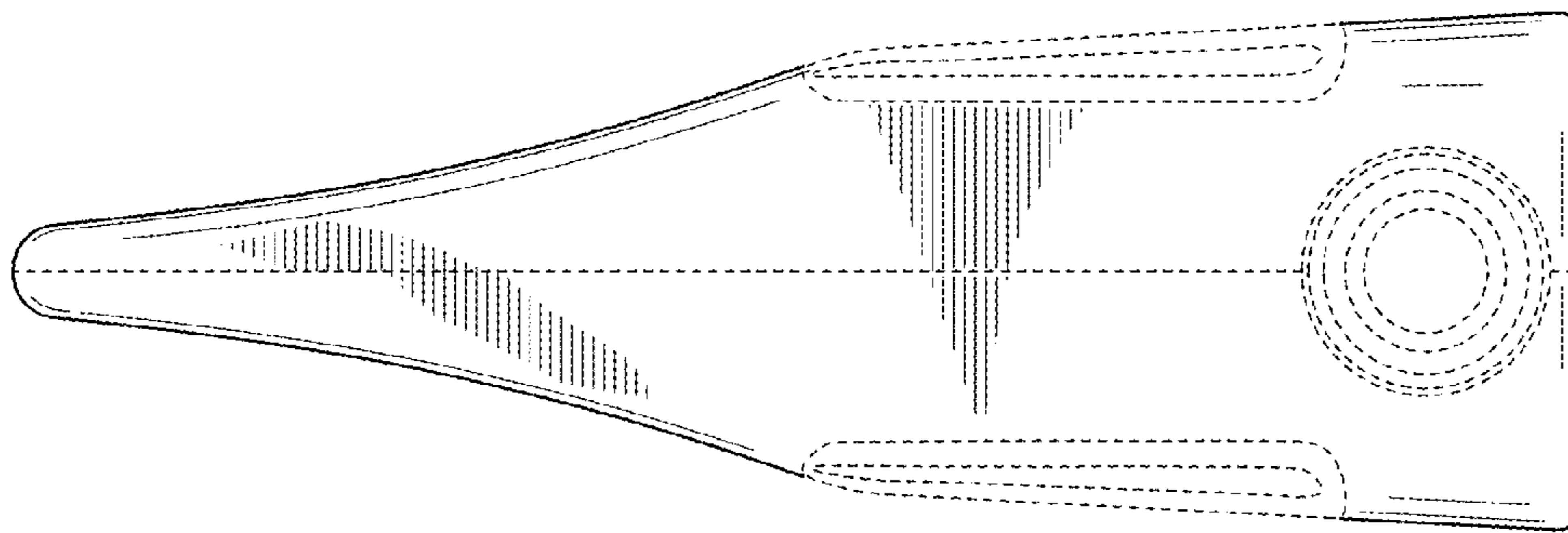


FIG. 2

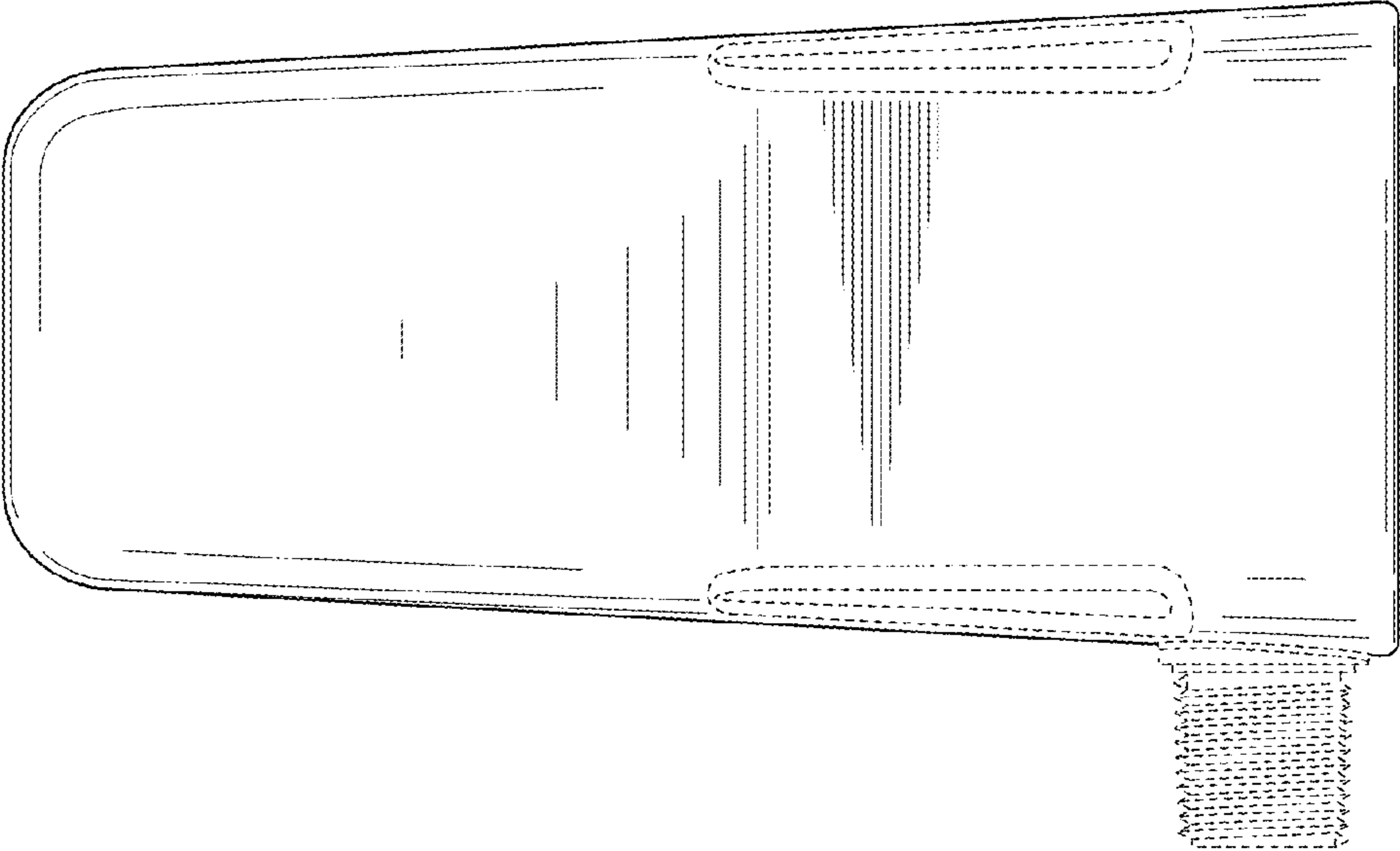


FIG. 5

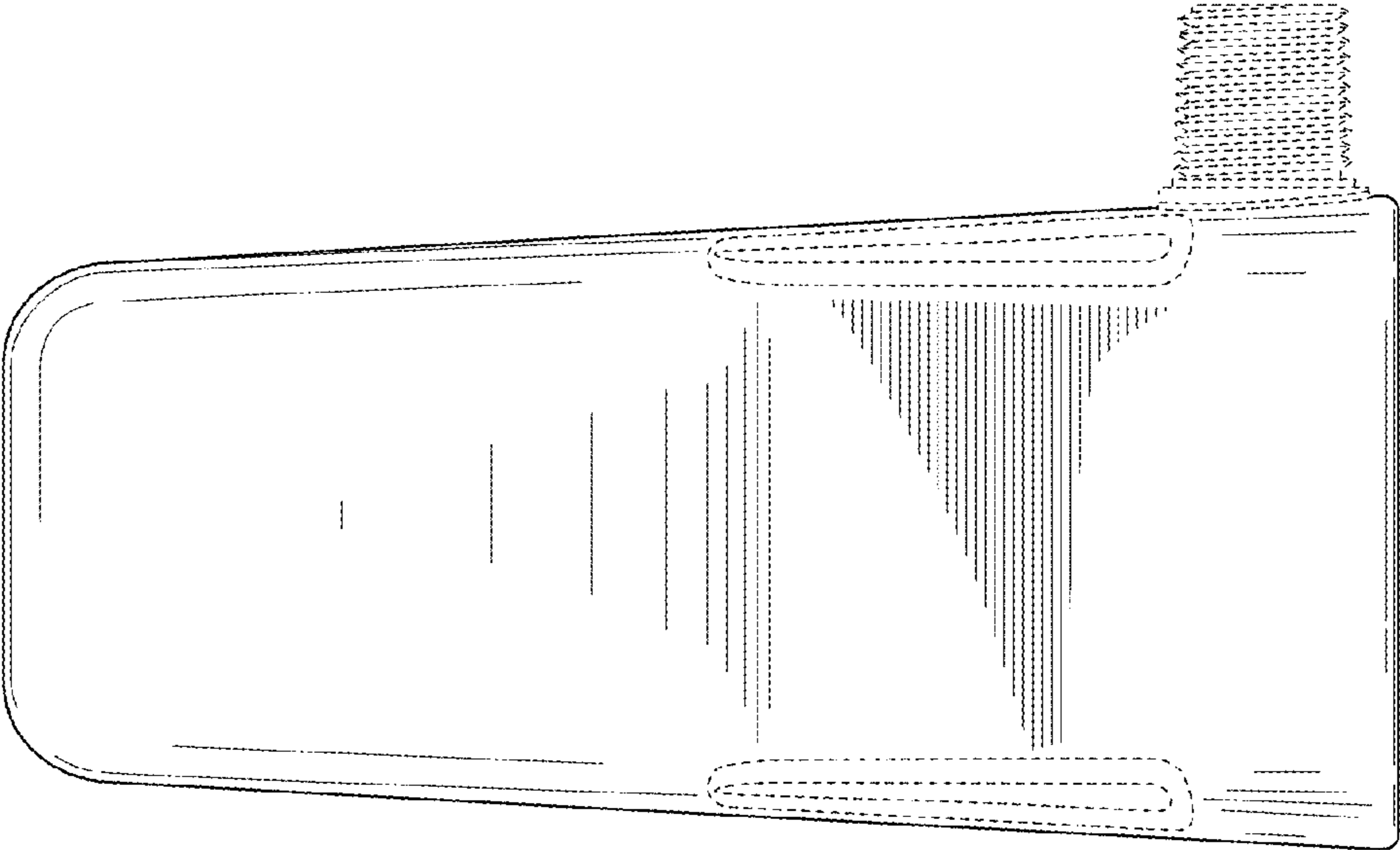
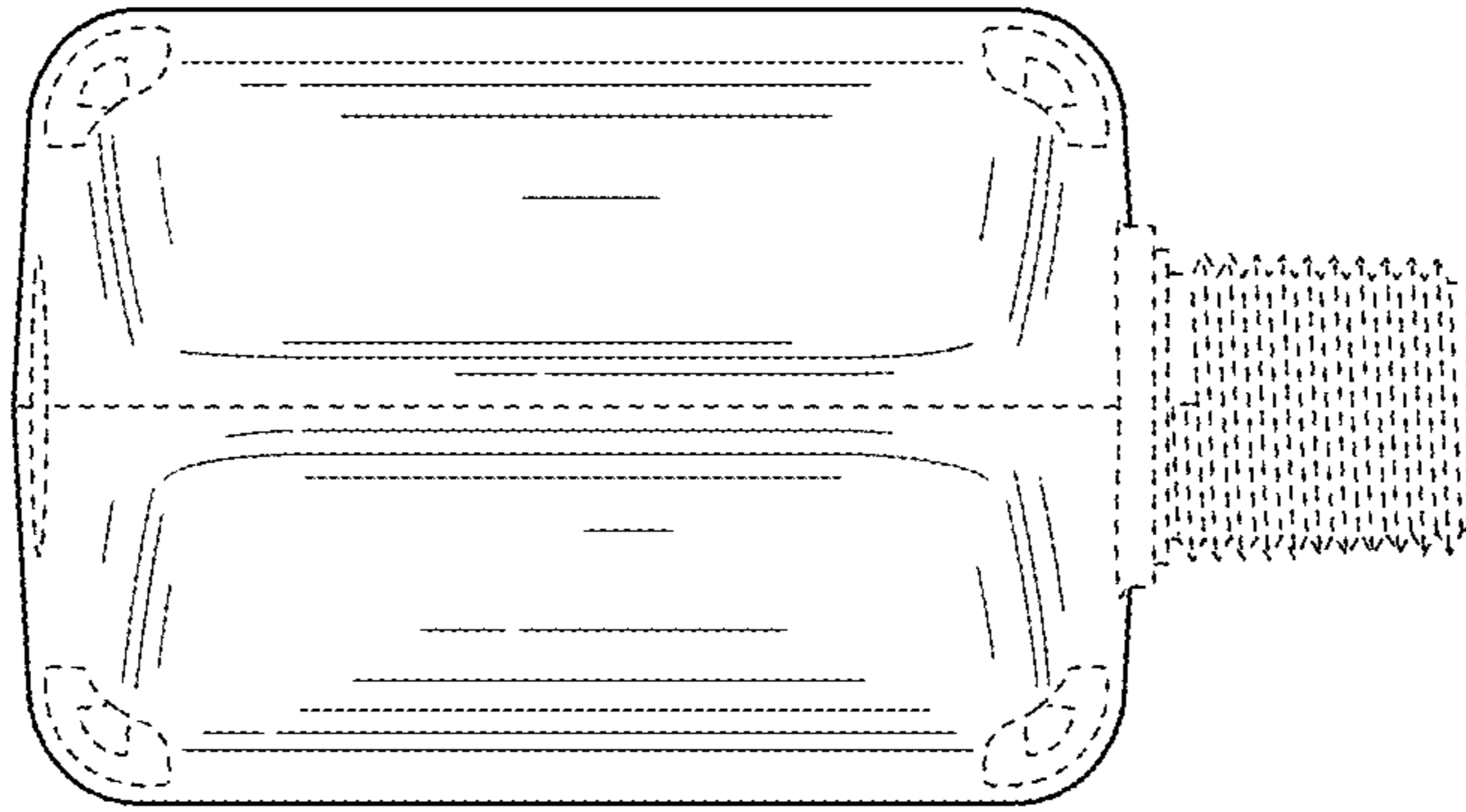
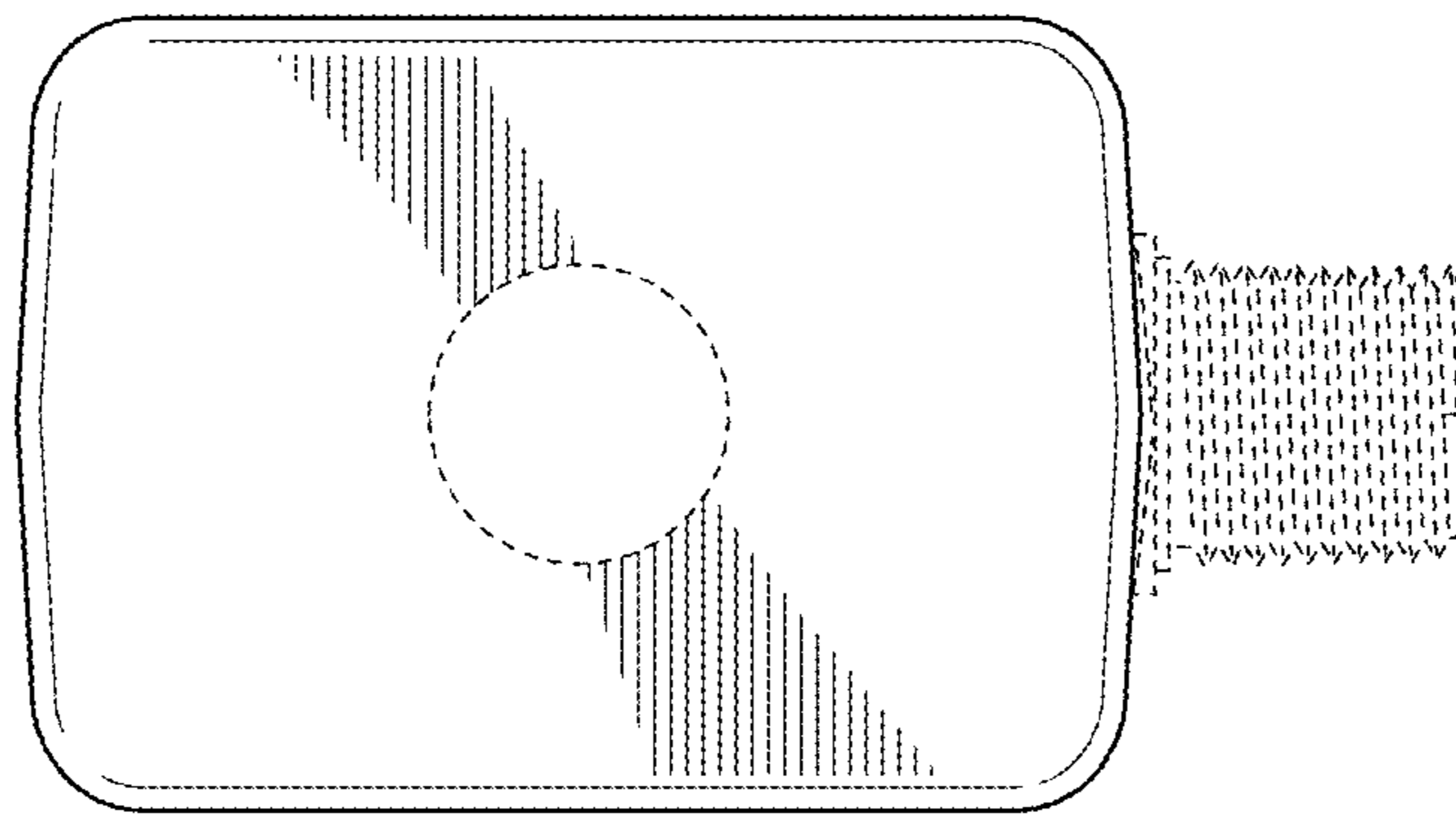


FIG. 4



**FIG. 6**



**FIG. 7**