



US00D719103S

(12) **United States Design Patent**  
**Liang et al.**

(10) **Patent No.:** **US D719,103 S**  
(45) **Date of Patent:** **\*\* Dec. 9, 2014**

(54) **CABLE GUIDE**

(71) Applicant: **Nuheat Industries Limited**, Richmond (CA)

(72) Inventors: **Yu Fan Liang**, Richmond (CA); **Pete Pretorius**, Langley (CA)

(73) Assignee: **Nuheat Industries Limited**, Richmond, British Columbia (CA)

(\*\*) Term: **14 Years**

(21) Appl. No.: **29/490,307**

(22) Filed: **May 8, 2014**

**Related U.S. Application Data**

(63) Continuation of application No. 29/456,738, filed on Jun. 3, 2013, now Pat. No. Des. 705,740.

(51) **LOC (10) Cl.** ..... **13-03**

(52) **U.S. Cl.**  
USPC ..... **D13/155**

(58) **Field of Classification Search**  
CPC .. B60R 16/0207; B60R 16/0215; H02G 3/04; H02G 3/30; H02G 3/283; H02G 3/0406; H02G 3/0437; H02G 11/00; H05K 9/0007  
USPC ..... D13/155, 153, 154, 156, 157, 184, 199; D8/349, 354, 356, 394; 174/68.1, 68.2, 174/68.3; 248/49, 53, 60; 361/827; 385/134, 135; 439/207, 210, 445, 446, 439/447

See application file for complete search history.

(56) **References Cited**

**U.S. PATENT DOCUMENTS**

5,235,136 A \* 8/1993 Santucci et al. .... 174/68.3  
D380,736 S \* 7/1997 Theis et al. .... D13/155

(Continued)

*Primary Examiner* — Derrick Holland

(74) *Attorney, Agent, or Firm* — Dorsey & Whitney LLP

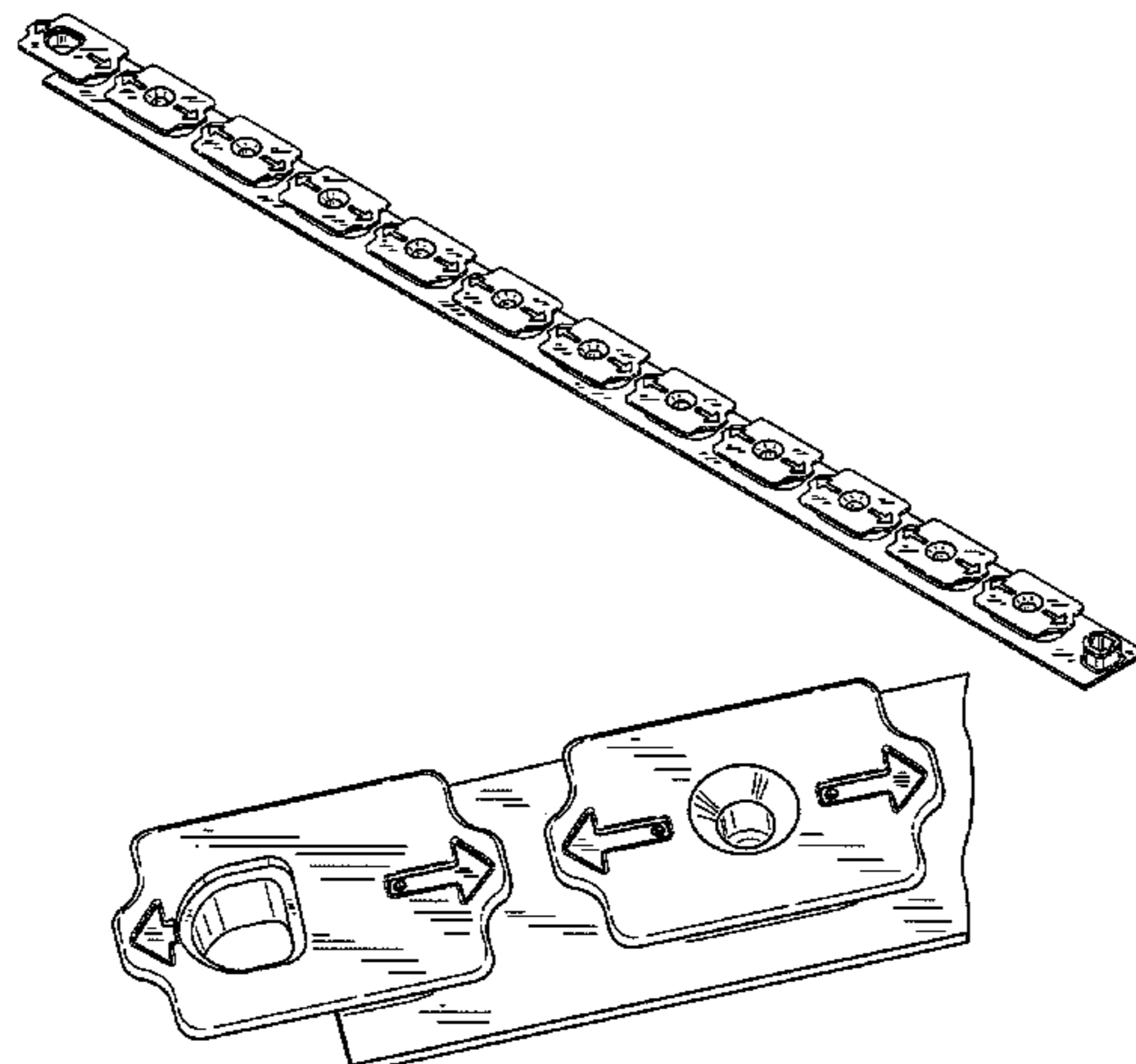
(57) **CLAIM**

We claim the ornamental design for a cable guide, substantially as shown and described.

**DESCRIPTION**

FIG. 1 is a top front isometric view of a cable guide.  
FIG. 2 is a left side elevation view of the cable guide of FIG. 1.  
FIG. 3 is a right side elevation view of the cable guide of FIG. 1.  
FIG. 4 is an enlarged fragmentary view of a portion of the left side elevation view of the cable guide of FIG. 1 as indicated in FIG. 2.  
FIG. 5 is an enlarged fragmentary view of a portion of the right side elevation view of the cable guide of FIG. 1 as indicated in FIG. 3.  
FIG. 6 is an enlarged front elevation view of the cable guide of FIG. 1.  
FIG. 7 is an enlarged rear elevation view of the cable guide of FIG. 1.  
FIG. 8 is a top plan view of the cable guide of FIG. 1.  
FIG. 9 is a bottom plan view of the cable guide of FIG. 1.  
FIG. 10 is a top rear isometric view of the cable guide of FIG. 1.  
FIG. 11 is a bottom rear isometric view of the cable guide of FIG. 1.  
FIG. 12 is an enlarged fragmentary top isometric view of a portion of the rear of the cable guide of FIG. 1 as indicated in FIG. 10.  
FIG. 13 is an enlarged fragmentary top isometric view of a portion of the front of the cable guide of FIG. 1 as indicated in FIG. 10.  
FIG. 14 is an enlarged fragmentary bottom isometric view of a portion of the rear of the cable guide of FIG. 1 as indicated in FIG. 11; and,  
FIG. 15 is an enlarged fragmentary bottom isometric view of a portion of the front of the cable guide of FIG. 1 as indicated in FIG. 11. The dot dash broken lines shown in FIGS. 2, 3, 10 and 11 are used to identify the portions of the design enlarged in FIGS. 4, 5, and 12-15 as indicated and form no part of the claimed design.

**1 Claim, 9 Drawing Sheets**



(56)

**References Cited**

U.S. PATENT DOCUMENTS

D468,699	S *	1/2003	Bjorklund et al. ....	D13/155	7,362,941	B2 *	4/2008	Rinderer et al. ....	385/134
6,872,888	B2 *	3/2005	Santelli, Jr. ....	174/68.1	D568,254	S *	5/2008	Patchett et al. ....	D13/155
D520,863	S *	5/2006	Schwartz et al. ....	D8/394	D582,351	S *	12/2008	Gya .....	D13/155
D539,228	S *	3/2007	Toikka et al. ....	D13/155	D597,493	S *	8/2009	Wu .....	D13/155
					RE41,353	E *	5/2010	McGrath et al. ....	385/134
					D626,817	S *	11/2010	Donowho et al. ....	D8/356
					7,999,183	B2 *	8/2011	Garza et al. ....	174/100

\* cited by examiner

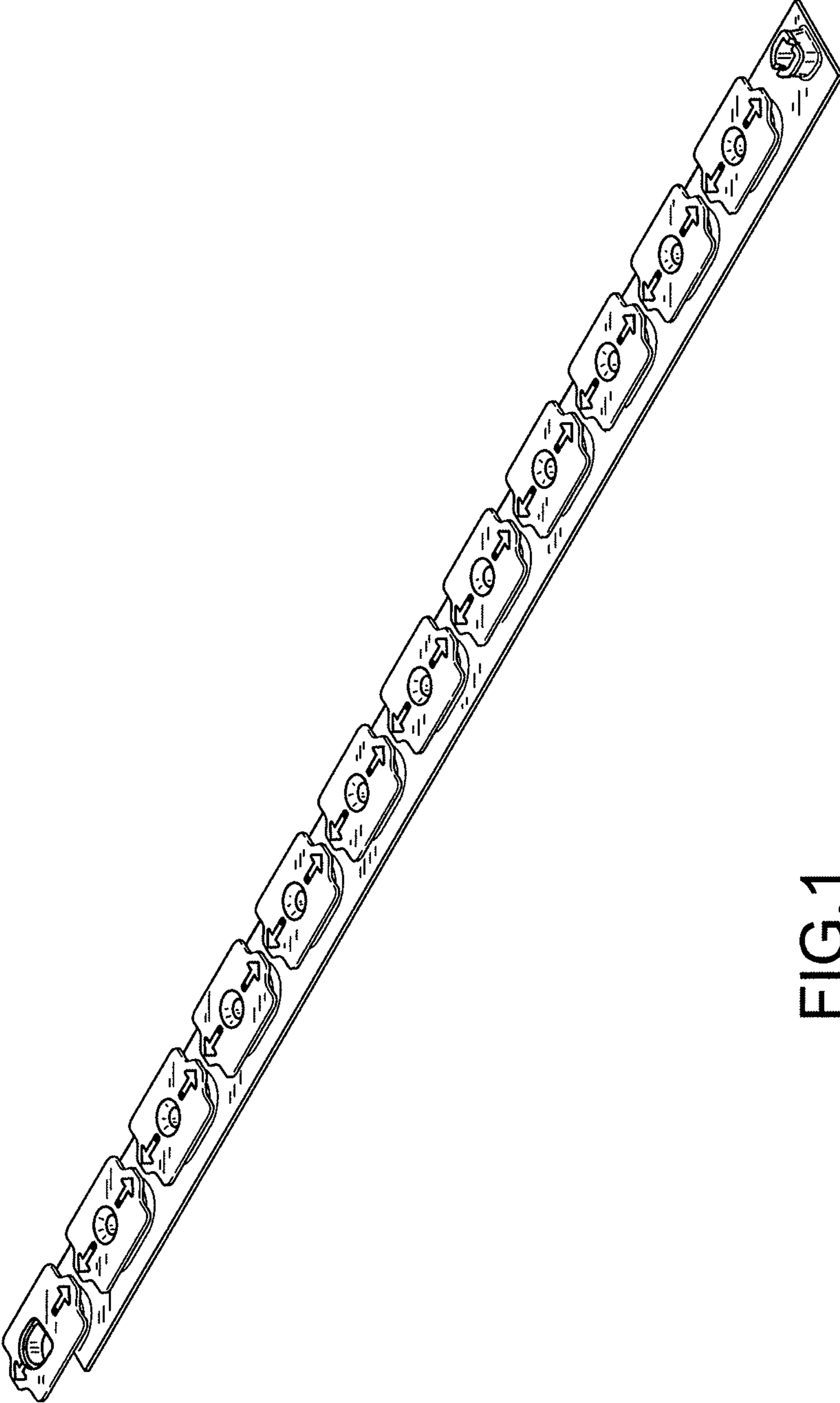


FIG.1

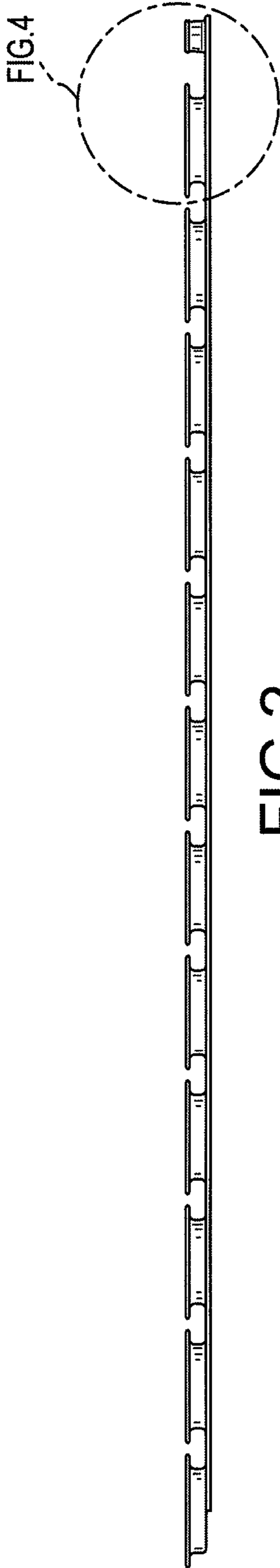


FIG. 2

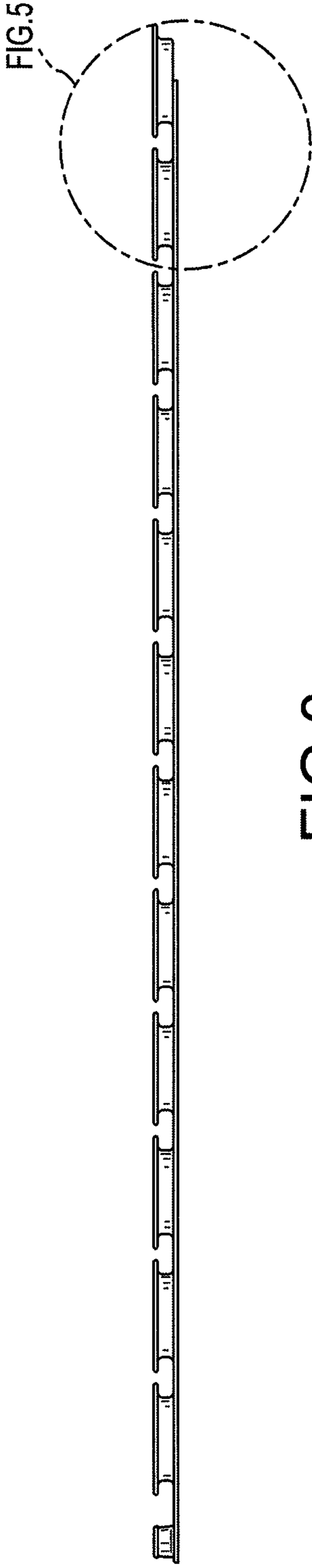


FIG. 3

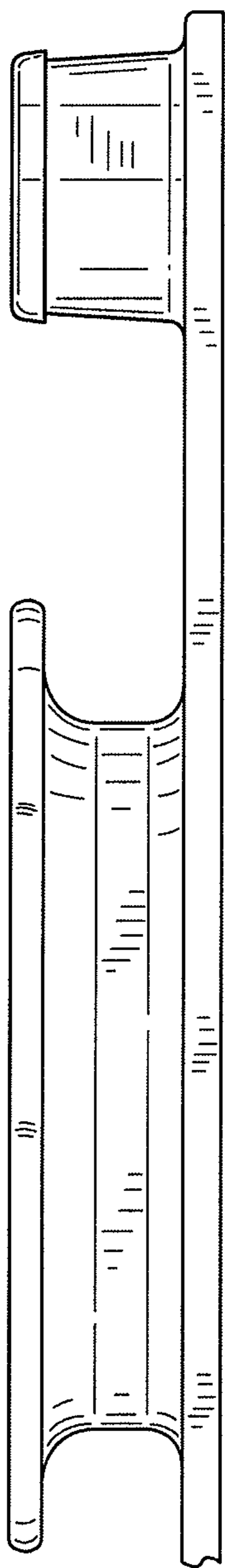


FIG. 4

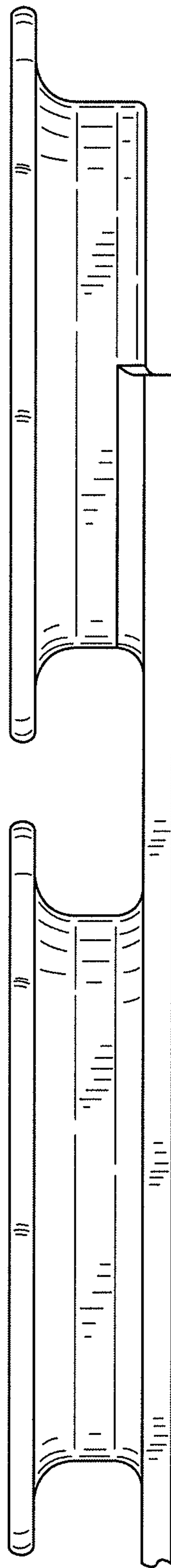


FIG. 5

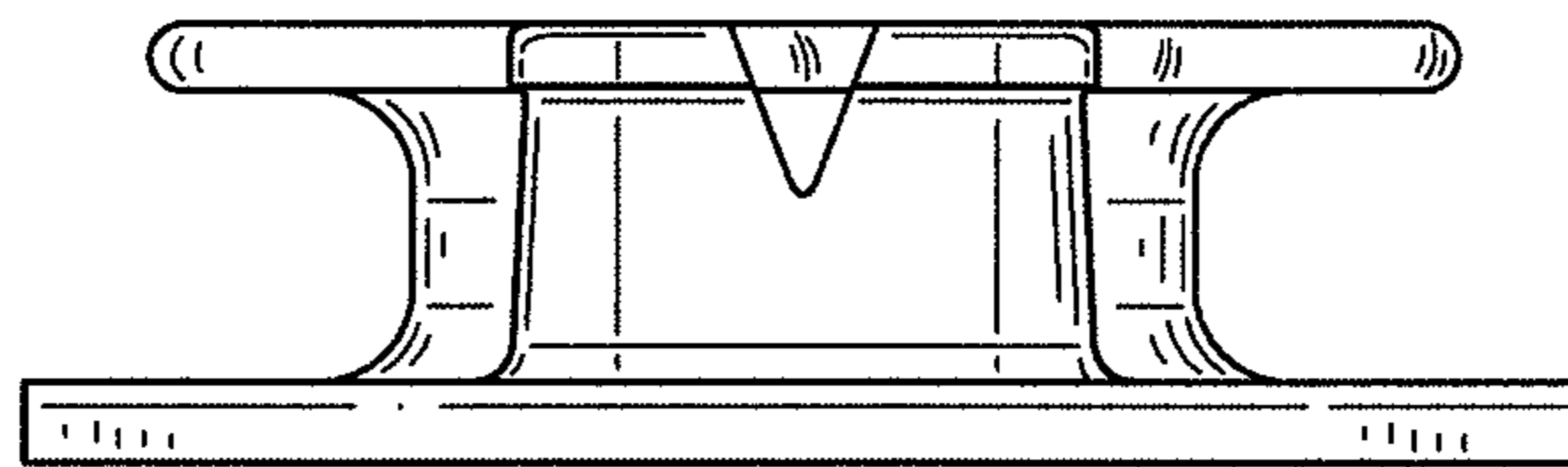


FIG. 6

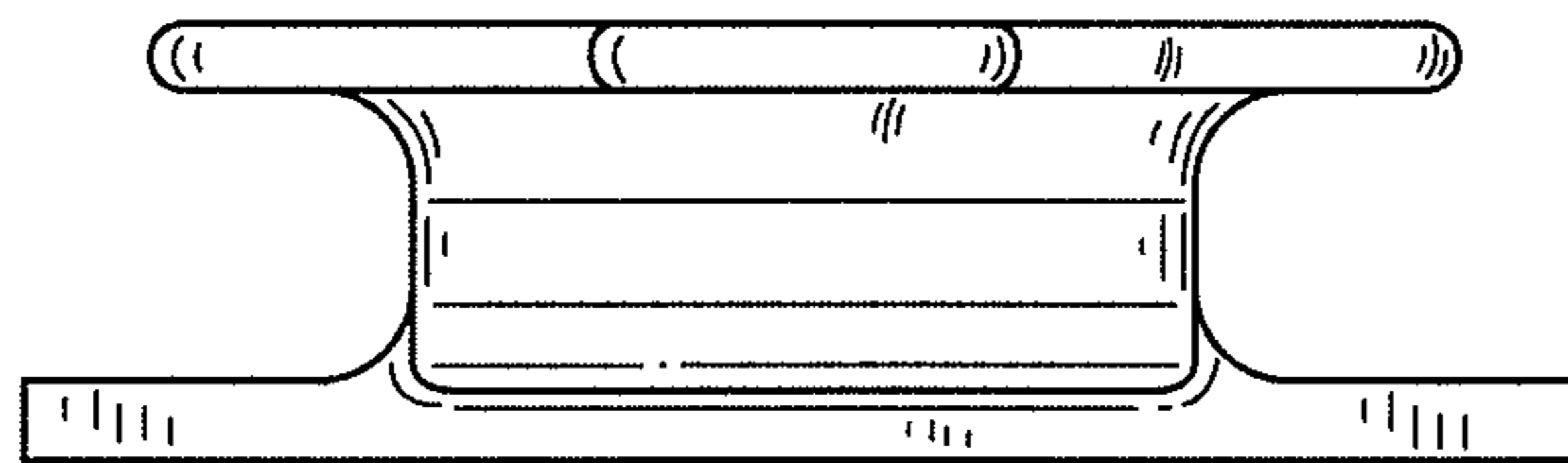


FIG. 7

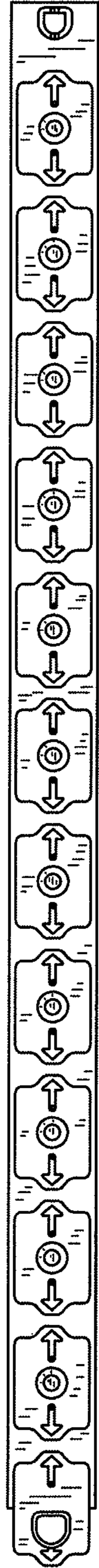


FIG. 8

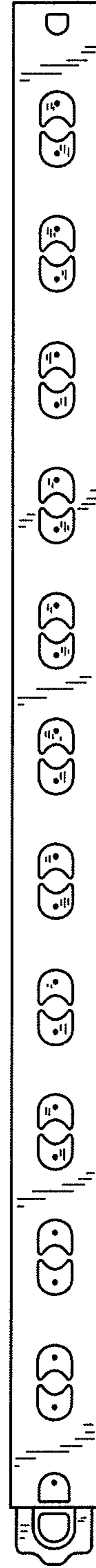
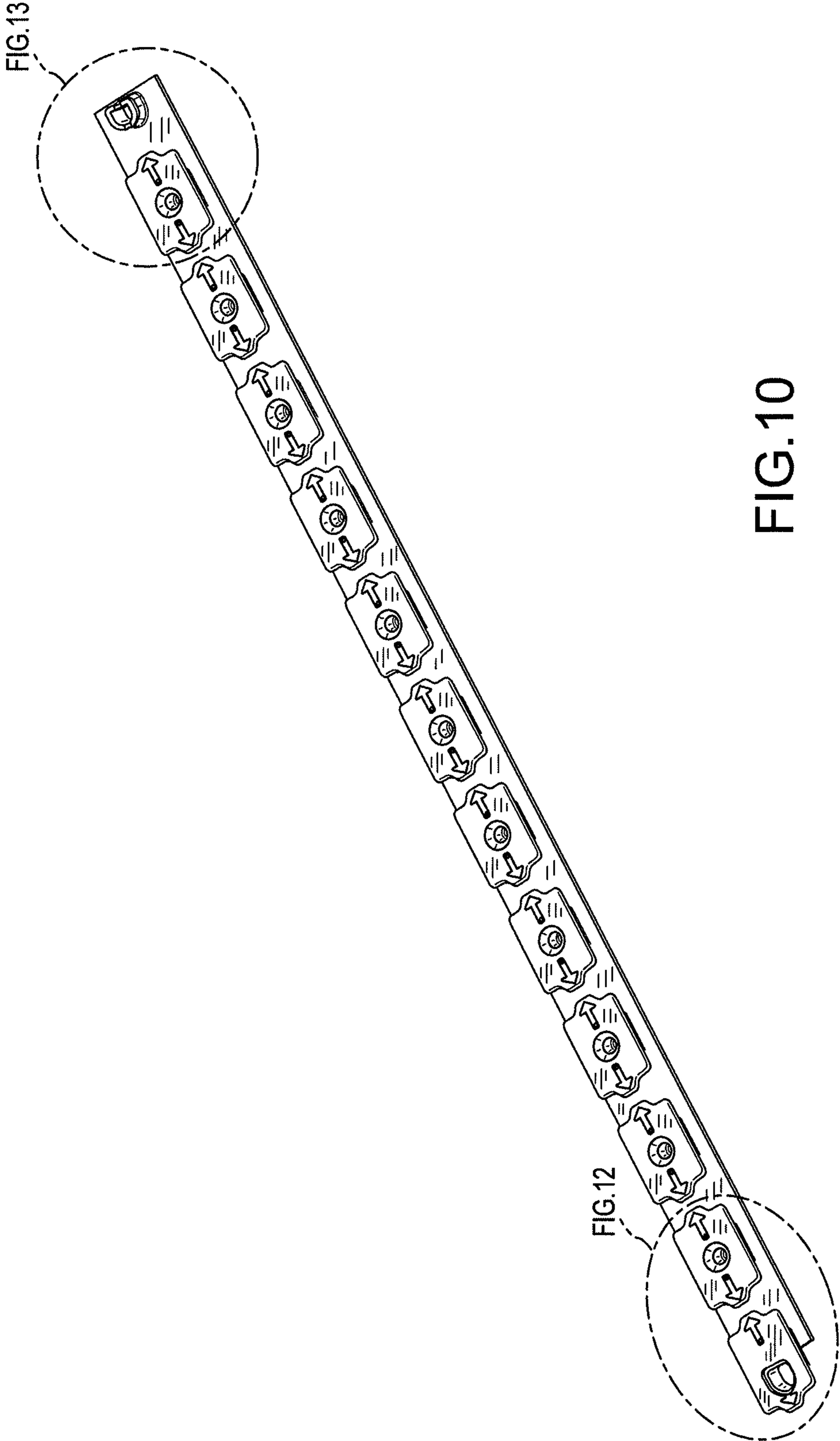


FIG. 9





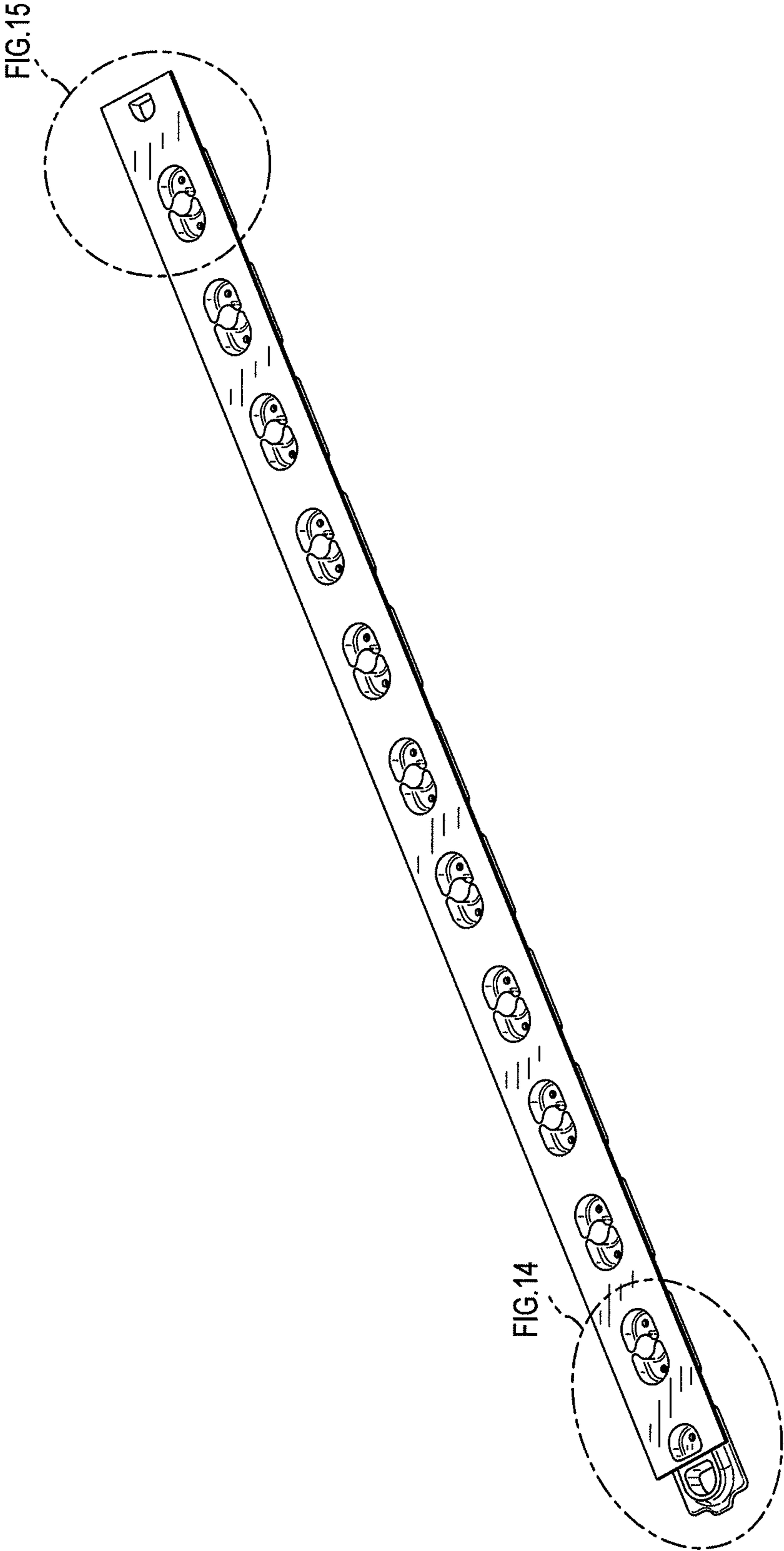


FIG.11

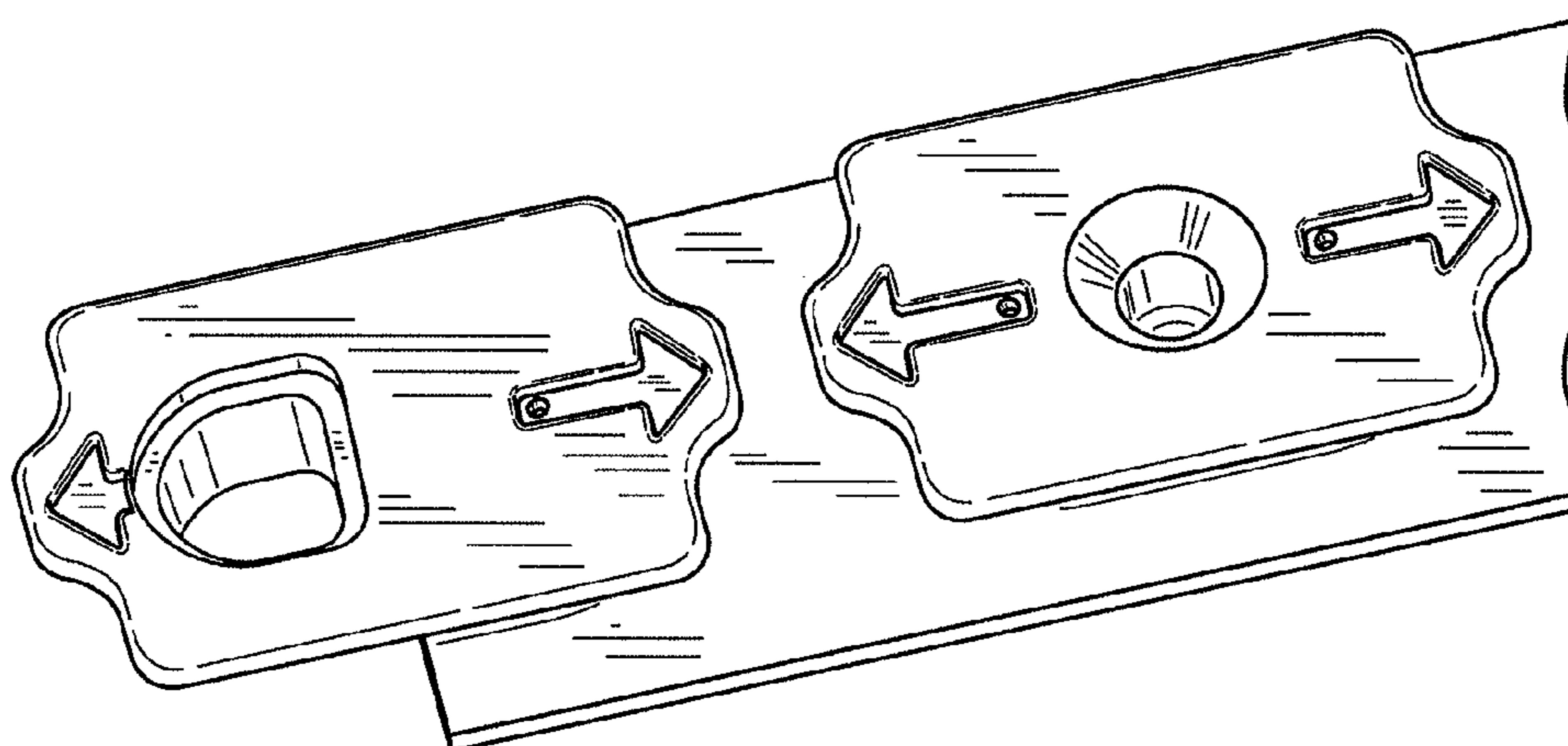


FIG. 12

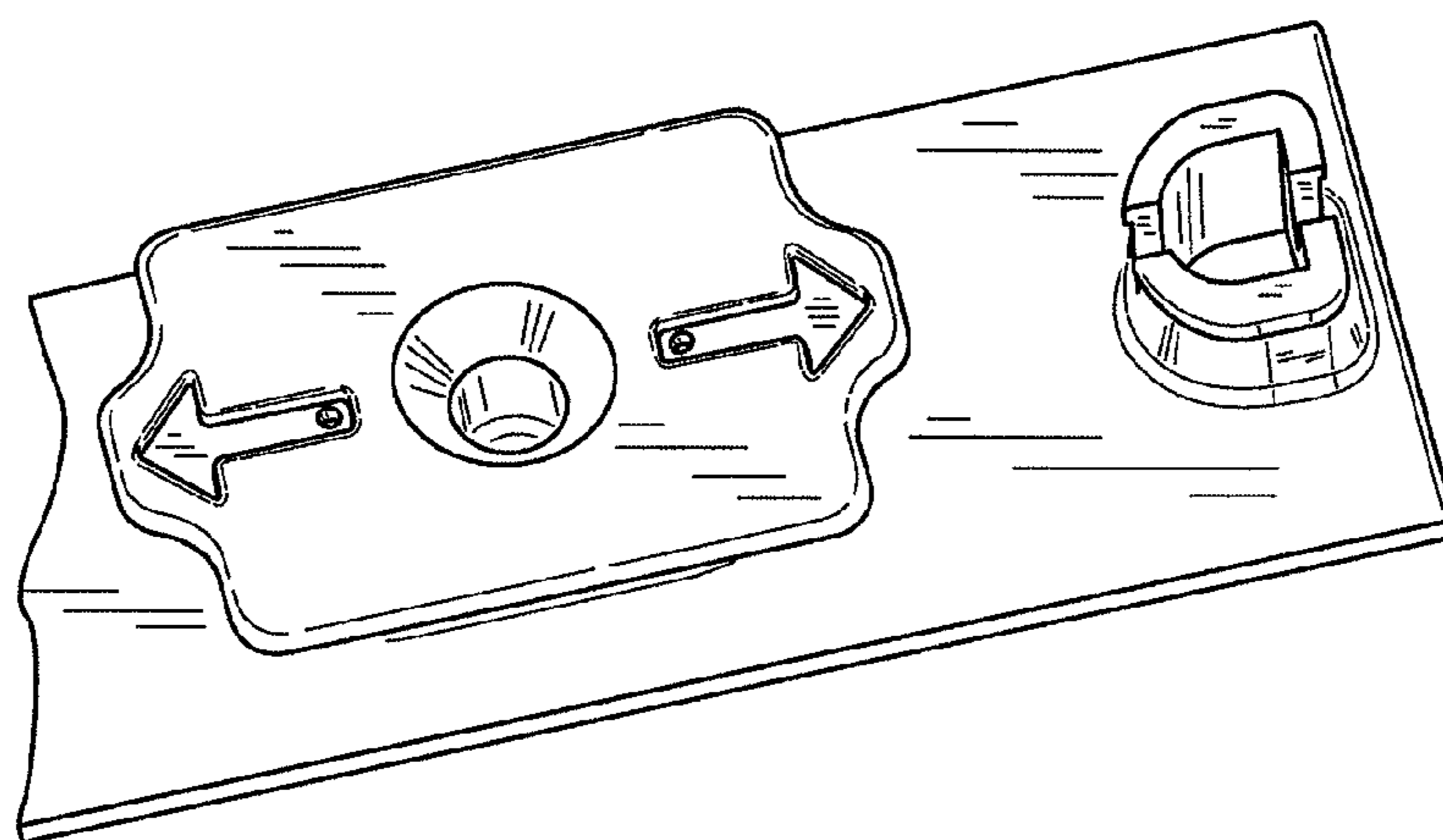


FIG. 13

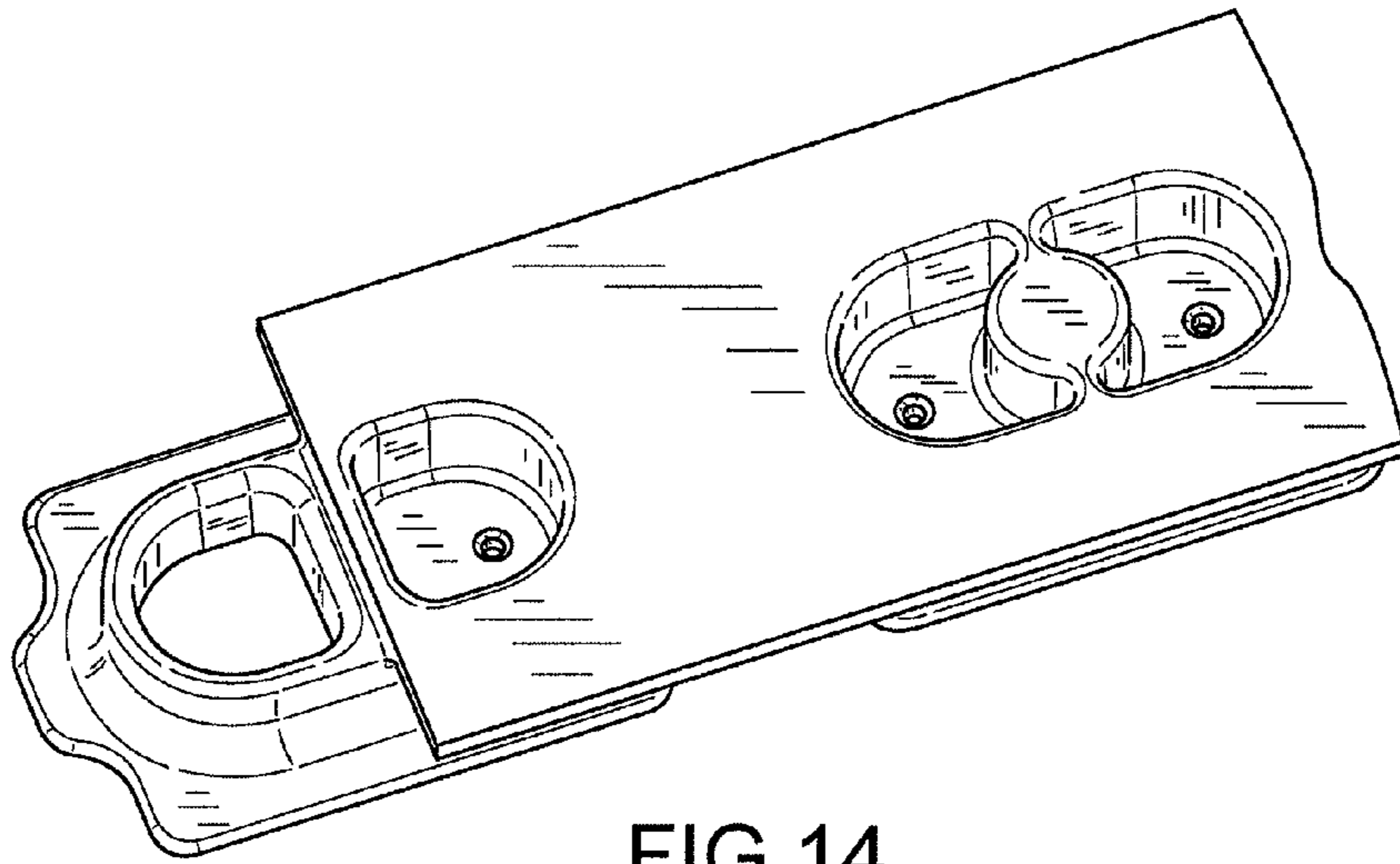


FIG. 14

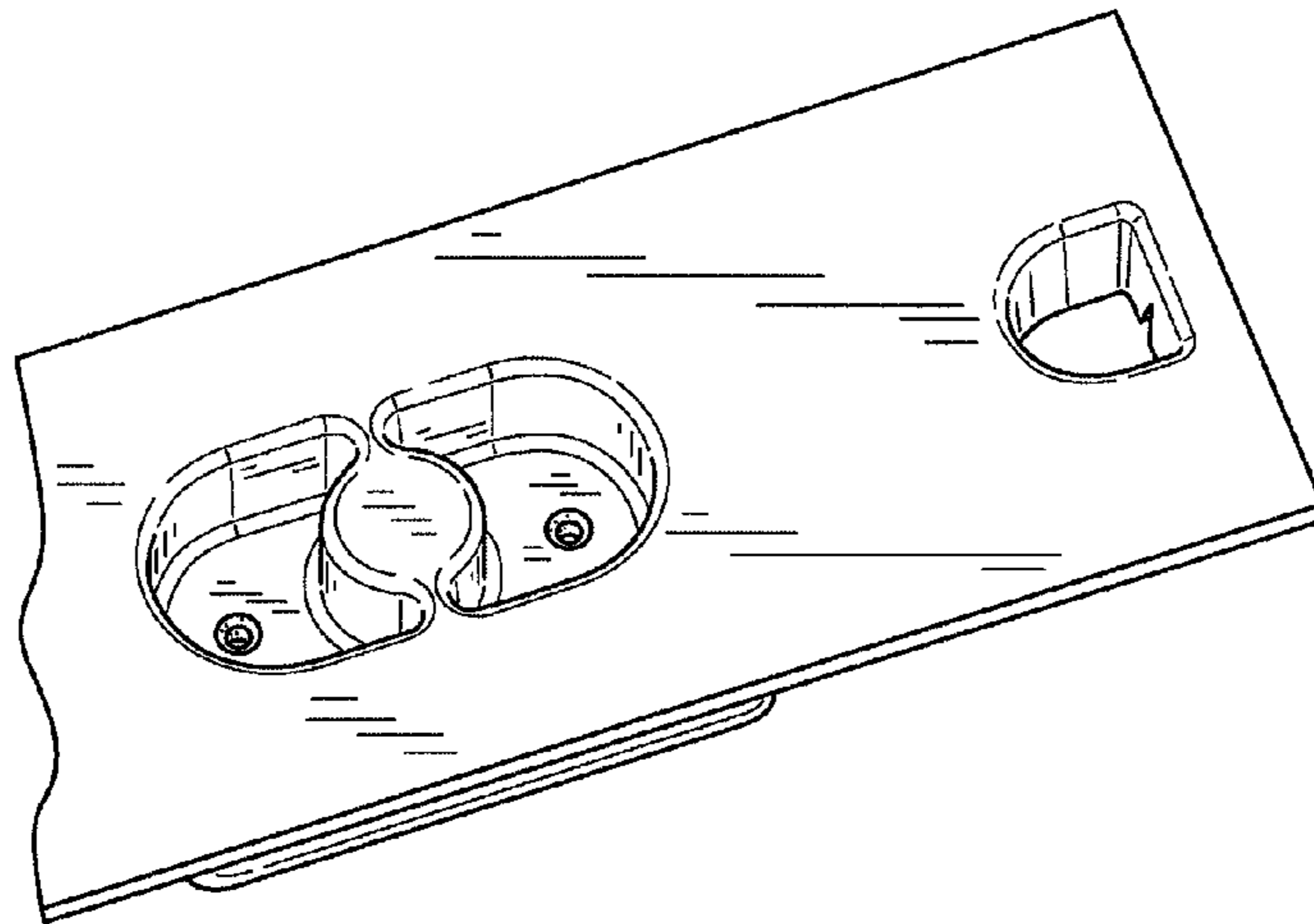


FIG. 15