



US00D719102S

(12) **United States Design Patent**
Blackard

(10) **Patent No.:** **US D719,102 S**

(45) **Date of Patent:** **** Dec. 9, 2014**

(54) **OPTICAL FIBER MANAGEMENT CASSETTE**

(75) Inventor: **Stephen R. Blackard**, Garland, TX (US)

(73) Assignee: **NitroFiber, LLC**, Plano, TX (US)

(**) Term: **14 Years**

(21) Appl. No.: **29/426,356**

(22) Filed: **Jul. 3, 2012**

(51) **LOC (10) Cl.** **13-03**

(52) **U.S. Cl.**
USPC **D13/155**

(58) **Field of Classification Search**
USPC D13/155, 173, 177, 184; D14/257, 258;
385/135–140, 147; 439/540.1, 892,
439/894

See application file for complete search history.

(56) **References Cited**

U.S. PATENT DOCUMENTS

D208,859	S *	10/1967	Dubin et al.	D13/184
6,396,689	B1 *	5/2002	Yu et al.	361/679.48
D497,158	S *	10/2004	Pietras et al.	D14/257
D505,394	S *	5/2005	Fort et al.	D13/170
7,200,317	B2	4/2007	Reagan	
7,302,153	B2	11/2007	Thom	
7,369,741	B2	5/2008	Reagan	
7,400,816	B2	7/2008	Reagan	
7,406,240	B2	7/2008	Murano	
7,751,674	B2	7/2010	Hill	
7,854,624	B1	12/2010	Pepe	
D632,656	S *	2/2011	Karlsson D13/155	
7,914,324	B2 *	3/2011	Pepe et al. 439/540.1	
D638,370	S *	5/2011	Karlsson D13/155	
7,945,138	B2	5/2011	Hill	
8,488,934	B2 *	7/2013	Zhou et al. 385/135	
2009/0097813	A1	4/2009	Hill	
2009/0196563	A1	8/2009	Mullsteff	
2009/0324189	A1	12/2009	Hill	
2010/0109493	A1 *	5/2010	Fargeau et al. 312/7.1	
2011/0217016	A1	9/2011	Mullsteff	
2011/0268404	A1	11/2011	Cote	
2011/0268405	A1	11/2011	Cote	
2011/0268407	A1	11/2011	Cowen	

2011/0268409	A1	11/2011	Giraud	
2012/0051707	A1	3/2012	Barnes	
2012/0057838	A1 *	3/2012	Hill et al.	385/135
2012/0189261	A1 *	7/2012	Denter et al.	385/135

FOREIGN PATENT DOCUMENTS

EP	1399800	B1	3/2007
EP	1616210	B1	6/2007
EP	1591815	B1	9/2009

OTHER PUBLICATIONS

<http://www.globenewswire.com/newsroom/news.html?d=244360>
Feb. 1, 2012.
Andrew S. Powell, Sub-Department of Particle Physics, University of Oxford, LHCb Internal Note, Overview of the RICH Optical Data Link and Evaluation of its Optical Attenuation, Jan. 2006.
www.AFLglobal.com, Fiber Inside Plant, May 24, 2011.
www.AFLtele.com, Fiber Apparatus, Mar. 16, 2006.

* cited by examiner

Primary Examiner — Thomas Johannes

Assistant Examiner — Khawaja Anwar

(74) *Attorney, Agent, or Firm* — Andrews Kurth LLP

(57) **CLAIM**

The ornamental design for an optical fiber management cassette, as shown and described.

DESCRIPTION

This application is related to co-pending design patent application Ser. No. 29/426,354, entitled “Optical Fiber Management Bracket” filed on Jul. 3, 2012, and to non-provisional patent application Ser. No. 13/541,419, entitled “Optical Fiber Connectivity Management System” also filed on Jul. 3, 2012.

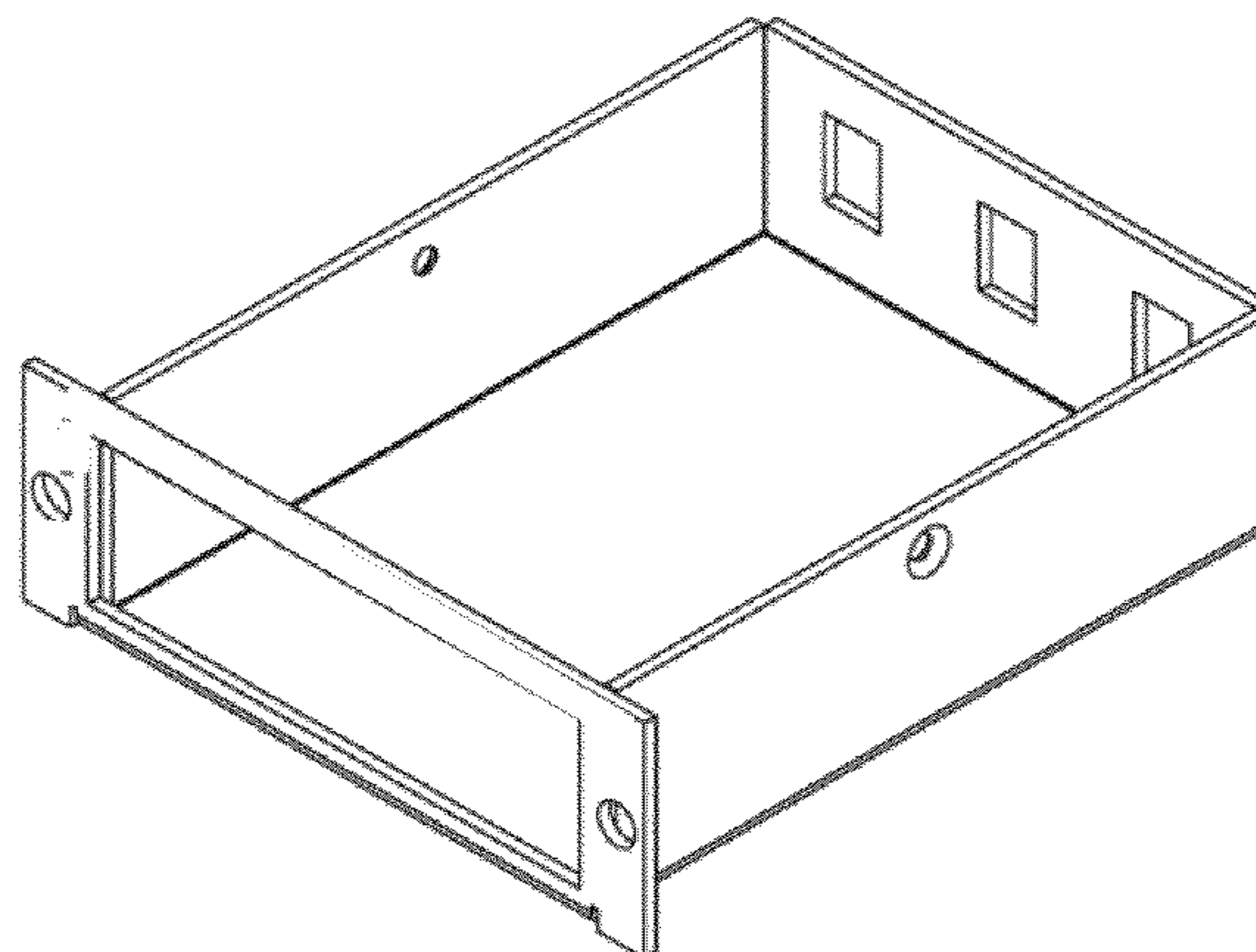
FIG. 1 is a perspective view of an optical fiber management cassette showing our new design;

FIG. 2 is a front elevation view thereof;

FIG. 3 is a side elevation view thereof; and,

FIG. 4 is a bottom plan view thereof.

1 Claim, 1 Drawing Sheet



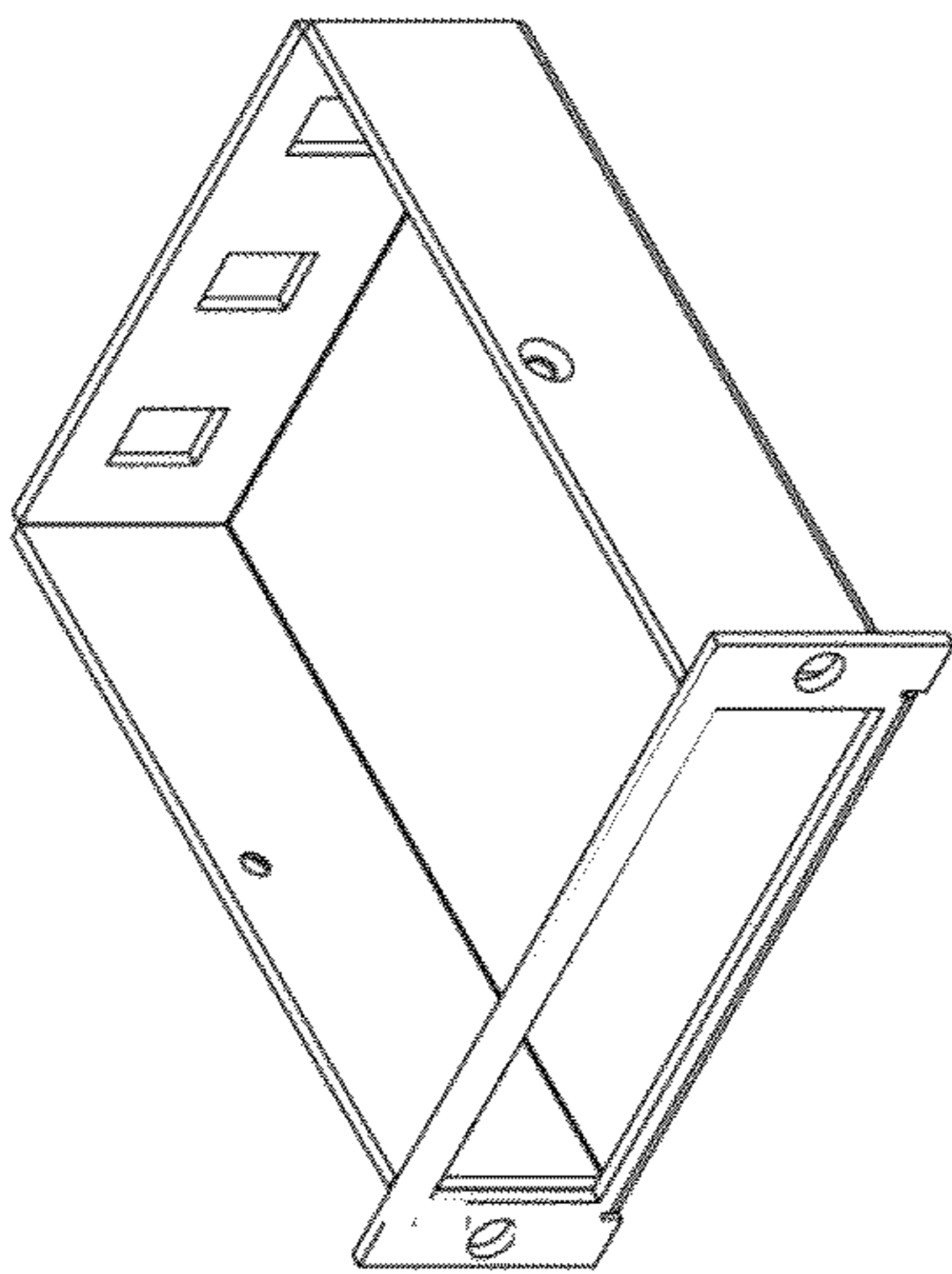


FIG. 1

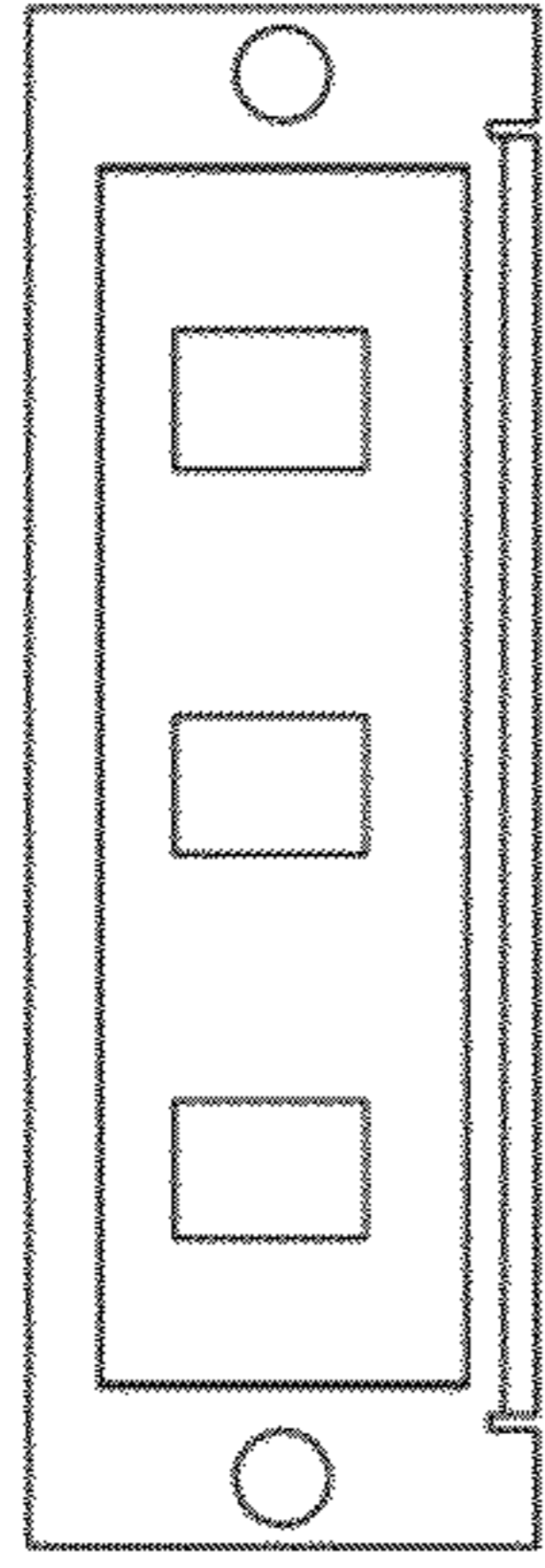


FIG. 2

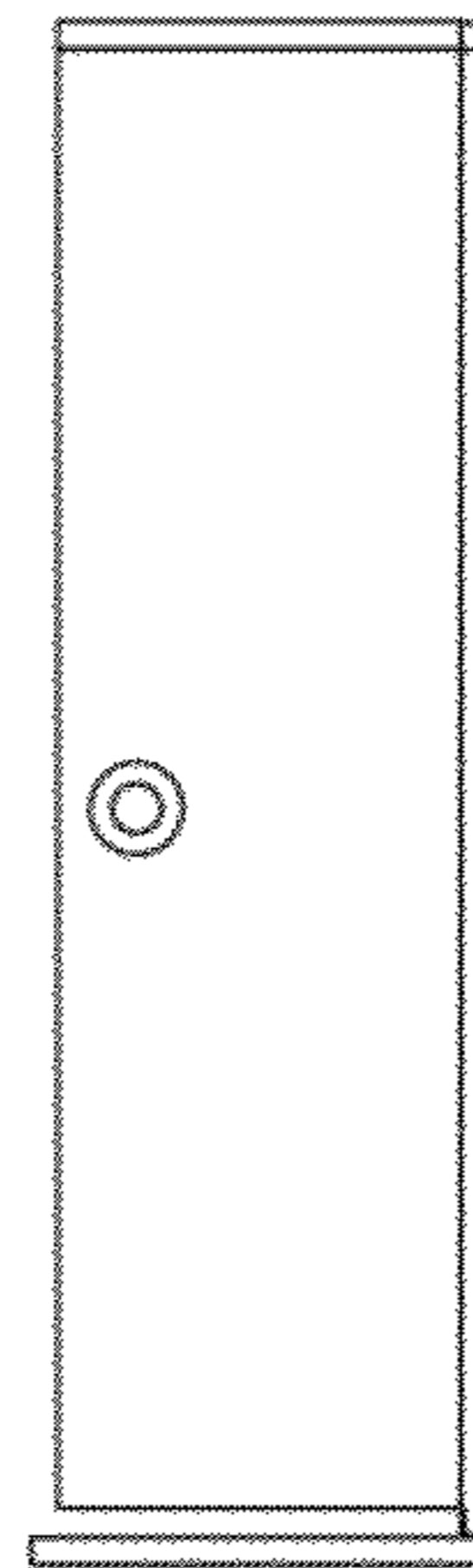


FIG. 3

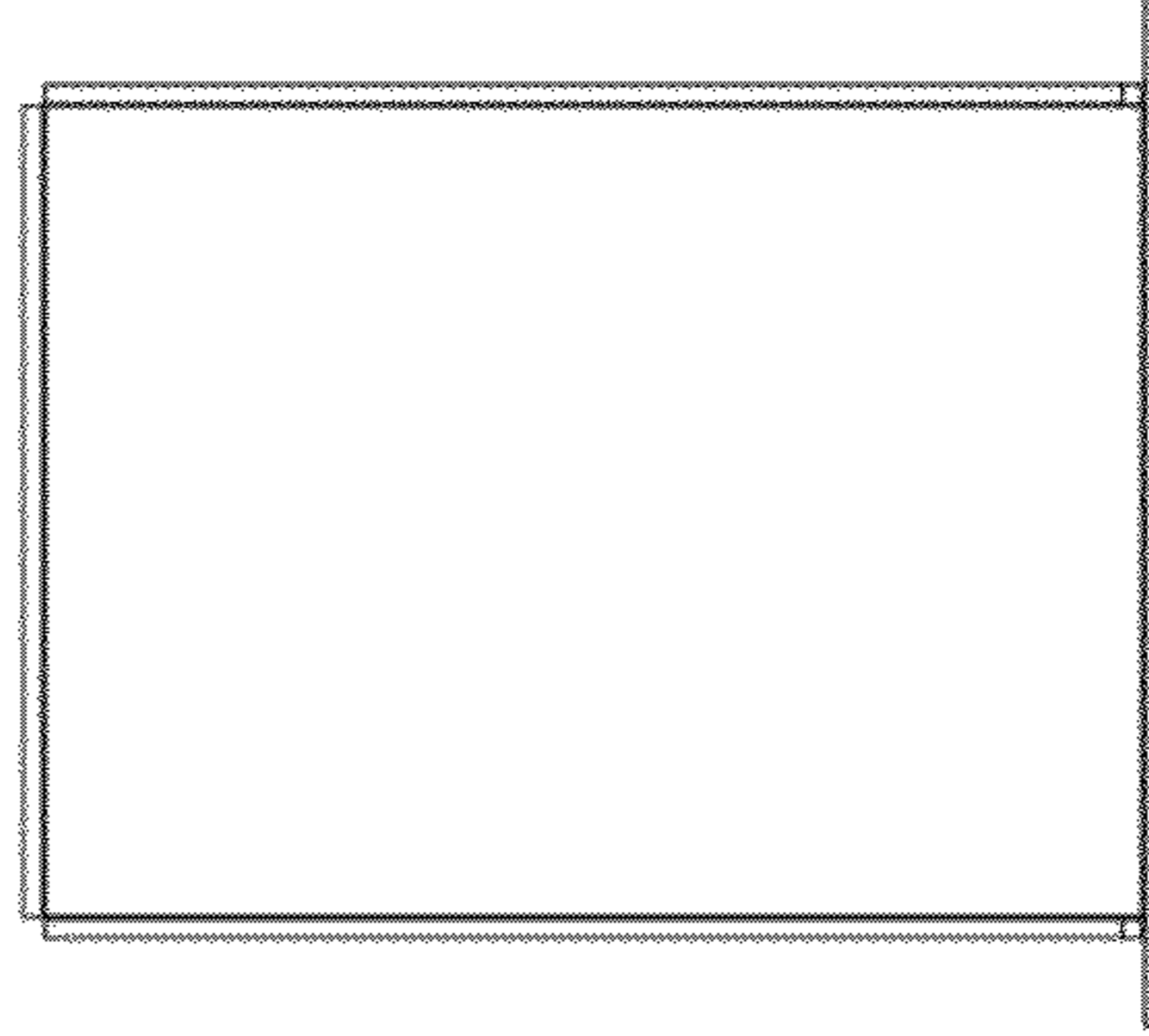


FIG. 4