



US00D719101S

(12) **United States Design Patent**  
**Kimura et al.**

(10) **Patent No.:** **US D719,101 S**  
(45) **Date of Patent:** **\*\* Dec. 9, 2014**

(54) **ELECTRICAL CONTACT FOR USE IN A  
PLATING APPARATUS**

(71) Applicant: **Ebara Corporation**, Tokyo (JP)

(72) Inventors: **Masaaki Kimura**, Tokyo (JP);  
**Mitsutoshi Yahagi**, Tokyo (JP);  
**Toshikazu Yajima**, Tokyo (JP)

(73) Assignee: **Ebara Corporation**, Tokyo (JP)

(\*\*) Term: **14 Years**

(21) Appl. No.: **29/488,146**

(22) Filed: **Apr. 16, 2014**

**Related U.S. Application Data**

(62) Division of application No. 29/463,693, filed on Jan. 28, 2014, which is a division of application No. 29/462,320, filed on Aug. 1, 2013, now Pat. No. Des. 706,224.

(51) **LOC (10) Cl.** ..... **13-03**

(52) **U.S. Cl.**  
USPC ..... **D13/154**

(58) **Field of Classification Search**  
USPC ..... D13/147, 154, 184, 194; 439/476.1,  
439/502, 505, 607.01, 607.04, 607.05,  
439/607.17, 607.25, 607.34, 607.41,  
439/607.53, 623, 660, 668, 680, 792, 894  
See application file for complete search history.

(56) **References Cited**

U.S. PATENT DOCUMENTS

5,043,528	A	8/1991	Mohr	
D428,598	S *	7/2000	Carter-Williams et al.	D13/154
6,500,012	B1	12/2002	Billenstein et al.	
6,737,340	B2 *	5/2004	Meier et al.	438/557
D519,931	S	5/2006	Van Haaster	
D556,692	S	12/2007	Yahagi et al.	
D624,025	S	9/2010	Luo et al.	
D651,178	S	12/2011	Fujikata et al.	
D669,439	S	10/2012	Fujikata et al.	
D706,224	S *	6/2014	Kimura et al.	D13/154

\* cited by examiner

*Primary Examiner* — Daniel Bui

(74) *Attorney, Agent, or Firm* — Pearne & Gordon LLP

(57) **CLAIM**

The ornamental design for an electrical contact for use in a plating apparatus, as shown and described.

**DESCRIPTION**

FIG. 1 is a front perspective view of an electrical contact for use in a plating apparatus showing our new design;  
FIG. 2 is a rear perspective view thereof;  
FIG. 3 is a front elevation view thereof;  
FIG. 4 is a bottom plan view thereof;  
FIG. 5 is a top plan view thereof;  
FIG. 6 is a rear elevation view thereof; and,  
FIG. 7 is a right side elevation view thereof, a left side view being identical thereto.

**1 Claim, 2 Drawing Sheets**

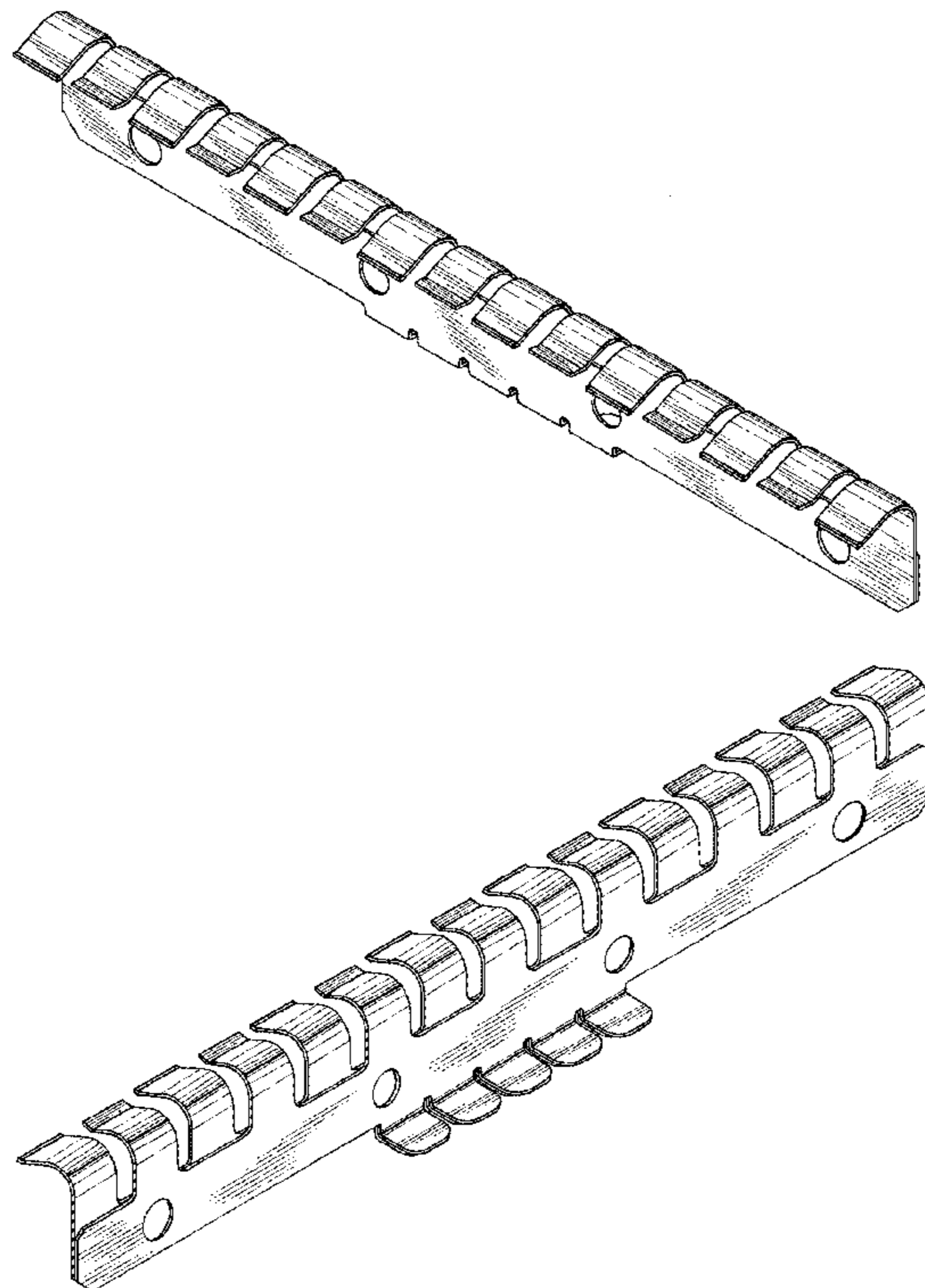


FIG. 1

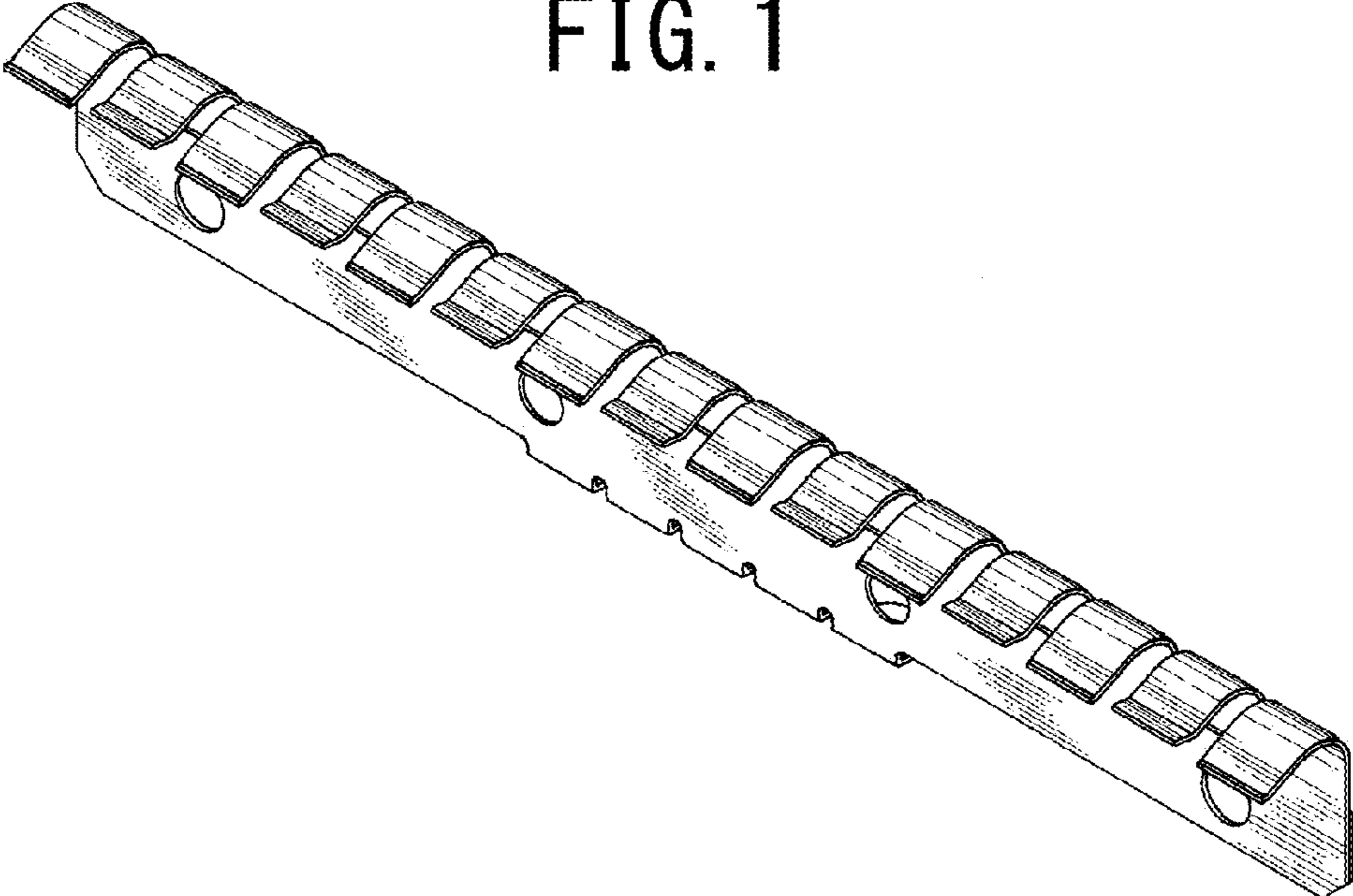


FIG. 2

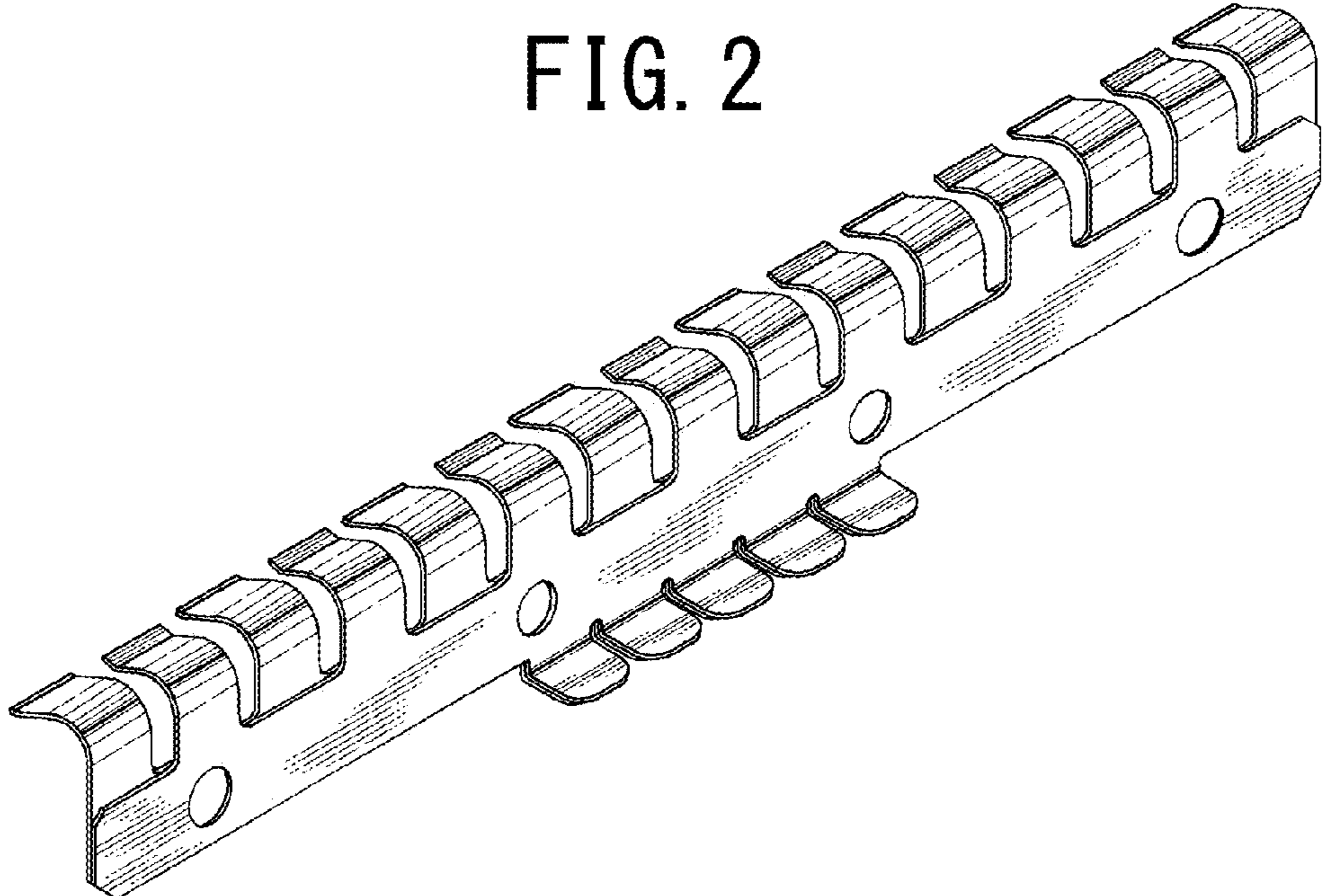


FIG. 3

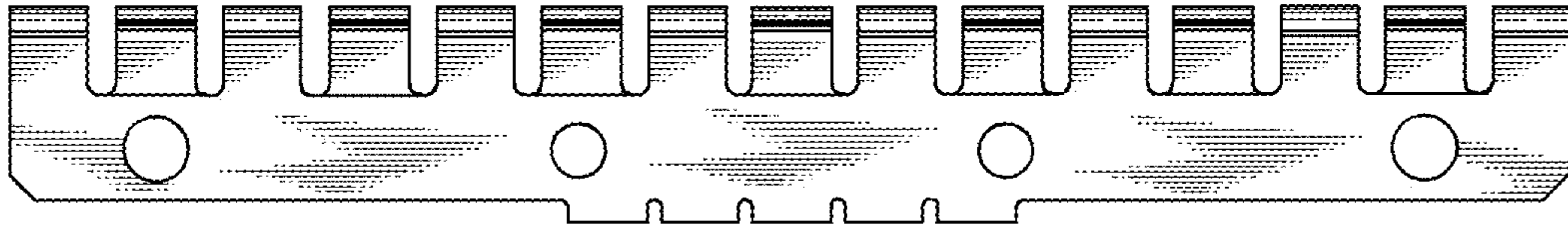


FIG. 4

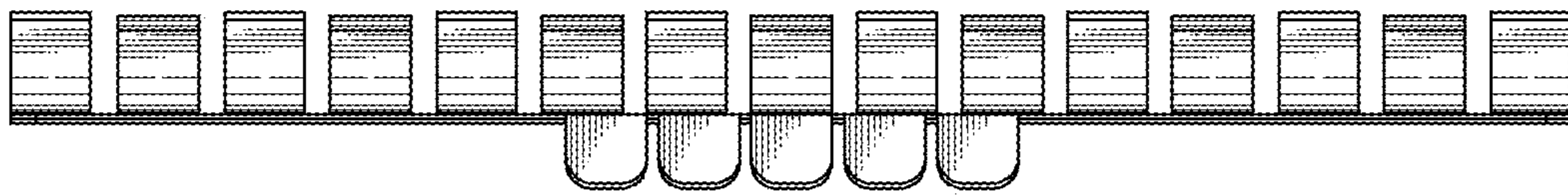


FIG. 5

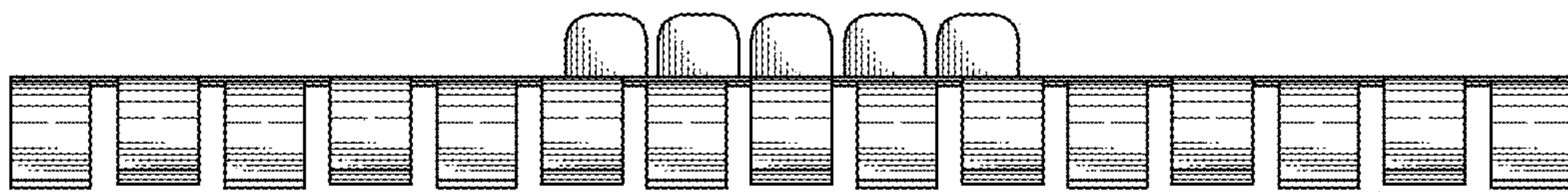


FIG. 6

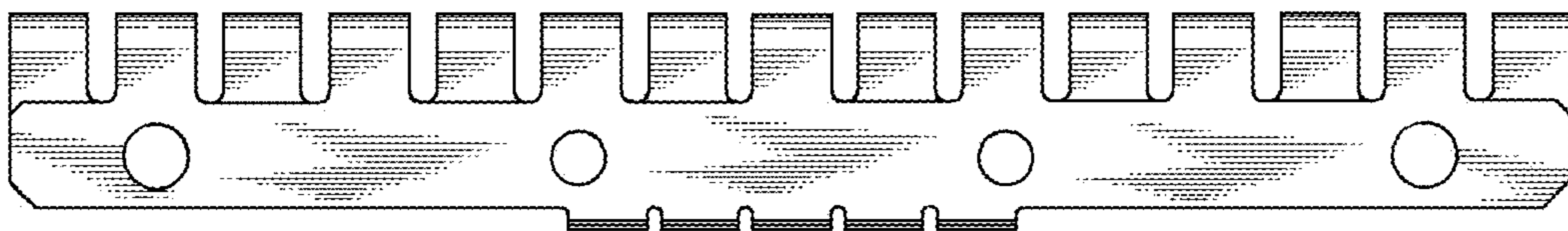


FIG. 7

