



US00D719100S

(12) **United States Design Patent**
Yeh et al.

(10) **Patent No.:** **US D719,100 S**
(45) **Date of Patent:** **** Dec. 9, 2014**

- (54) **CPU CARRIER ASSEMBLY**
- (71) Applicant: **Hon Hai Precision Industry Co., Ltd.**,
New Taipei (TW)
- (72) Inventors: **Cheng-Chi Yeh**, New Taipei (TW);
Ting-Yao Hung, New Taipei (TW);
Albert Harvey Terhune, IV, Chandler,
AZ (US)
- (73) Assignee: **Hon Hai Precision Industry Co., Ltd.**,
New Taipei (TW)
- (**) Term: **14 Years**

| | | | | | |
|--------------|------|--------|--------------|-------|---------|
| 6,927,981 | B1 * | 8/2005 | Kao | | 361/740 |
| D596,124 | S * | 7/2009 | Ma et al. | | D13/133 |
| D631,847 | S * | 2/2011 | Ma et al. | | D13/154 |
| 2008/0113545 | A1 * | 5/2008 | Zhang et al. | | 439/345 |
| 2009/0104794 | A1 * | 4/2009 | Ma | | 439/66 |

* cited by examiner

Primary Examiner — Daniel Bui

(74) *Attorney, Agent, or Firm* — Wei Te Chung; Ming Chieh Chang

- (21) Appl. No.: **29/475,508**
- (22) Filed: **Dec. 3, 2013**
- (51) **LOC (10) Cl.** **13-03**
- (52) **U.S. Cl.**
USPC **D13/154**
- (58) **Field of Classification Search**
USPC D13/147, 154, 184, 194; 439/64, 79,
439/159, 160, 330, 331, 341, 342, 476.1,
439/607.01, 607.04, 607.05, 607.17,
439/607.25, 607.34, 607.41, 607.53, 629,
439/630, 636, 660, 668, 680, 773, 862, 892,
439/894, 946
See application file for complete search history.

(57) **CLAIM**

The ornamental design for a CPU carrier assembly, as shown and described.

DESCRIPTION

FIG. 1 is a front, top and left side perspective view of a CPU carrier assembly showing our new design;
 FIG. 2 is a front elevational view thereof;
 FIG. 3 is a rear elevational view thereof;
 FIG. 4 is a left side elevational view thereof;
 FIG. 5 is a right side elevational view thereof;
 FIG. 6 is a top plan view thereof;
 FIG. 7 is a bottom plan view thereof;
 FIG. 8 is a perspective view thereof, in use and open condition;
 FIG. 9 is another perspective view thereof, in use and partially closed condition; and,
 FIG. 10 is another perspective view thereof, in use and closed condition.

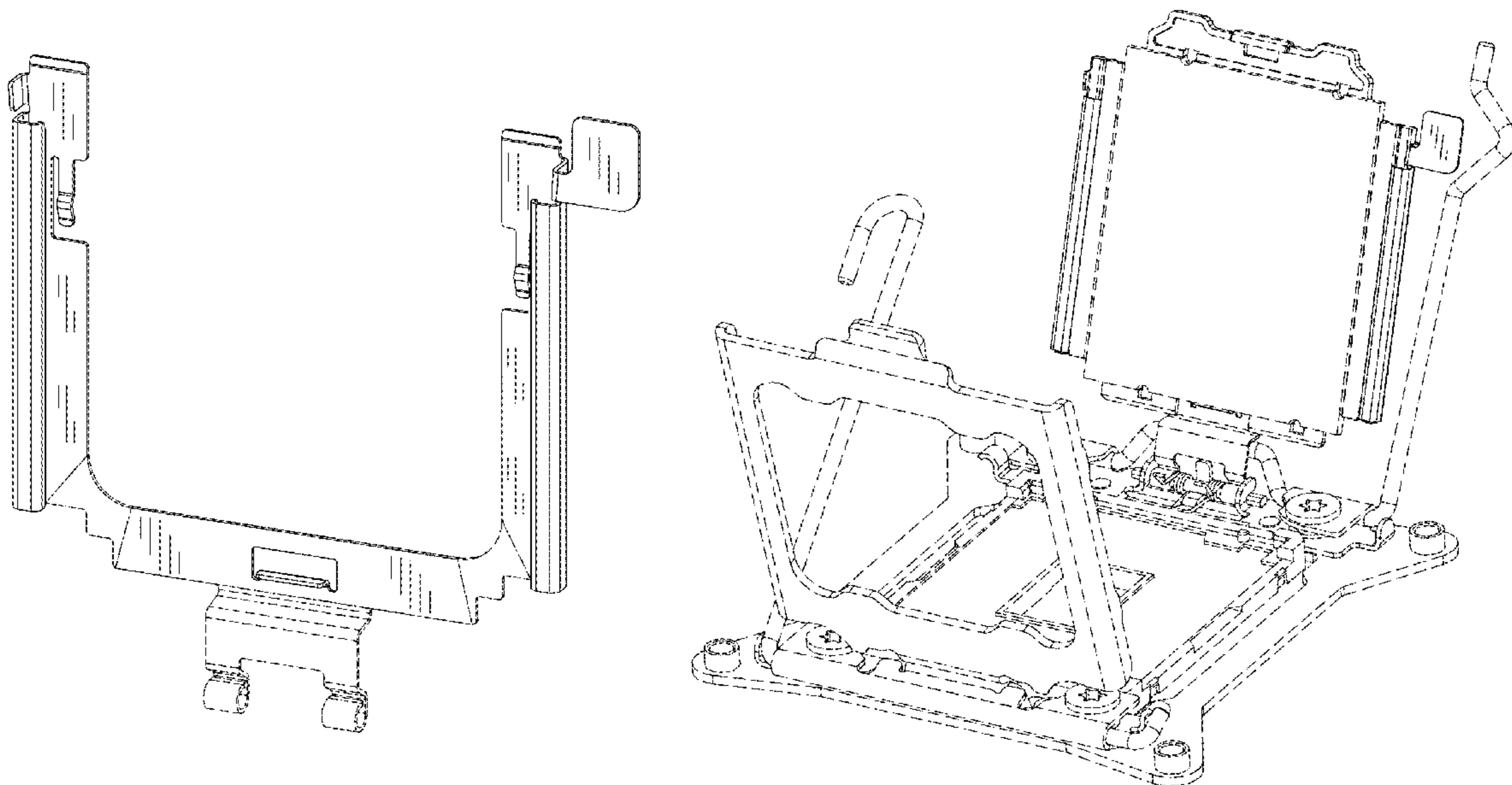
The broken line in the figure drawing views is included for the purpose of illustrating environment and forms no part of the claimed design. The dash-dot line in the figure drawing views represents the boundary of the claimed design.

(56) **References Cited**

U.S. PATENT DOCUMENTS

| | | | | | |
|-----------|------|--------|---------------|-------|---------|
| 6,780,041 | B1 * | 8/2004 | Ma | | 439/342 |
| 6,875,038 | B1 * | 4/2005 | McHugh et al. | | 439/331 |
| D505,921 | S * | 6/2005 | Ma | | D13/149 |
| 6,905,357 | B2 * | 6/2005 | Ma | | 439/331 |
| 6,910,908 | B2 * | 6/2005 | Tran et al. | | 439/342 |

1 Claim, 10 Drawing Sheets



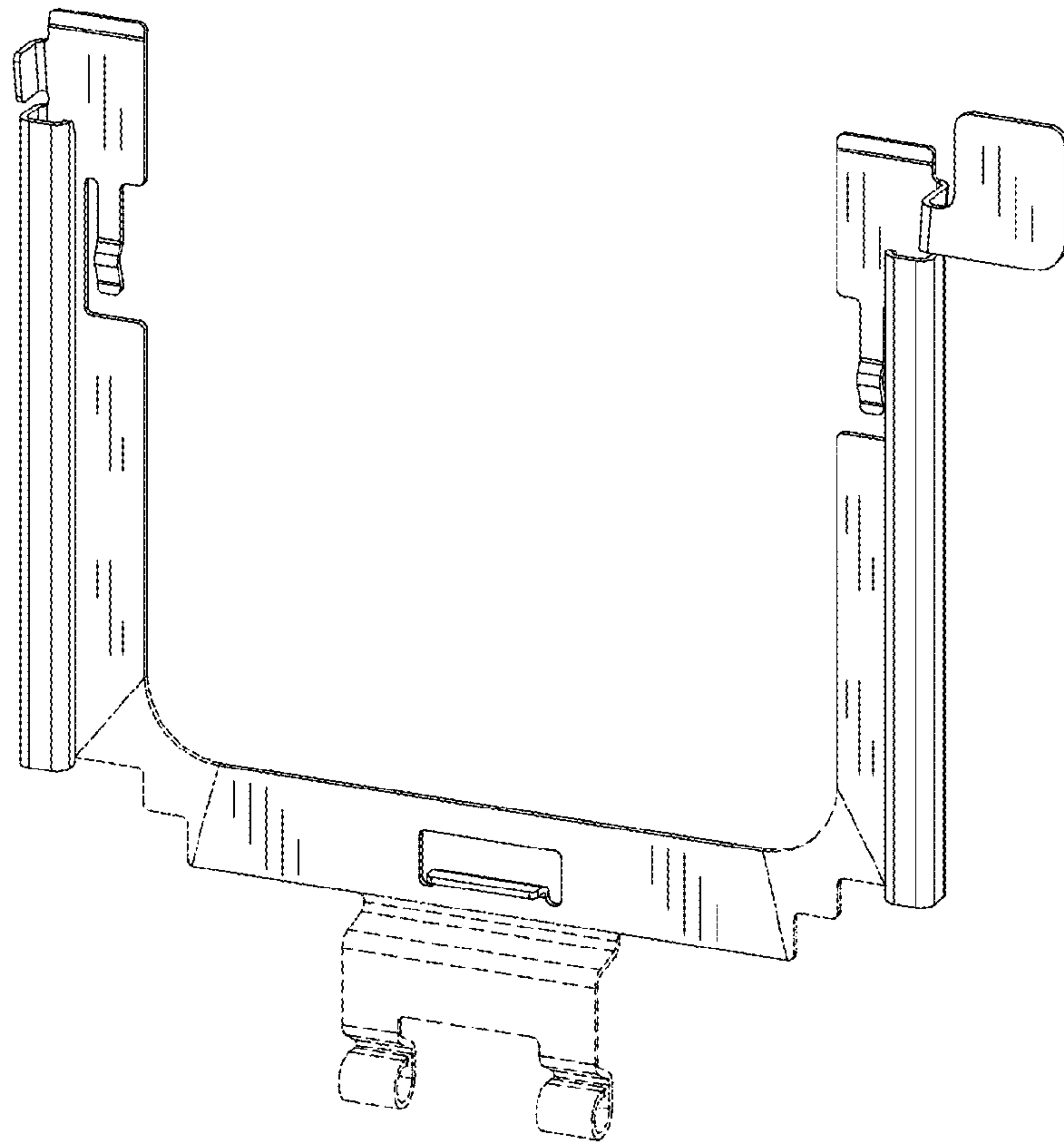


FIG. 1

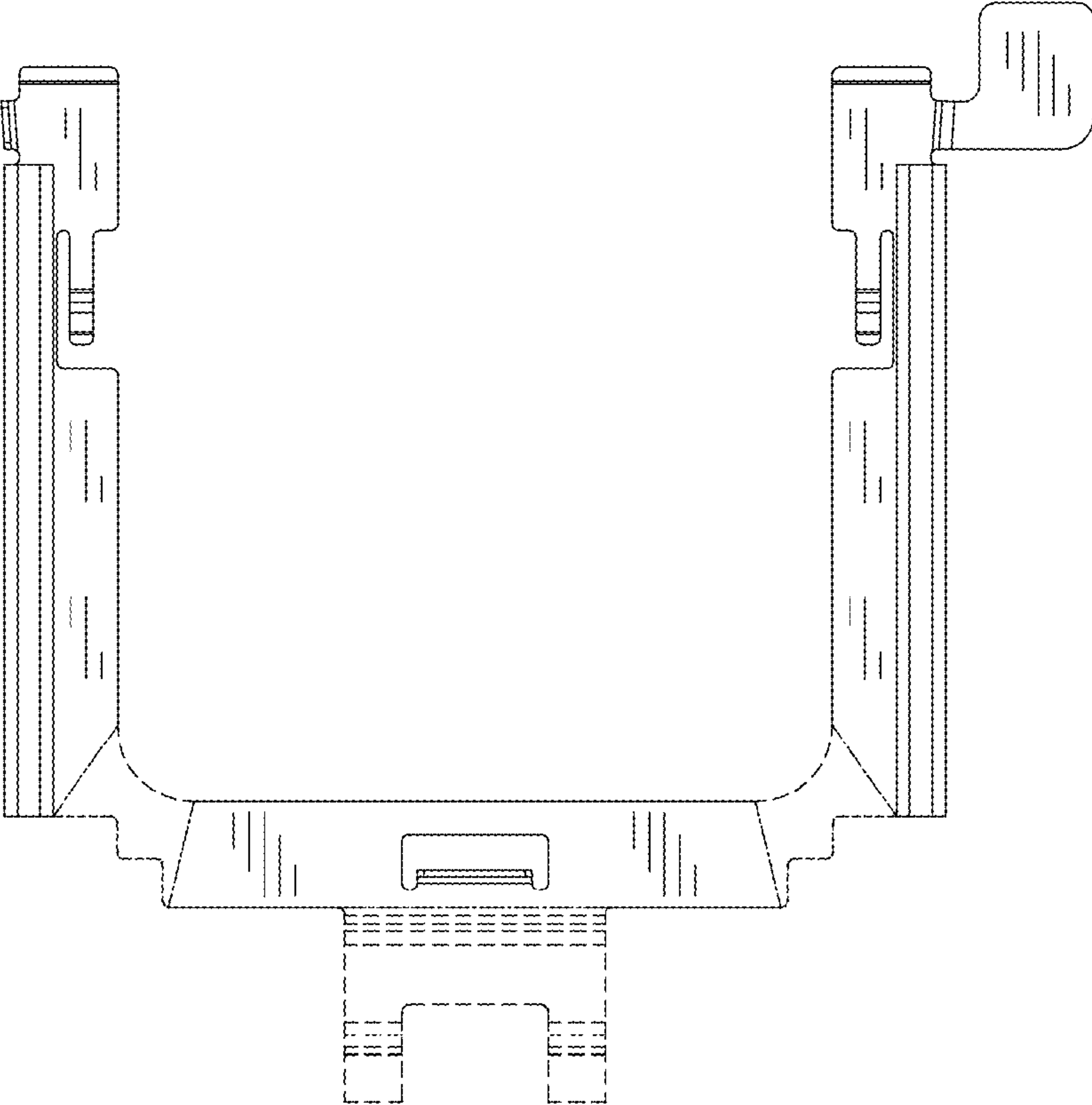


FIG. 2

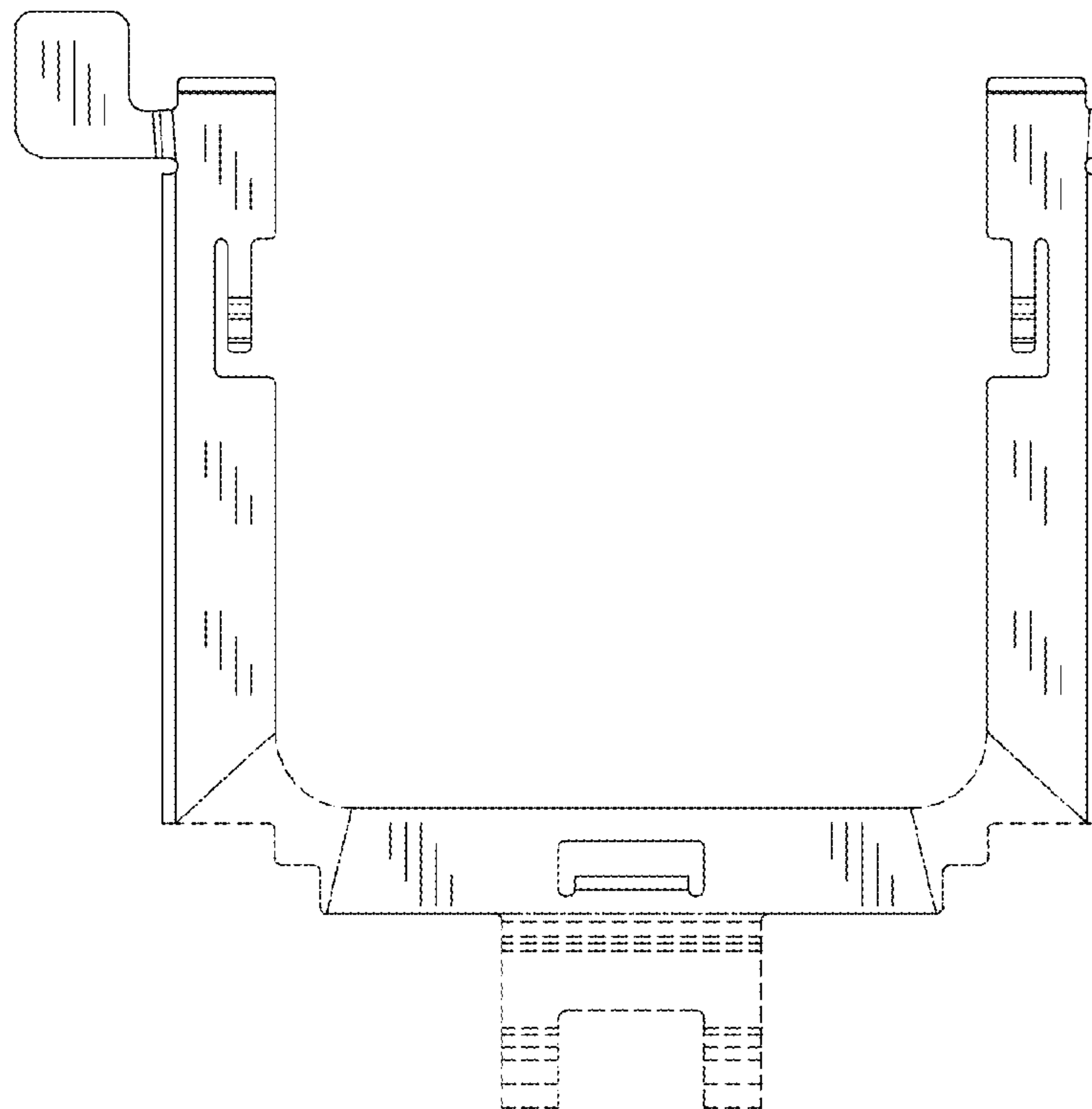


FIG. 3

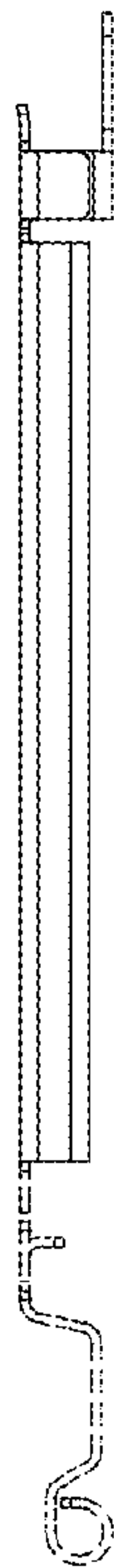


FIG. 4

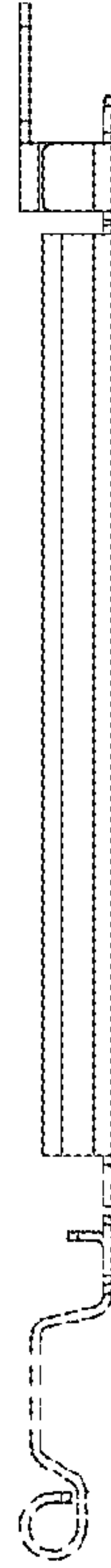


FIG. 5

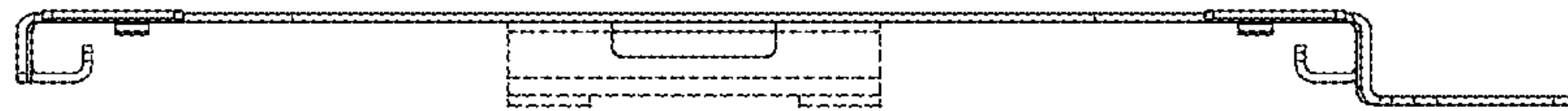


FIG. 6

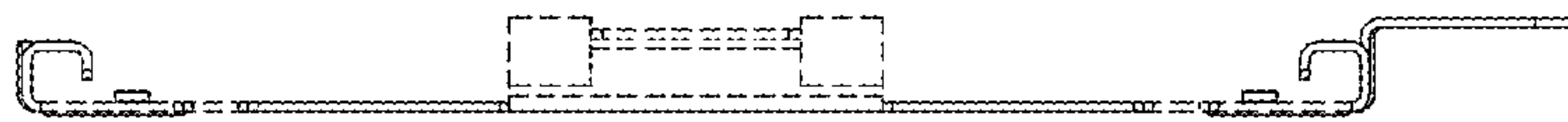


FIG. 7

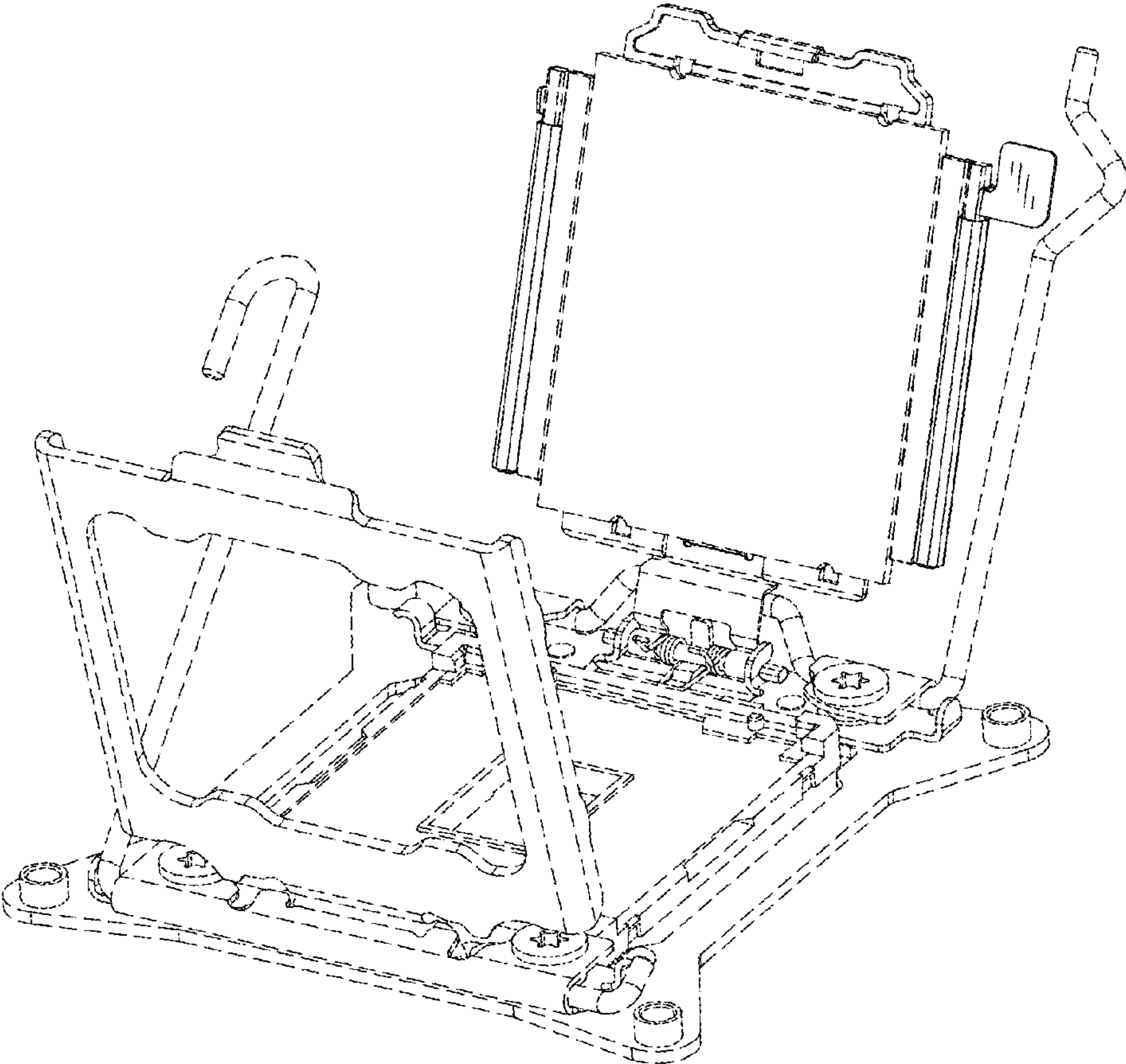


FIG. 8

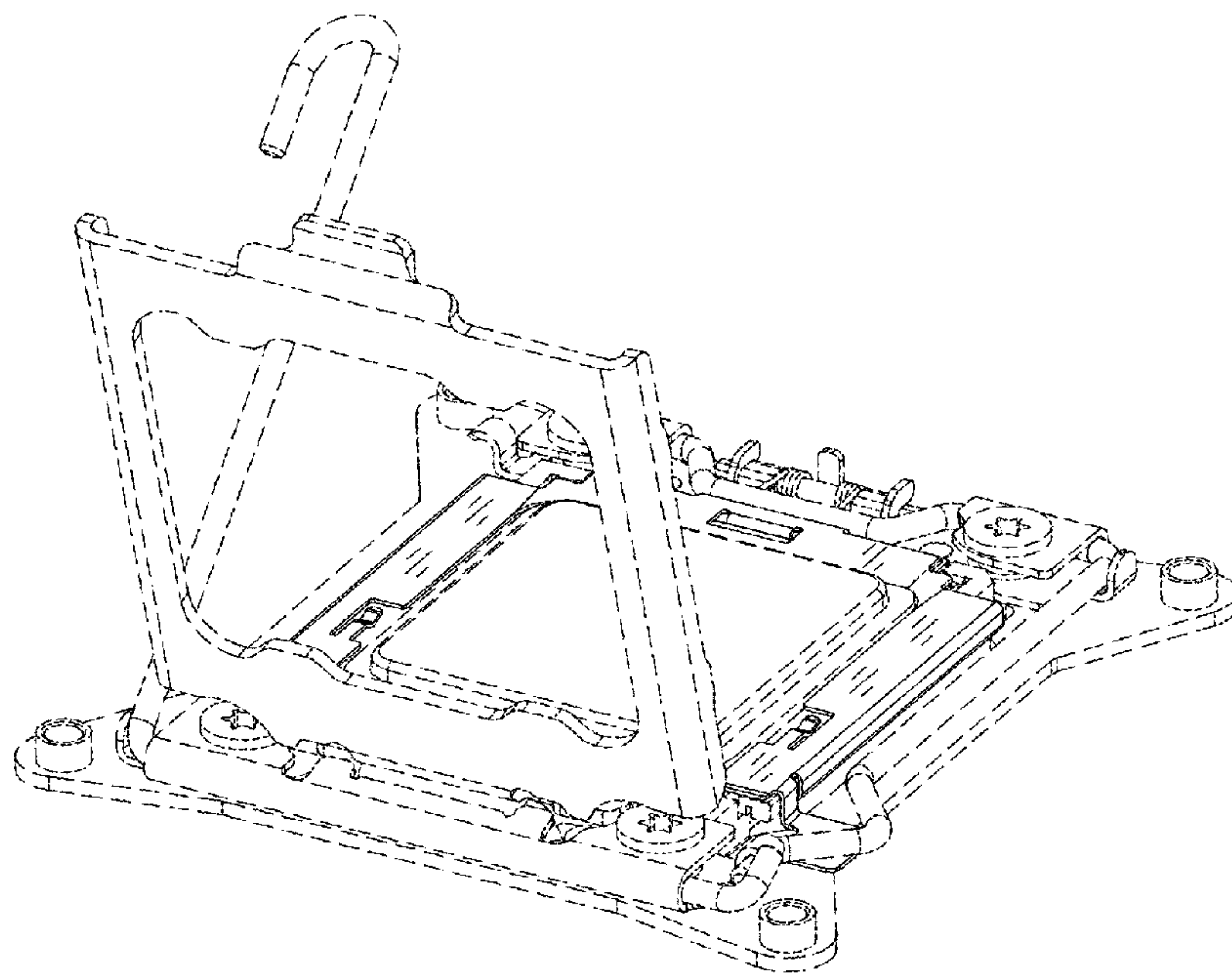


FIG. 9

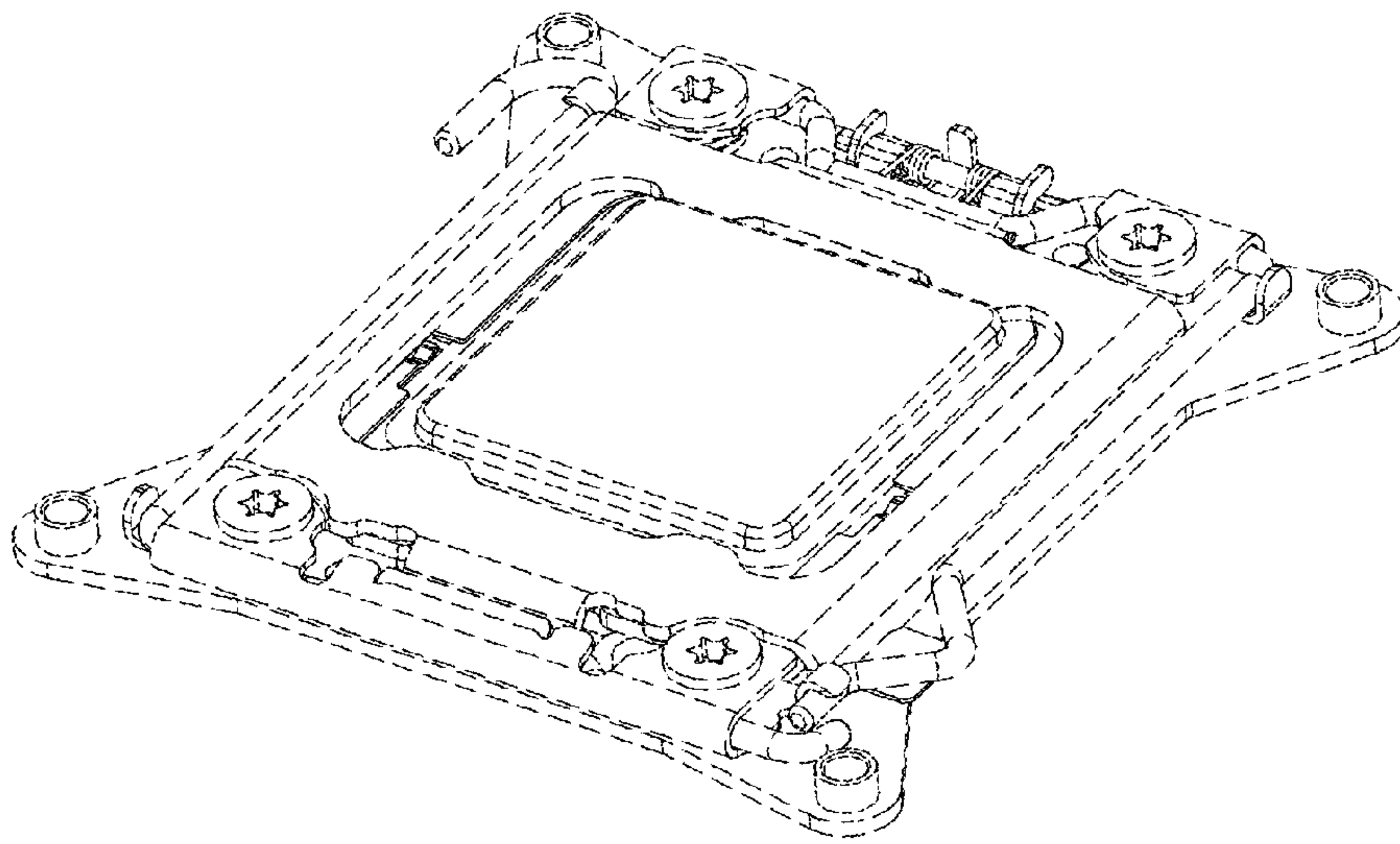


FIG. 10