



US00D719098S

(12) **United States Design Patent**  
**Endo et al.**

(10) **Patent No.:** **US D719,098 S**

(45) **Date of Patent:** **\*\* Dec. 9, 2014**

(54) **ELECTRIC CONNECTOR HOUSING**

(56) **References Cited**

(71) Applicant: **Dai-Ichi Seiko Co., Ltd.**, Kyoto (JP)

U.S. PATENT DOCUMENTS

(72) Inventors: **Takayoshi Endo**, Shizuoka (JP); **Sakai Yagi**, Shizuoka (JP); **Masaru Senmyou**, Shizuoka (JP)

5,613,881	A	*	3/1997	Ichida et al.	.....	439/680
6,281,444	B1	*	8/2001	Yamanashi	.....	174/138 F
D463,370	S	*	9/2002	Chen	.....	D13/147
D523,399	S	*	6/2006	Sakamaki et al.	.....	D13/147
D605,133	S	*	12/2009	Tanaka et al.	.....	D13/147
D614,140	S	*	4/2010	Lee et al.	.....	D13/147
D639,746	S	*	6/2011	Lee et al.	.....	D13/147
D640,634	S	*	6/2011	Lee et al.	.....	D13/147

(73) Assignee: **Dai-Ichi Seiko Co., Ltd.**, Kyoto (JP)

(\*\*) Term: **14 Years**

\* cited by examiner

(21) Appl. No.: **29/451,149**

*Primary Examiner* — Daniel Bui

(22) Filed: **Mar. 28, 2013**

(74) *Attorney, Agent, or Firm* — Wenderoth, Lind & Ponack, L.L.P.

(30) **Foreign Application Priority Data**

(57) **CLAIM**

Sep. 28, 2012 (JP) ..... 2012-23756

The ornamental design for an electric connector housing, as shown and described.

(51) **LOC (10) Cl.** ..... **13-03**

**DESCRIPTION**

(52) **U.S. Cl.**

USPC ..... **D13/147**

(58) **Field of Classification Search**

USPC ..... D13/146-147, 154, 184, 199; 439/66, 439/74, 79, 188, 344, 345, 346, 350, 351, 439/352, 353, 357, 358, 374, 497, 607.1, 439/607.2, 607.3, 607.4, 607.45, 607.49, 439/607.58, 660, 668, 680, 865, 866, 887, 439/874, 883, 892, 899

FIG. 1 is a top plan view of an electric connector showing our new design;  
FIG. 2 is a front elevation view thereof;  
FIG. 3 is a bottom plan side view thereof;  
FIG. 4 is a right side elevation view thereof;  
FIG. 5 is a rear elevation view thereof; and,  
FIG. 6 is a front, top and right side perspective view thereof.  
The broken lines shown in the drawings are included for the purpose of illustrating unclaimed environment only, and form no part of the claimed design.

See application file for complete search history.

**1 Claim, 6 Drawing Sheets**

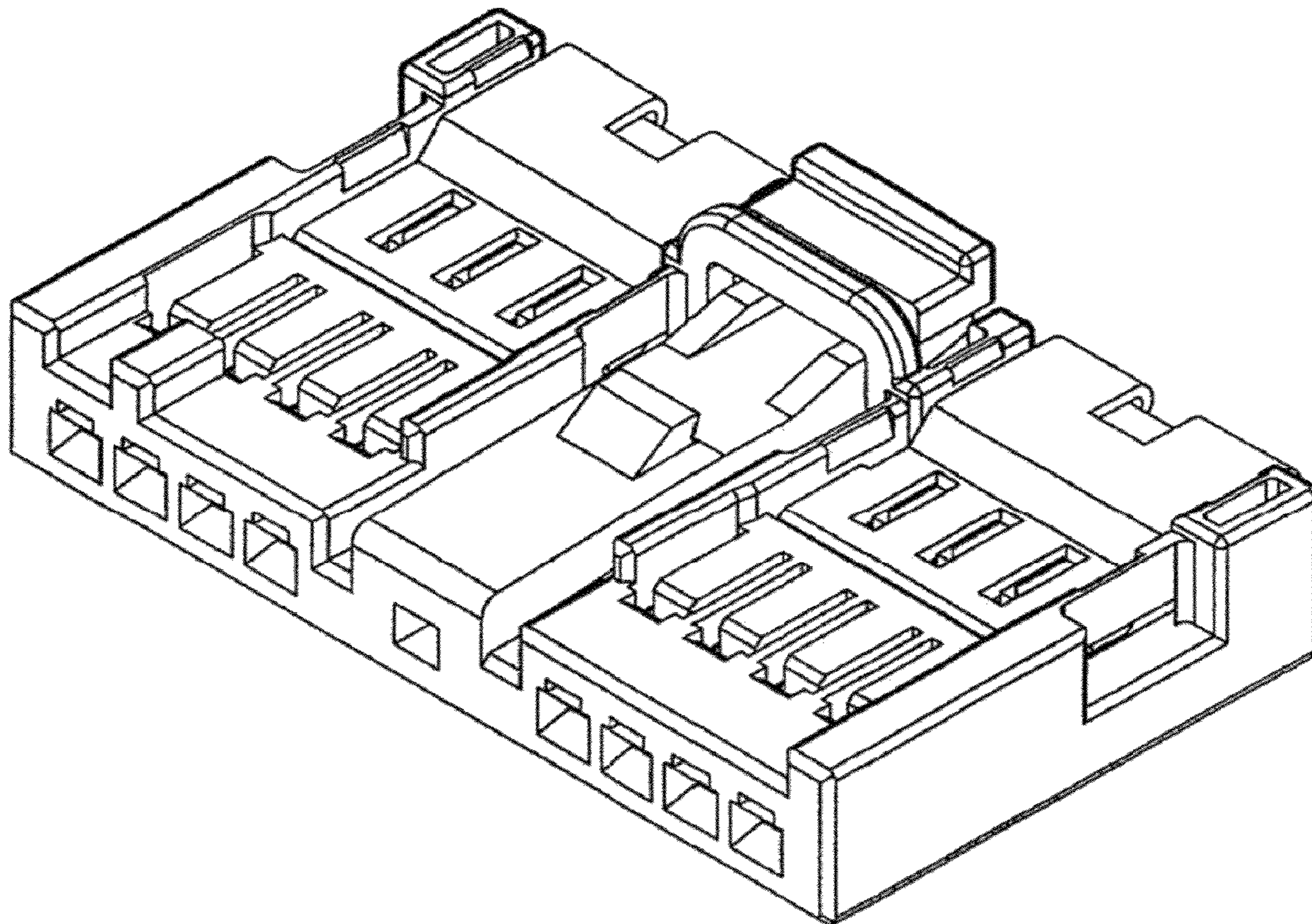


Fig. 1

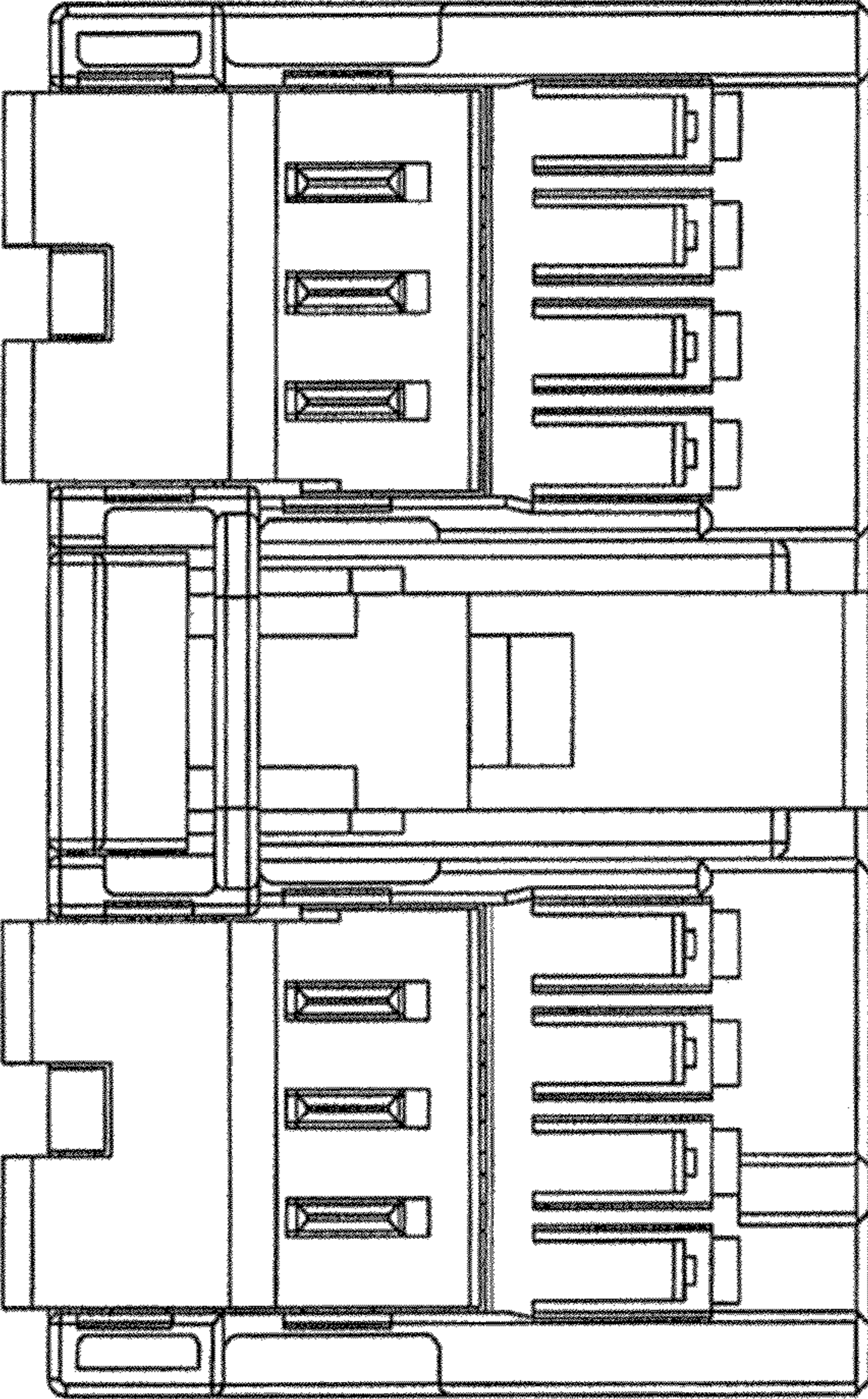


Fig. 2

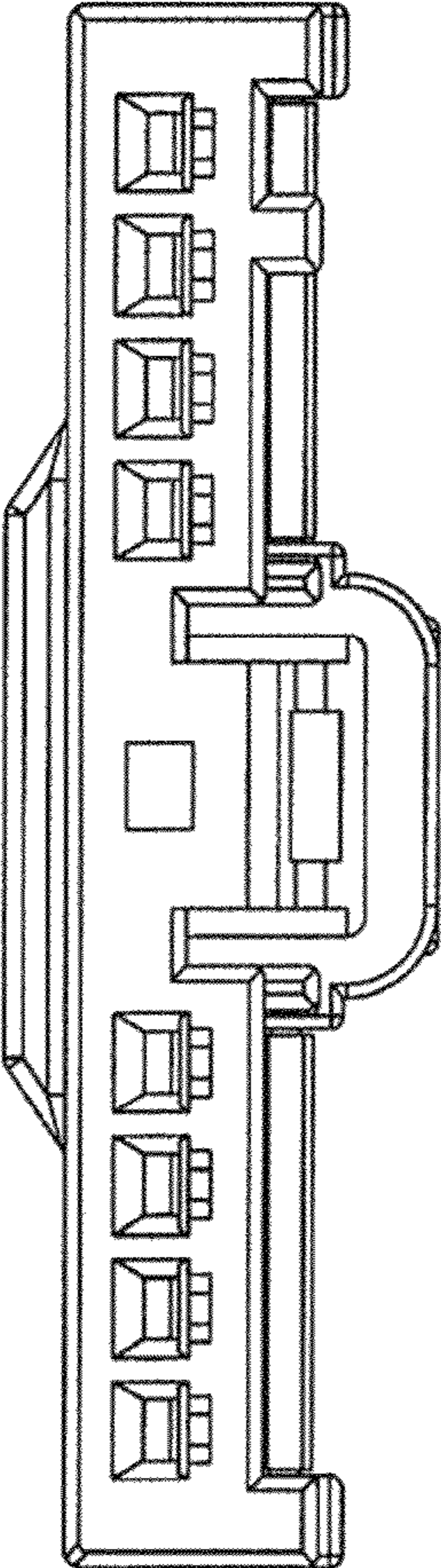


Fig. 3

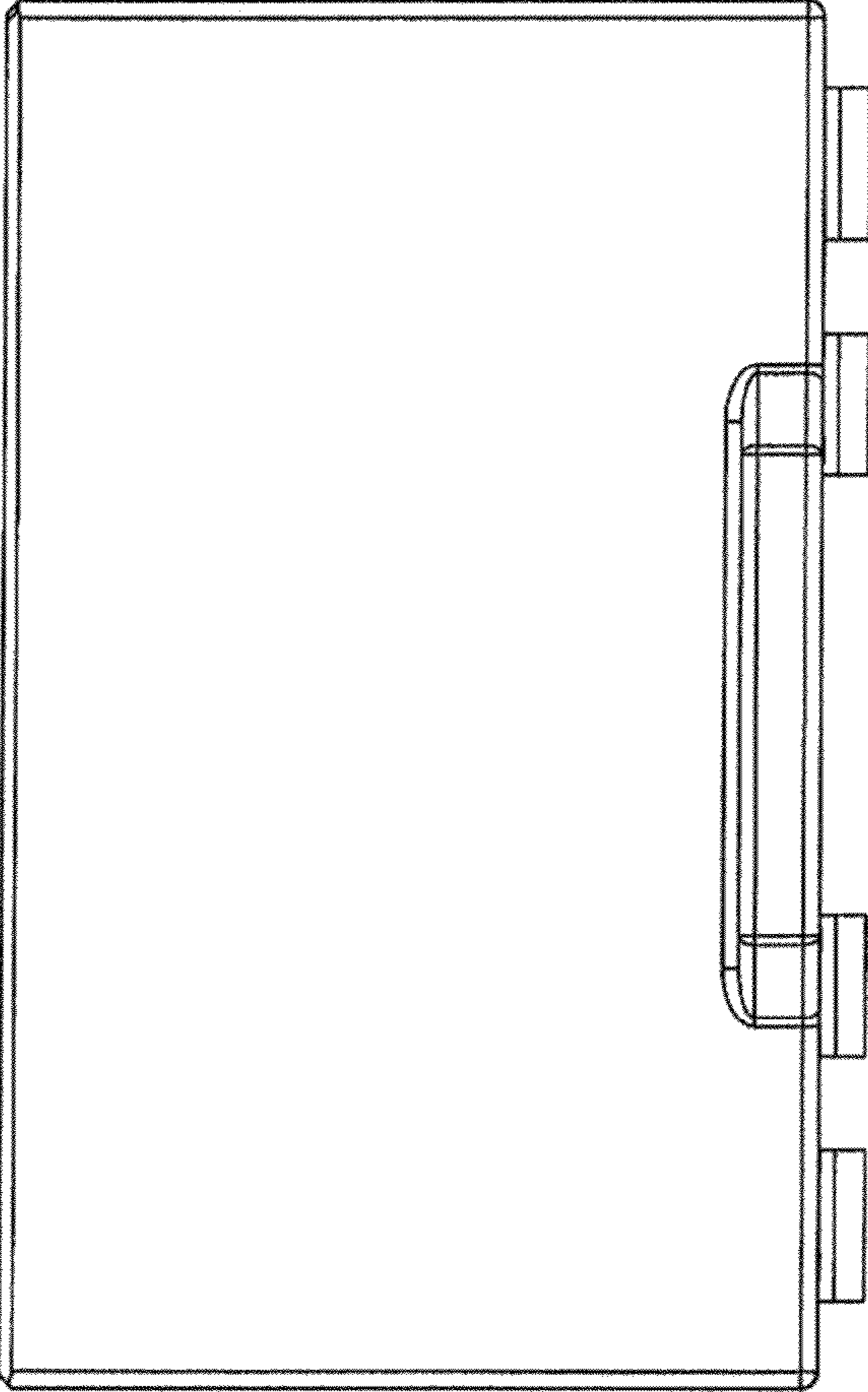


Fig. 4

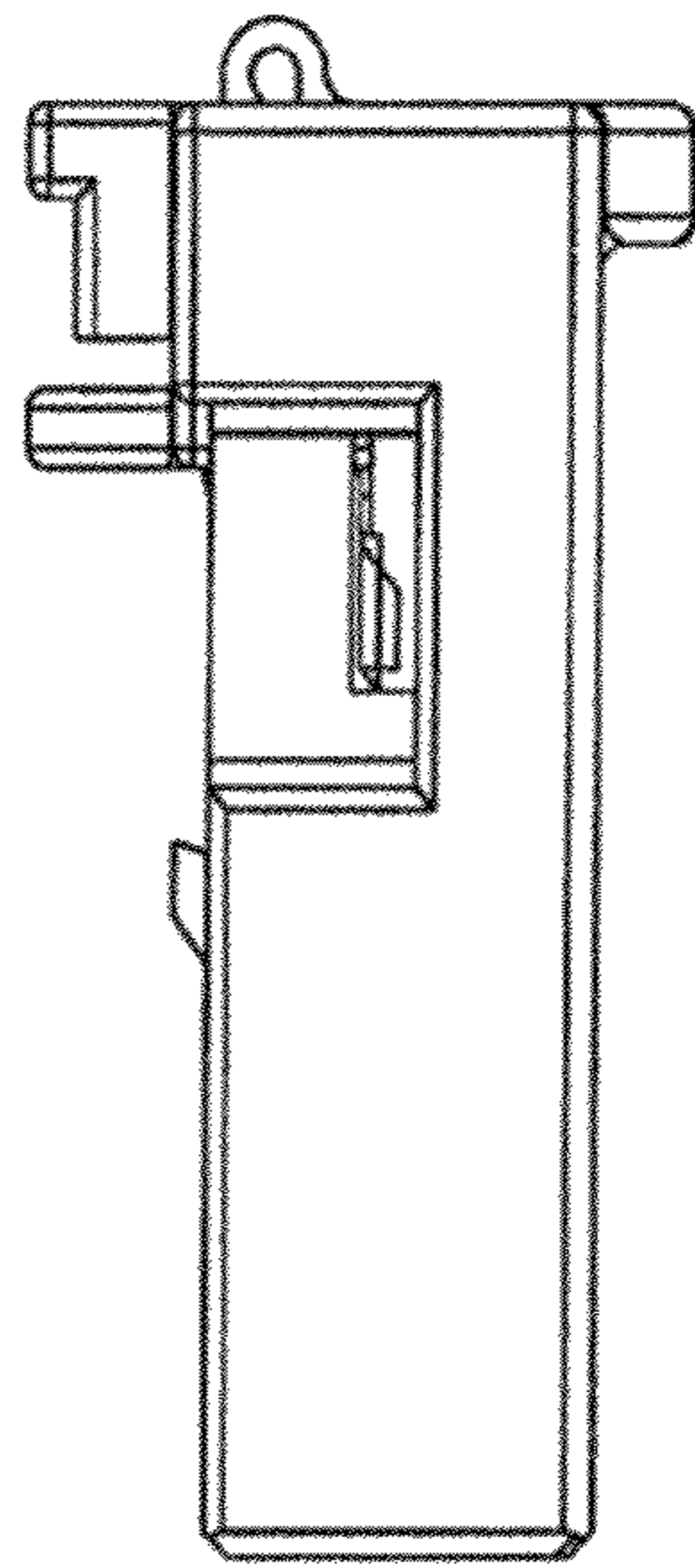


Fig. 5

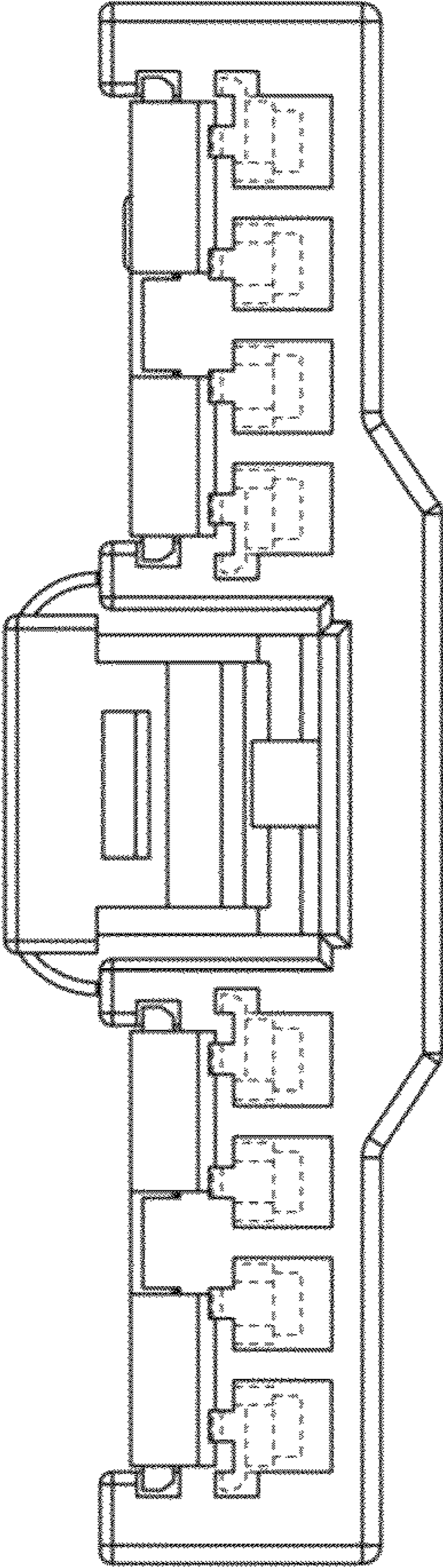


Fig. 6

