



US00D719097S

(12) **United States Design Patent**
Lum et al.

(10) **Patent No.:** **US D719,097 S**
(45) **Date of Patent:** **** Dec. 9, 2014**

- (54) **MODULE DOCK AND DONGLE**
- (71) Applicant: **LDA, LLC**, Irvine, CA (US)
- (72) Inventors: **Myk Lum**, Irvine, CA (US); **Takahide Okai**, Highland Park, NJ (US); **Kasin Chan**, Alhambra, CA (US)
- (73) Assignee: **LDA, LLC**, Irvine, CA (US)

D669,899 S *	10/2012	Cheng	D14/435.1
D670,282 S *	11/2012	McManigal	D14/253
D675,157 S *	1/2013	Lacotta et al.	D13/108
D682,780 S *	5/2013	Brown	D13/108
D684,539 S *	6/2013	Akana et al.	D13/147
D685,321 S *	7/2013	Smith et al.	D13/108
D685,322 S *	7/2013	Szymanski et al.	D13/108
D688,623 S *	8/2013	Carreon et al.	D13/107
D701,489 S *	3/2014	Symons	D13/108
D702,111 S *	4/2014	Hollinger	D8/356
D705,722 S *	5/2014	Gengler	D13/107

(**) Term: **14 Years**

* cited by examiner

(21) Appl. No.: **29/468,869**

Primary Examiner — Ian Simmons

Assistant Examiner — Rhea Shields

(22) Filed: **Oct. 3, 2013**

(74) *Attorney, Agent, or Firm* — Stetina Brunda Garred & Brucker

(51) **LOC (10) Cl.** **13-03**

(52) **U.S. Cl.**
USPC **D13/139.1**

(58) **Field of Classification Search**
USPC D13/139.3, 139.2, 139.1, 139.6, 139.8,
D13/137.1–137.3, 108, 147, 107; 439/106,
439/107, 538, 539; 174/50–51, 53–55;
361/42, 45, 46, 50, 679.43; D14/302,
D14/434, 435.1, 217, 253; D8/356;
D10/104.1

See application file for complete search history.

(57) **CLAIM**

The ornamental design for a module dock and dongle, as shown and described.

DESCRIPTION

FIG. 1 is a top perspective view showing the module dock and dongle of the present invention with the dongle installed in the dock;

FIG. 2 is a top perspective view of the module dock and dongle with the dongle partially removed from the dock;

FIG. 3 is a rear perspective view of the module dock and dongle with the dongle installed in the dock;

FIG. 4 is a front view thereof;

FIG. 5 is a left side view thereof;

FIG. 6 is a top plan view thereof;

FIG. 7 is a bottom plan view thereof;

FIG. 8 is a rear view thereof; and,

FIG. 9 is a right side view thereof.

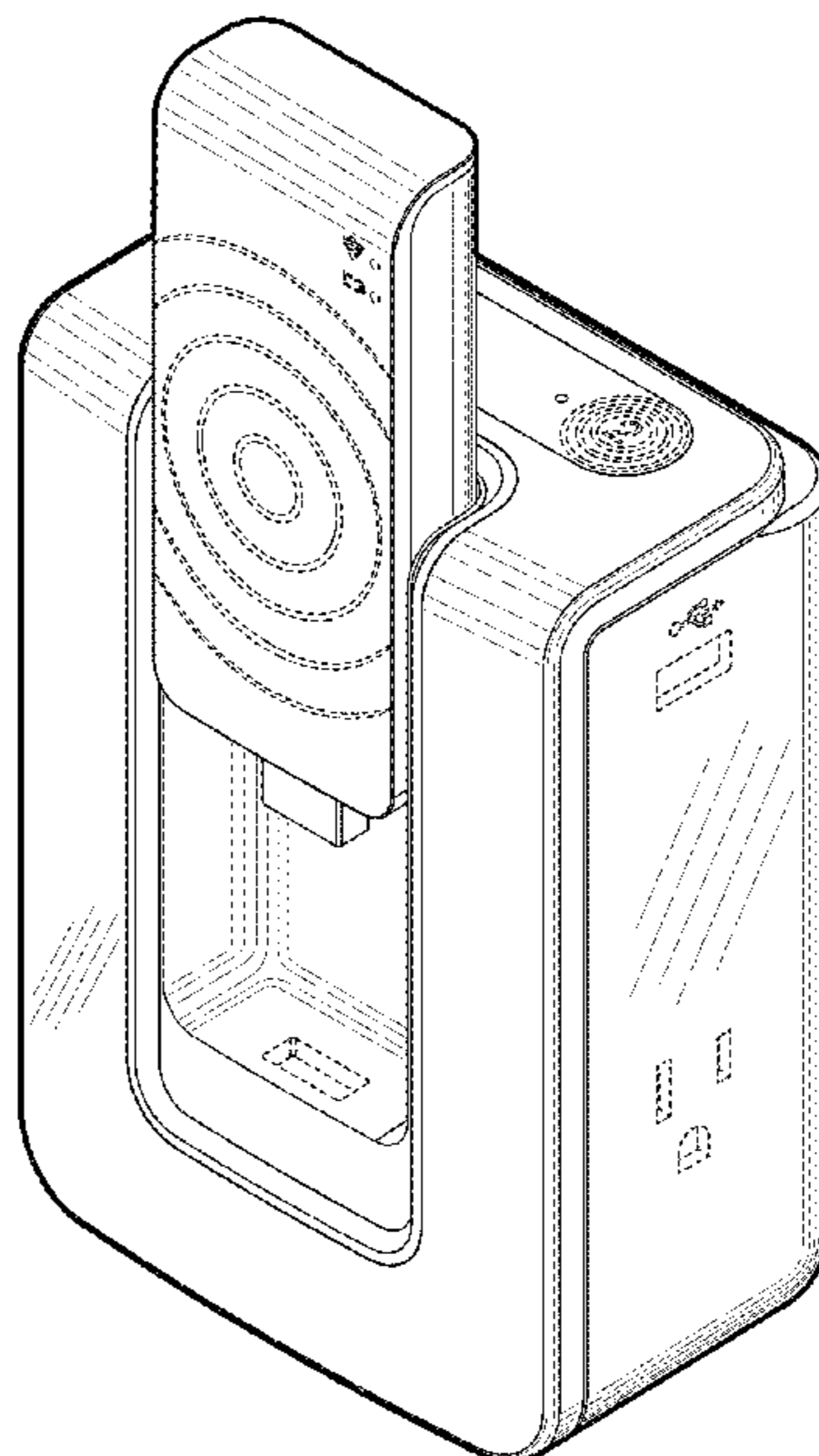
In the drawings, the broken lines depict unclaimed subject matter only and form no part of the claimed design.

(56) **References Cited**

U.S. PATENT DOCUMENTS

D558,769 S *	1/2008	Krieger et al.	D14/434
D582,418 S *	12/2008	Kim et al.	D14/435.1
D607,816 S *	1/2010	Chen et al.	D13/108
D628,201 S *	11/2010	Tian et al.	D14/434
D639,301 S *	6/2011	Anderson et al.	D14/434
D645,847 S *	9/2011	Chau	D14/217
D648,339 S *	11/2011	O'Neil et al.	D14/434
D648,726 S *	11/2011	Behar et al.	D14/435.1
D658,648 S *	5/2012	Chen	D14/358
D668,980 S *	10/2012	Greenberg et al.	D10/104.1

1 Claim, 4 Drawing Sheets



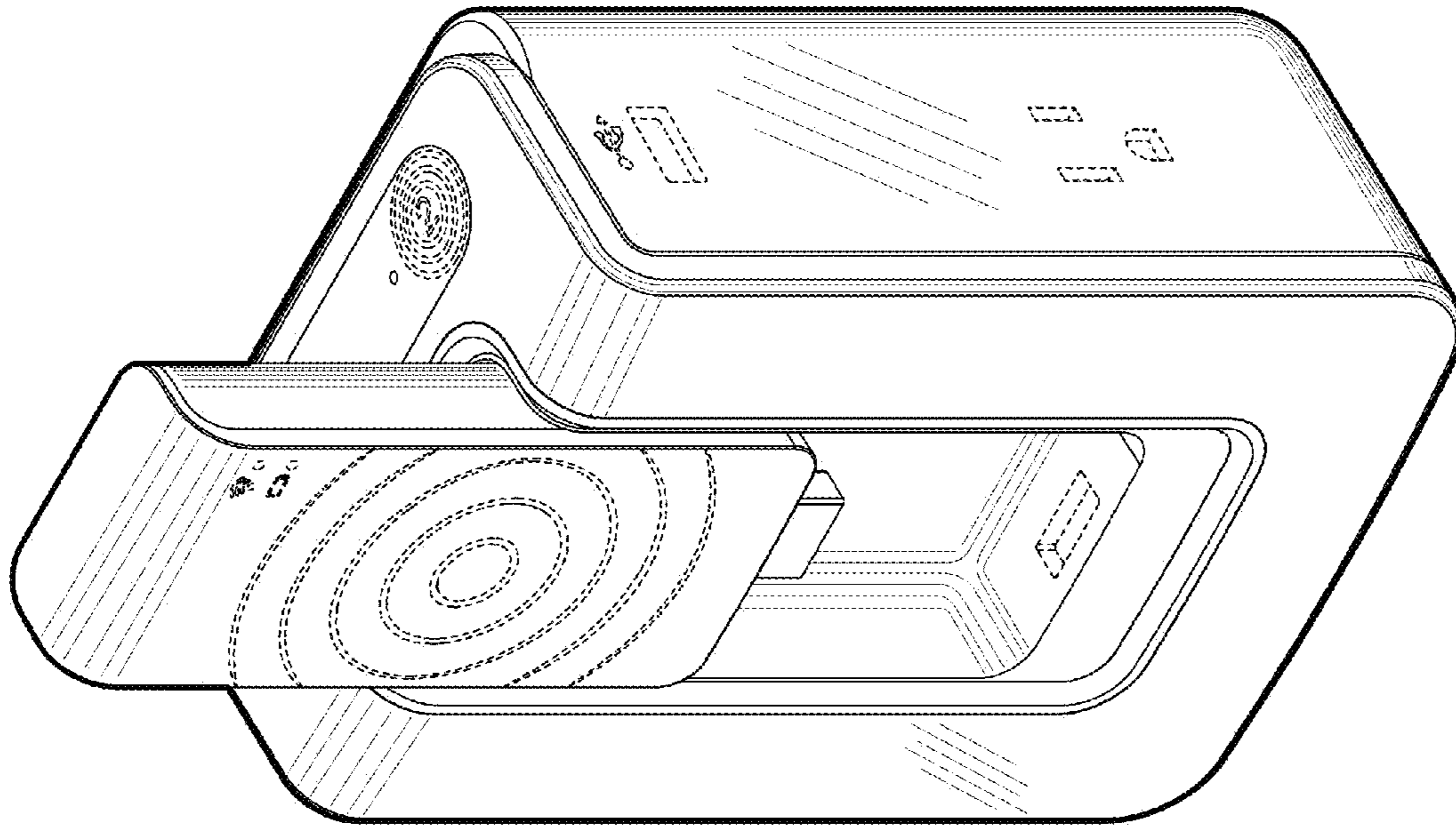


FIG. 1

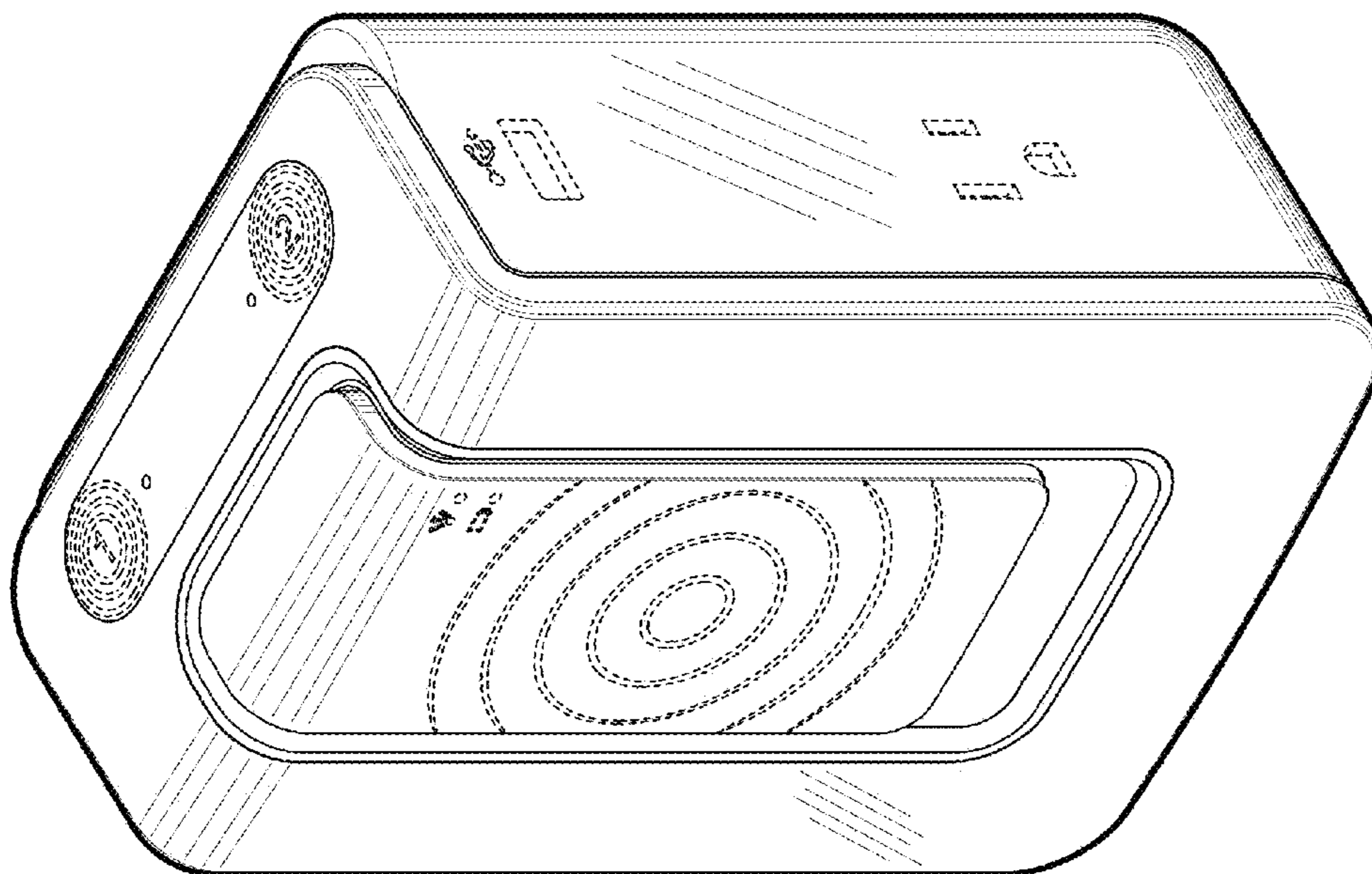


FIG. 2

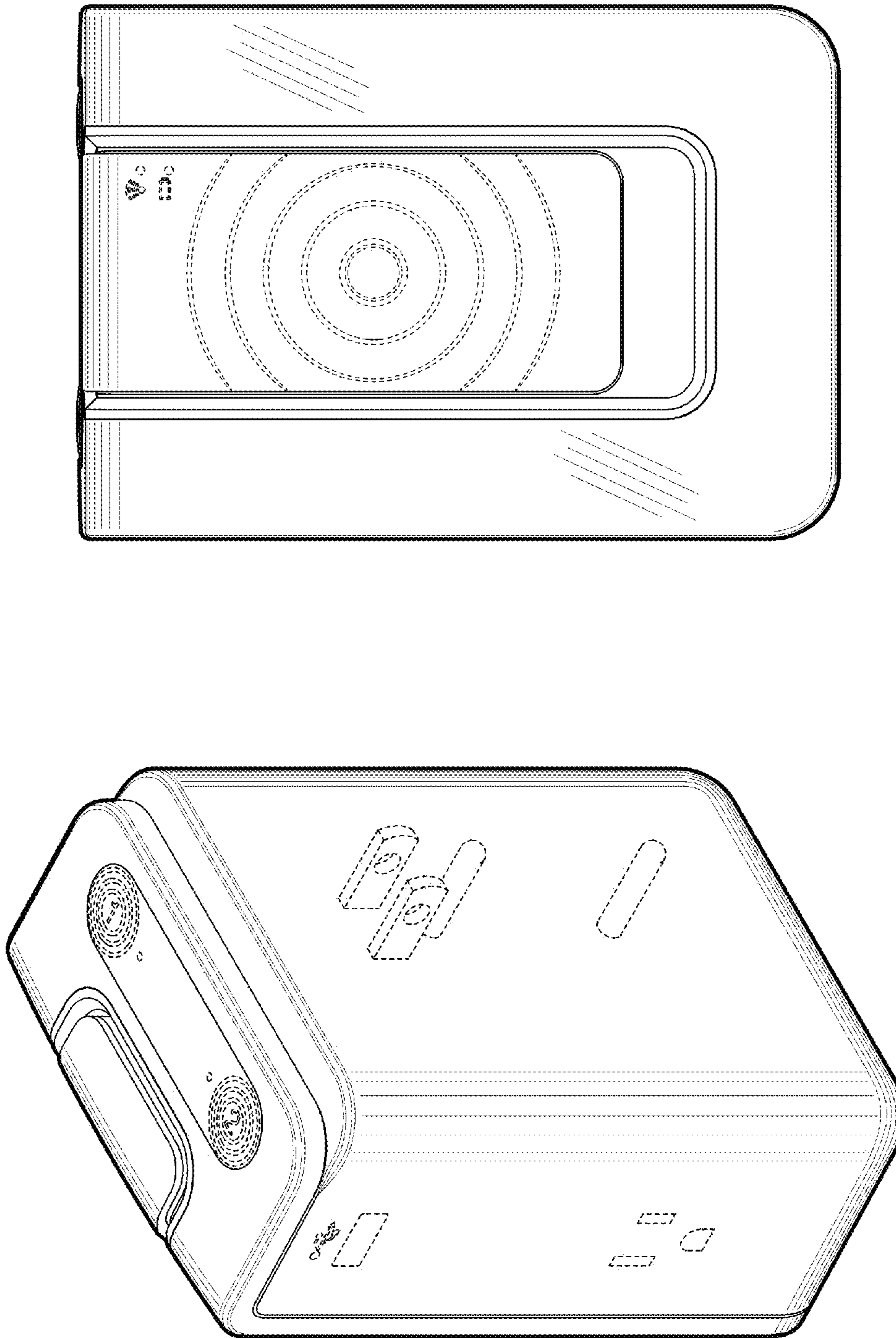


FIG. 4

FIG. 3

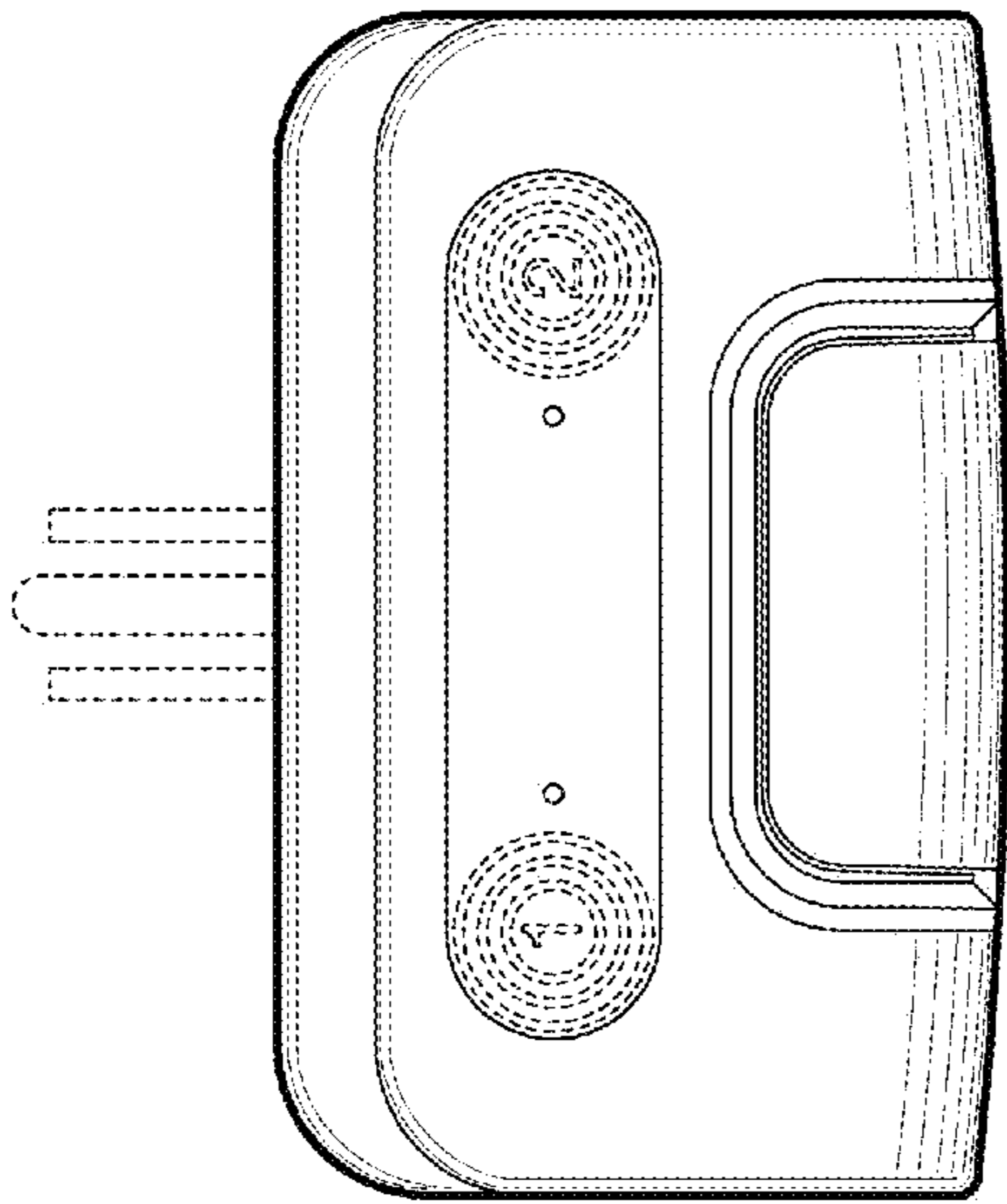


FIG. 6

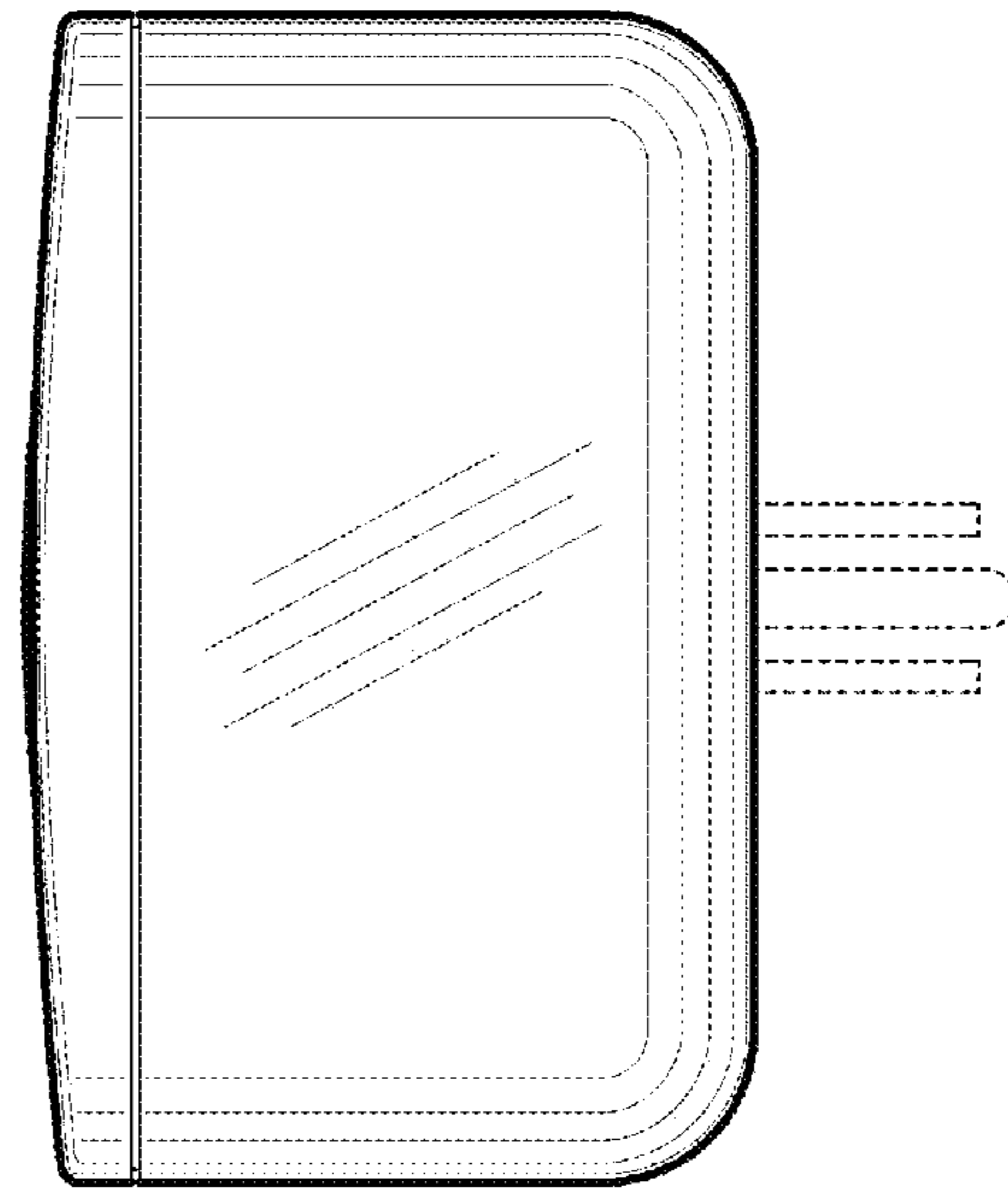


FIG. 7

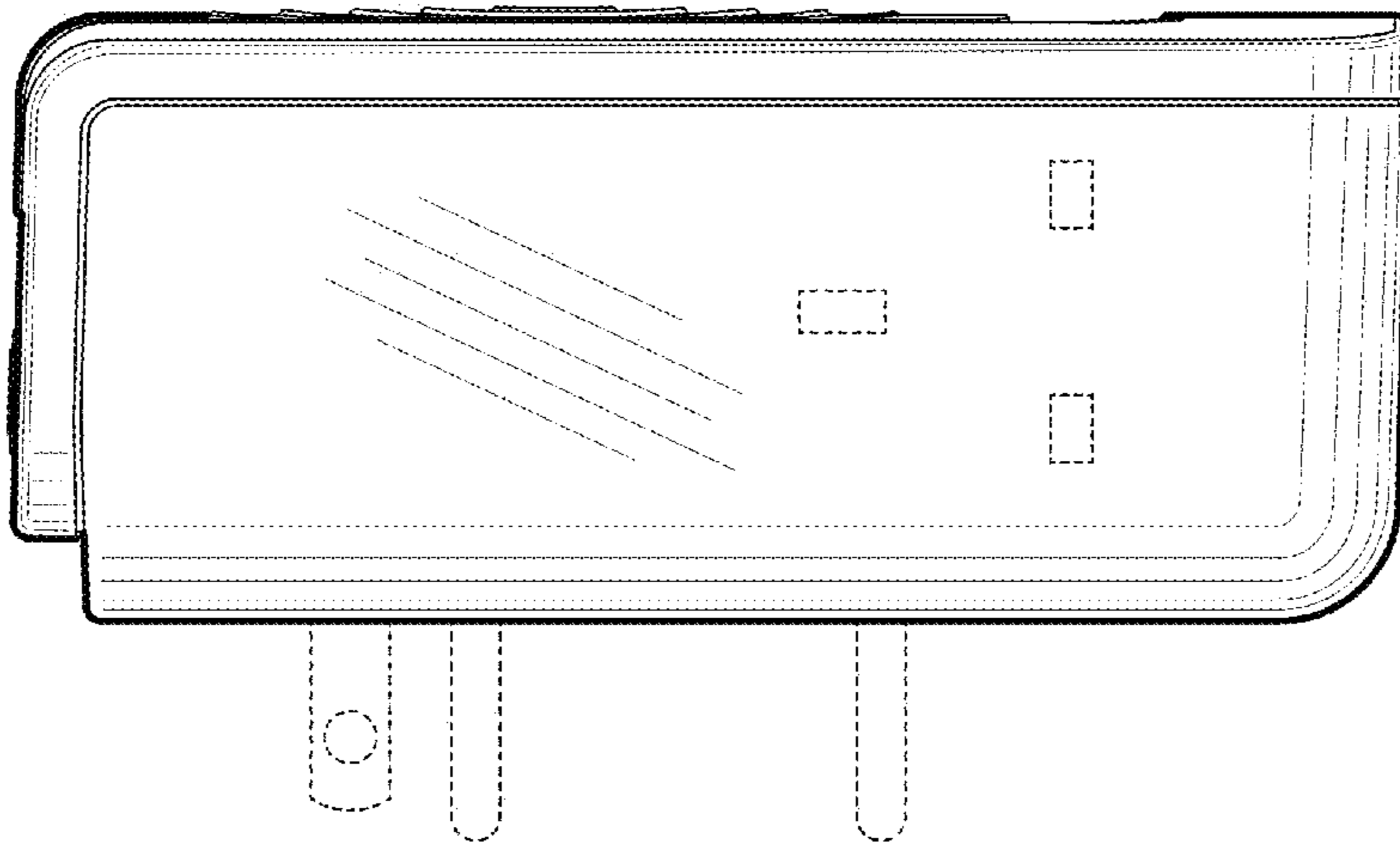


FIG. 5

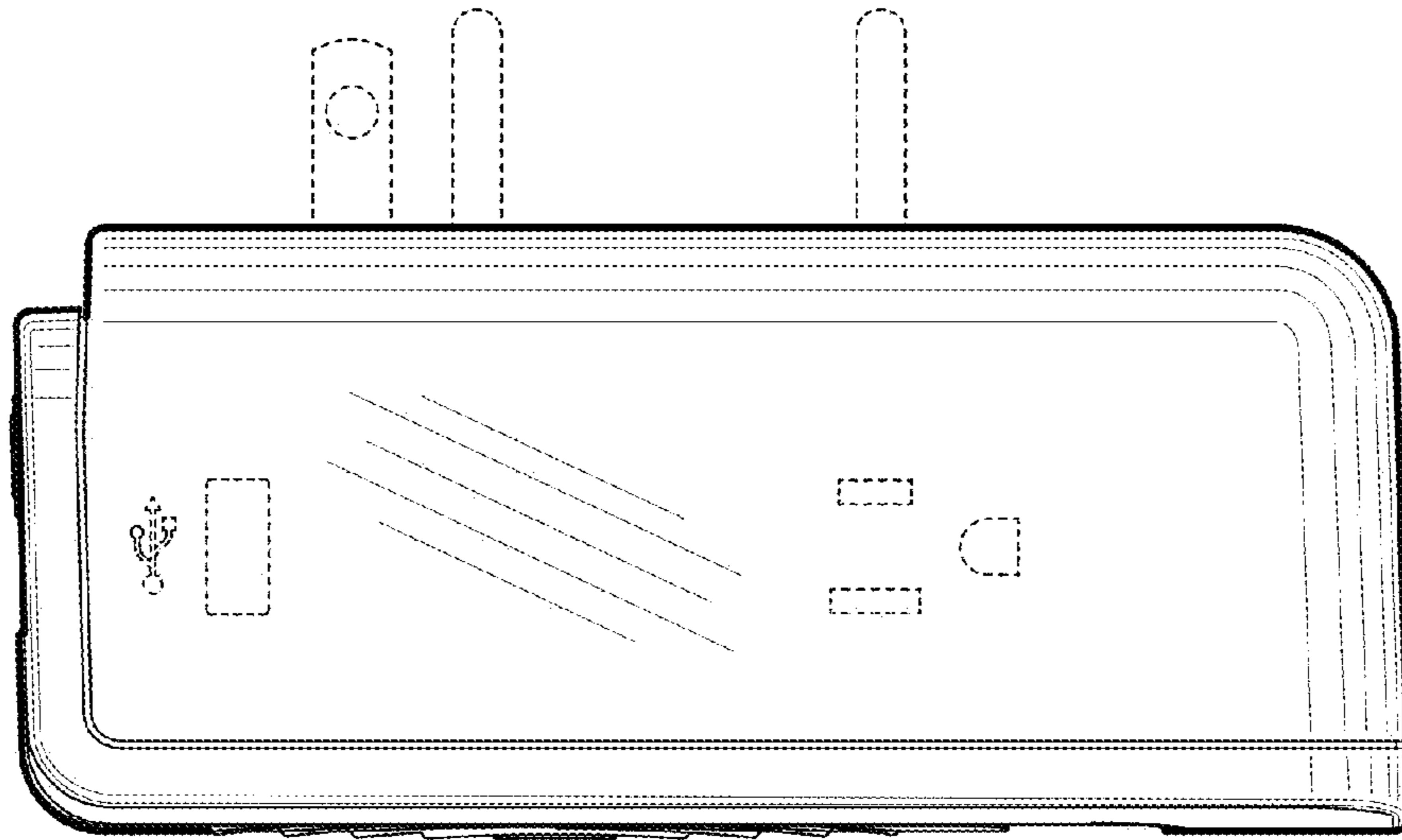


FIG. 9

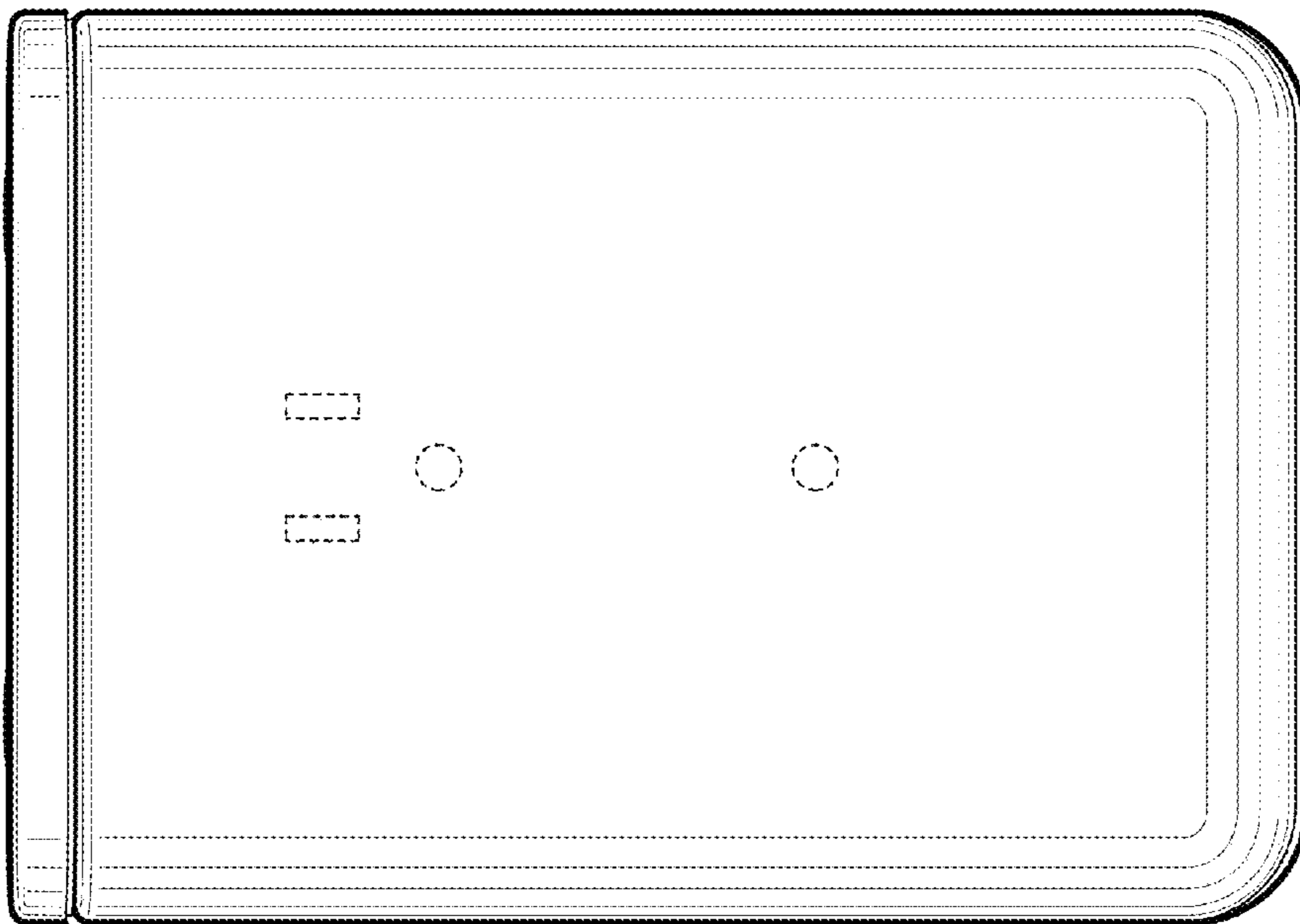


FIG. 8