



US00D719095S

(12) **United States Design Patent**  
**Oota et al.**

(10) **Patent No.:** **US D719,095 S**  
(45) **Date of Patent:** **\*\* Dec. 9, 2014**

(54) **BATTERY CASE**

(71) Applicant: **Yokogawa Electric Corporation**, Tokyo (JP)

(72) Inventors: **Yasunori Oota**, Tokyo (JP); **Takuya Nidaira**, Tokyo (JP); **Youichi Igarashi**, Tokyo (JP)

(73) Assignee: **Yokogawa Electric Corporation**, Tokyo (JP)

(\*\*) Term: **14 Years**

(21) Appl. No.: **29/488,978**

(22) Filed: **Apr. 25, 2014**

(30) **Foreign Application Priority Data**

Oct. 25, 2013 (JP) ..... 2013-024871

(51) **LOC (10) Cl.** ..... **13-02**

(52) **U.S. Cl.**  
USPC ..... **D13/119; D13/103**

(58) **Field of Classification Search**  
USPC ..... D13/102-104, 110, 118-121, 184, 199;  
429/96-100, 163, 176; 206/703-705,  
206/461-463, 471, 485, 485.1, 493  
See application file for complete search history.

(56) **References Cited**

**U.S. PATENT DOCUMENTS**

D211,640 S \* 7/1968 MacGillavy ..... D13/119  
D409,559 S \* 5/1999 Shim ..... D13/103  
D409,560 S \* 5/1999 Shim ..... D13/103  
D417,860 S \* 12/1999 Lau ..... D13/103

D488,443 S \* 4/2004 Bailey ..... D13/119  
D491,888 S \* 6/2004 Lee ..... D13/103  
D506,065 S \* 6/2005 Sugino et al. .... D3/294  
7,105,247 B2 \* 9/2006 Suzuki ..... 429/96  
D537,034 S \* 2/2007 Kang et al. .... D13/103  
7,597,199 B1 \* 10/2009 Rochelo ..... 206/703  
D668,217 S \* 10/2012 Swier et al. .... D13/103  
D699,179 S \* 2/2014 Alexander ..... D13/103  
8,748,026 B2 \* 6/2014 Iwamoto et al. .... 429/100  
2011/0293979 A1 \* 12/2011 Igarashi ..... 429/99  
2012/0006719 A1 \* 1/2012 Celona et al. .... 206/703  
2013/0136971 A1 \* 5/2013 Igarashi ..... 429/99

\* cited by examiner

*Primary Examiner* — Rosemary K Tarcza

(74) *Attorney, Agent, or Firm* — Sughrue Mion, PLLC

(57) **CLAIM**

The ornamental design for a battery case, as shown and described.

**DESCRIPTION**

FIG. 1 is a front perspective view of a battery case showing our new design;  
FIG. 2 is a rear perspective view thereof;  
FIG. 3 is a front view thereof;  
FIG. 4 is a rear view thereof;  
FIG. 5 is a left side view thereof;  
FIG. 6 is a right side view thereof;  
FIG. 7 is a top view thereof;  
FIG. 8 is a bottom view thereof;  
FIG. 9 is a perspective view thereof in use; and,  
FIG. 10 is a perspective view thereof in use.  
The broken lines shown are included for the purpose of illustrating the unclaimed portions of the battery case and form no part of the claimed design.

**1 Claim, 8 Drawing Sheets**

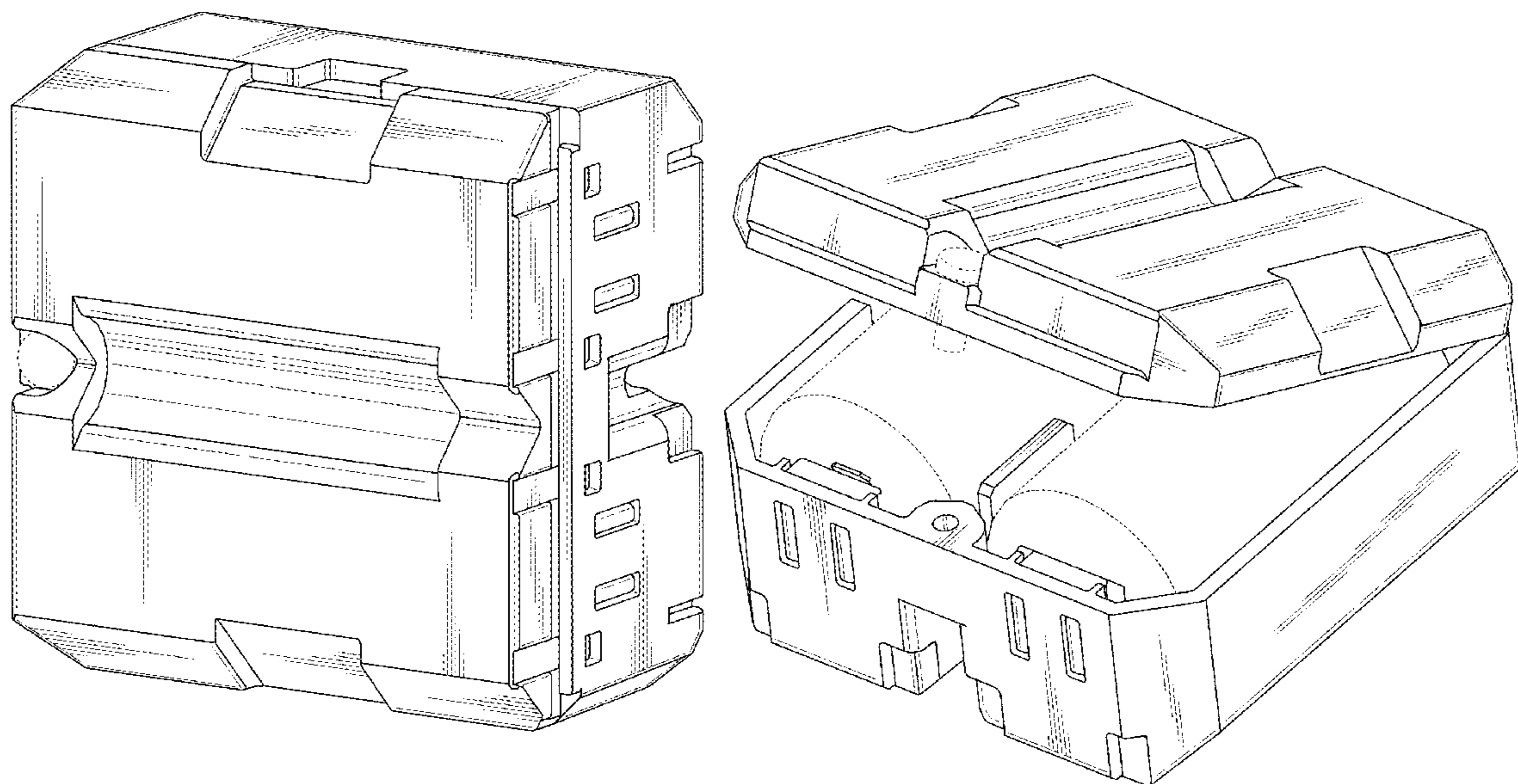


Fig. 1

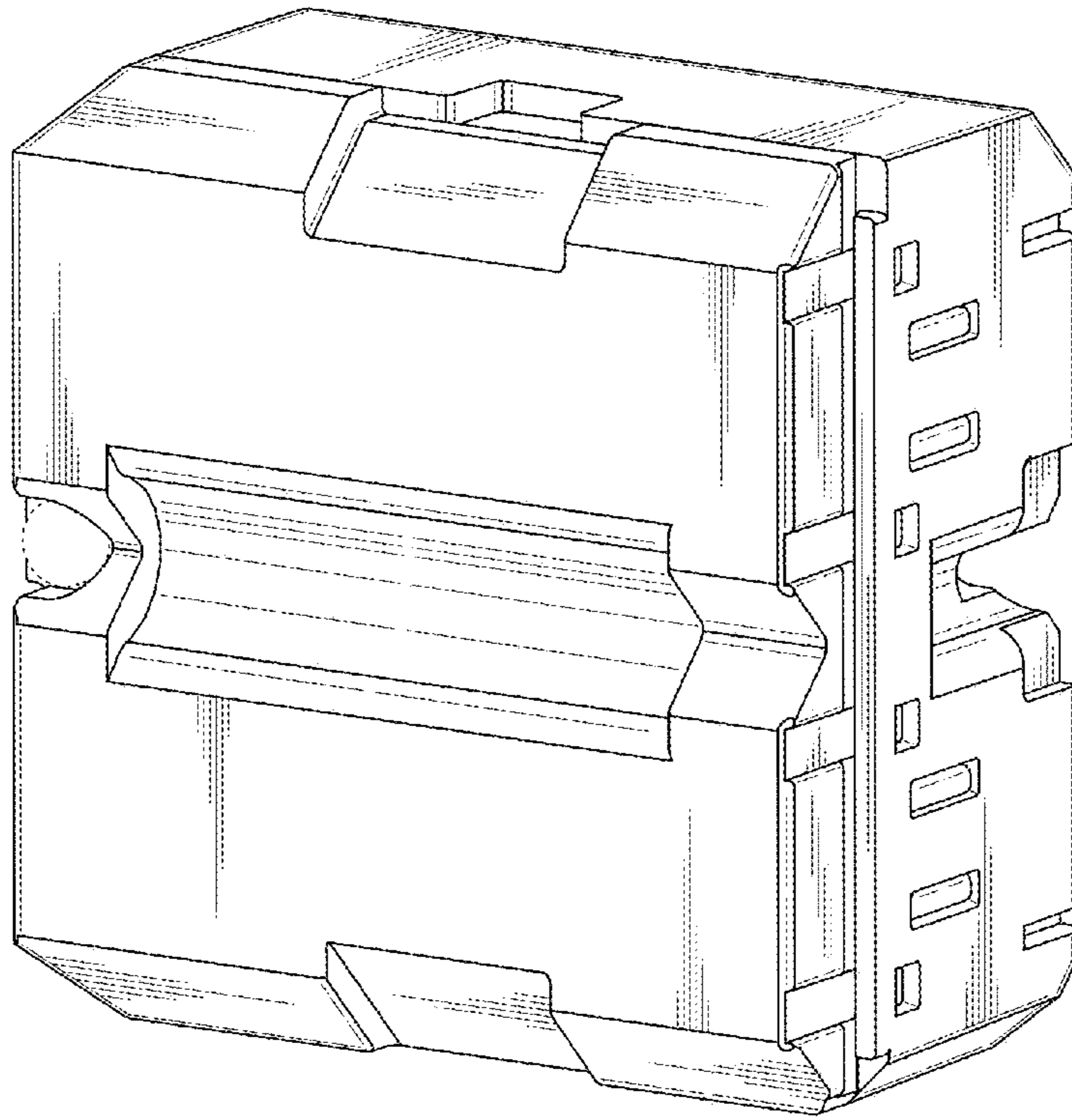


Fig. 2

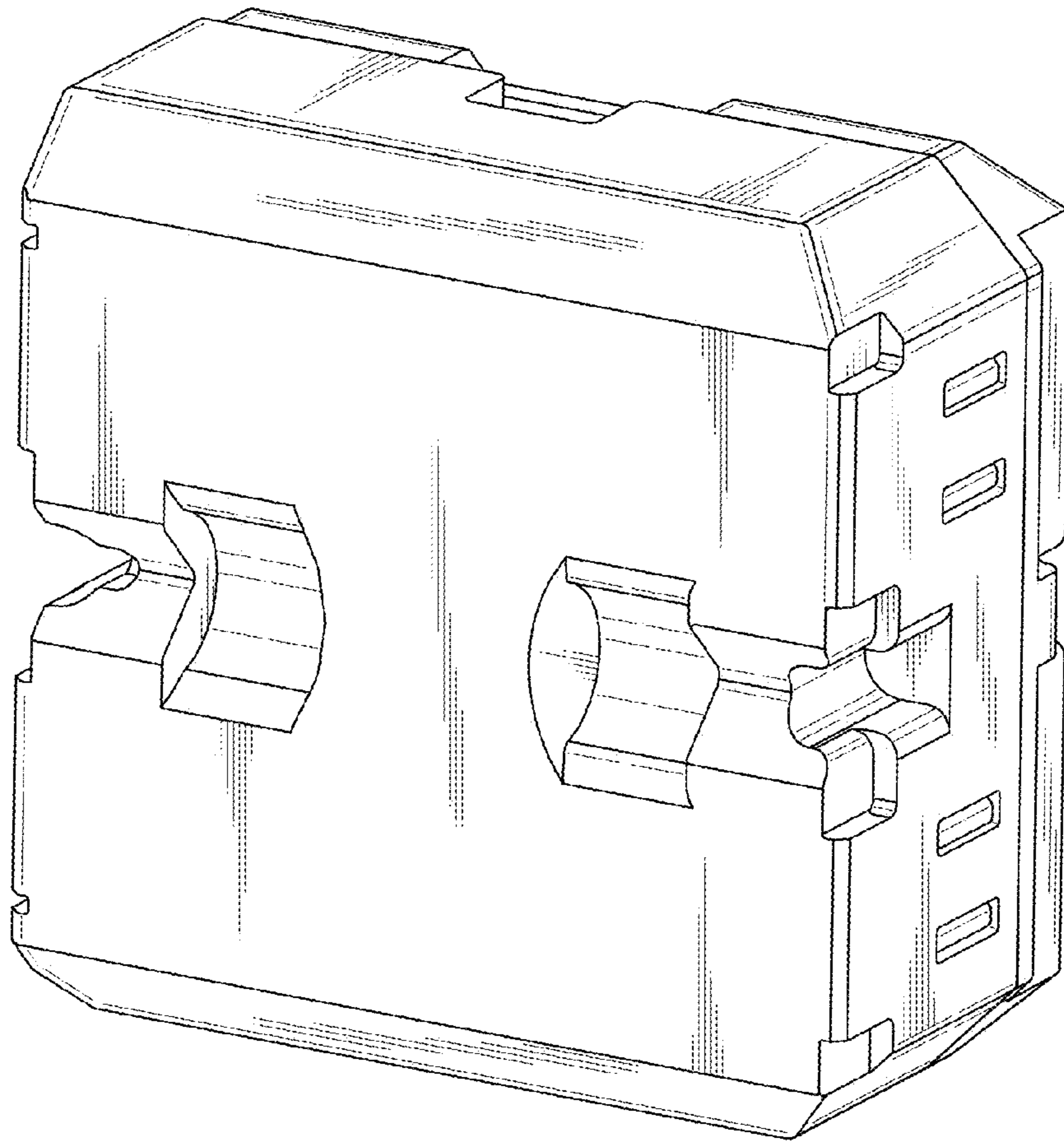


Fig. 3

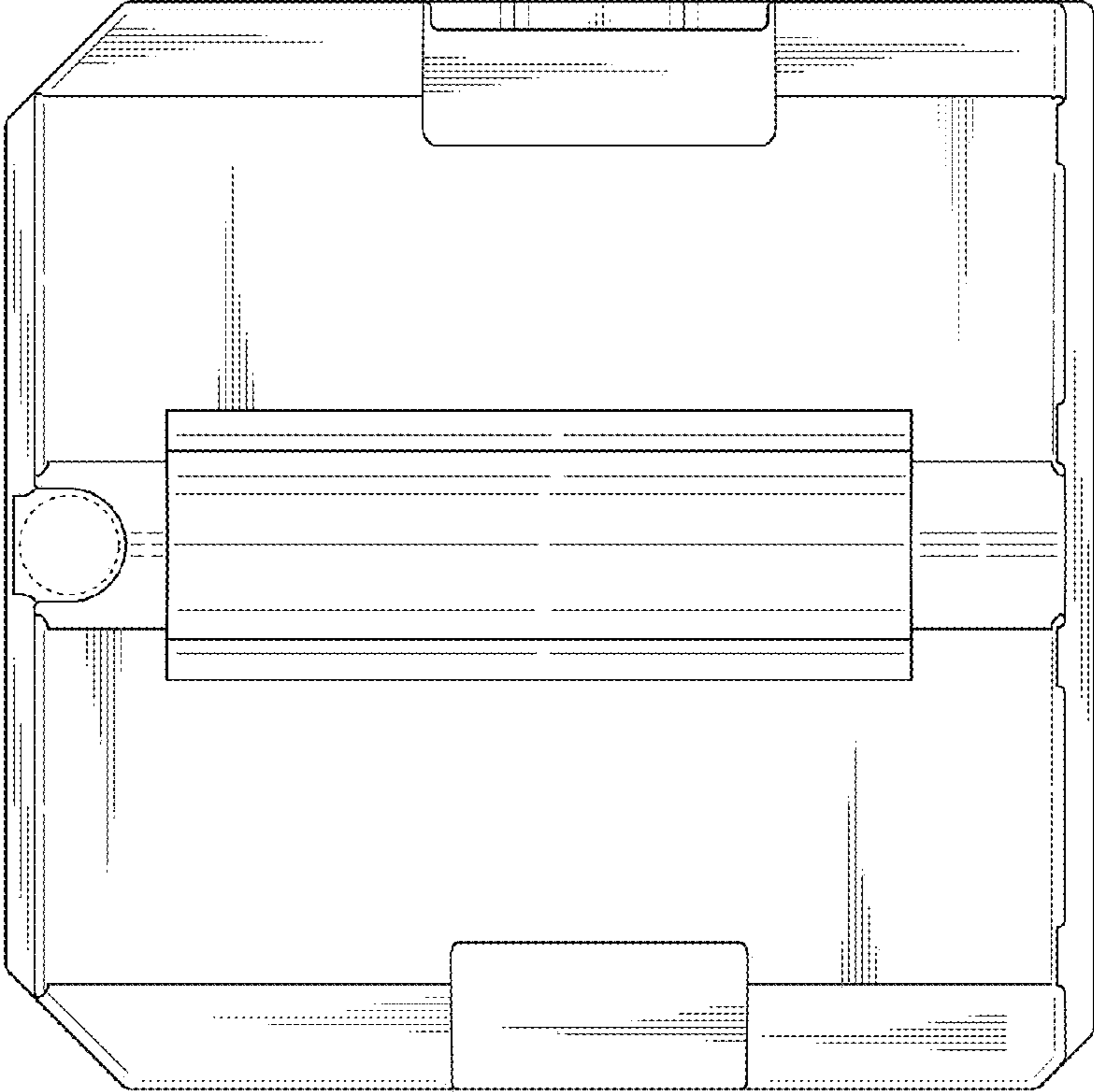


Fig. 4

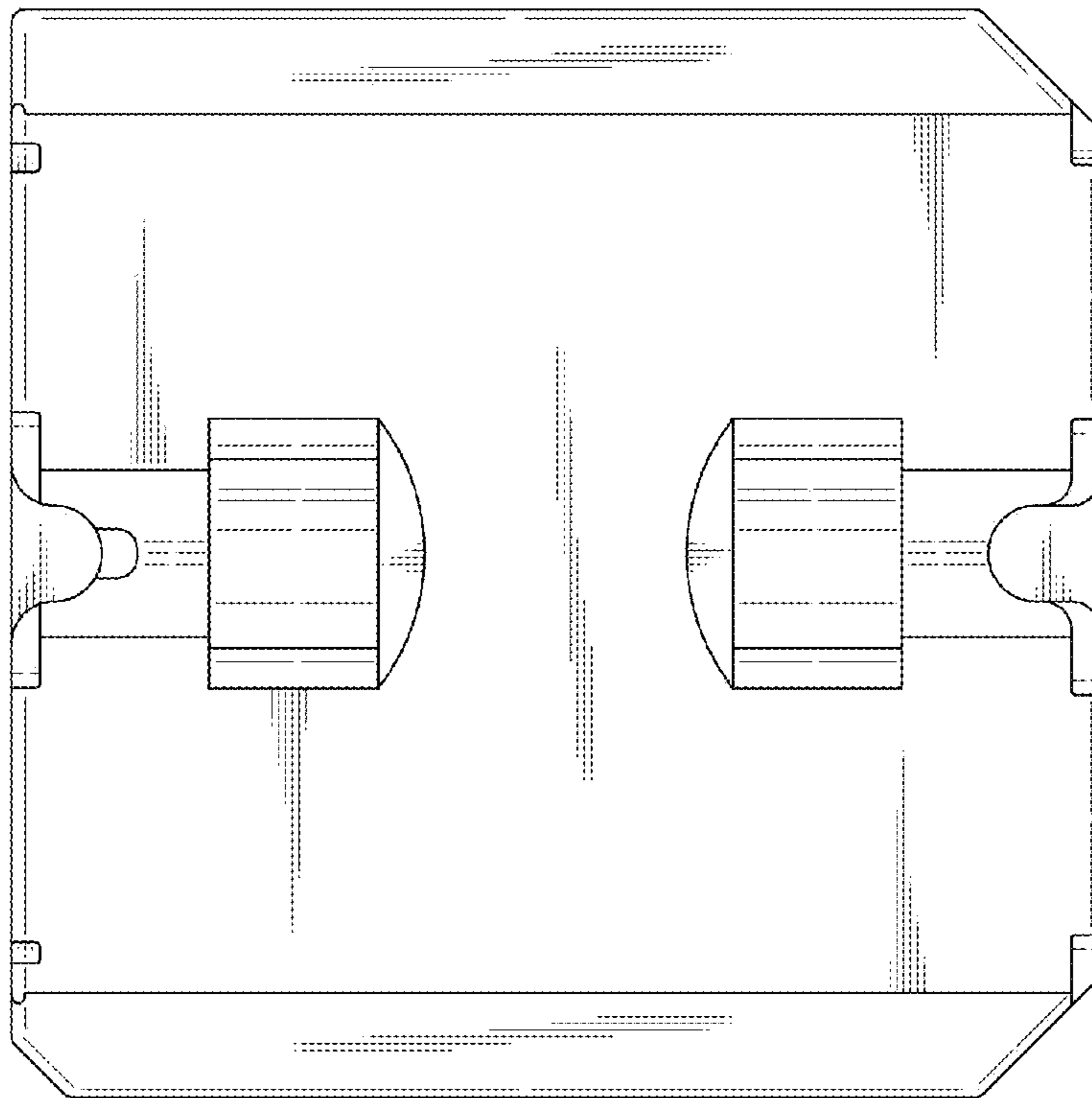


Fig. 5

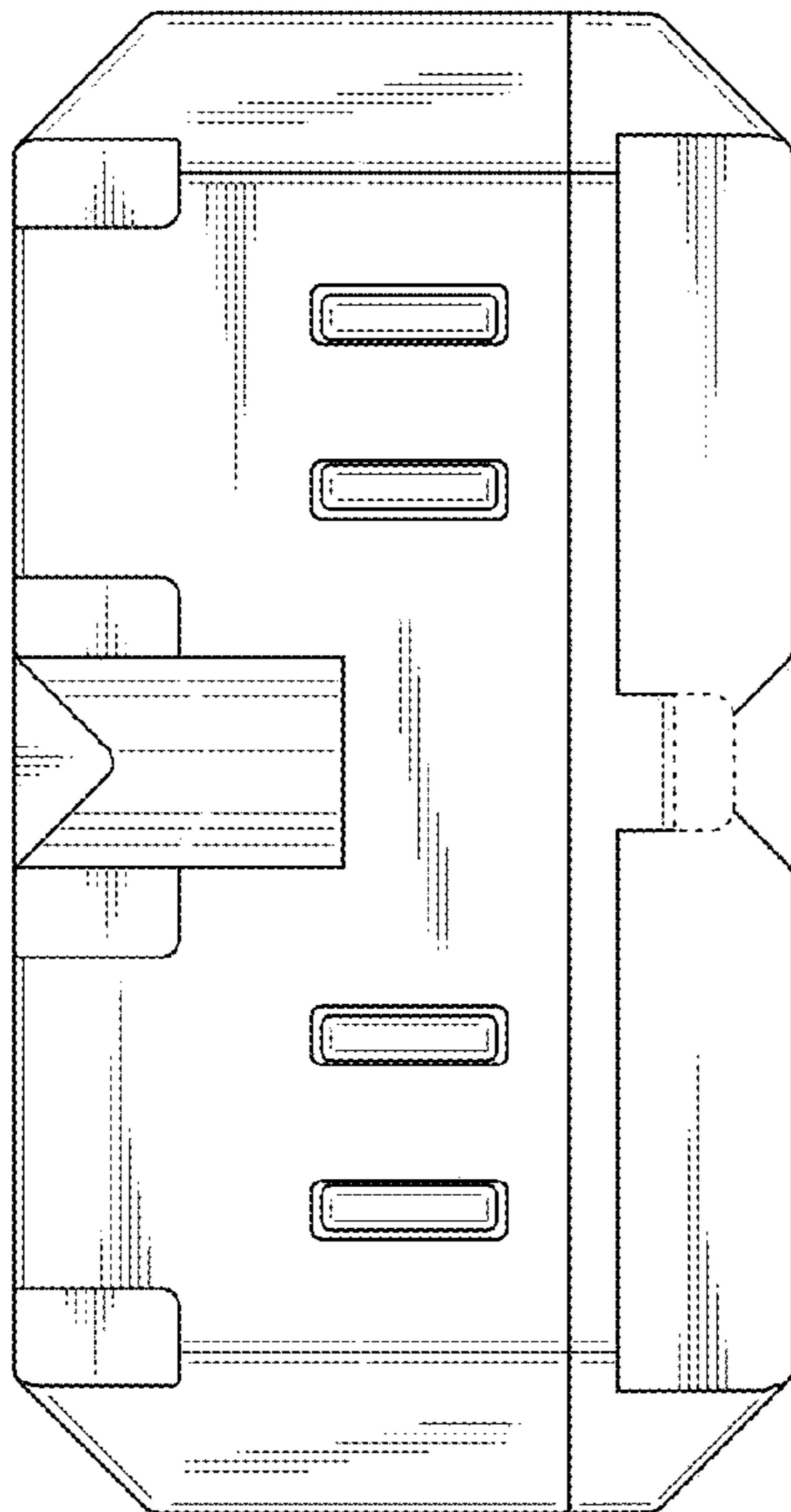


Fig. 6

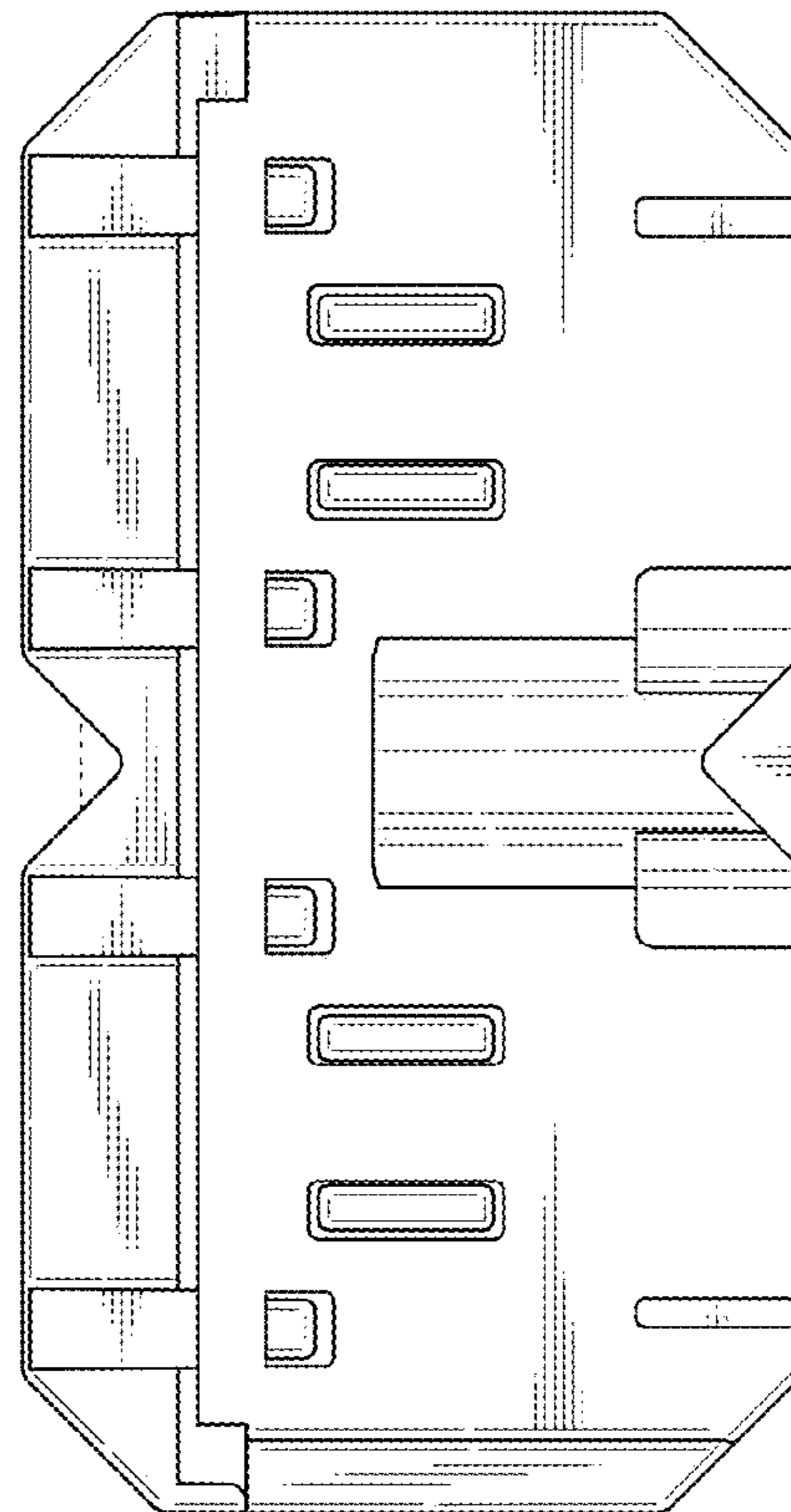


Fig. 7

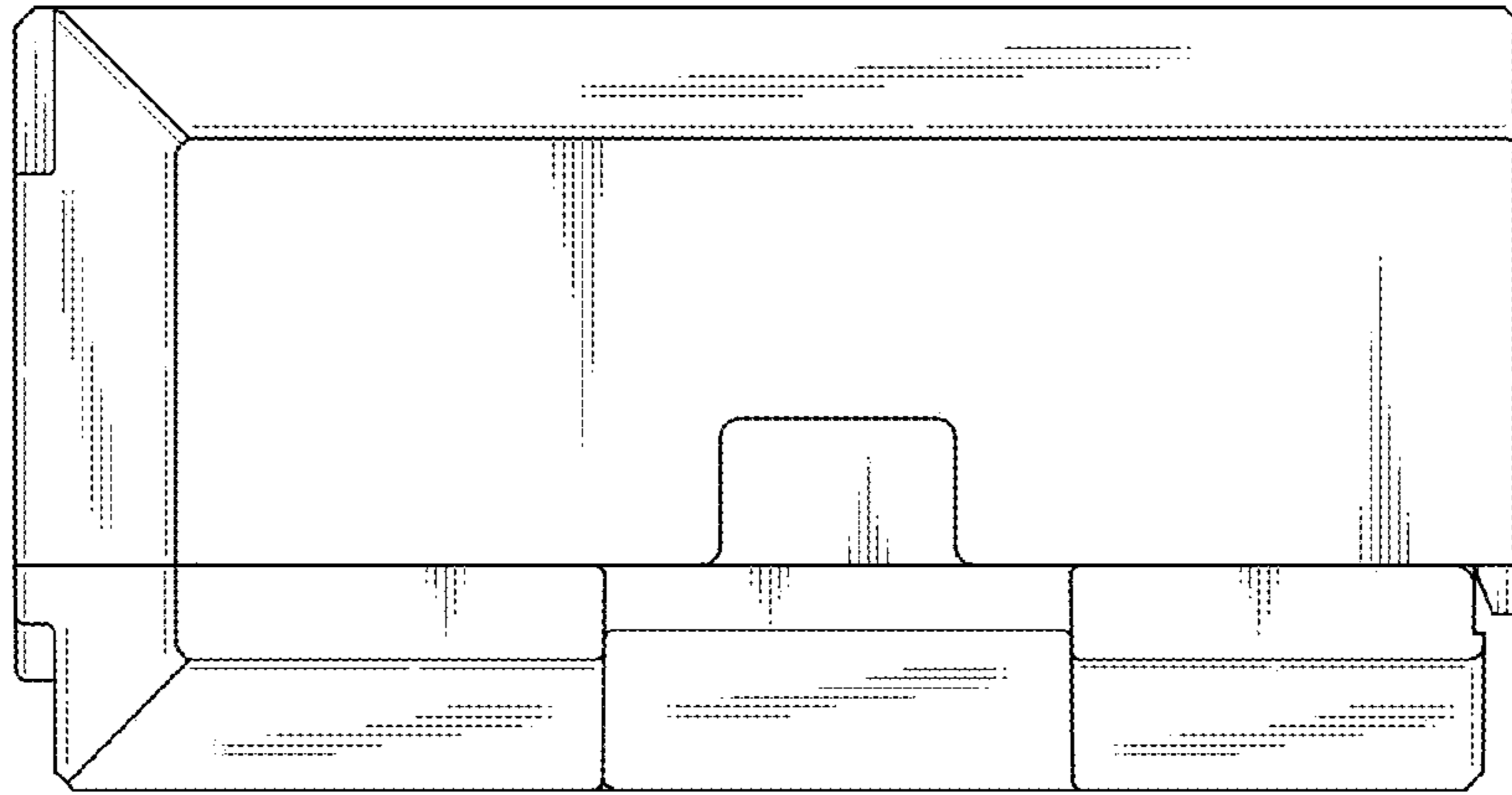


Fig. 8

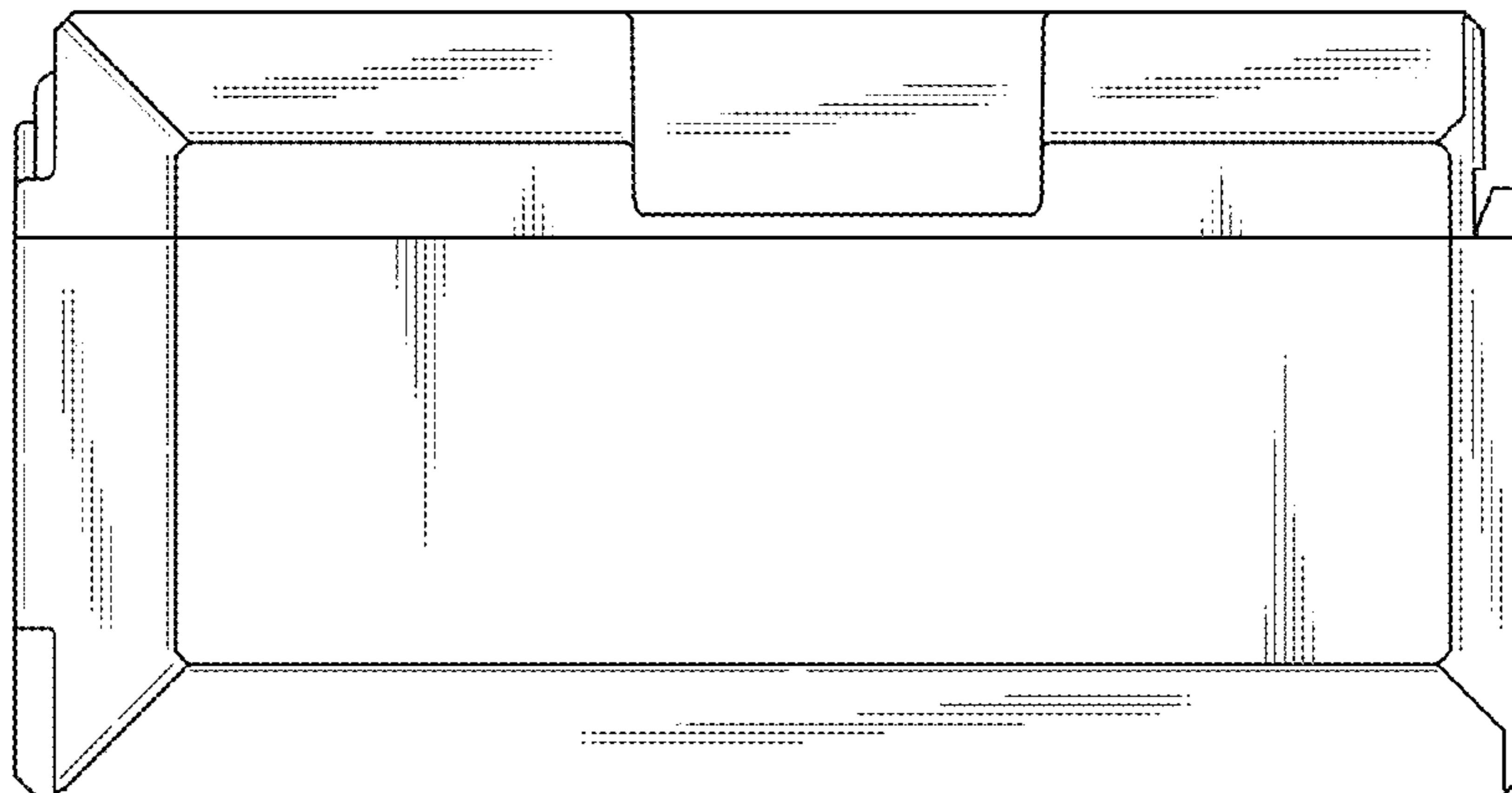


Fig. 9

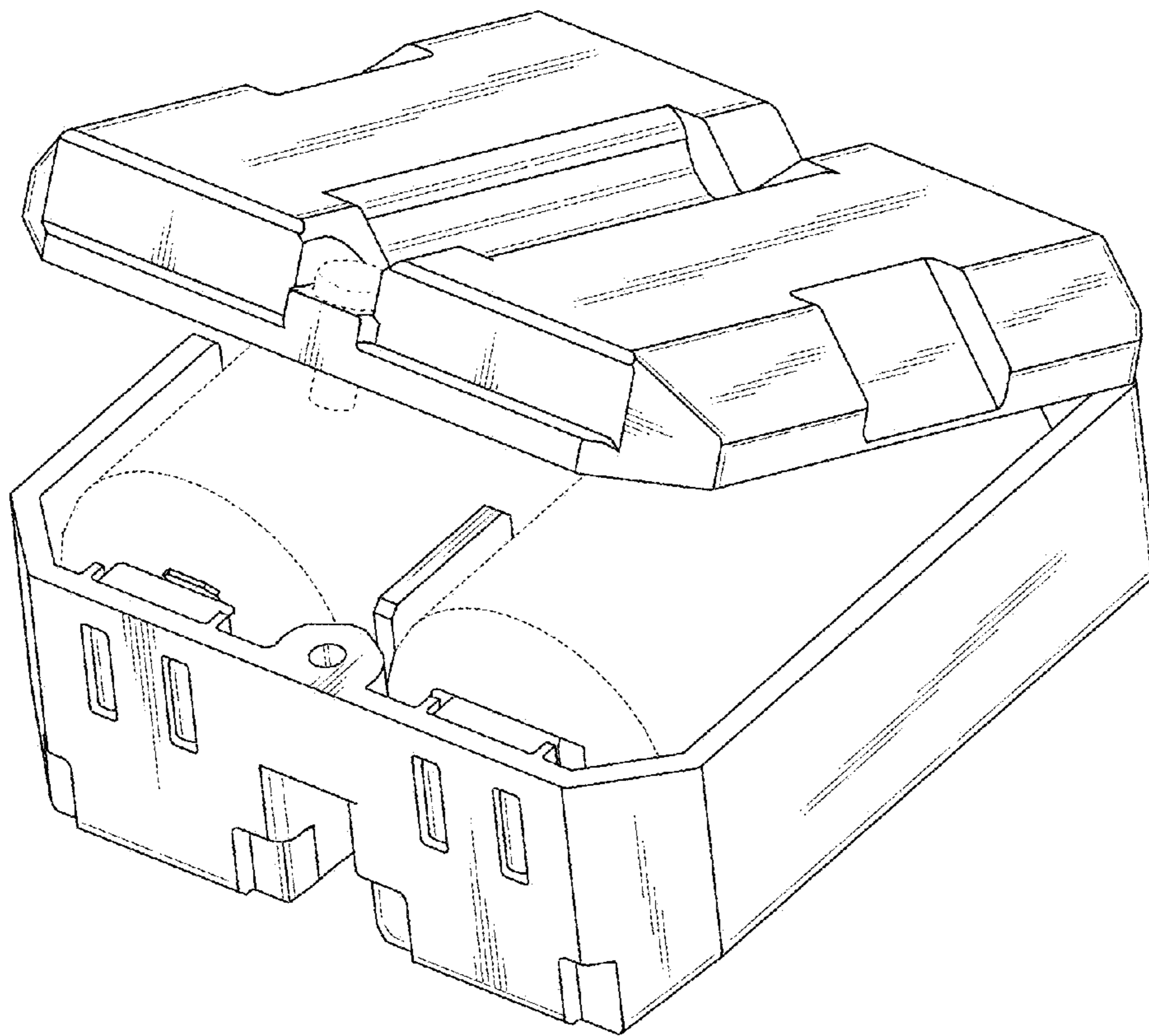




Fig. 10

