



US00D719094S

(12) **United States Design Patent**  
**Gao et al.**

(10) **Patent No.:** **US D719,094 S**  
(45) **Date of Patent:** **\*\* Dec. 9, 2014**

(54) **OPERATIONAL PANEL FOR AN UNINTERRUPTIBLE POWER SUPPLY**

(71) Applicant: **Eaton Corporation**, Cleveland, OH (US)

(72) Inventors: **Bin Gao**, Shenzhen (CN); **Yunpeng Zheng**, Shenzhen (CN); **Jian Wei**, Shenzhen (CN)

(73) Assignee: **Eaton Corporation**, Cleveland, OH (US)

(\*\*) Term: **14 Years**

(21) Appl. No.: **29/445,731**

(22) Filed: **Feb. 15, 2013**

(51) **LOC (10) Cl.** ..... **13-02**

(52) **U.S. Cl.**  
USPC ..... **D13/118**

(58) **Field of Classification Search**  
USPC ..... D13/118, 101, 110, 162, 164, 199;  
D10/49, 50, 65; D14/336, 341, 371,  
D14/374, 389; 178/18.01, 18.03, 18.06;  
361/600, 601, 622, 644, 645, 679.21;  
700/17, 83; 715/700, 764, 810

See application file for complete search history.

(56) **References Cited**

U.S. PATENT DOCUMENTS

D396,845 S *	8/1998	Caldes et al. ....	D13/118
D449,586 S *	10/2001	Aketa et al. ....	D13/168
D566,661 S *	4/2008	Ludwig et al. ....	D13/162
D623,606 S *	9/2010	Nakai et al. ....	D13/168
D628,913 S *	12/2010	Cheng .....	D10/65

\* cited by examiner

*Primary Examiner* — Derrick Holland

(74) *Attorney, Agent, or Firm* — Myers Bigel Sibley & Sajovec, PA

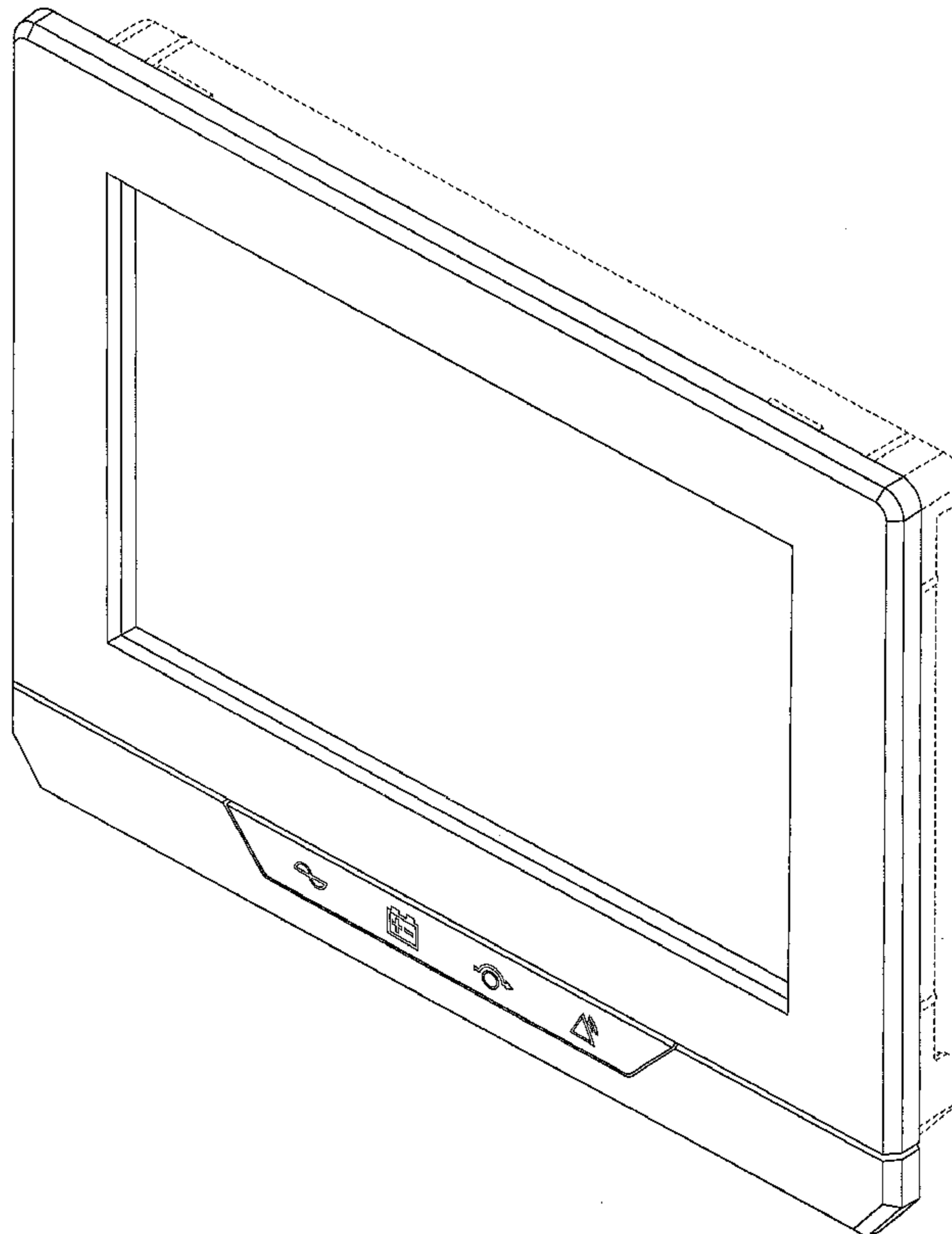
(57) **CLAIM**

The ornamental design for an operational panel for an uninterruptible power supply, as shown and described.

**DESCRIPTION**

FIG. 1 is a perspective view of an operational panel for an uninterruptible power supply showing our design;  
FIG. 2 is a front view thereof;  
FIG. 3 is a top view thereof;  
FIG. 4 is a bottom view thereof;  
FIG. 5 is a side view thereof; and,  
FIG. 6 is an opposing side view thereof.  
The rear view is disclaimed and has been omitted.  
The broken lines shown represent unclaimed subject matter and form no part of the claimed design.

**1 Claim, 3 Drawing Sheets**



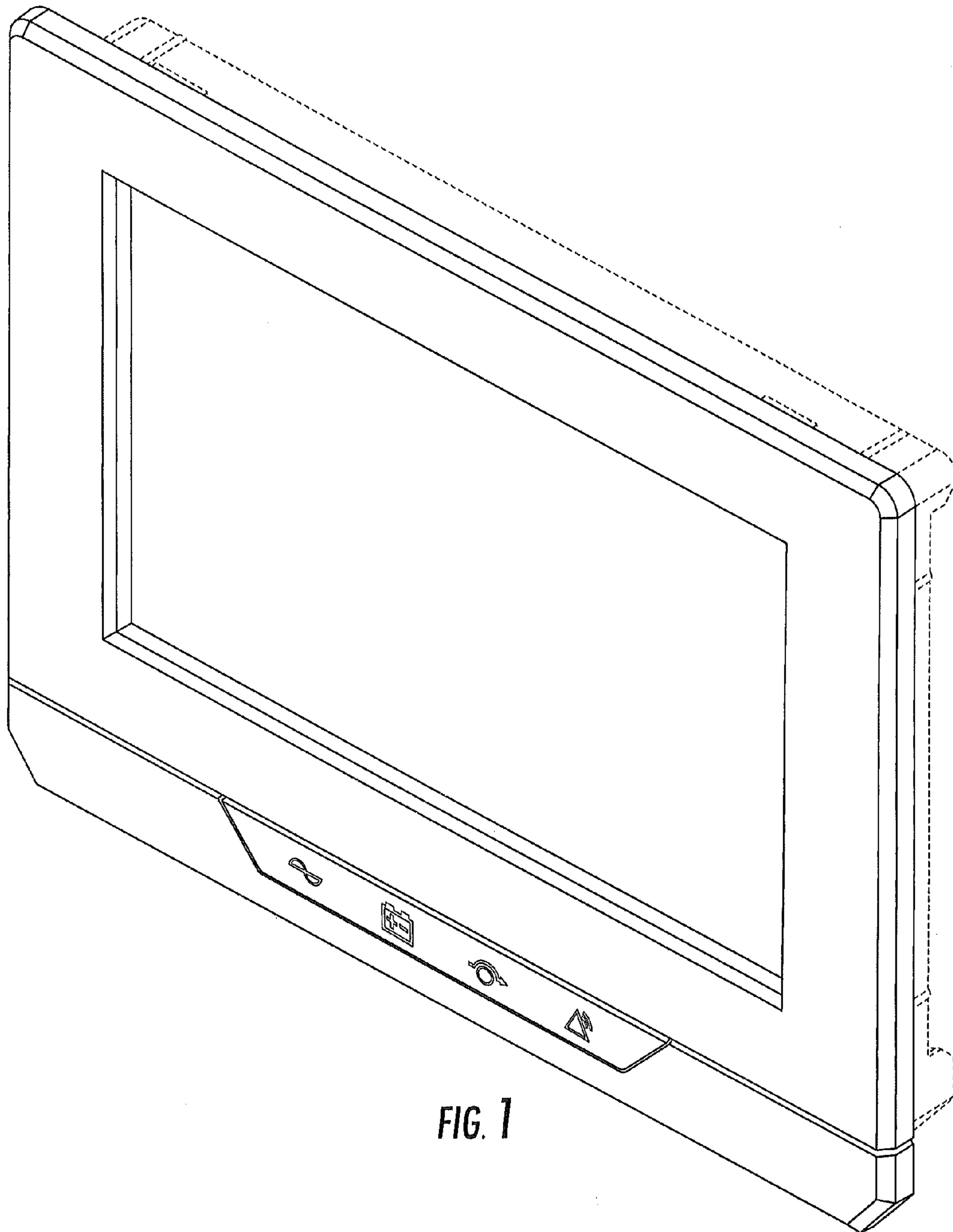


FIG. 1

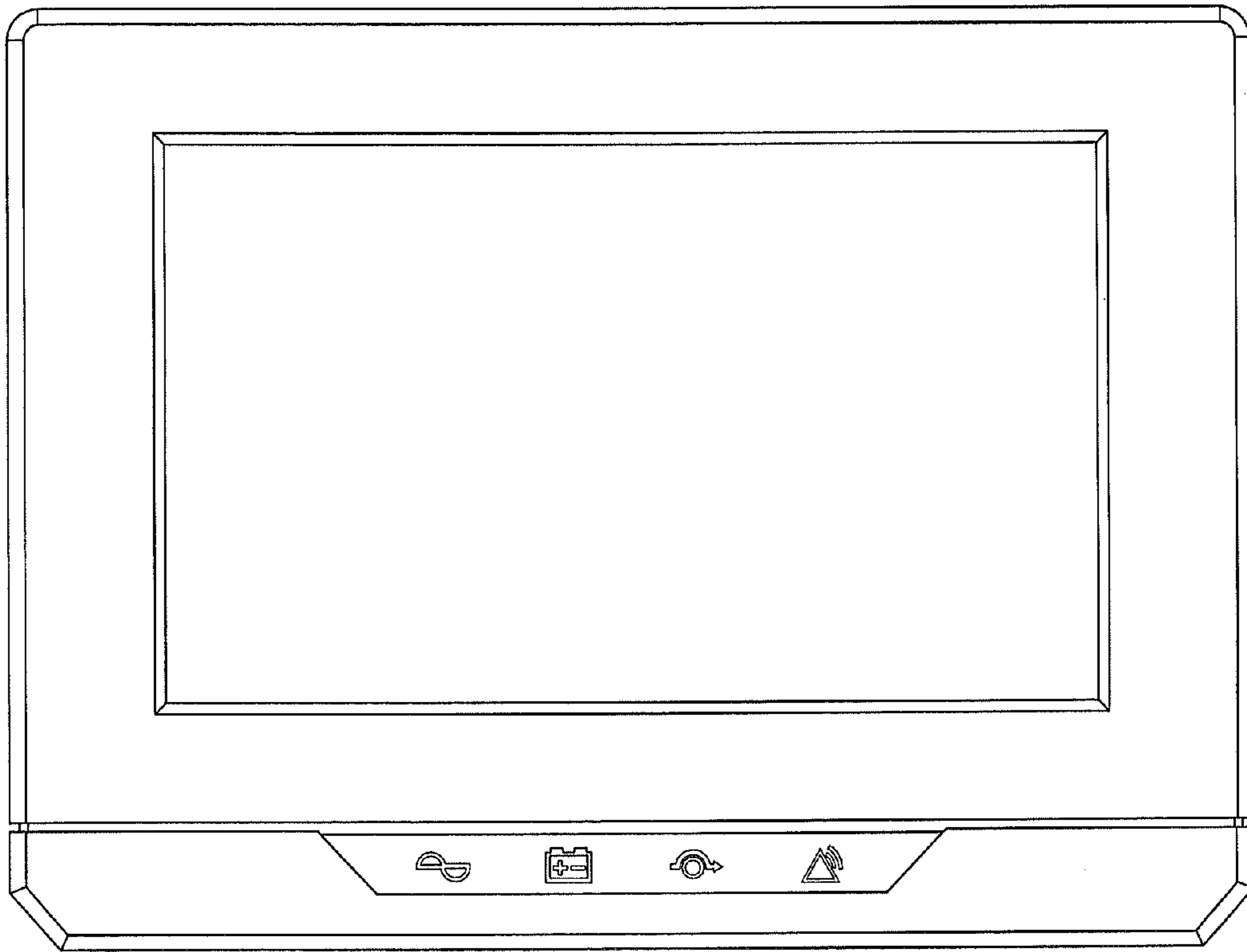


FIG. 2

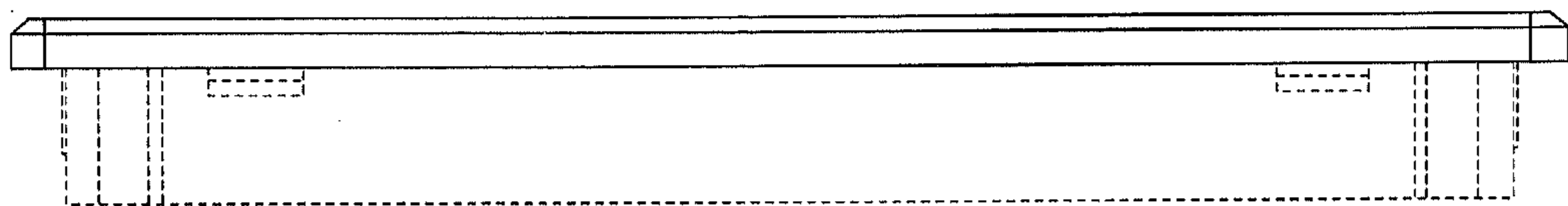


FIG. 3

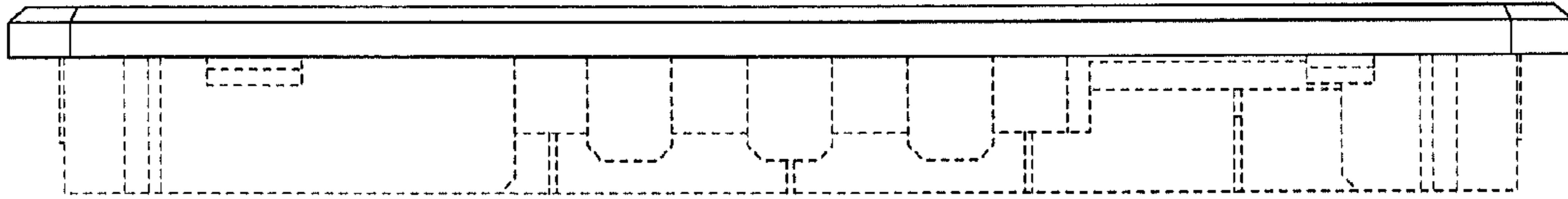


FIG. 4

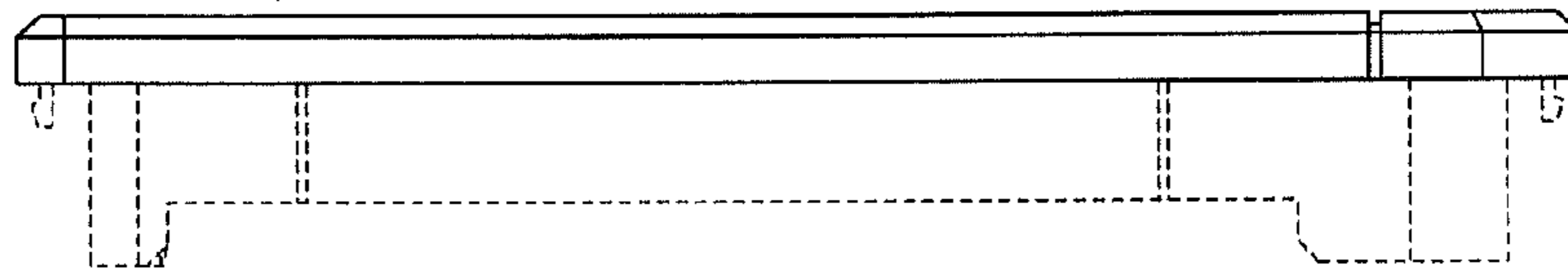


FIG. 5

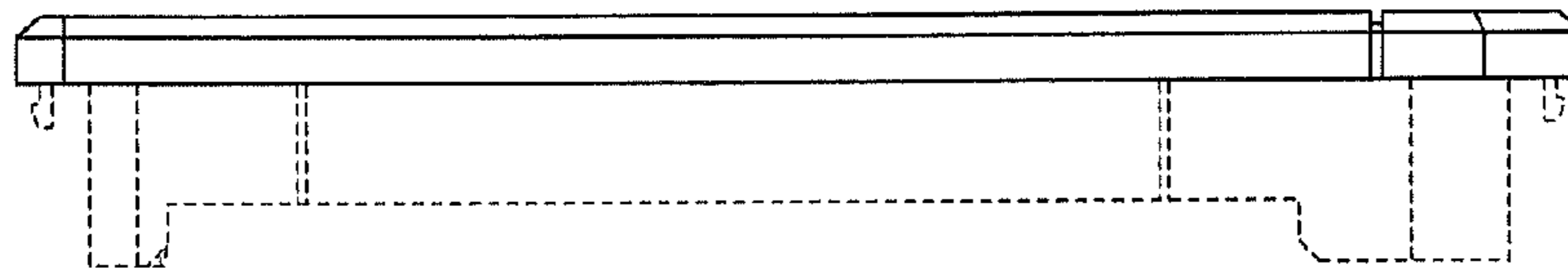


FIG. 6