



US00D719093S

(12) **United States Design Patent**  
**Levy et al.**

(10) **Patent No.:** **US D719,093 S**  
(45) **Date of Patent:** **\*\* Dec. 9, 2014**

(54) **WALL CHARGER**

(71) Applicant: **Navajo Manufacturing Company, Inc.**,  
Denver, CO (US)

(72) Inventors: **Gordon Levy**, Golden, CO (US); **David Lee Martin**, Highlands Ranch, CO (US);  
**Shawn A. Shelton**, Highlands Ranch, CO (US)

(73) Assignee: **Navajo Manufacturing Company, Inc.**,  
Denver, CO (US)

(\*\*) Term: **14 Years**

(21) Appl. No.: **29/486,364**

(22) Filed: **Mar. 28, 2014**

(51) **LOC (10) Cl.** ..... **13-02**

(52) **U.S. Cl.**  
USPC ..... **D13/110; D13/108**

(58) **Field of Classification Search**  
CPC ..... H01R 13/44; H01R 13/46; H01R 13/648;  
H01R 13/652; H01R 27/00; H01R 43/00;  
H02M 1/00; H02M 1/10; H02M 3/00; H05K  
13/00; H02J 7/00; H02J 7/025  
USPC ..... D13/110, 107, 108, 123, 133, 137.1,  
D13/138.1, 144, 199; 174/53, 54, 59, 61;  
307/150, 151; 320/111, 114; 363/132,  
363/140, 142, 143, 146; 439/105, 131, 166,  
439/171-173, 218, 518, 692, 956;  
D14/240, 251, 253, 432, 433, 434  
See application file for complete search history.

(56) **References Cited**

**U.S. PATENT DOCUMENTS**

5,613,863 A \* 3/1997 Klaus et al. .... 439/131  
5,847,545 A \* 12/1998 Chen et al. .... 320/138

6,086,395 A \* 7/2000 Lloyd et al. .... 439/172  
6,544,051 B1 \* 4/2003 Su ..... 439/131  
D478,310 S 8/2003 Andre et al.  
D478,546 S \* 8/2003 Andre et al. .... D13/110  
D503,679 S \* 4/2005 Andre et al. .... D13/110  
D519,922 S \* 5/2006 Andre et al. .... D13/110  
D574,833 S \* 8/2008 Hussaini et al. .... D14/432  
D593,031 S \* 5/2009 Miyatake et al. .... D13/110  
D596,562 S \* 7/2009 Hong et al. .... D13/110  
D616,363 S \* 5/2010 Weng ..... D13/107  
D621,782 S \* 8/2010 Chang et al. .... D13/138.1  
7,766,698 B1 8/2010 DeLuliis et al.  
D628,152 S \* 11/2010 Fujii et al. .... D13/108  
D639,238 S \* 6/2011 Serrano ..... D13/110  
8,222,773 B2 7/2012 DeLuliis et al.  
2012/0274155 A1 11/2012 DeLuliis et al.

\* cited by examiner

*Primary Examiner* — Derrick Holland

(74) *Attorney, Agent, or Firm* — Studebaker & Brackett PC

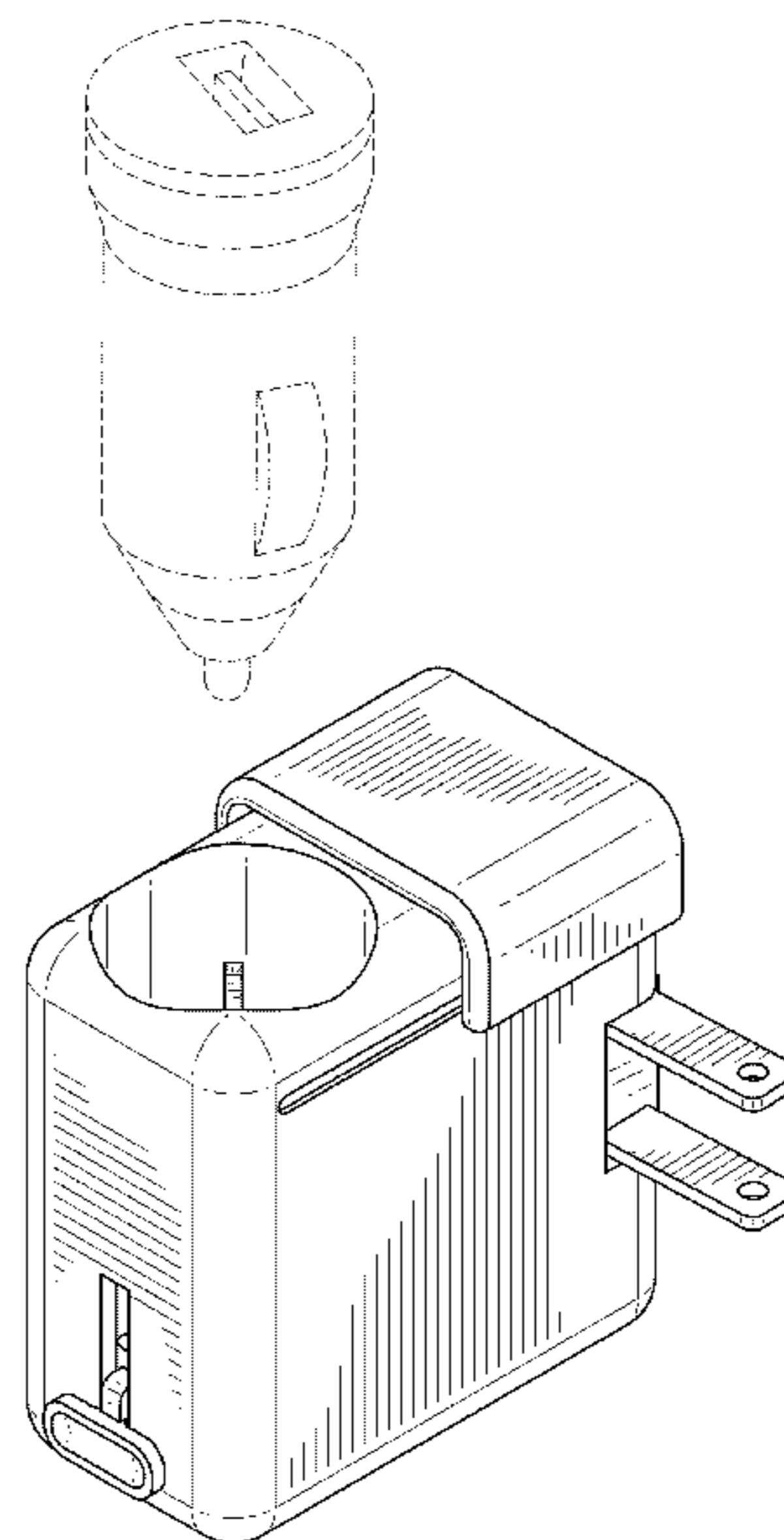
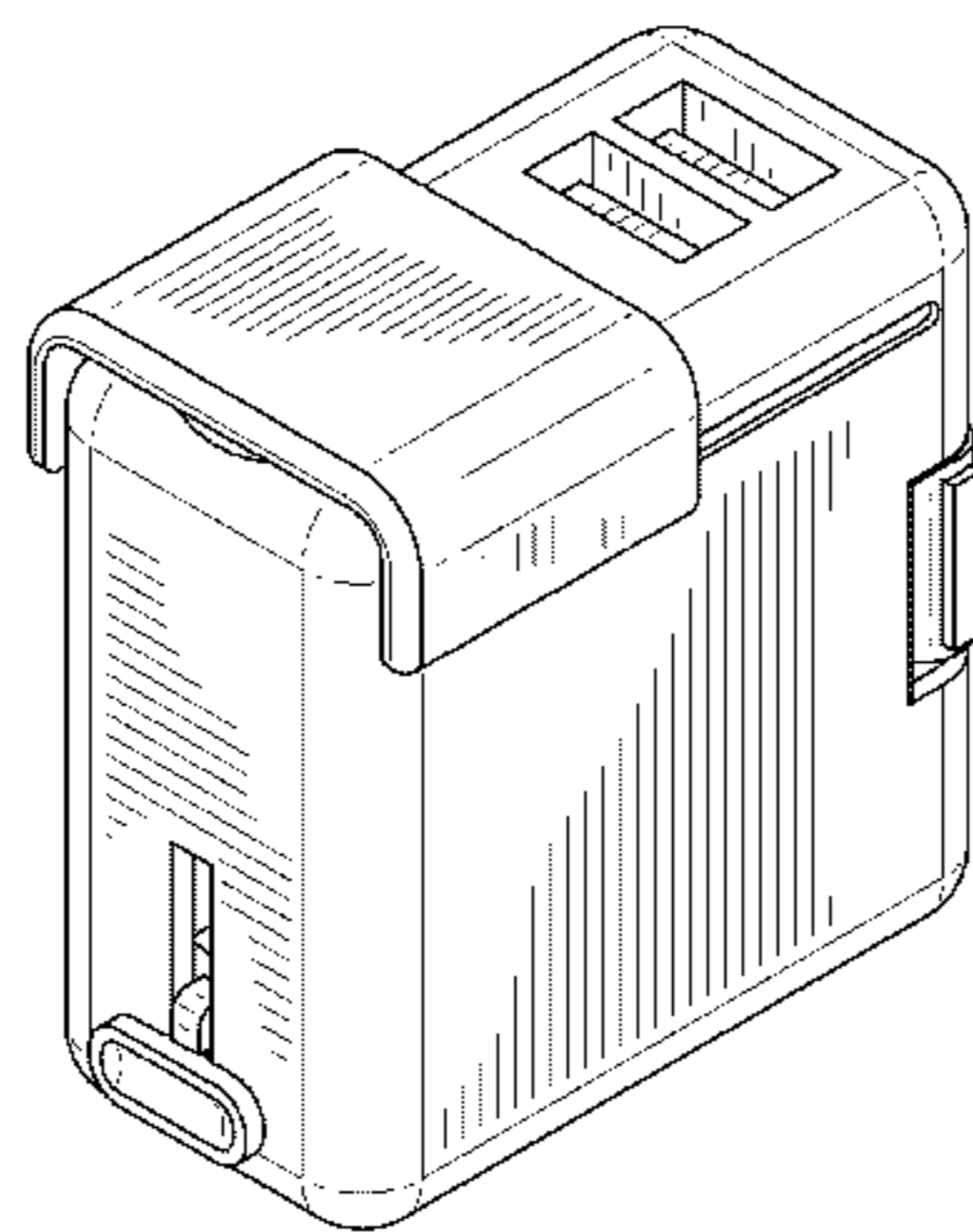
(57) **CLAIM**

The ornamental design for a wall charger, as shown and described.

**DESCRIPTION**

FIG. 1 is a perspective view showing our new design for a wall charger,  
FIG. 2 is a front view thereof,  
FIG. 3 is a rear view thereof,  
FIG. 4 is a top view thereof,  
FIG. 5 is a bottom view thereof,  
FIG. 6 is a left side view thereof,  
FIG. 7 is a right side view thereof; and,  
FIG. 8 is an exploded environmental perspective view thereof, with the cover and prong elements shown in an alternate position.  
The broken lines shown represent unclaimed subject matter and form no part of the claimed design.

**1 Claim, 5 Drawing Sheets**



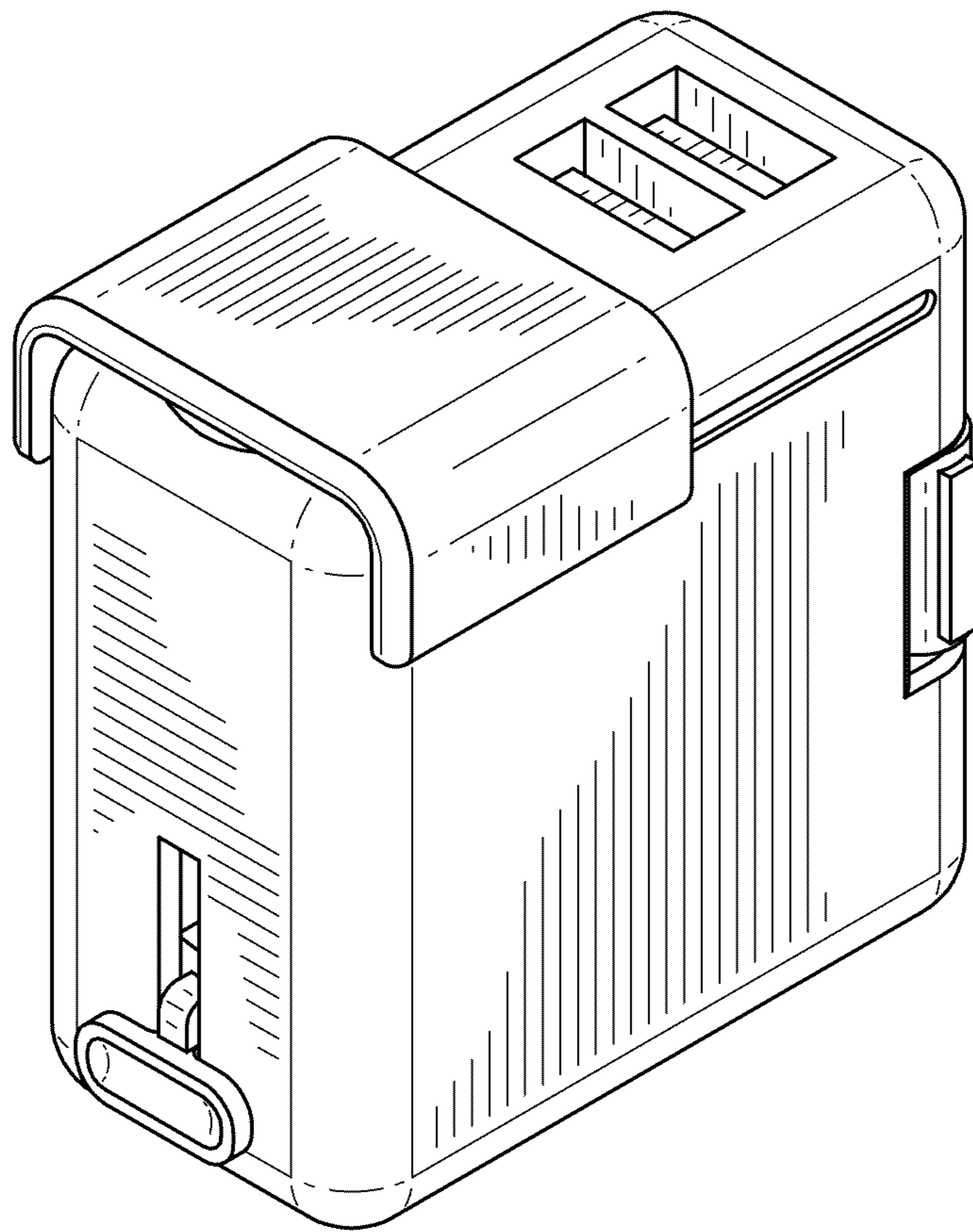


FIG. 1

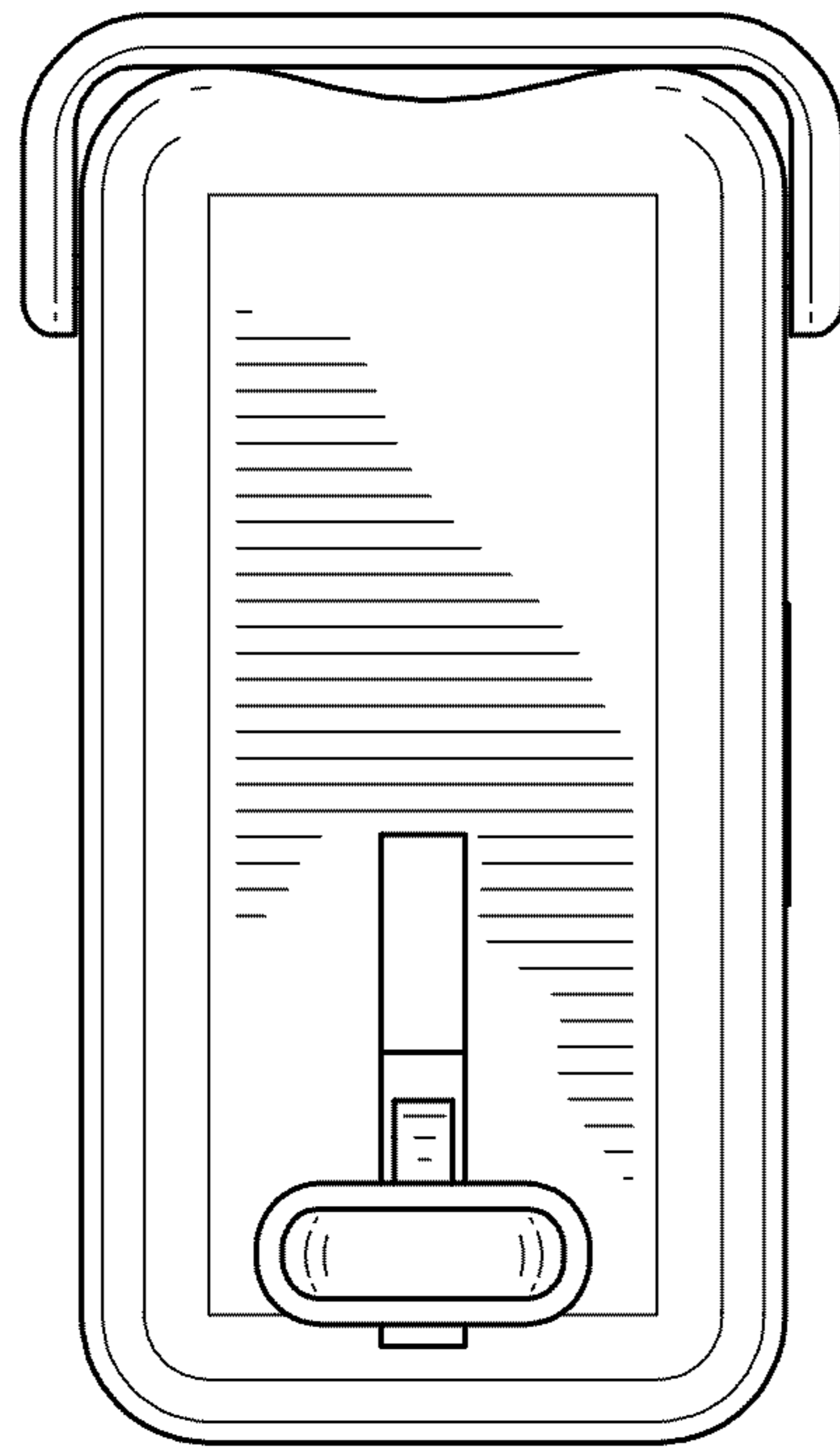


FIG. 2

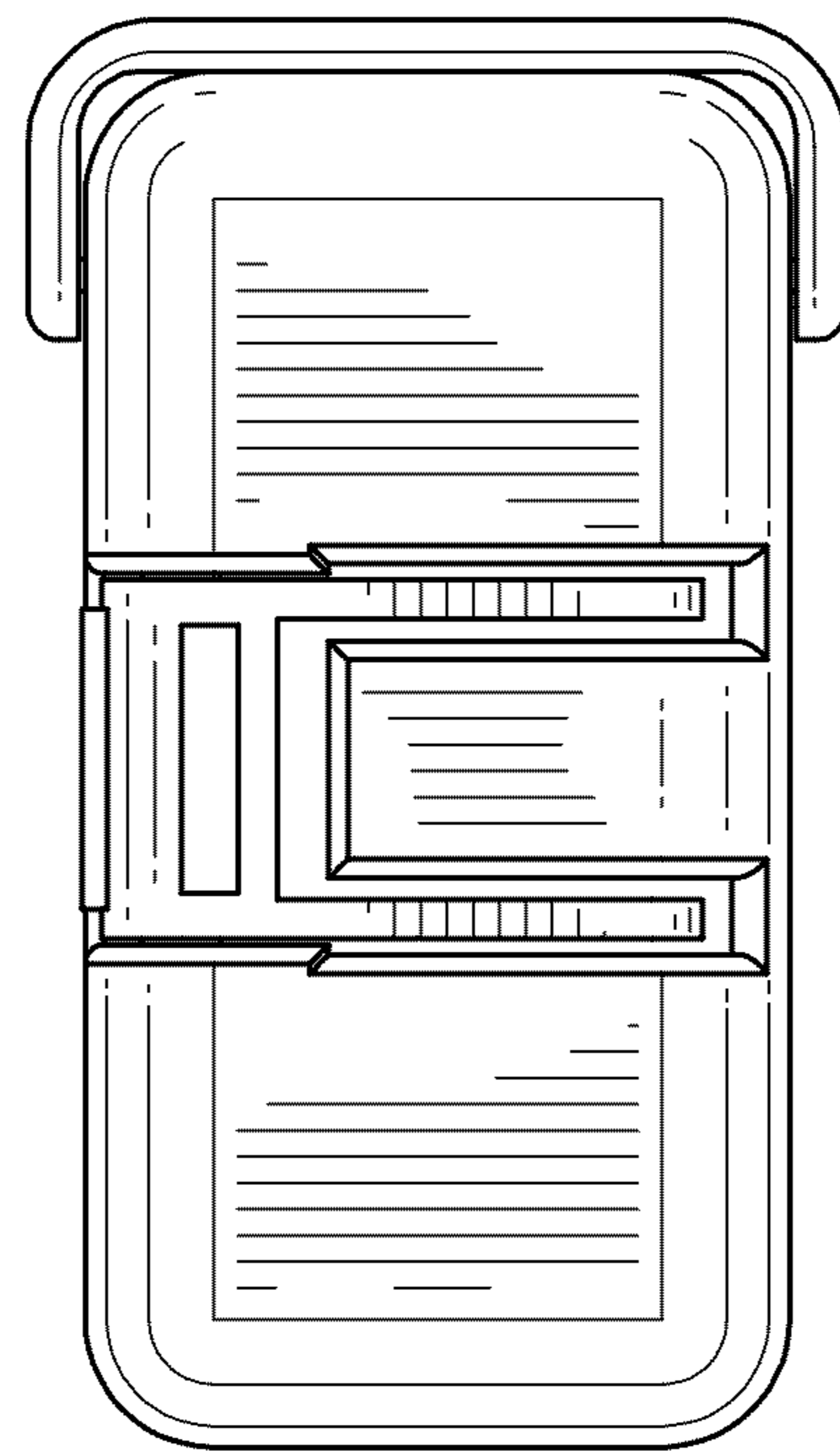


FIG. 3

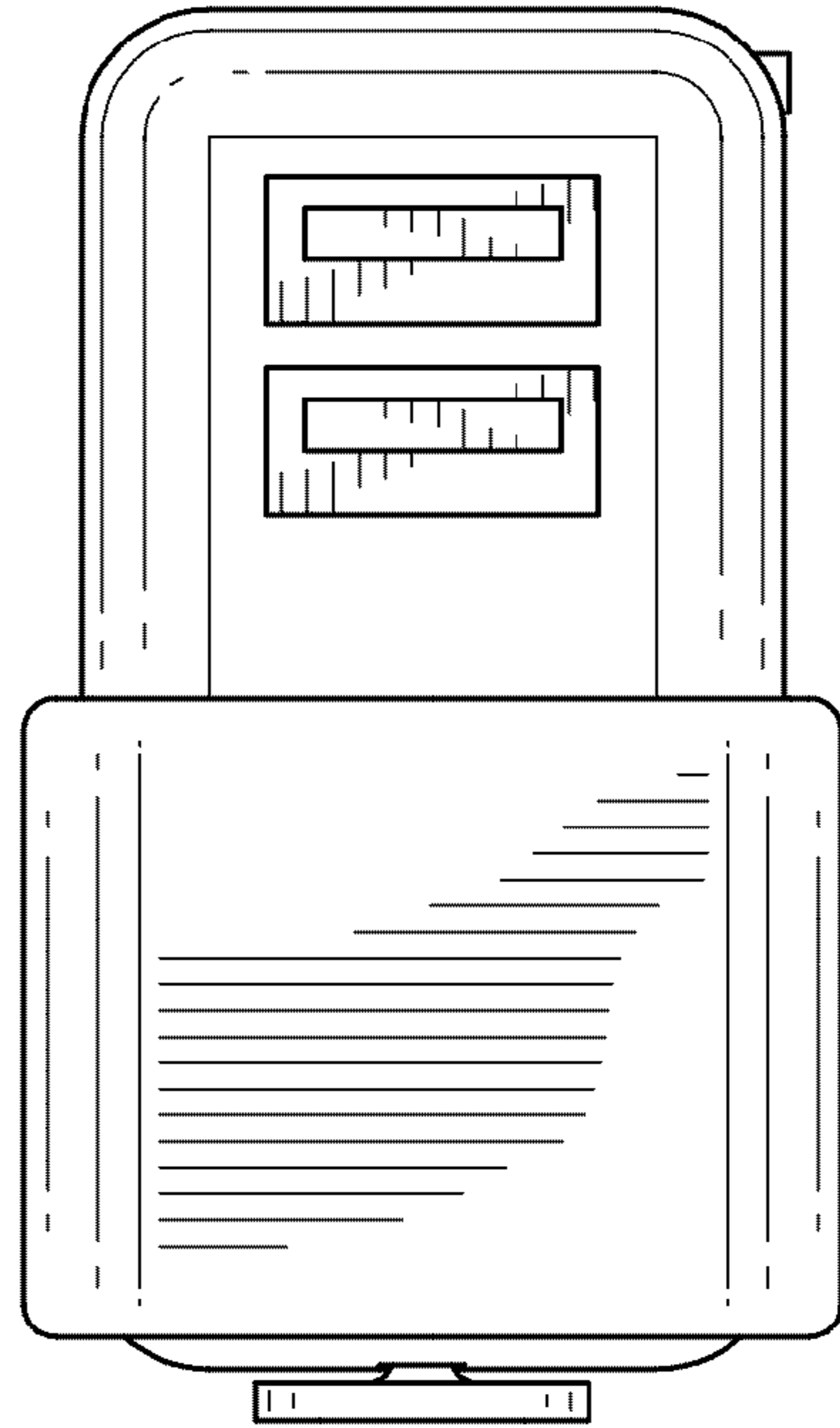


FIG. 4

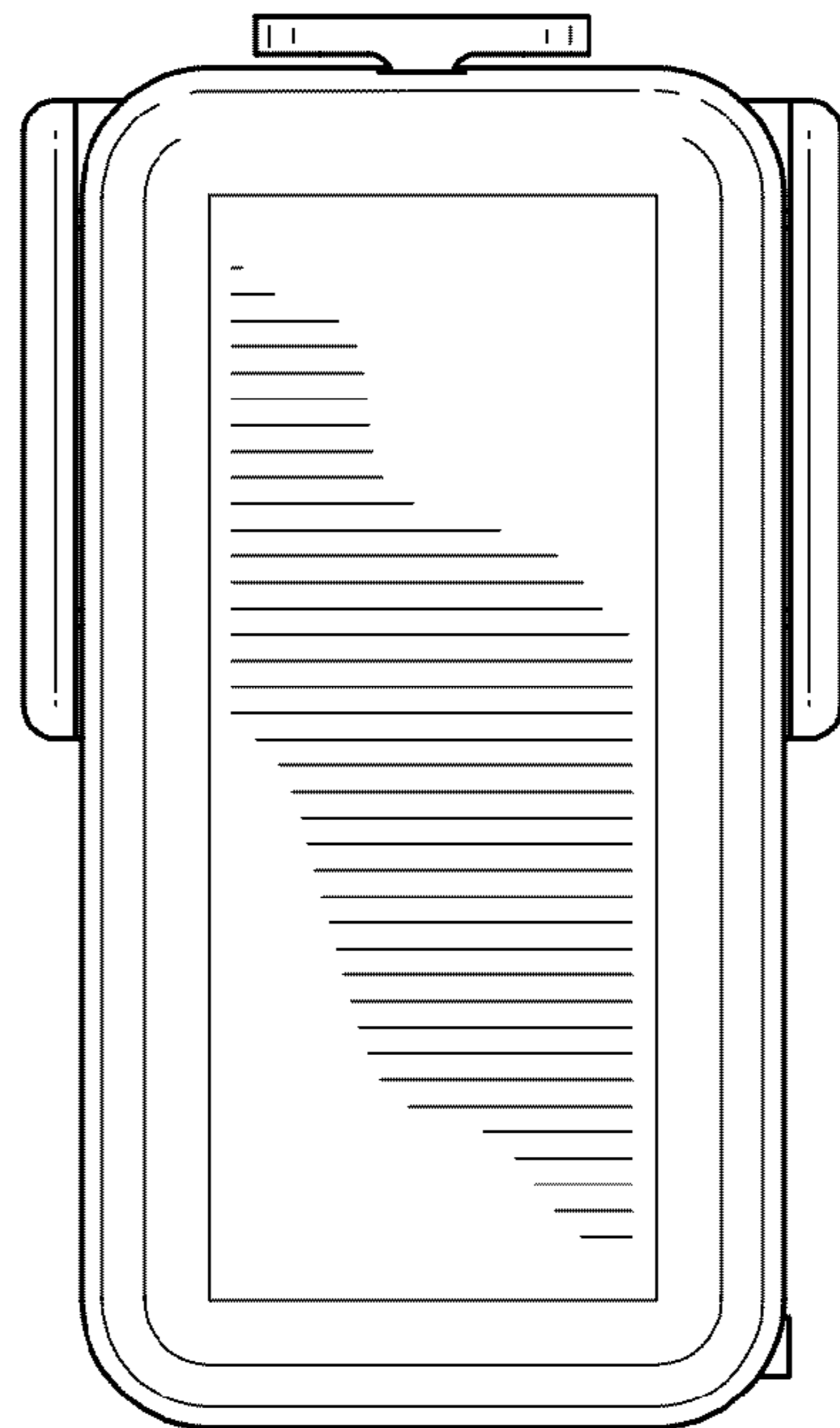


FIG. 5



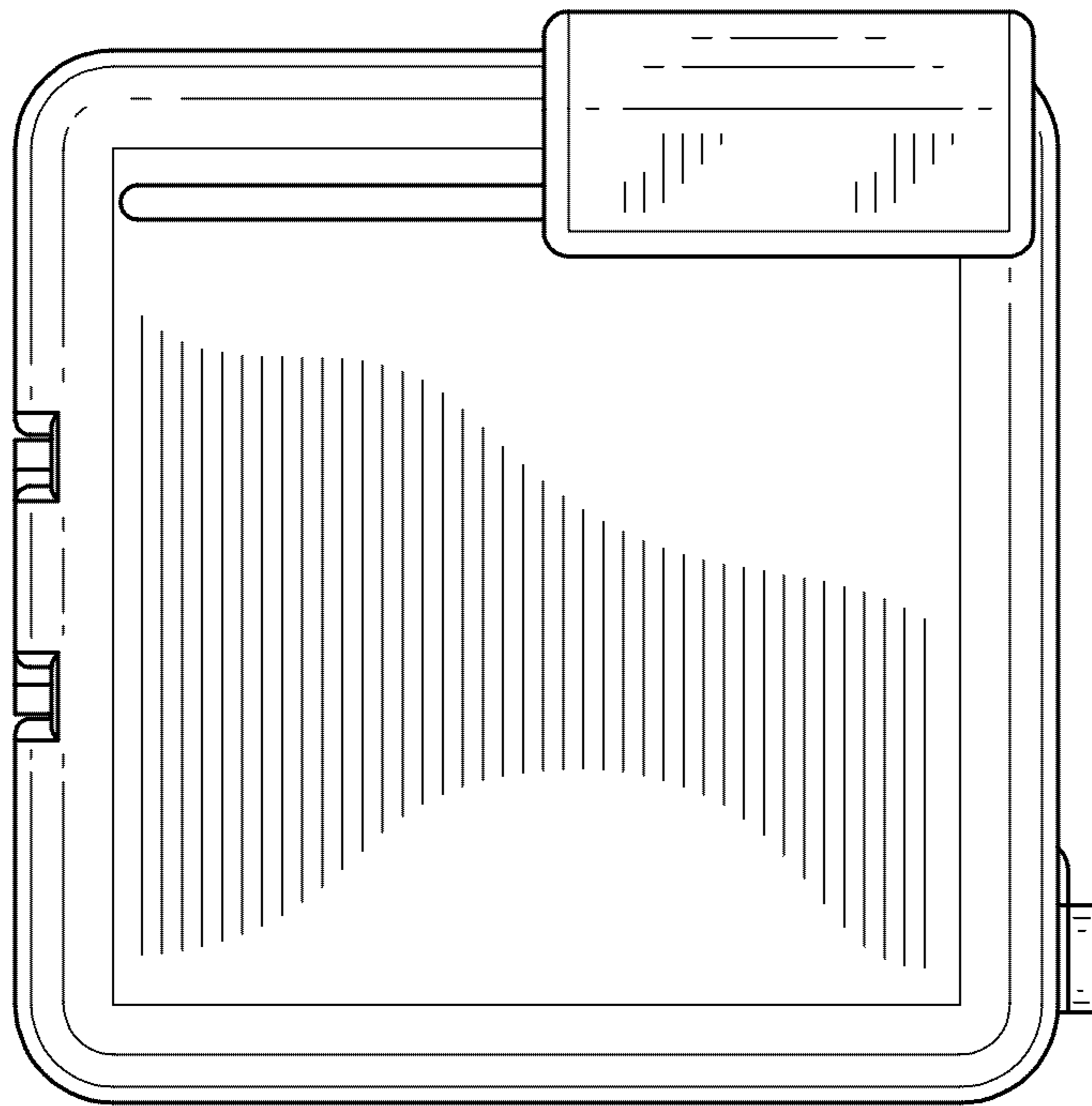


FIG. 6

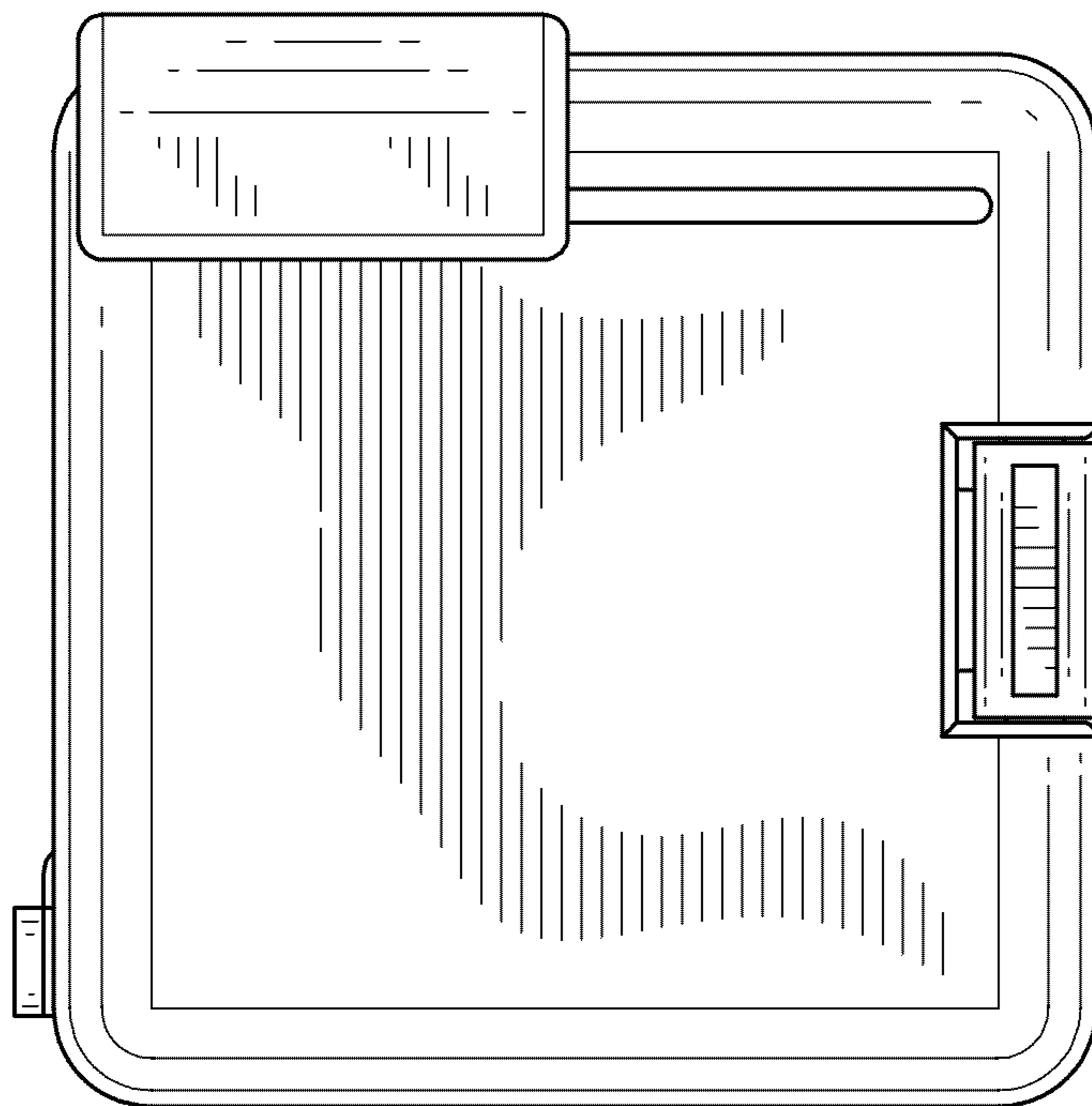


FIG. 7

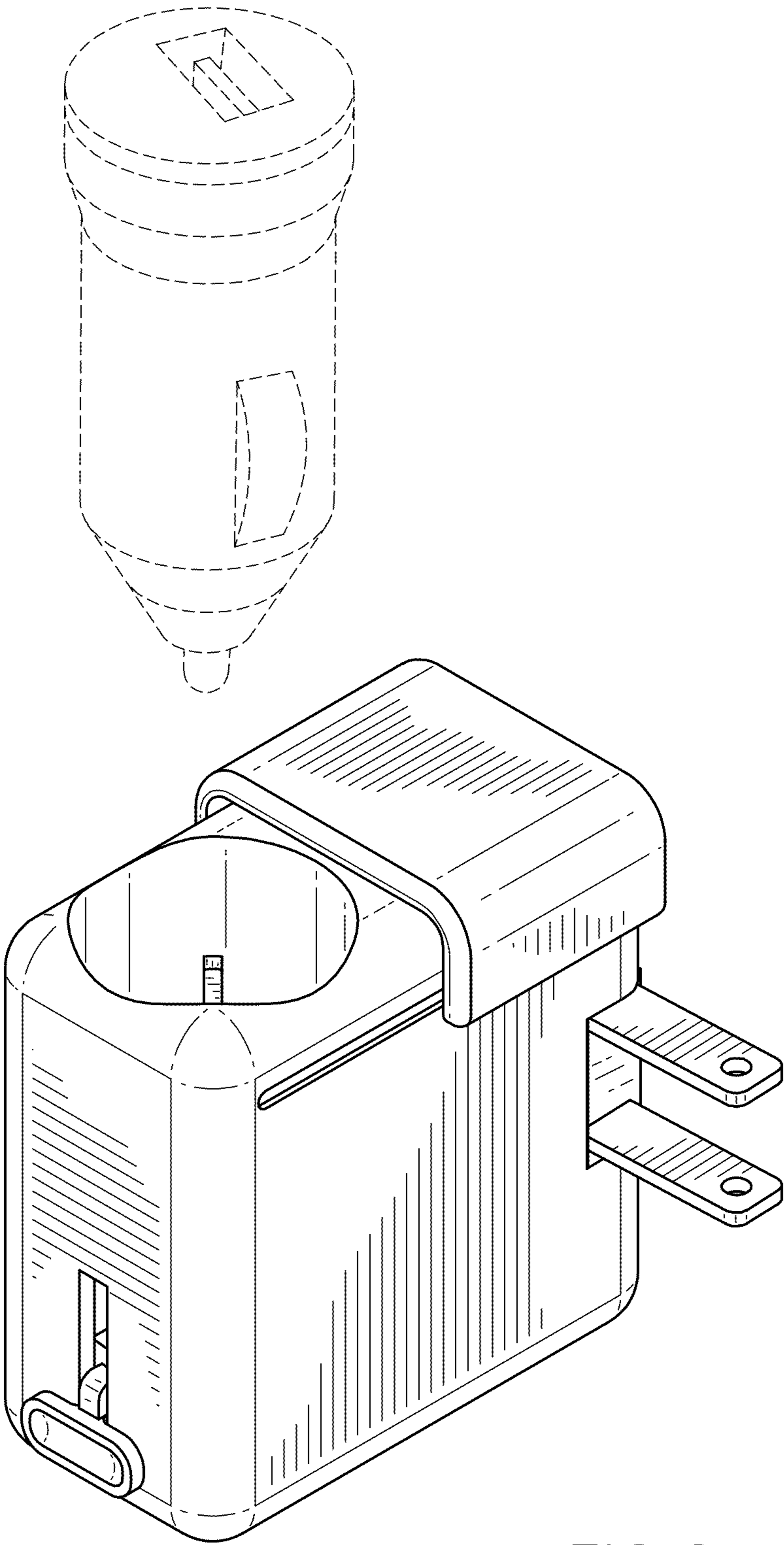


FIG.8