



US00D719090S

(12) **United States Design Patent**
Shinada et al.

(10) **Patent No.:** **US D719,090 S**

(45) **Date of Patent:** **** Dec. 9, 2014**

(54) **BATTERY CHARGER**

(71) Applicants: **Youhei Shinada**, Oyama (JP); **Teruhisa Iwata**, Tokyo (JP)

(72) Inventors: **Youhei Shinada**, Oyama (JP); **Teruhisa Iwata**, Tokyo (JP)

(73) Assignee: **Komatsu Ltd.**, Tokyo (JP)

(**) Term: **14 Years**

(21) Appl. No.: **29/463,250**

(22) Filed: **Sep. 20, 2013**

(30) **Foreign Application Priority Data**

Jun. 21, 2013 (JP) 2013-014063

(51) **LOC (10) Cl.** **13-02**

(52) **U.S. Cl.**
USPC **D13/107**

(58) **Field of Classification Search**

USPC D13/107-110, 118-119, 184, 199;
D14/251, 253, 432, 434; 320/107-115,
320/128, 137-140

See application file for complete search history.

(56) **References Cited**

U.S. PATENT DOCUMENTS

D218,372 S *	8/1970	Grat et al.	D24/232
D219,923 S *	2/1971	Marchand	D13/110
D254,846 S *	4/1980	Wood	D13/110
D278,047 S *	3/1985	Puckett et al.	D13/107
D345,137 S *	3/1994	Thomas	D13/110
D414,497 S *	9/1999	Kulcarni	D14/140.2

* cited by examiner

Primary Examiner — Rosemary K Tarcza

(74) *Attorney, Agent, or Firm* — Manabu Kanesaka

(57) **CLAIM**

The ornamental design for a battery charger, as shown and described.

DESCRIPTION

FIG. 1 is a perspective view of a battery charger showing our new design;

FIG. 2 is another perspective view thereof;

FIG. 3 is a front view thereof;

FIG. 4 is a rear view thereof;

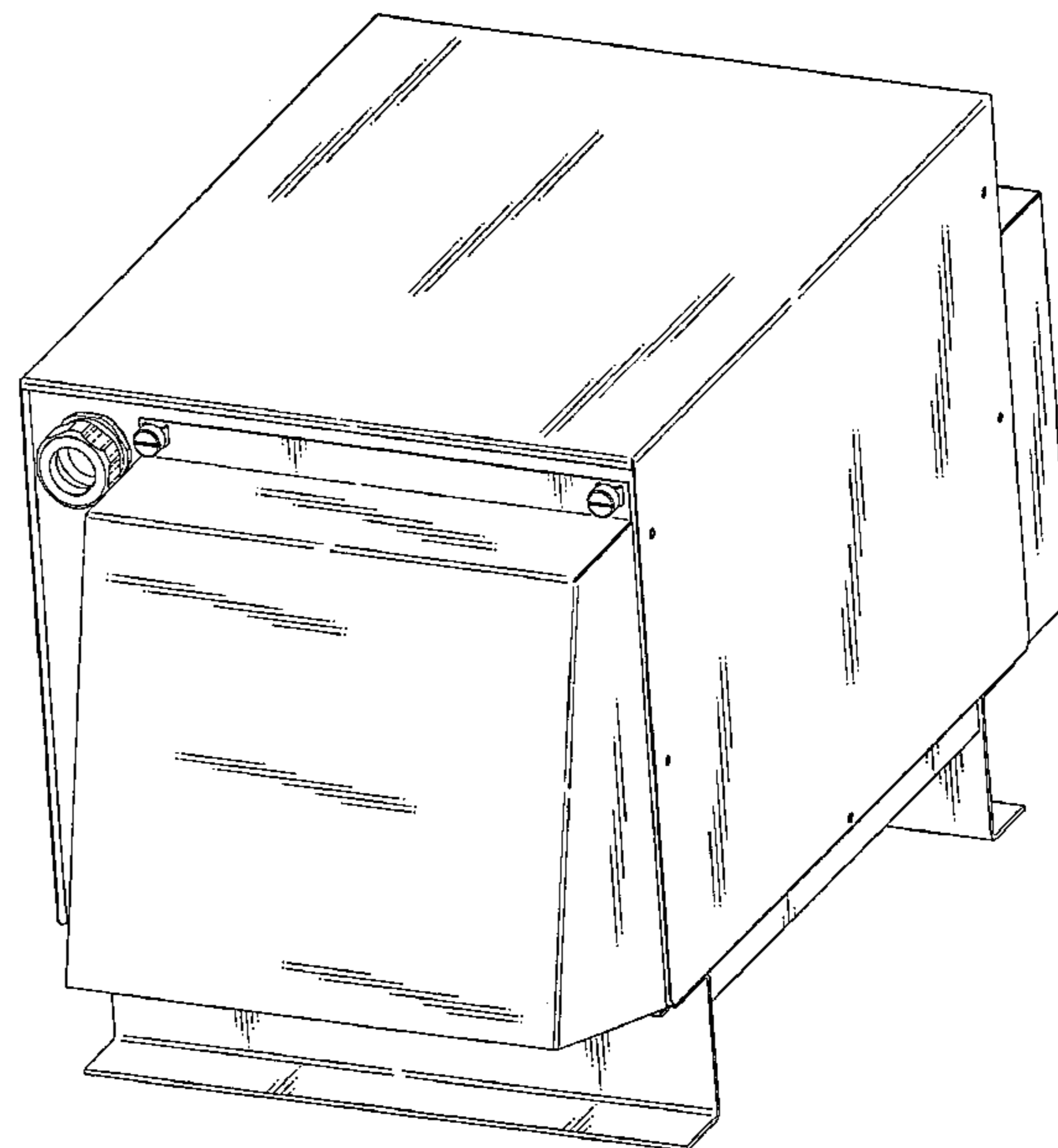
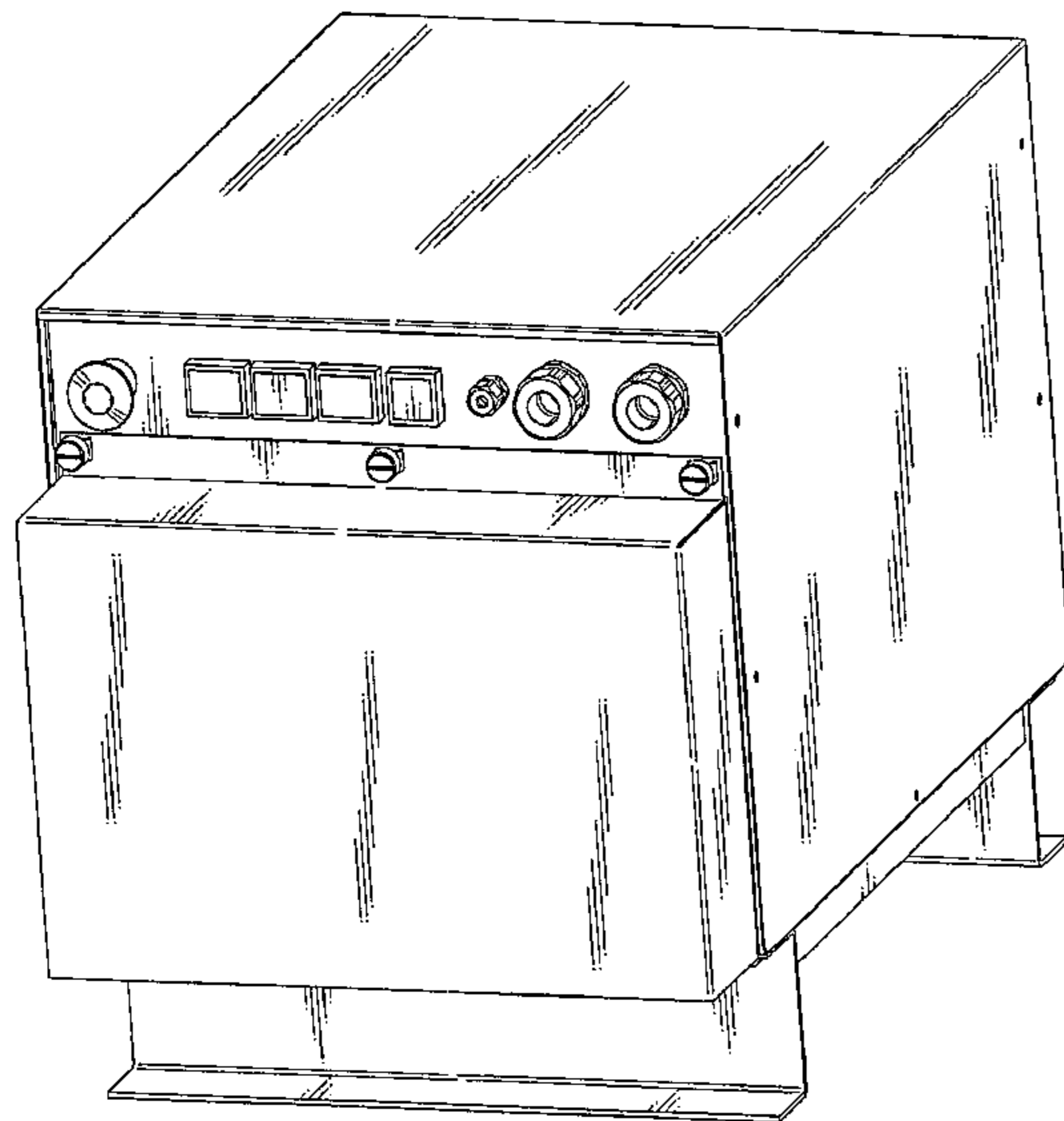
FIG. 5 is a plan view thereof;

FIG. 6 is a bottom view thereof;

FIG. 7 is a right side view thereof; and,

FIG. 8 is a left side view thereof.

1 Claim, 7 Drawing Sheets



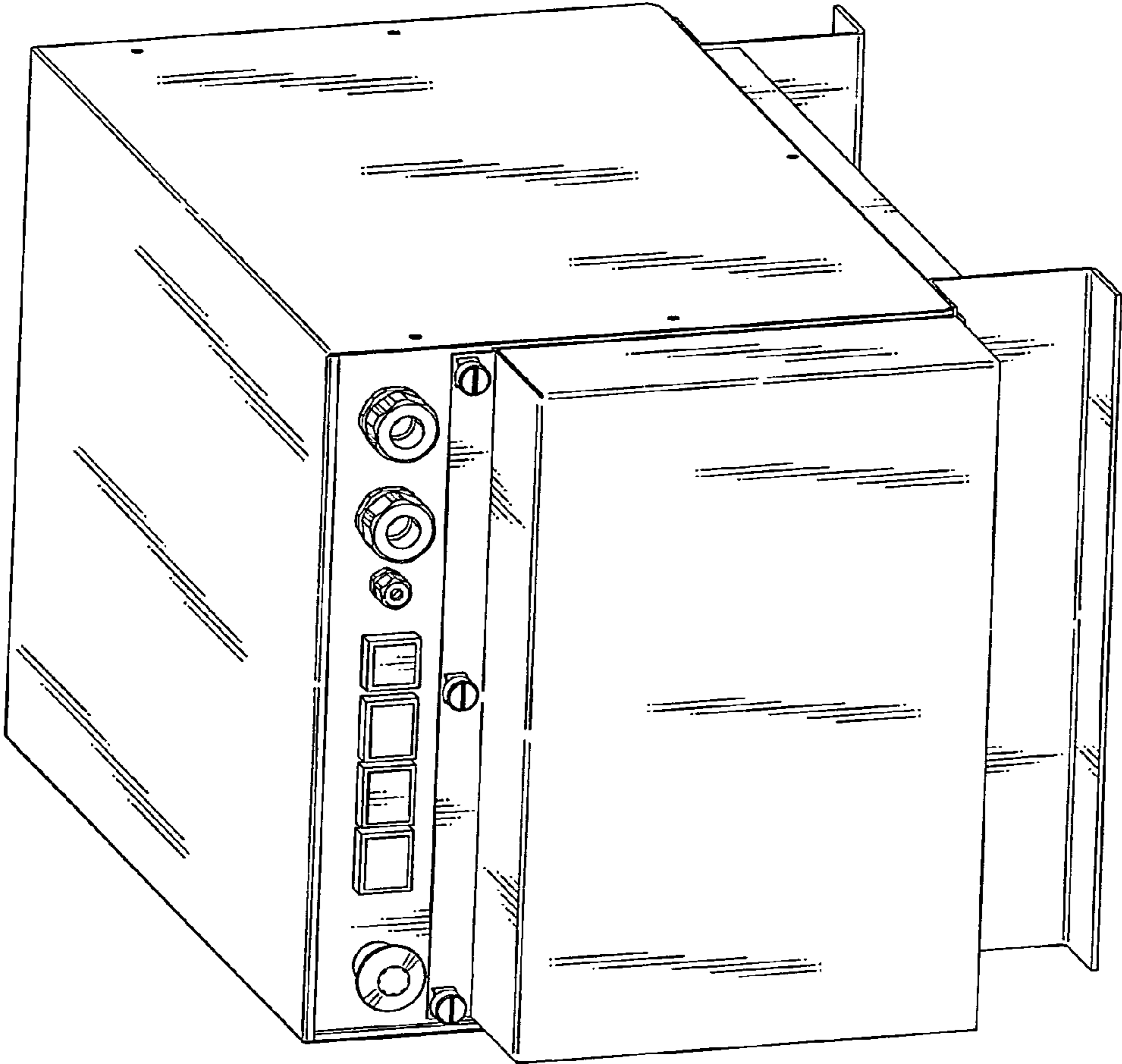


Fig. 1

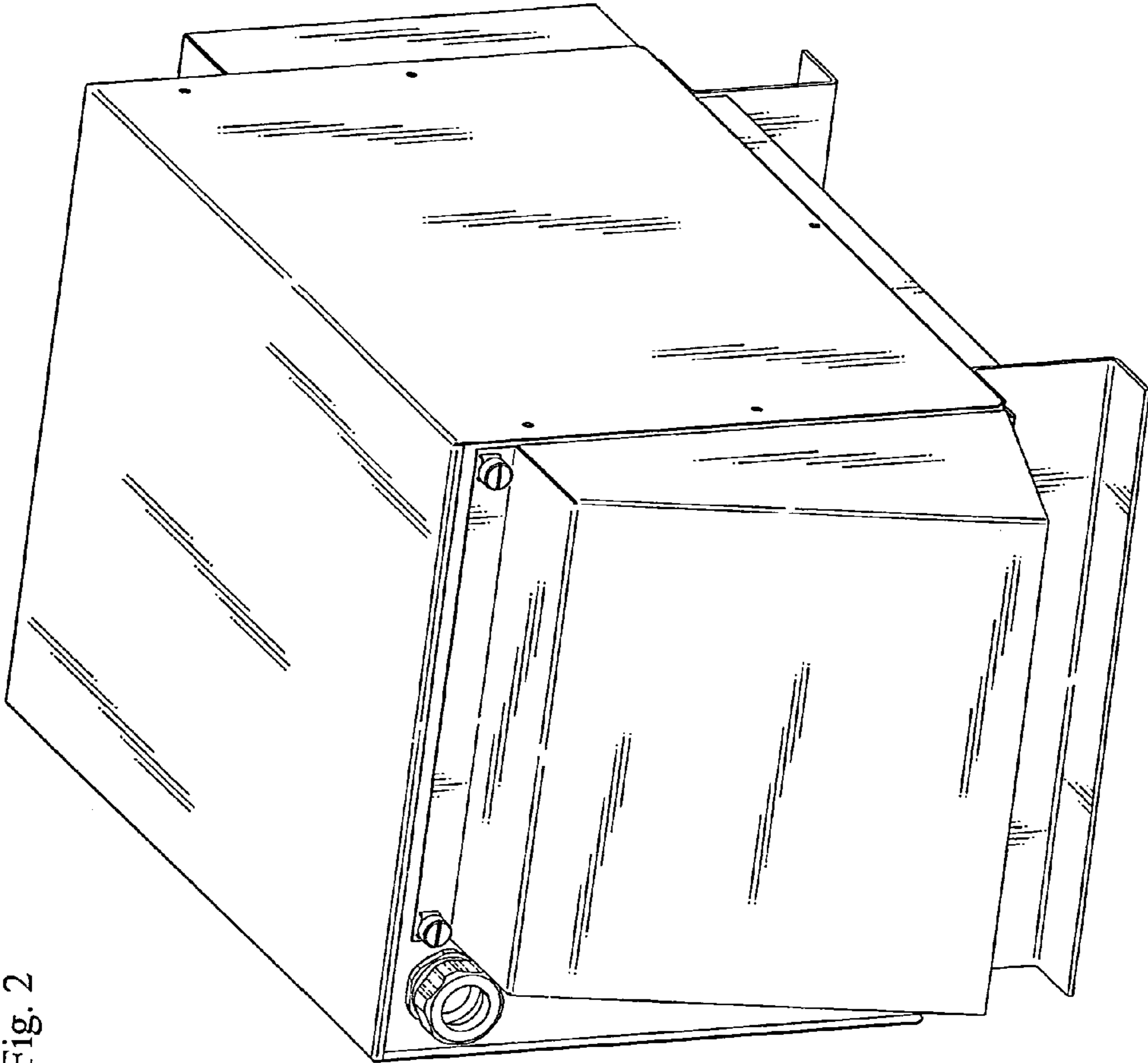


Fig. 2

Fig. 3

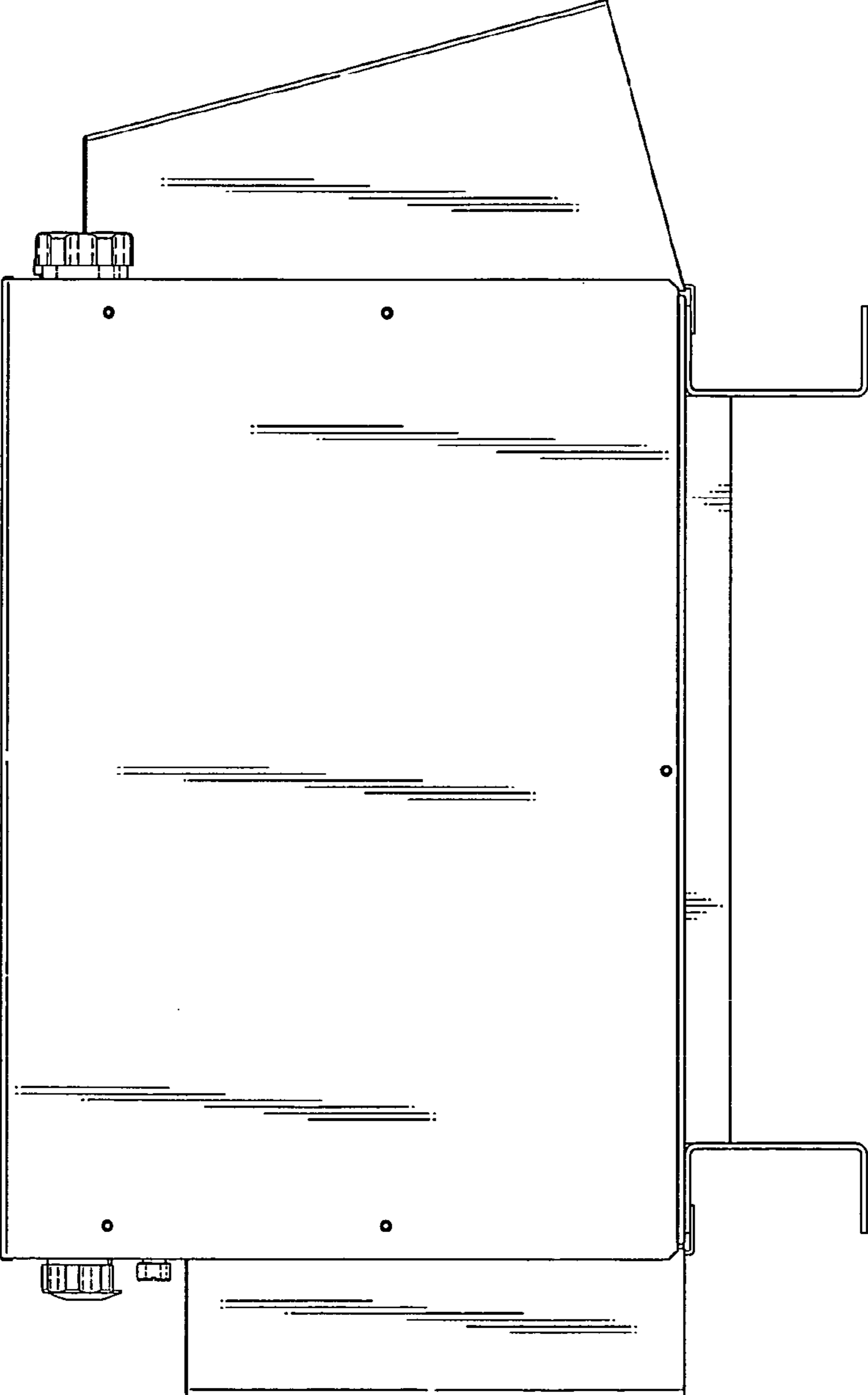


Fig. 4

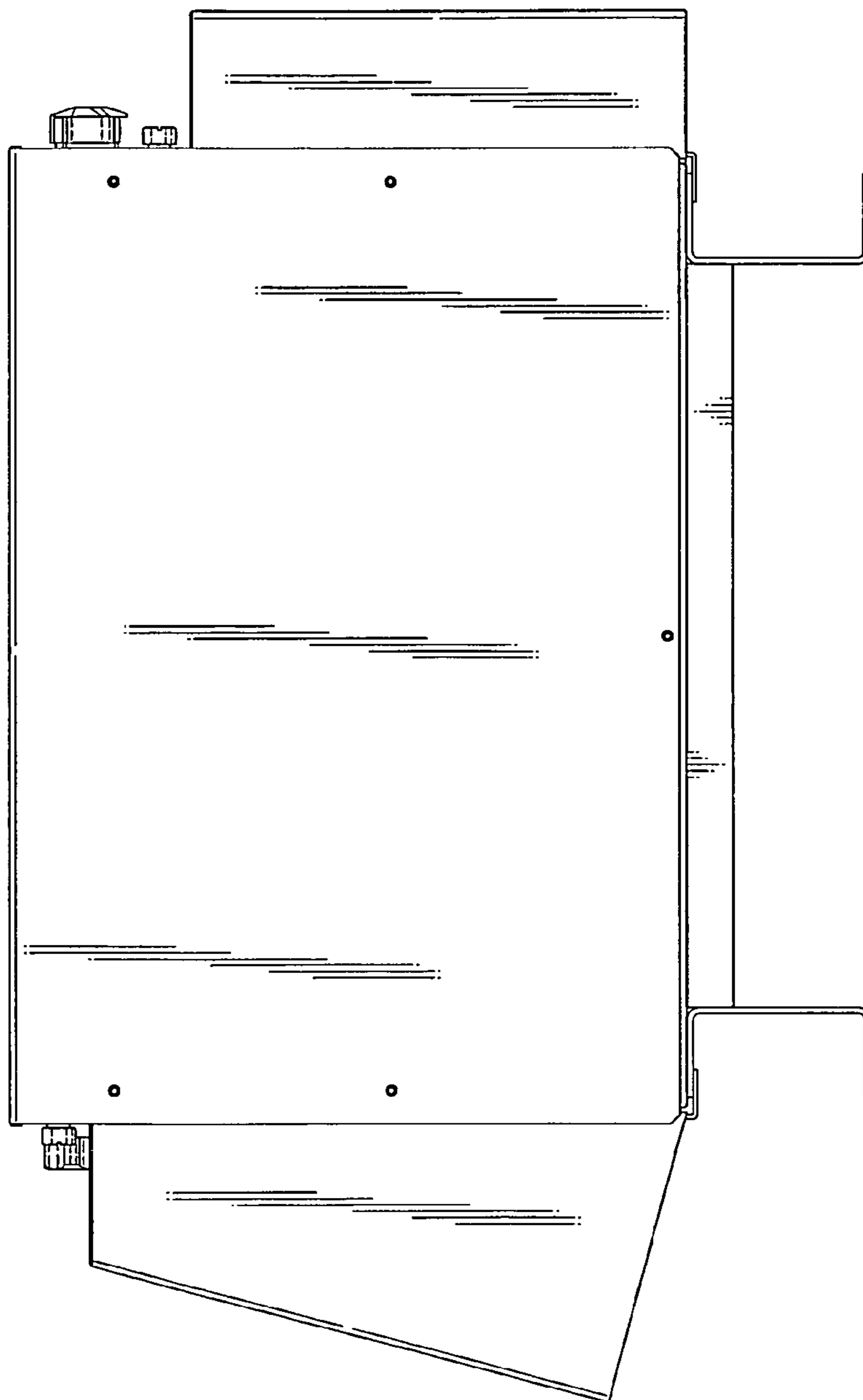


Fig. 5

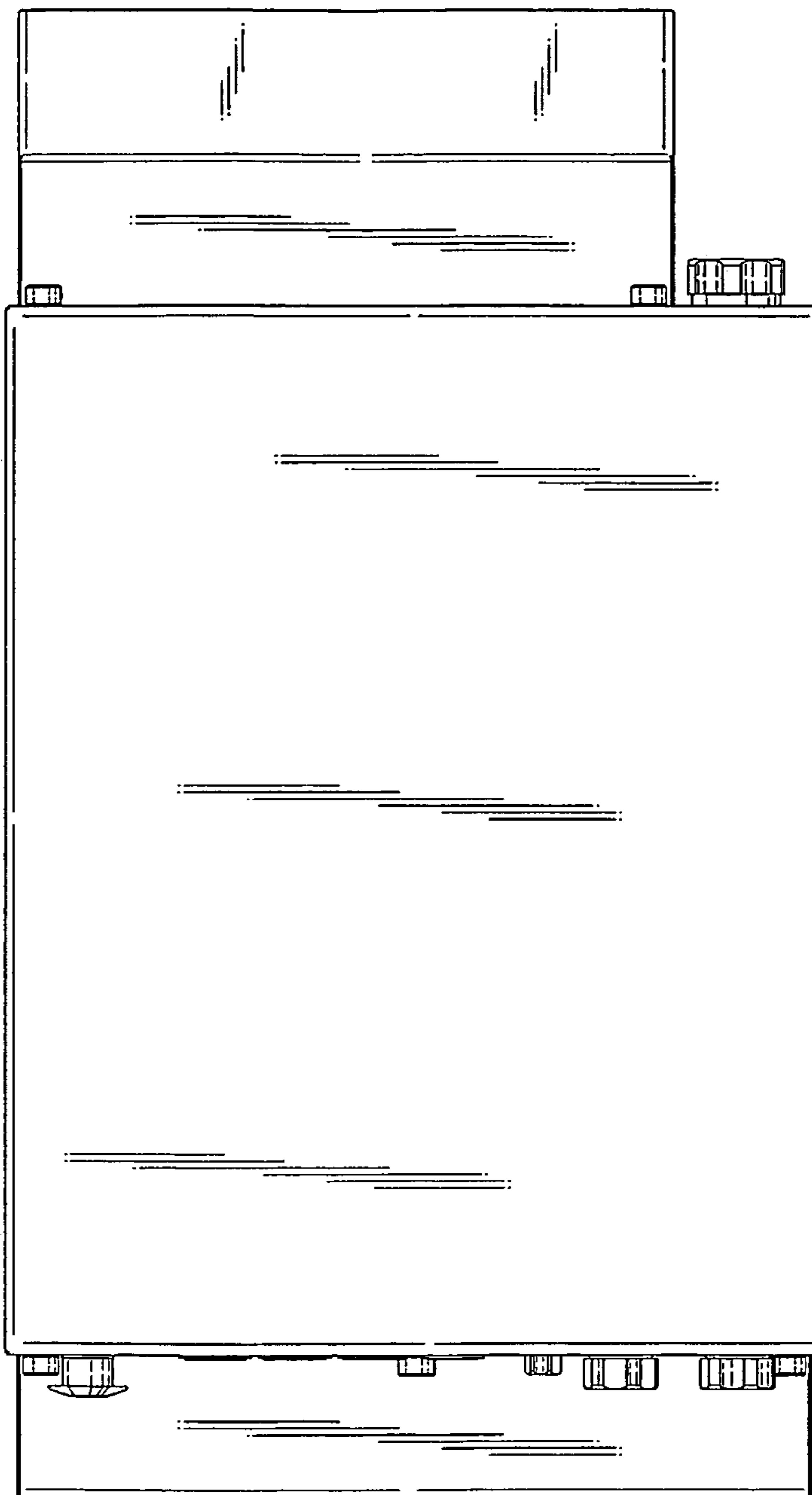


Fig. 6

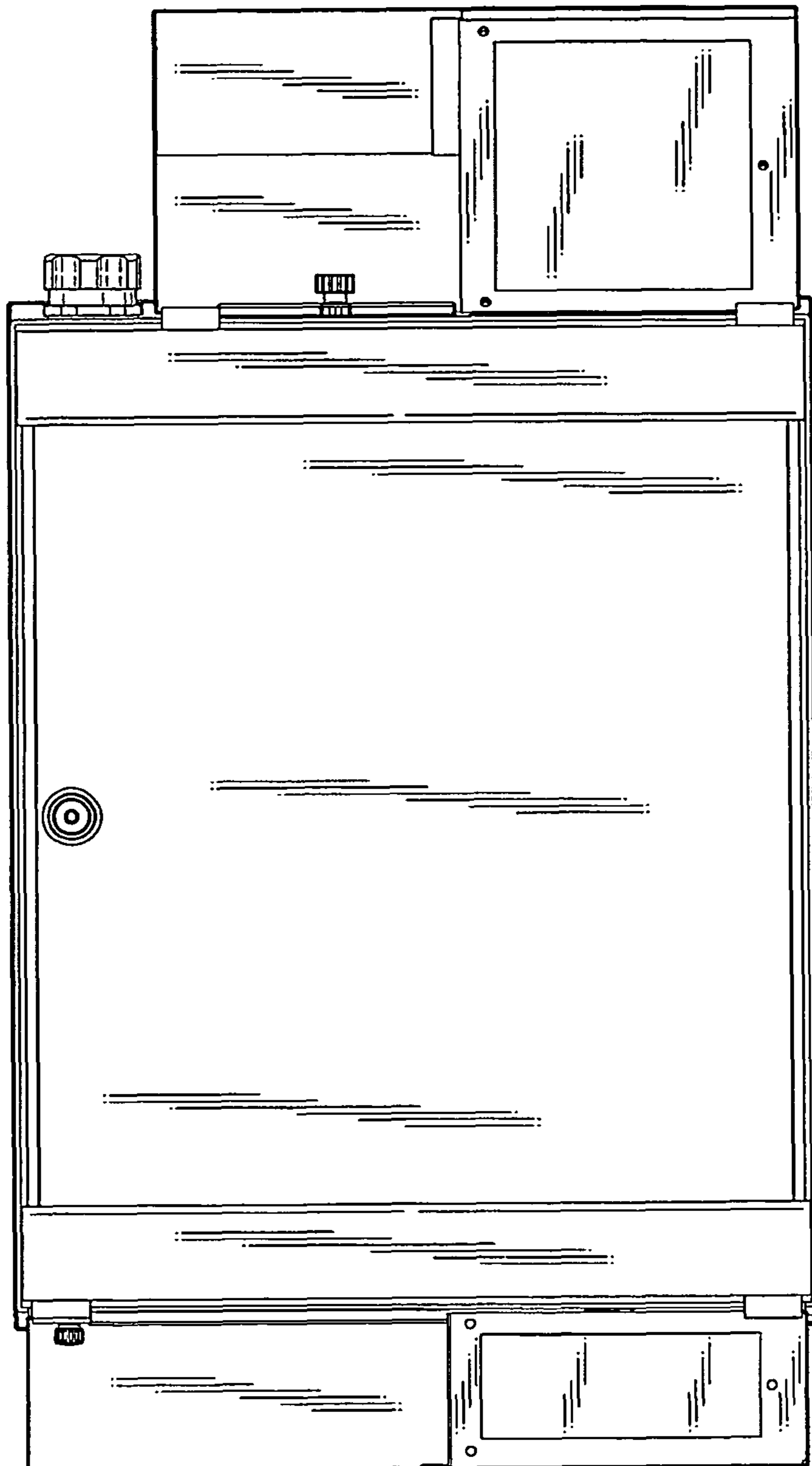


Fig. 8

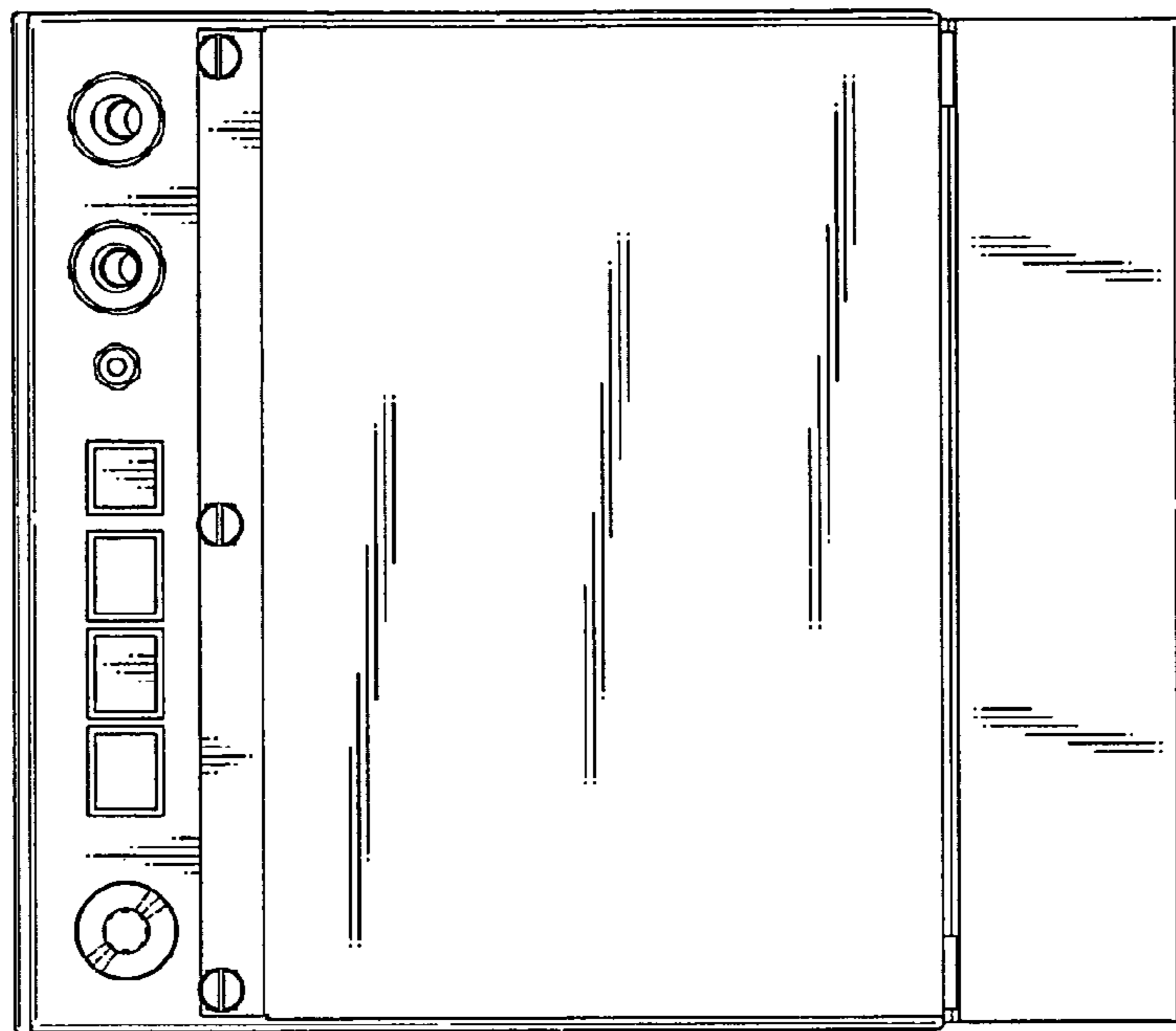


Fig. 7

