



US00D719089S

(12) **United States Design Patent**
Moribe et al.

(10) **Patent No.:** **US D719,089 S**

(45) **Date of Patent:** **** Dec. 9, 2014**

(54) **ELECTRIC VEHICLE CHARGER**

(71) Applicants: **Denso Wave Incorporated**, Aichi-pref. (JP); **DENSO CORPORATION**, Aichi-pref. (JP)

(72) Inventors: **Nobuo Moribe**, Obu (JP); **Yuji Tsuchiya**, Nagoya (JP); **Hironobu Ando**, Obu (JP)

(73) Assignees: **Denso Wave Incorporation**, Tokyo (JP); **DENSO CORPORATION**, Kariya (JP)

(**) Term: **14 Years**

(21) Appl. No.: **29/446,664**

(22) Filed: **Feb. 26, 2013**

(30) **Foreign Application Priority Data**

Aug. 27, 2012 (JP) 2012-020529

(51) **LOC (10) Cl.** **13-02**

(52) **U.S. Cl.**
USPC **D13/107; D13/118**

(58) **Field of Classification Search**
USPC D13/106–110, 118–119, 155, 184, 199;
D15/9; 320/103–115; D8/349, 354,
D8/356, 380, 499

See application file for complete search history.

(56) **References Cited**

U.S. PATENT DOCUMENTS

D207,795 S * 5/1967 Rosati D8/356
D207,870 S * 6/1967 Laurini D8/356
D246,148 S * 10/1977 Kusek D6/301
D265,198 S * 6/1982 Matsuda D14/197

D269,851 S * 7/1983 Kimura D8/356
D277,063 S * 1/1985 Hauser D6/303
D311,487 S * 10/1990 Platt D8/396
D356,024 S * 3/1995 Whitley et al. D8/356
D376,309 S * 12/1996 Takai D8/380
D377,142 S * 1/1997 Yang D8/356
D378,408 S * 3/1997 Pyeatt et al. D24/128

(Continued)

Primary Examiner — Rosemary K Tarcza

(74) *Attorney, Agent, or Firm* — Posz Law Group, PLC

(57) **CLAIM**

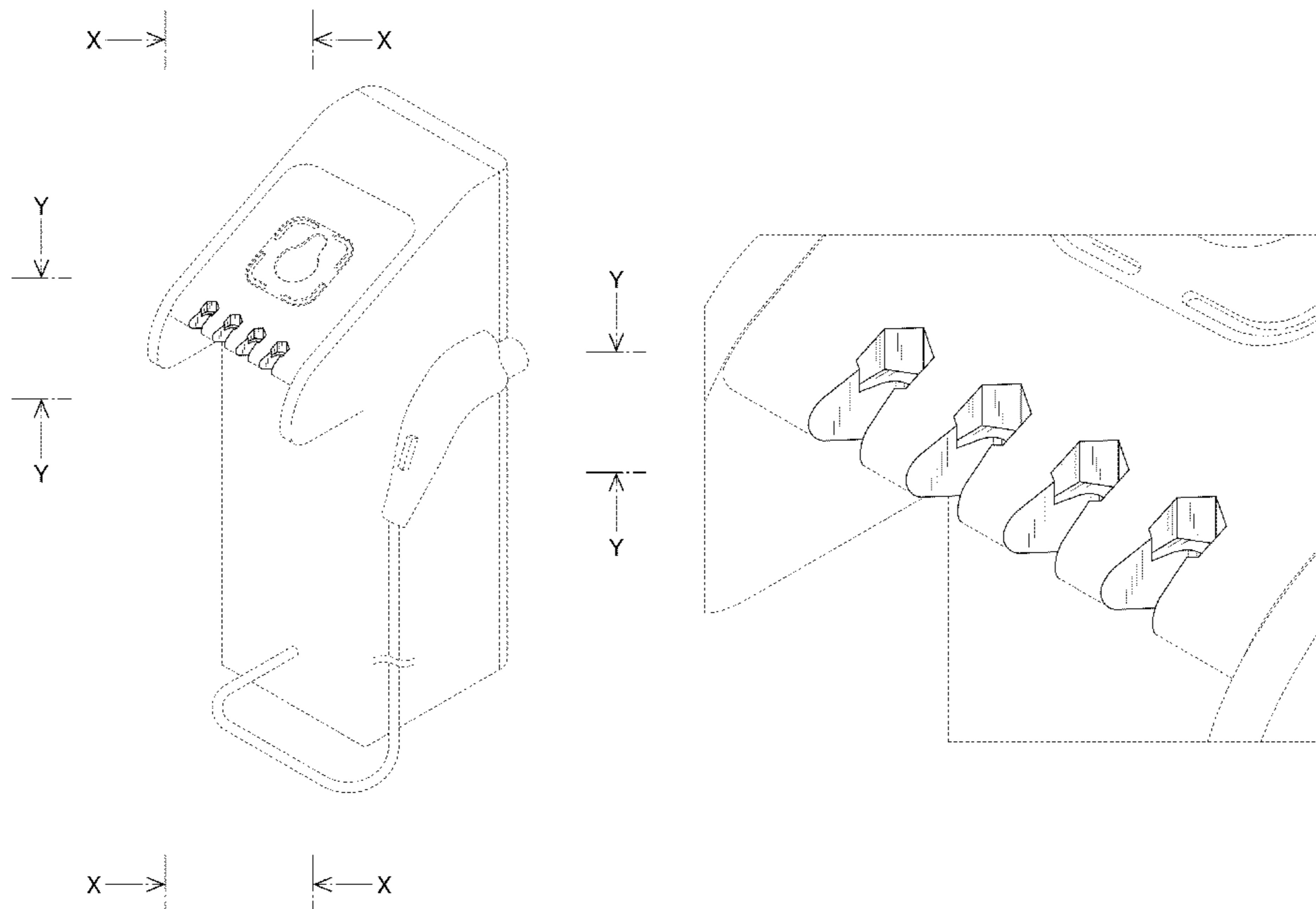
The ornamental design for an electric vehicle charger, as shown and described.

DESCRIPTION

FIG. 1 is a perspective view of an electric vehicle charger; FIG. 2 is a front view of the electric vehicle charger; FIG. 3 is a rear view of the electric vehicle charger; FIG. 4 is a right side view of the electric vehicle charger; FIG. 5 is a left side view of the electric vehicle charger; FIG. 6 is a top view of the electric vehicle charger; FIG. 7 is a bottom view of the electric vehicle charger; FIG. 8 is an enlarged front view defined by the ranges A-A and B-B of FIG. 2; FIG. 9 is an enlarged cross-sectional view defined by the ranges D-D and E-E of FIG. 6, and range M-M of FIG. 4, and taken along line C-C of FIG. 8; FIG. 10 is an enlarged top view defined by the ranges D-D and E-E of FIG. 6; and, FIG. 11 is an enlarged perspective view defined by the ranges X-X and Y-Y of FIG. 1.

The broken line showing of a body, a connector and an electric cable is for the purpose of illustrating unclaimed portions of the electric vehicle charger and forms no part of the claimed design.

1 Claim, 11 Drawing Sheets



(56)

References Cited

U.S. PATENT DOCUMENTS

D390,066 S *	2/1998	Watkins et al.	D7/633	D587,102 S *	2/2009	Morgan	D8/356
D395,815 S *	7/1998	Walters et al.	D8/354	D589,782 S *	4/2009	Rowell et al.	D8/356
D398,313 S *	9/1998	Allen	D15/143	D597,403 S *	8/2009	Ho et al.	D8/396
D427,048 S *	6/2000	Potter et al.	D8/356	D598,275 S *	8/2009	Rowell et al.	D8/356
D448,650 S *	10/2001	Vrame	D8/356	D601,498 S *	10/2009	Aglassinger	D13/107
D453,103 S *	1/2002	Tell	D8/356	D608,621 S *	1/2010	Yu Chen	D8/356
D468,996 S *	1/2003	Sarkinen et al.	D8/356	D635,447 S *	4/2011	Henry	D8/356
D488,054 S *	4/2004	Myers	D8/356	D638,690 S *	5/2011	Hoek	D8/356
D532,744 S *	11/2006	Aglassinger	D13/108	D638,691 S *	5/2011	Hoek	D8/356
D547,265 S *	7/2007	Aglassinger	D13/108	D639,145 S *	6/2011	Hoek	D8/356
D552,543 S *	10/2007	Su	D13/122	D639,146 S *	6/2011	Hoek	D8/356
D568,723 S *	5/2008	Morgan	D8/356	D640,527 S *	6/2011	Hoek	D8/356
D571,190 S *	6/2008	Spadotto	D8/356	D644,501 S *	9/2011	Chen	D8/356
D572,660 S *	7/2008	Enomoto et al.	D13/122	D663,274 S *	7/2012	Gretz	D13/155
D576,867 S *	9/2008	Kretz	D8/356	D691,873 S *	10/2013	Ganski	D8/356
D582,342 S *	12/2008	Chen et al.	D13/118	D691,874 S *	10/2013	Ganski	D8/356
D586,747 S *	2/2009	Yoshikawa et al.	D13/122	D691,875 S *	10/2013	Ganski	D8/356
D587,101 S *	2/2009	Morgan	D8/356	D691,876 S *	10/2013	Ganski	D8/356
				D691,878 S *	10/2013	Ganski	D8/356
				D698,309 S *	1/2014	Moribe et al.	D13/107

* cited by examiner

FIG. 1

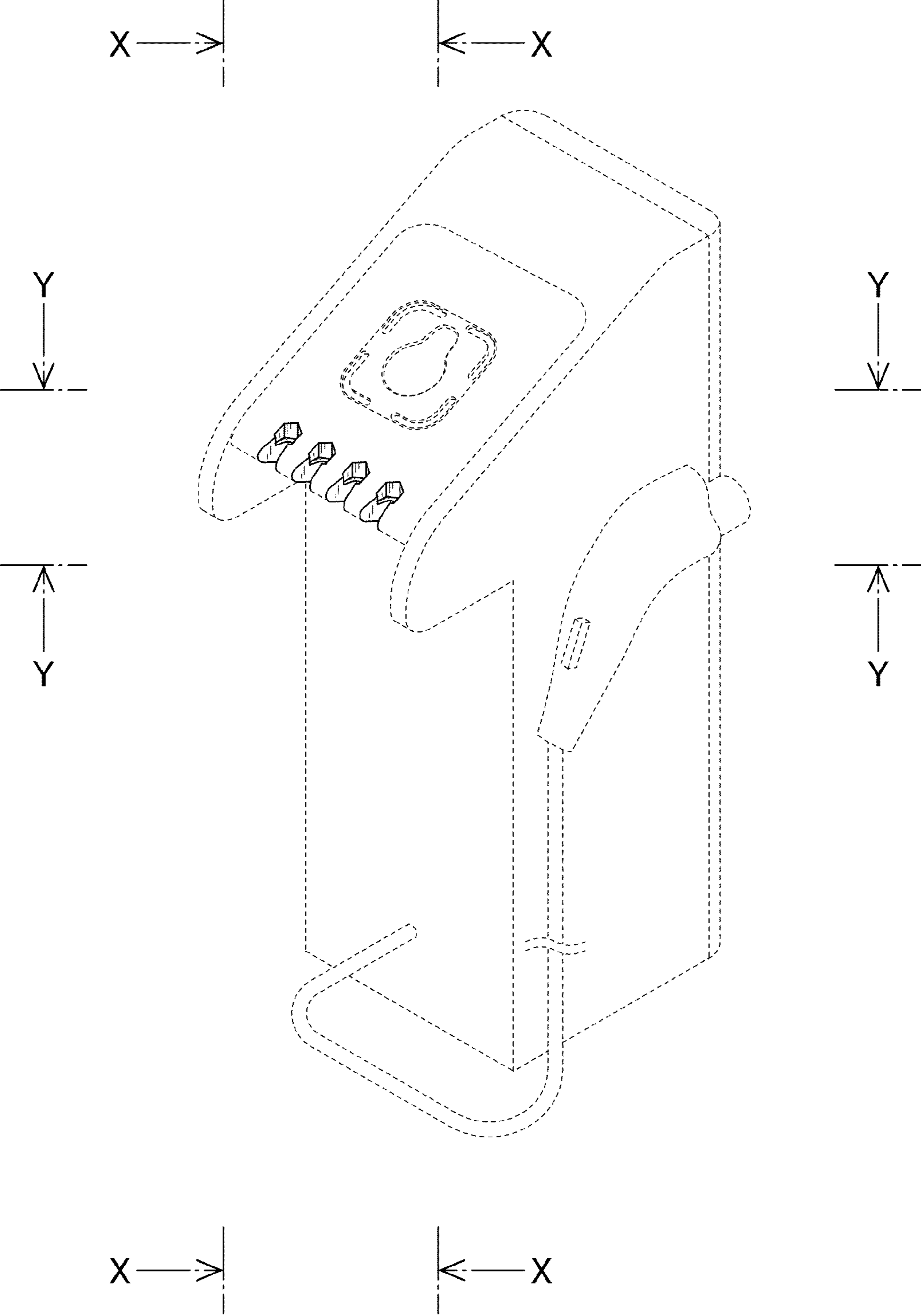


FIG. 2

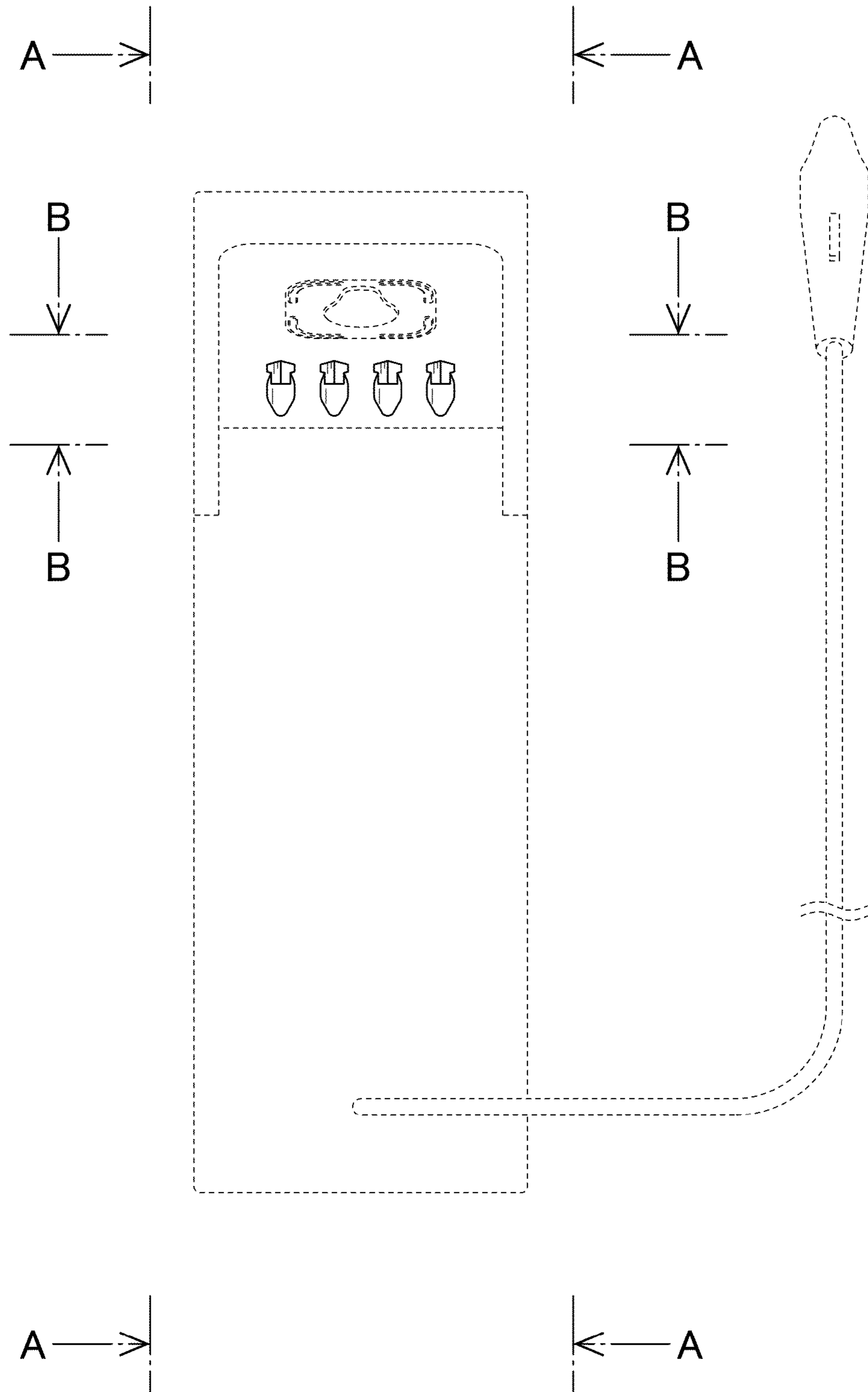


FIG. 3

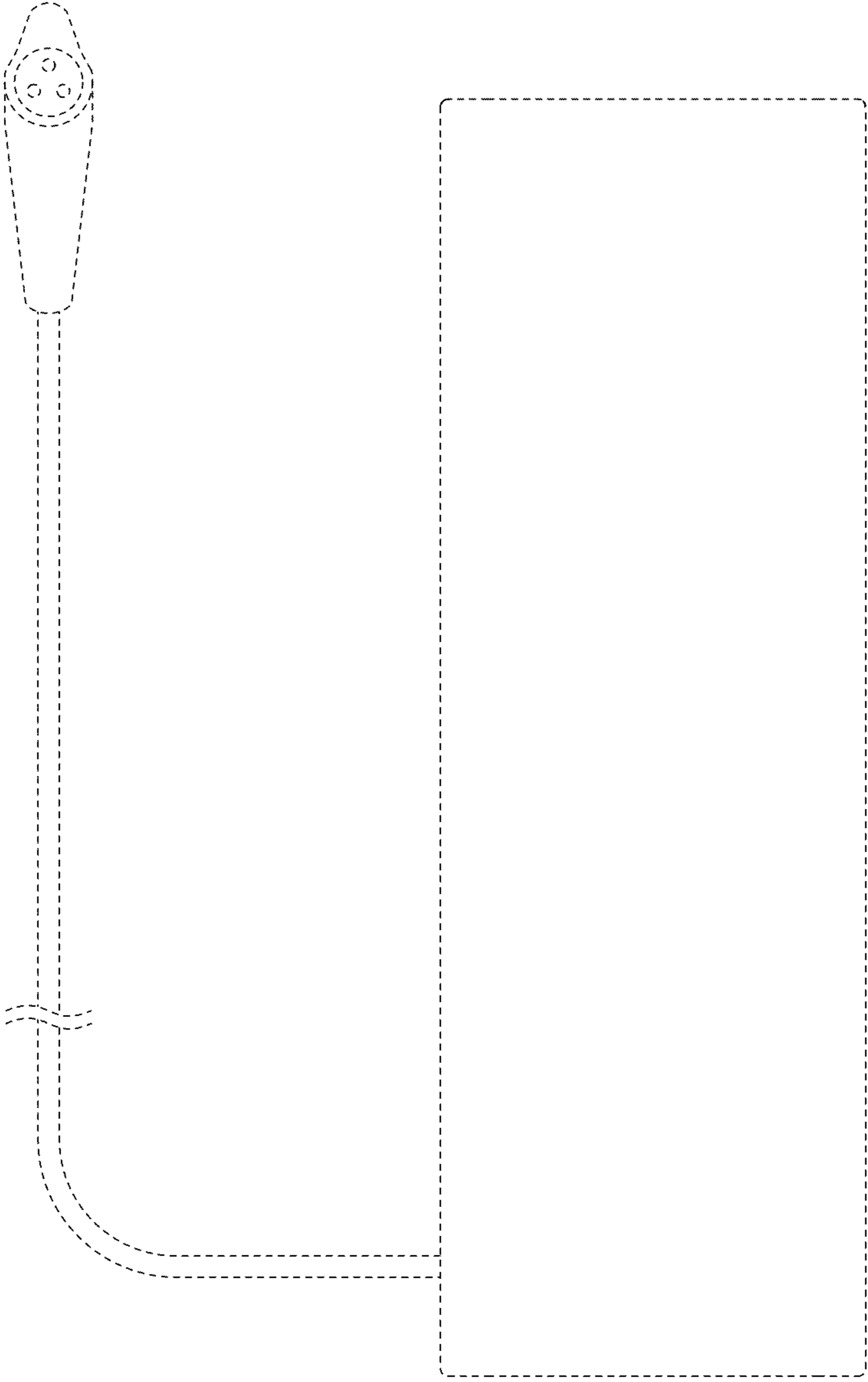


FIG. 4

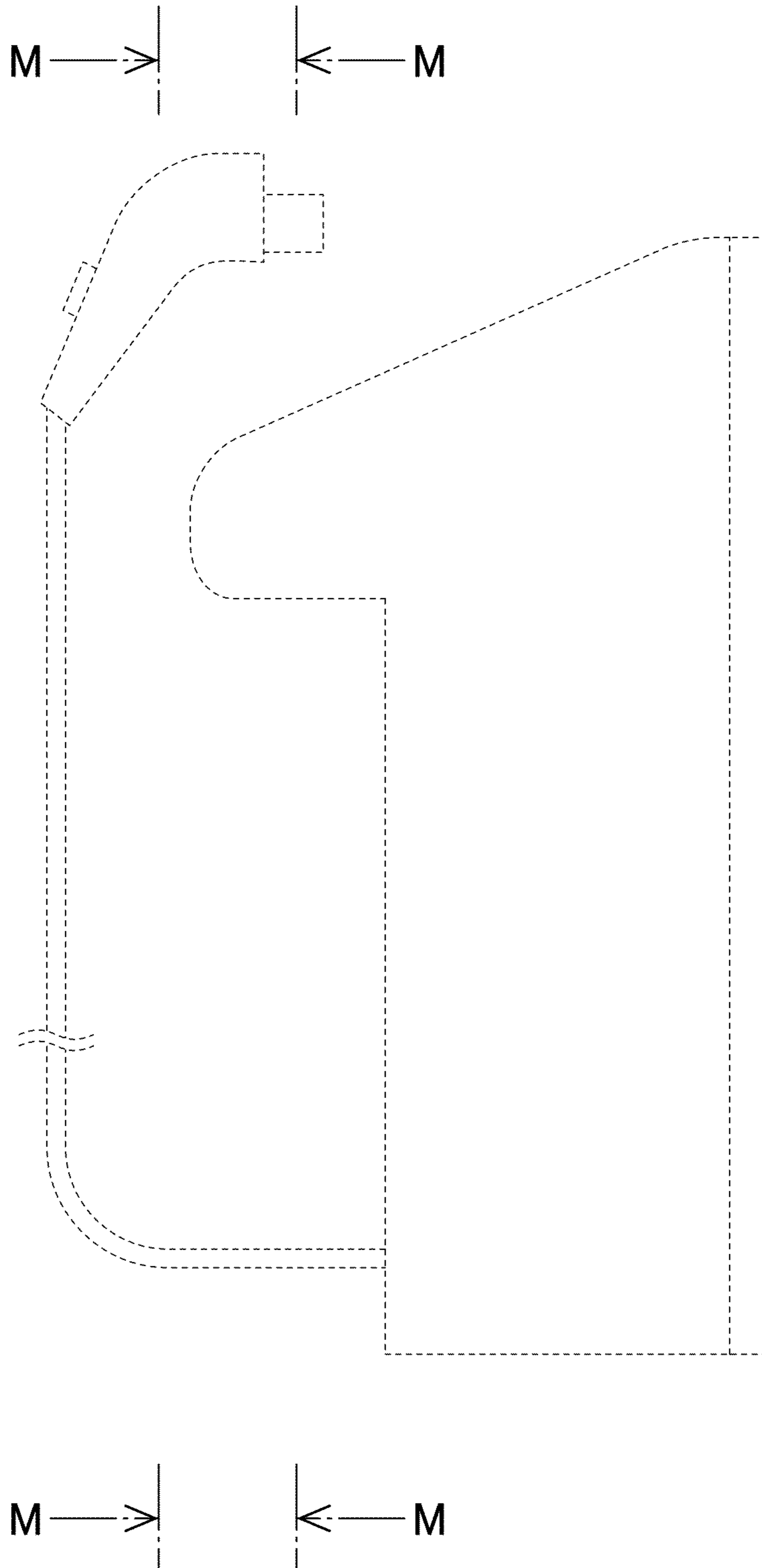


FIG. 5

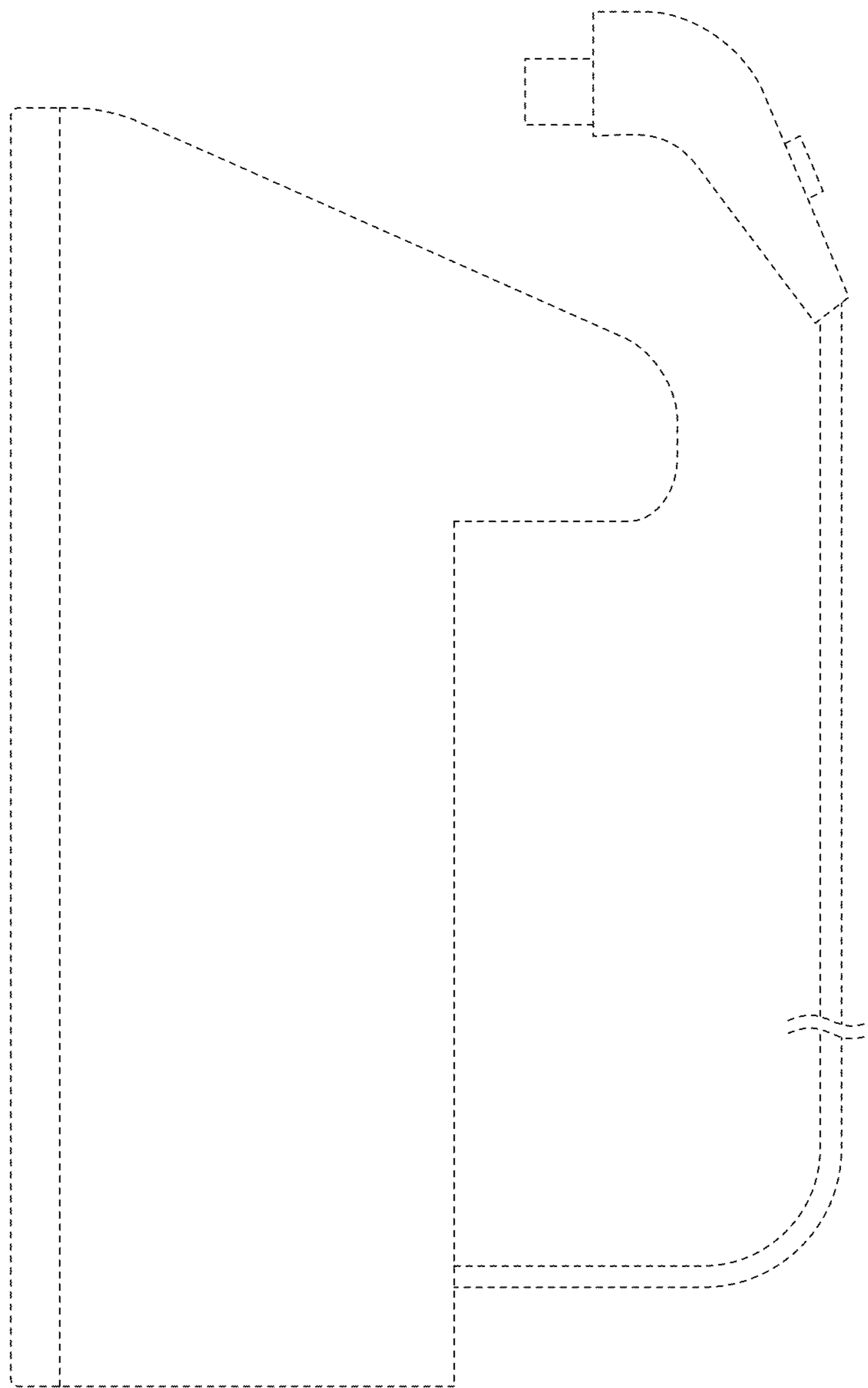


FIG. 6

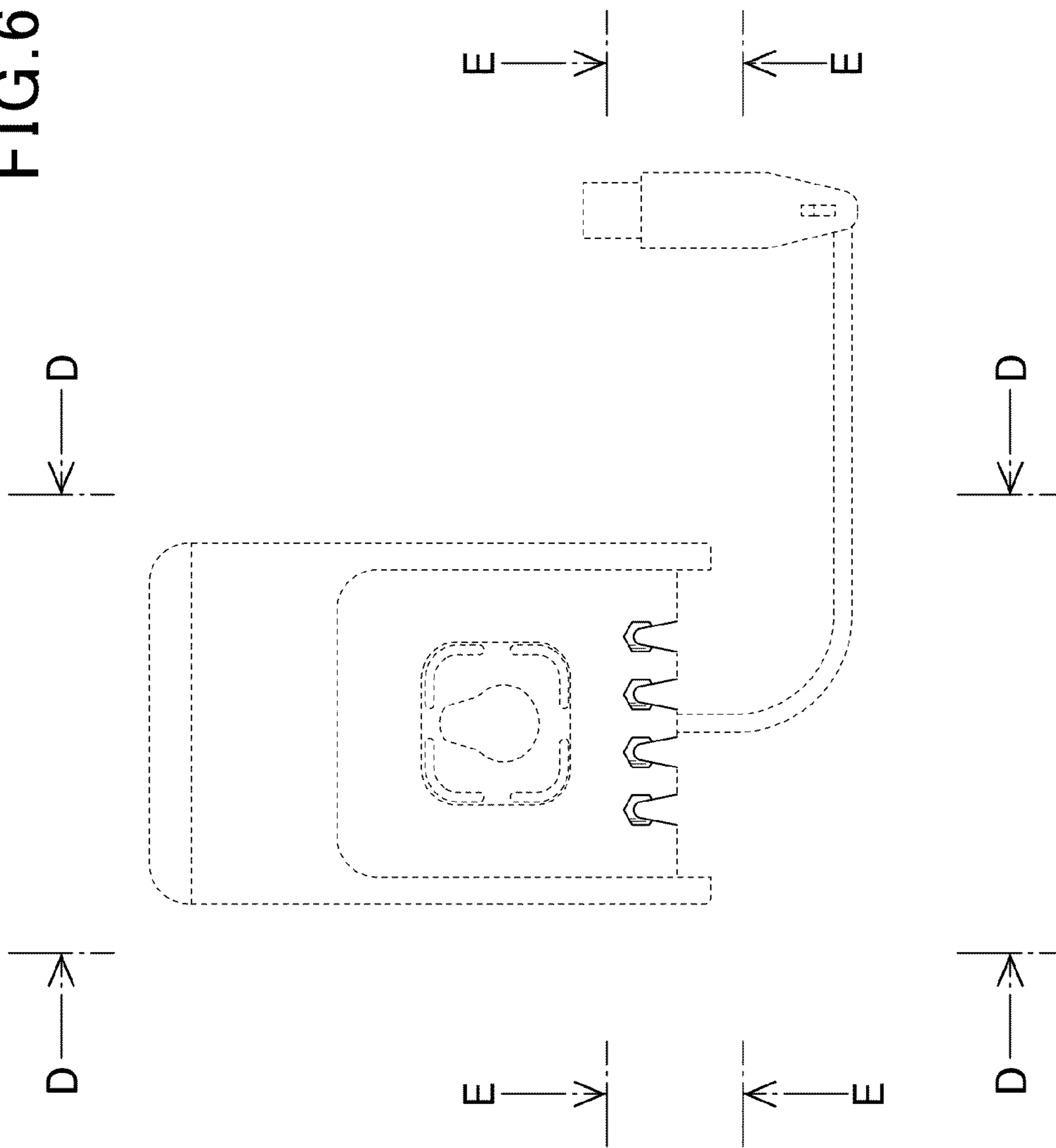


FIG. 7

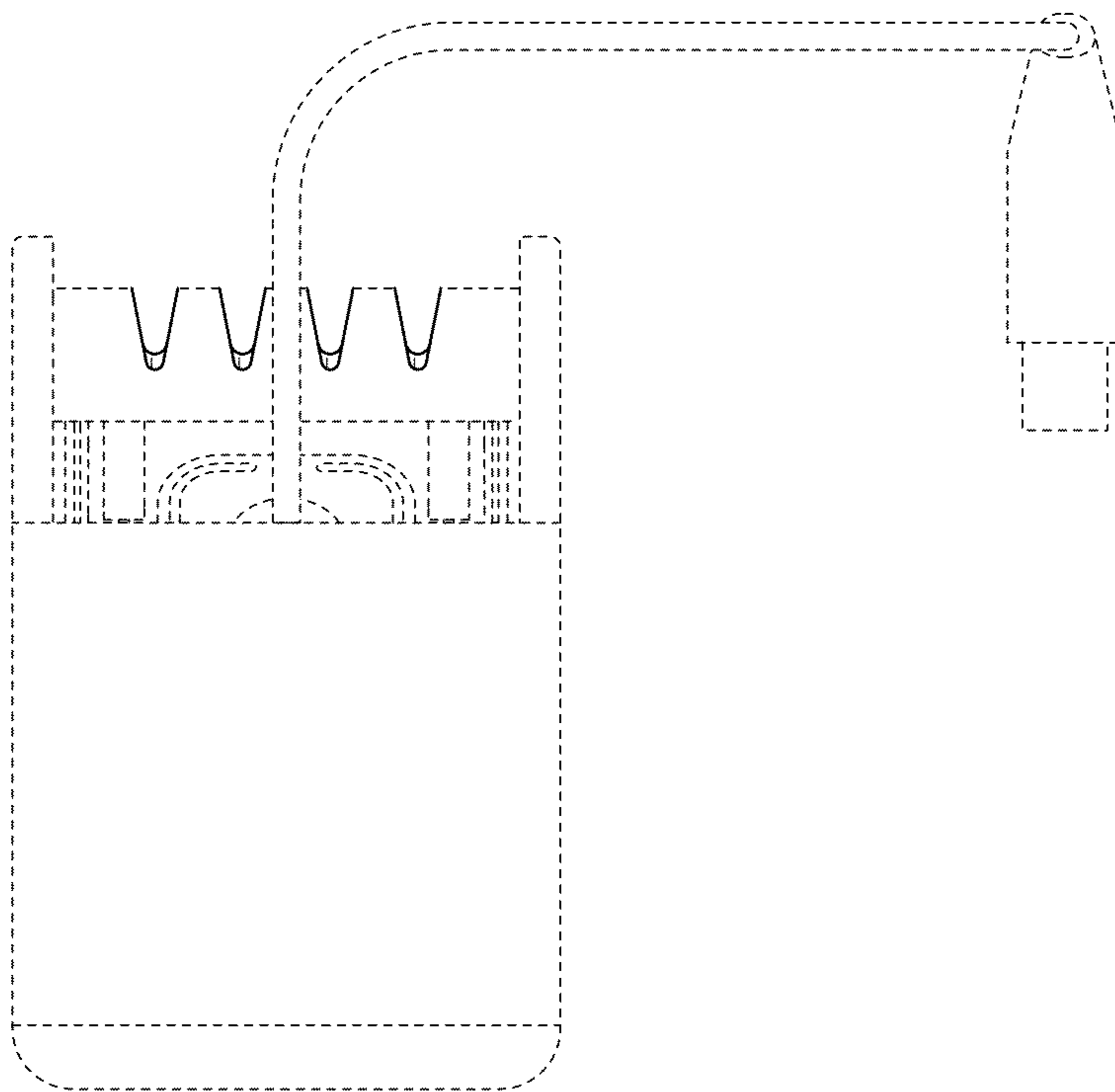


FIG. 8

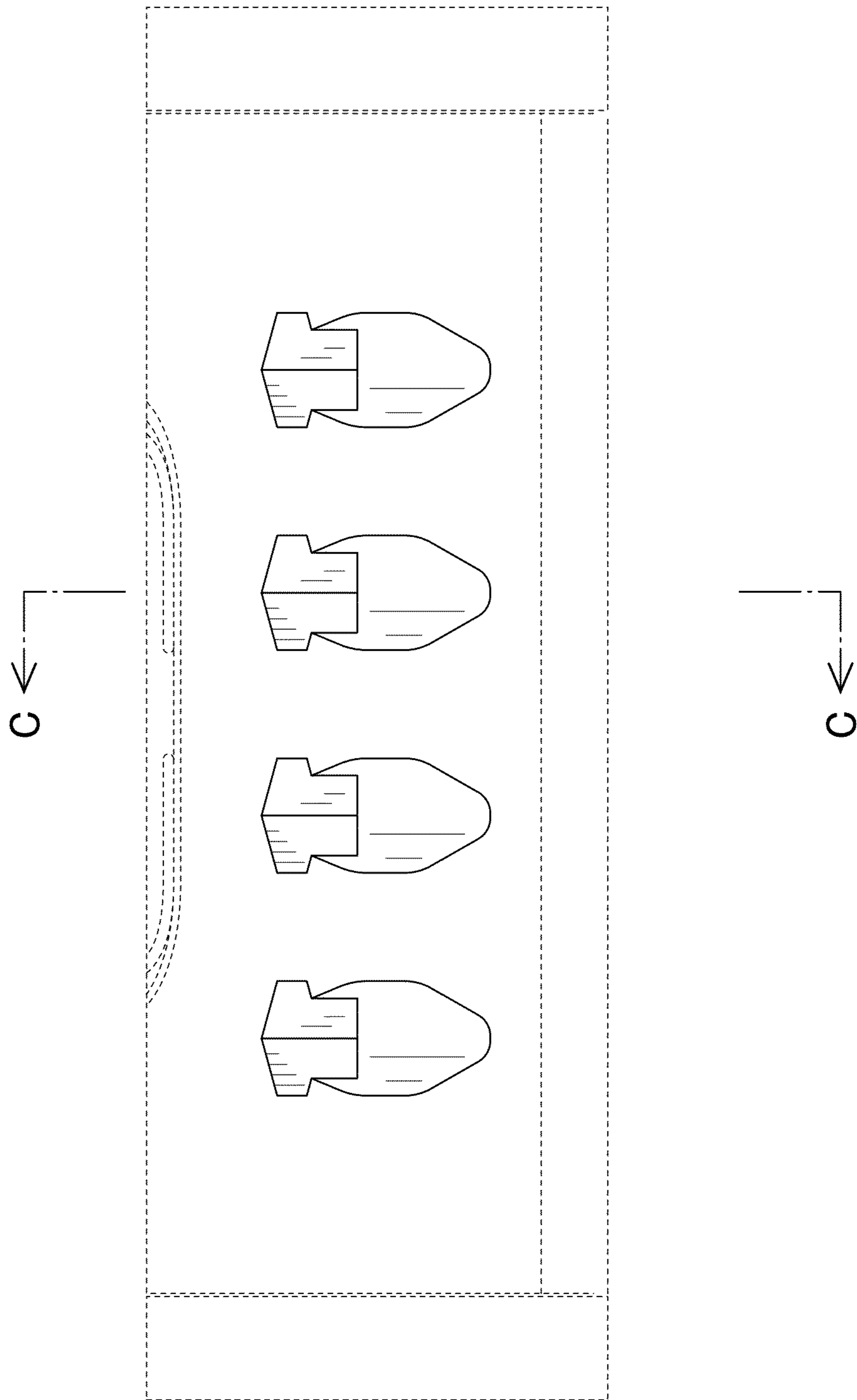


FIG. 9

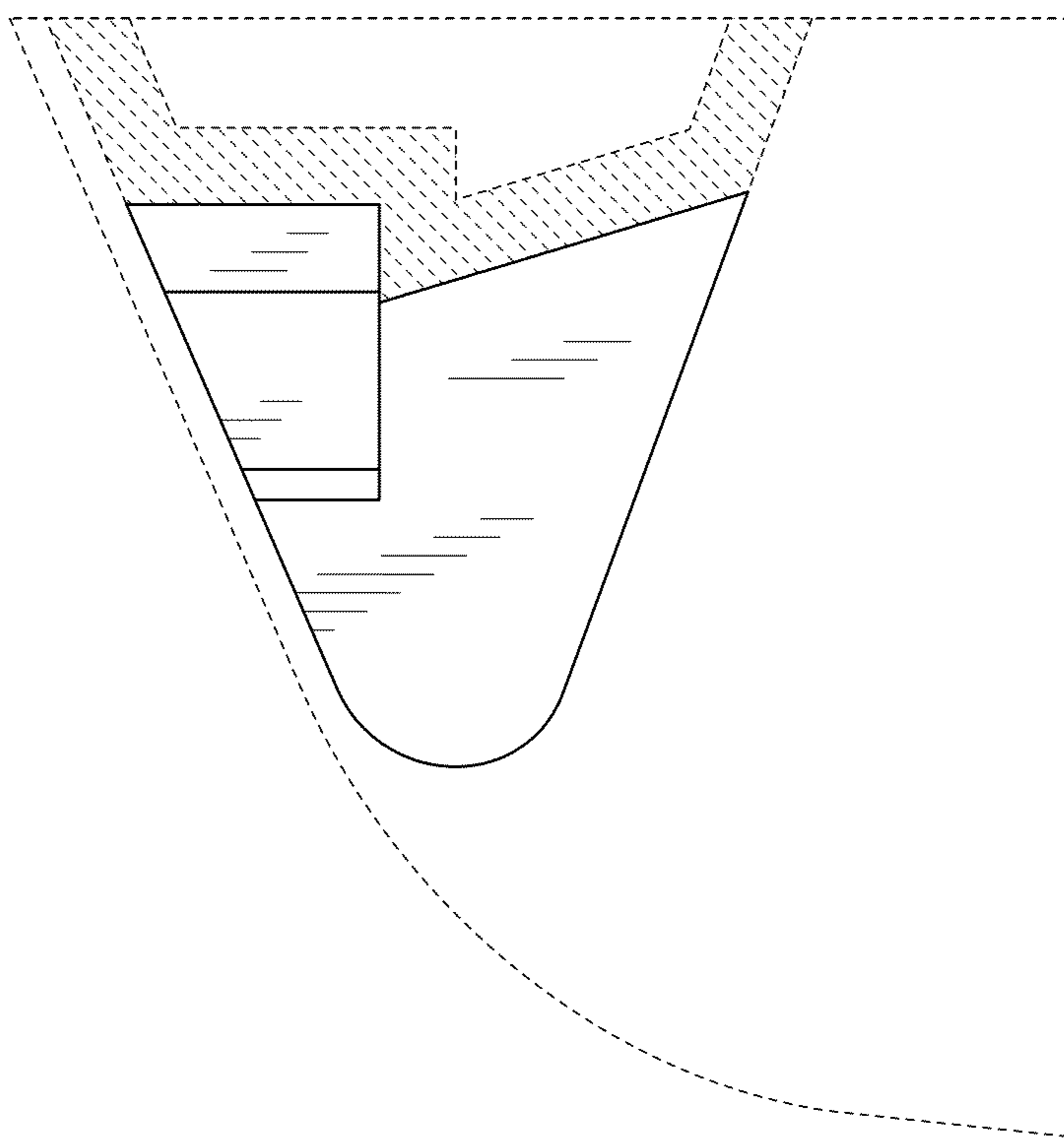


FIG. 10

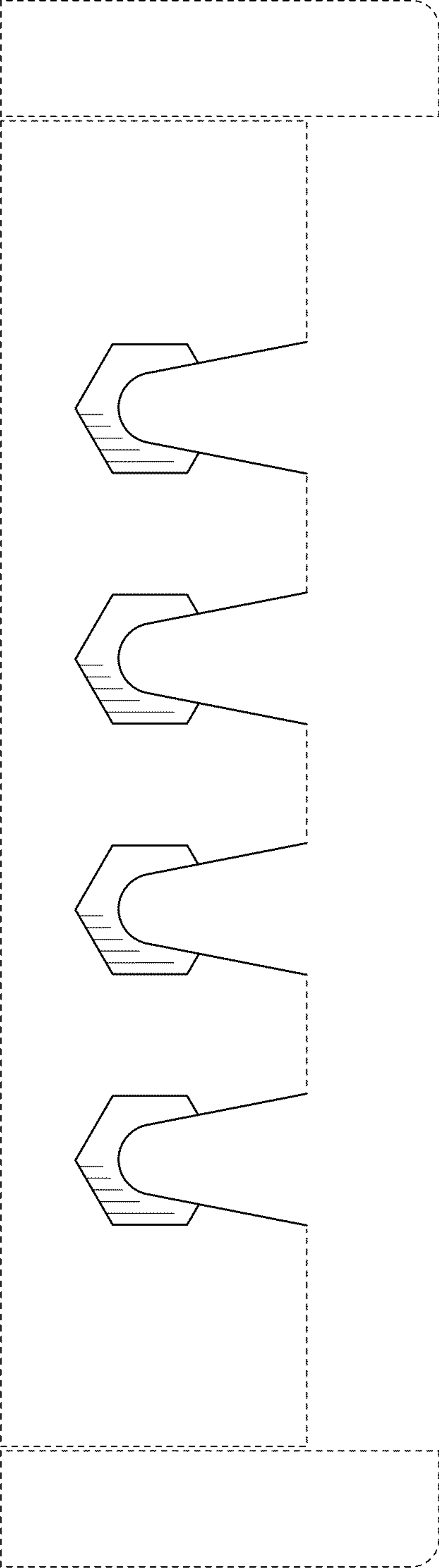
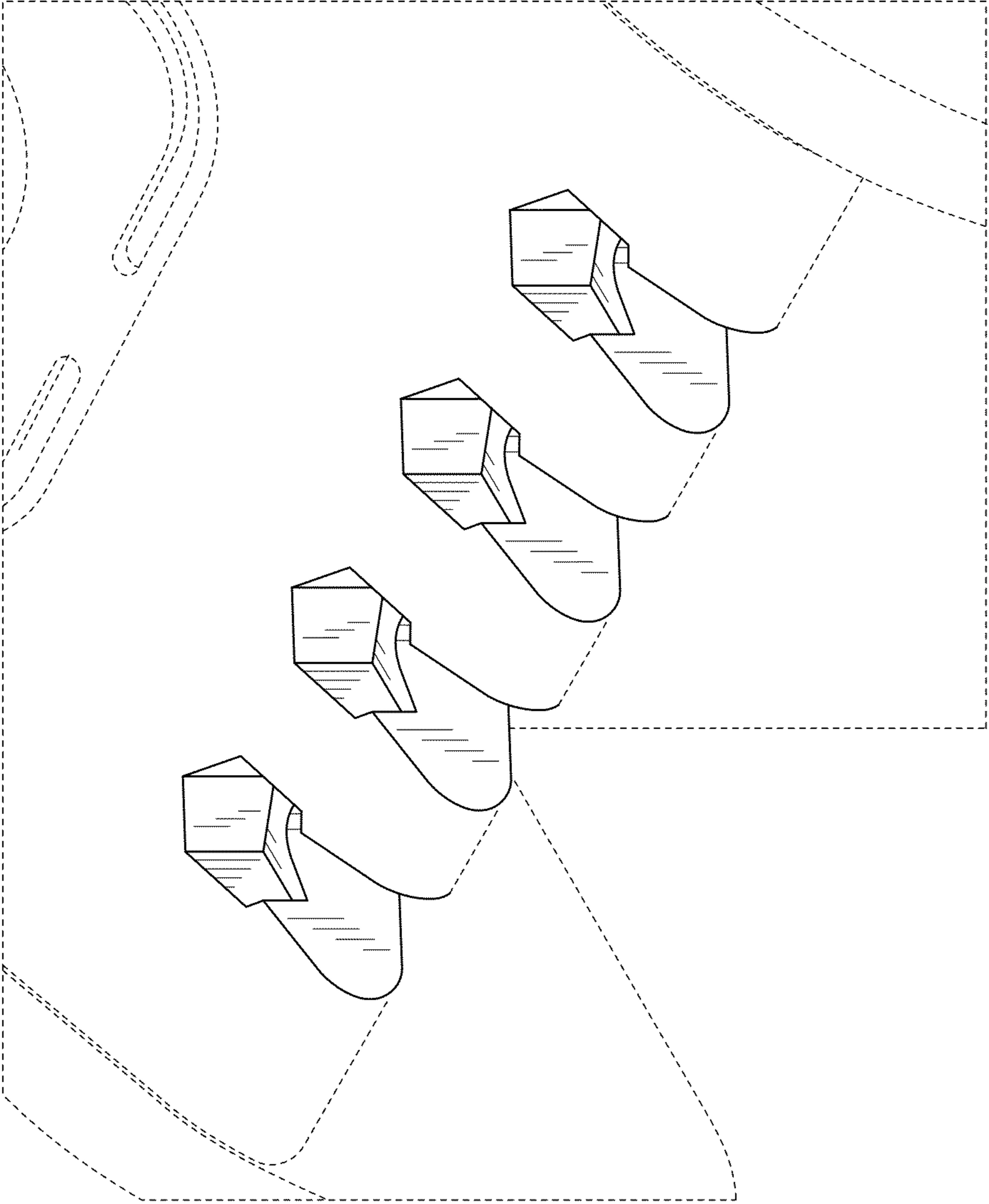


FIG.11



UNITED STATES PATENT AND TRADEMARK OFFICE
CERTIFICATE OF CORRECTION

PATENT NO. : D719,089 S
APPLICATION NO. : 29/446664
DATED : December 9, 2014
INVENTOR(S) : Moribe et al.

Page 1 of 1

It is certified that error appears in the above-identified patent and that said Letters Patent is hereby corrected as shown below:

Title page, item 73

Assignees: should read

-- DENSO WAVE INCORPORATED, Aichi-pref., Japan and
DENSO CORPORATION, Kariya-city, Japan --

Signed and Sealed this
Fifth Day of May, 2015



Michelle K. Lee
Director of the United States Patent and Trademark Office

UNITED STATES PATENT AND TRADEMARK OFFICE
CERTIFICATE OF CORRECTION

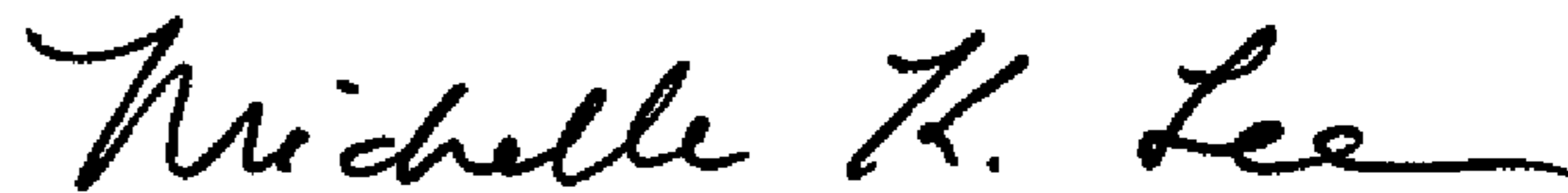
PATENT NO. : D719,089 S
APPLICATION NO. : 29/446664
DATED : December 9, 2014
INVENTOR(S) : Moribe et al.

Page 1 of 1

It is certified that error appears in the above-identified patent and that said Letters Patent is hereby corrected as shown below:

This certificate supersedes the Certificate of Correction issued May 5, 2015. The certificate is vacated since petition to correct assignee under 3.81 (b) was not acted on by the Office of Petitions. The Certificate of Correction was published in error and should not have issued.

Signed and Sealed this
Seventh Day of July, 2015



Michelle K. Lee
Director of the United States Patent and Trademark Office

UNITED STATES PATENT AND TRADEMARK OFFICE
CERTIFICATE OF CORRECTION

PATENT NO. : D719,089 S
APPLICATION NO. : 29/446664
DATED : December 9, 2014
INVENTOR(S) : Moribe et al.

Page 1 of 1

It is certified that error appears in the above-identified patent and that said Letters Patent is hereby corrected as shown below:

On the Title Page

Item (73) Assignees: should read:

-- DENSO WAVE INCORPORATED, Aichi-pref., Japan and
DENSO CORPORATION, Kariya-city, Japan --

Signed and Sealed this
Twenty-sixth Day of December, 2017



Joseph Matal

*Performing the Functions and Duties of the
Under Secretary of Commerce for Intellectual Property and
Director of the United States Patent and Trademark Office*