



US00D719088S

(12) **United States Design Patent**
Koebler

(10) **Patent No.:** **US D719,088 S**

(45) **Date of Patent:** **** Dec. 9, 2014**

(54) **12-POST STARTER BATTERY**
(71) Applicant: **Martin Koebler**, Davidson, NC (US)
(72) Inventor: **Martin Koebler**, Davidson, NC (US)
(**) Term: **14 Years**
(21) Appl. No.: **29/469,328**

7,820,318	B2	*	10/2010	Schuman et al.	429/96
D633,863	S	*	3/2011	Qualls et al.	D13/106
D633,864	S	*	3/2011	Qualls et al.	D13/106
D635,508	S	*	4/2011	Seyama et al.	D13/104
D635,509	S	*	4/2011	Mack et al.	D13/104
D640,191	S	*	6/2011	Like et al.	D13/104
D643,810	S	*	8/2011	Qualls et al.	D13/106
D660,226	S	*	5/2012	Elison et al.	D13/104
D687,372	S	*	8/2013	Tang	D13/104
D692,373	S	*	10/2013	Touhy et al.	D13/103

* cited by examiner

(22) Filed: **Oct. 9, 2013**
(51) **LOC (10) Cl.** **13-02**
(52) **U.S. Cl.**
USPC **D13/104**
(58) **Field of Classification Search**
USPC D13/102-106, 110, 118-121, 184, 199;
429/96-100, 159, 163, 176, 178, 187
See application file for complete search history.

Primary Examiner — Rosemary K Tarca
(74) *Attorney, Agent, or Firm* — Ralph H. Dougherty

(57) **CLAIM**
The ornamental design for a 12-post starter battery, as shown and described.

DESCRIPTION

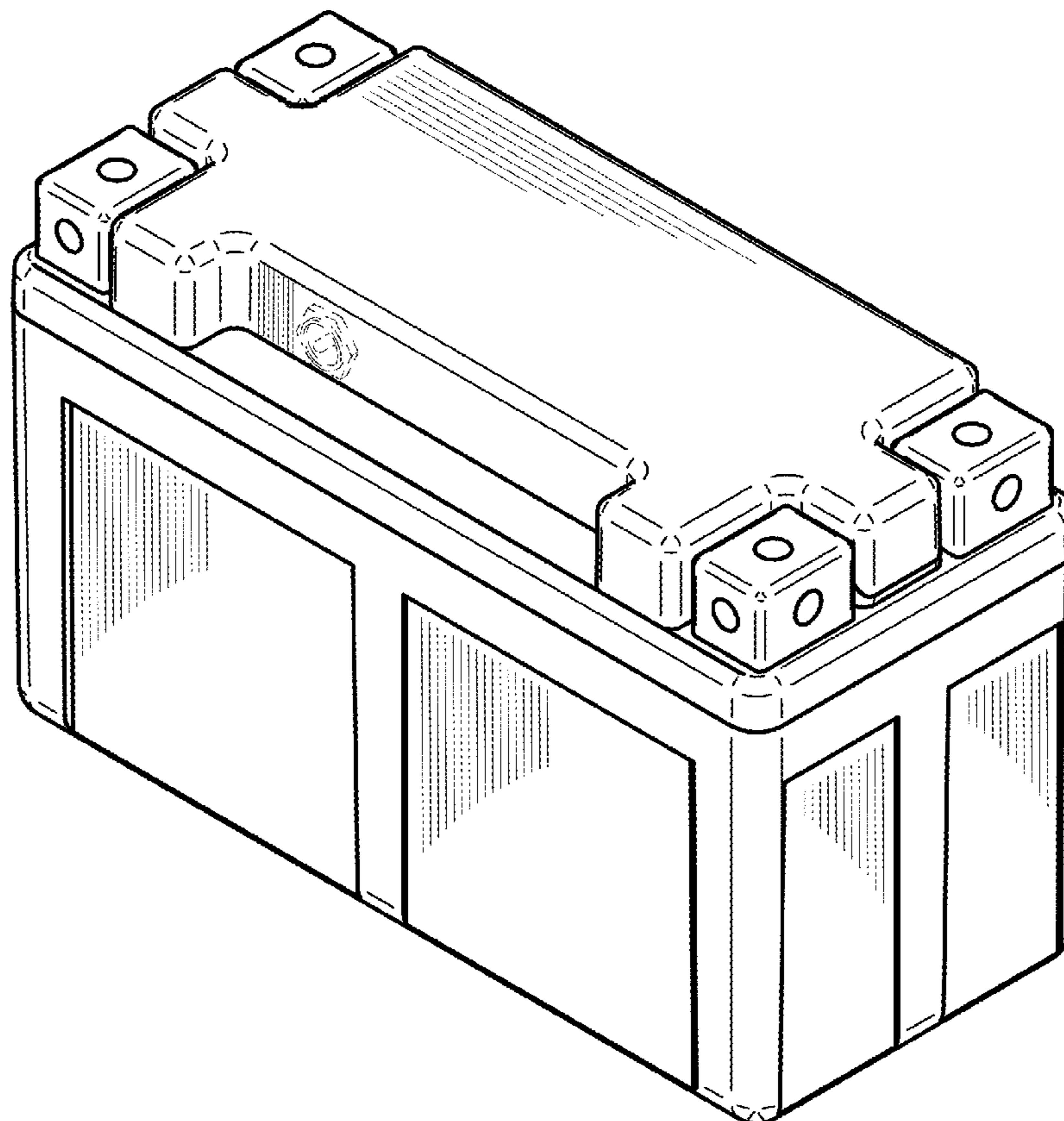
FIG. 1 is an isometric view of the invented 12-post starter battery showing the new design;
FIG. 2 is a top view thereof;
FIG. 3 is a front view thereof;
FIG. 4 is a rear view thereof.
FIG. 5 is a bottom view thereof; and,
FIG. 6 is a right end view thereof, the left end view being a mirror image thereof.

(56) **References Cited**

U.S. PATENT DOCUMENTS

D284,278	S	*	6/1986	Hennen	D13/104
D284,463	S	*	7/1986	Perkins et al.	D13/104
D458,900	S	*	6/2002	Carter et al.	D13/106
D491,138	S	*	6/2004	Minato	D13/104
D553,565	S	*	10/2007	Kawakita et al.	D13/119
D623,127	S	*	9/2010	Seyama et al.	D13/104
D625,254	S	*	10/2010	Mack et al.	D13/104

1 Claim, 4 Drawing Sheets



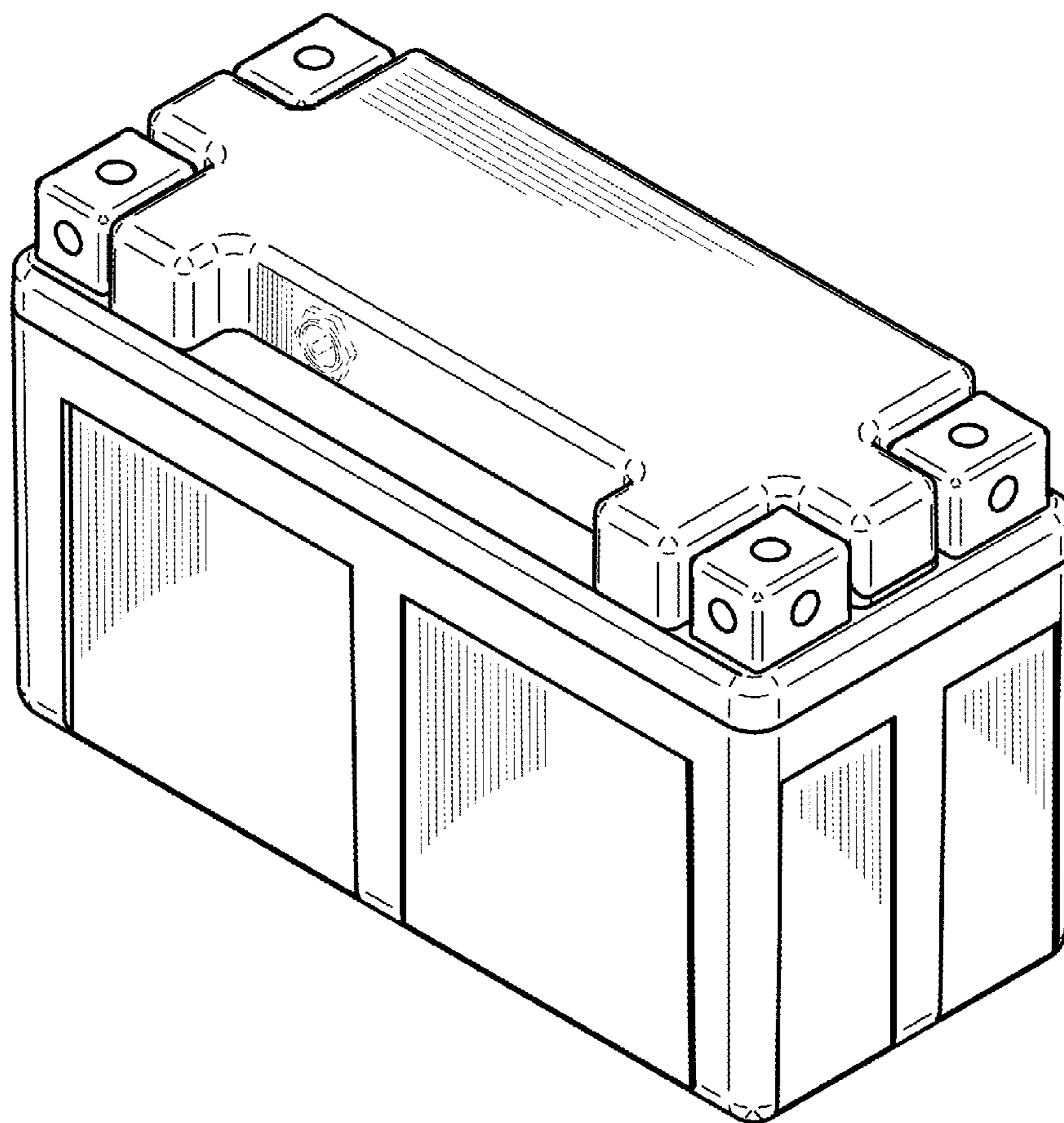


Fig. 1

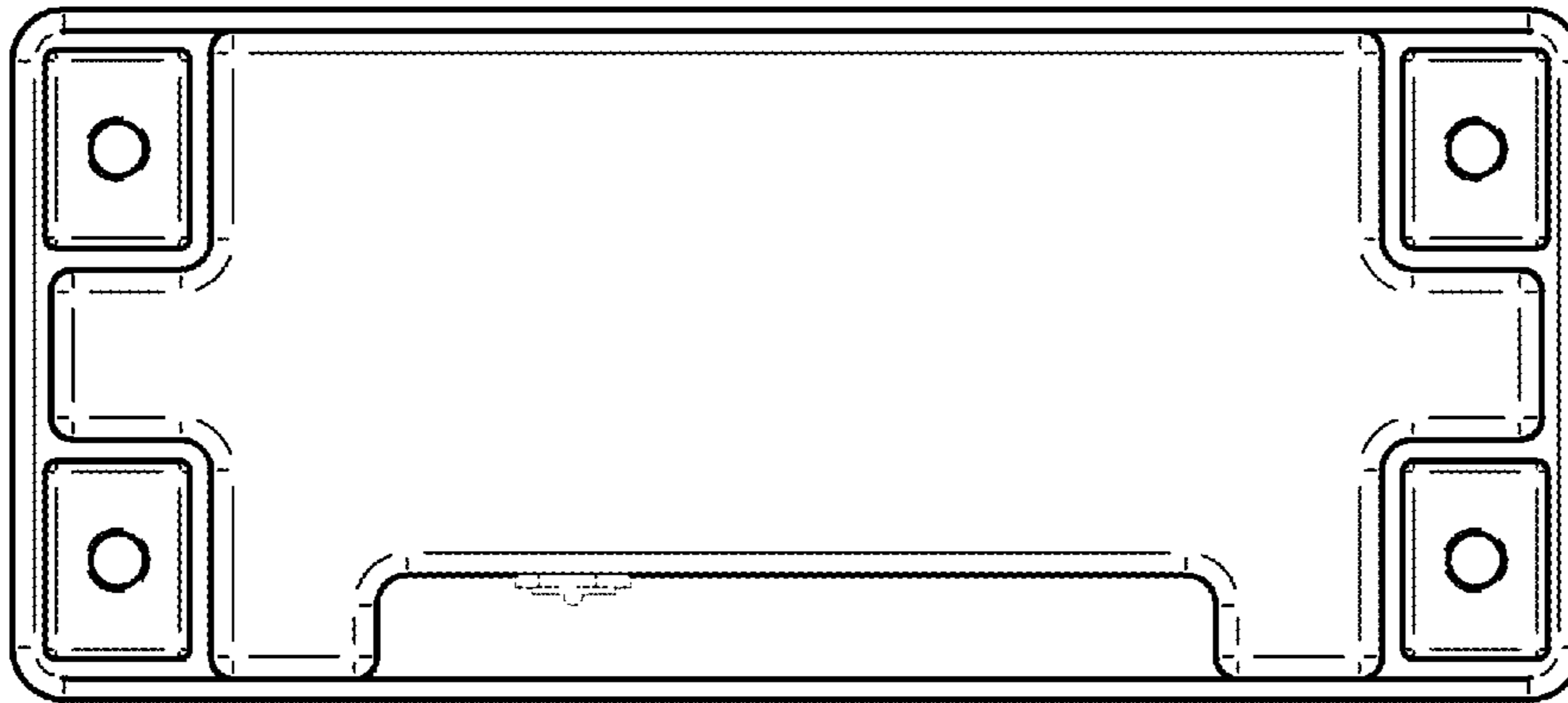


Fig. 2

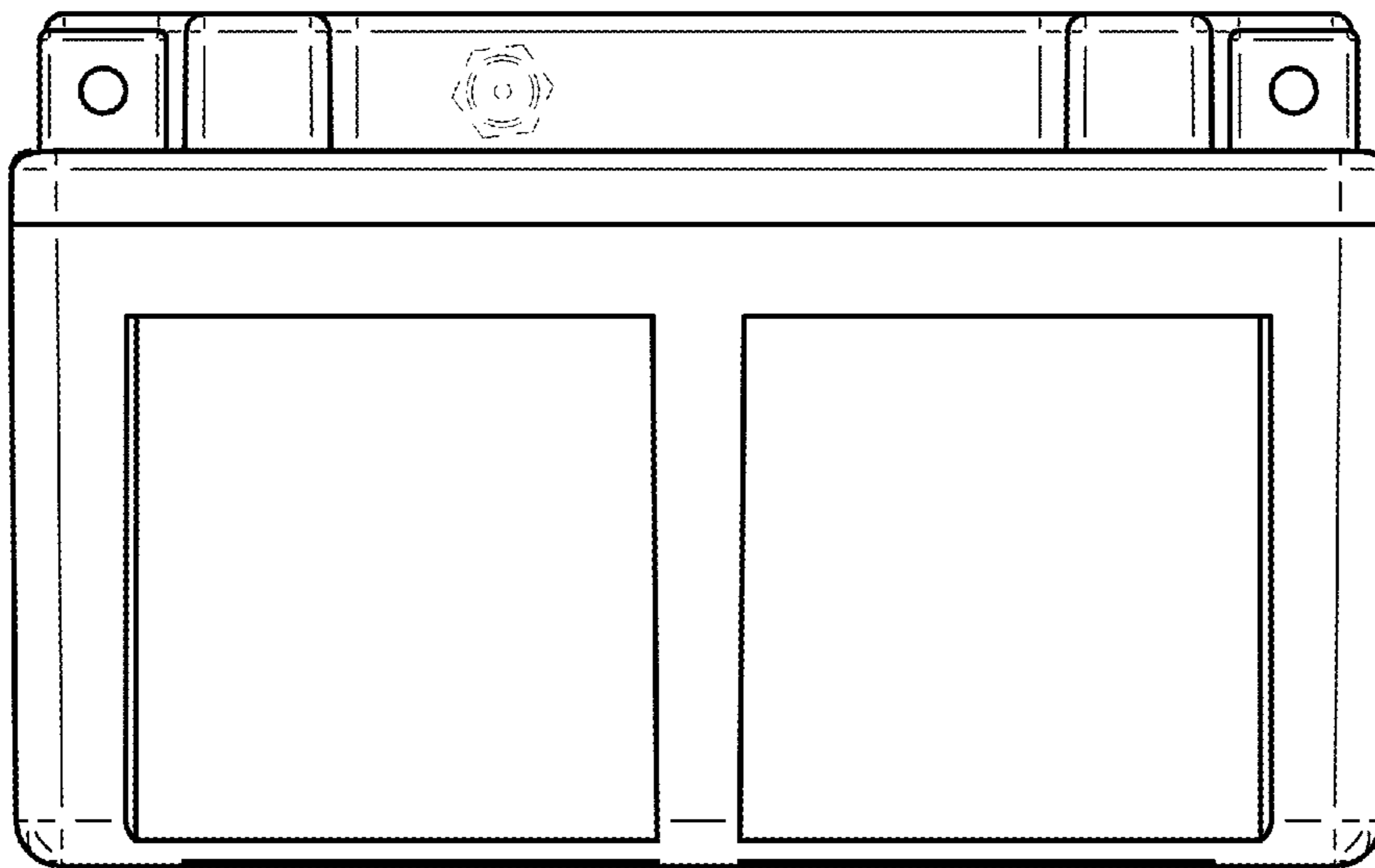


Fig. 3

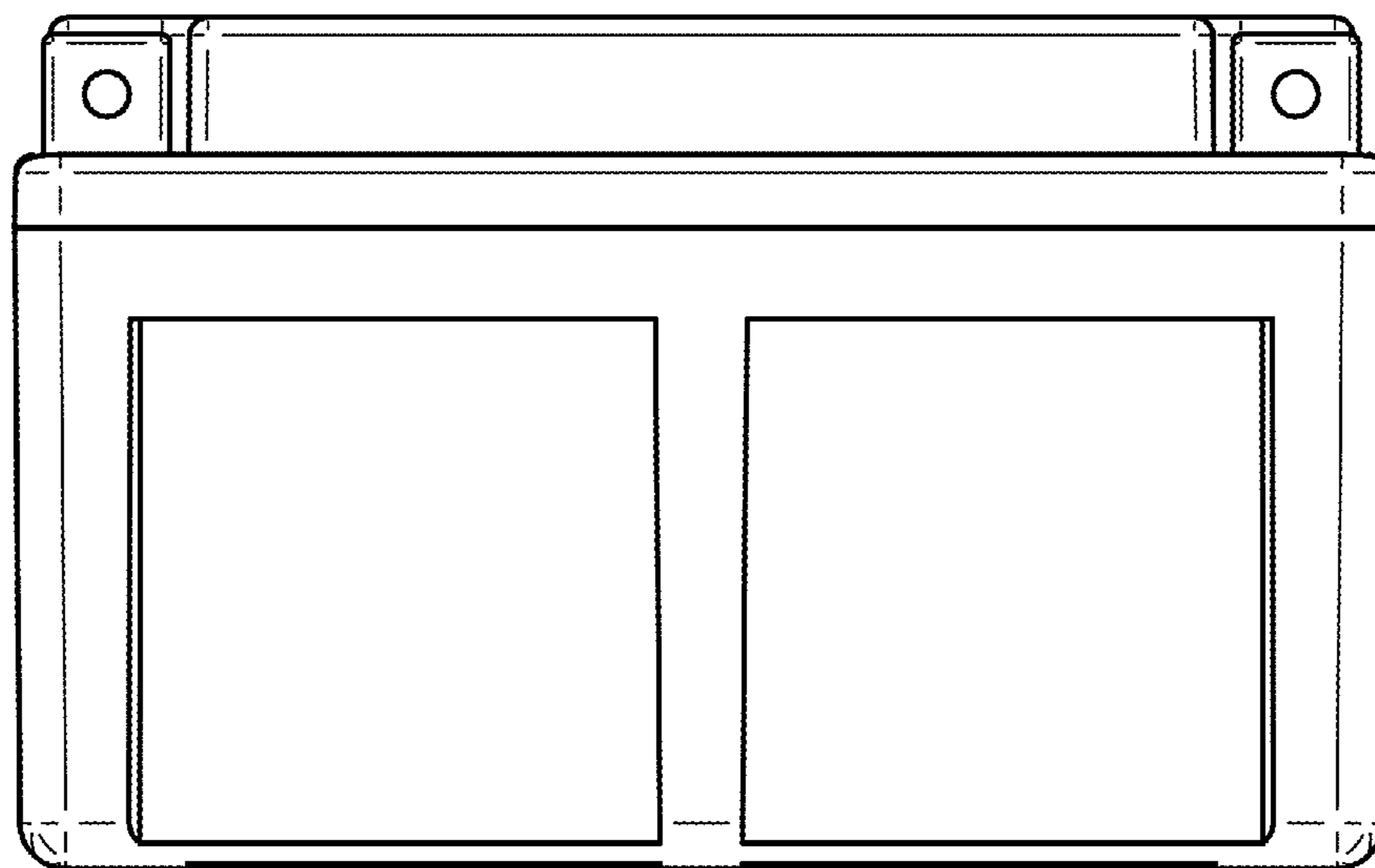


Fig. 4

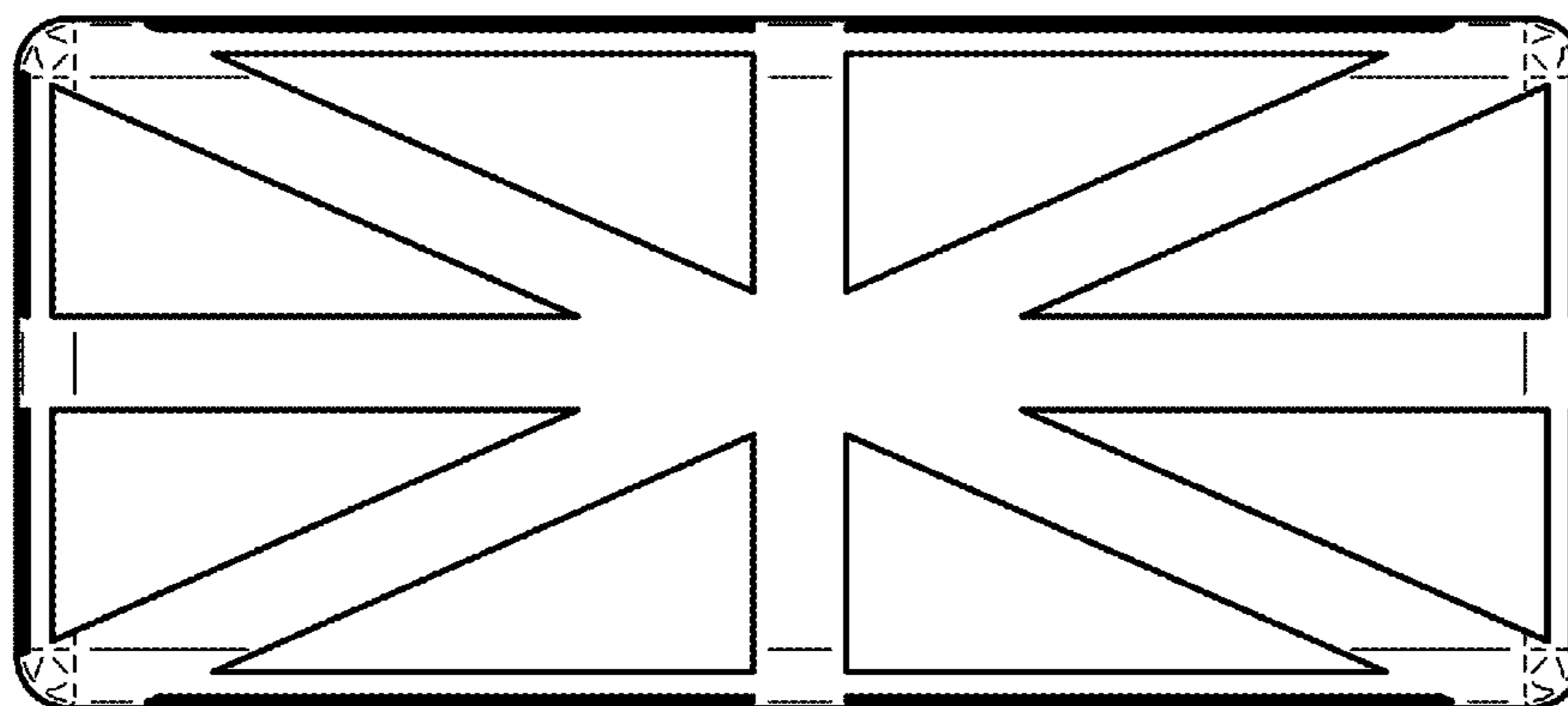


Fig. 5

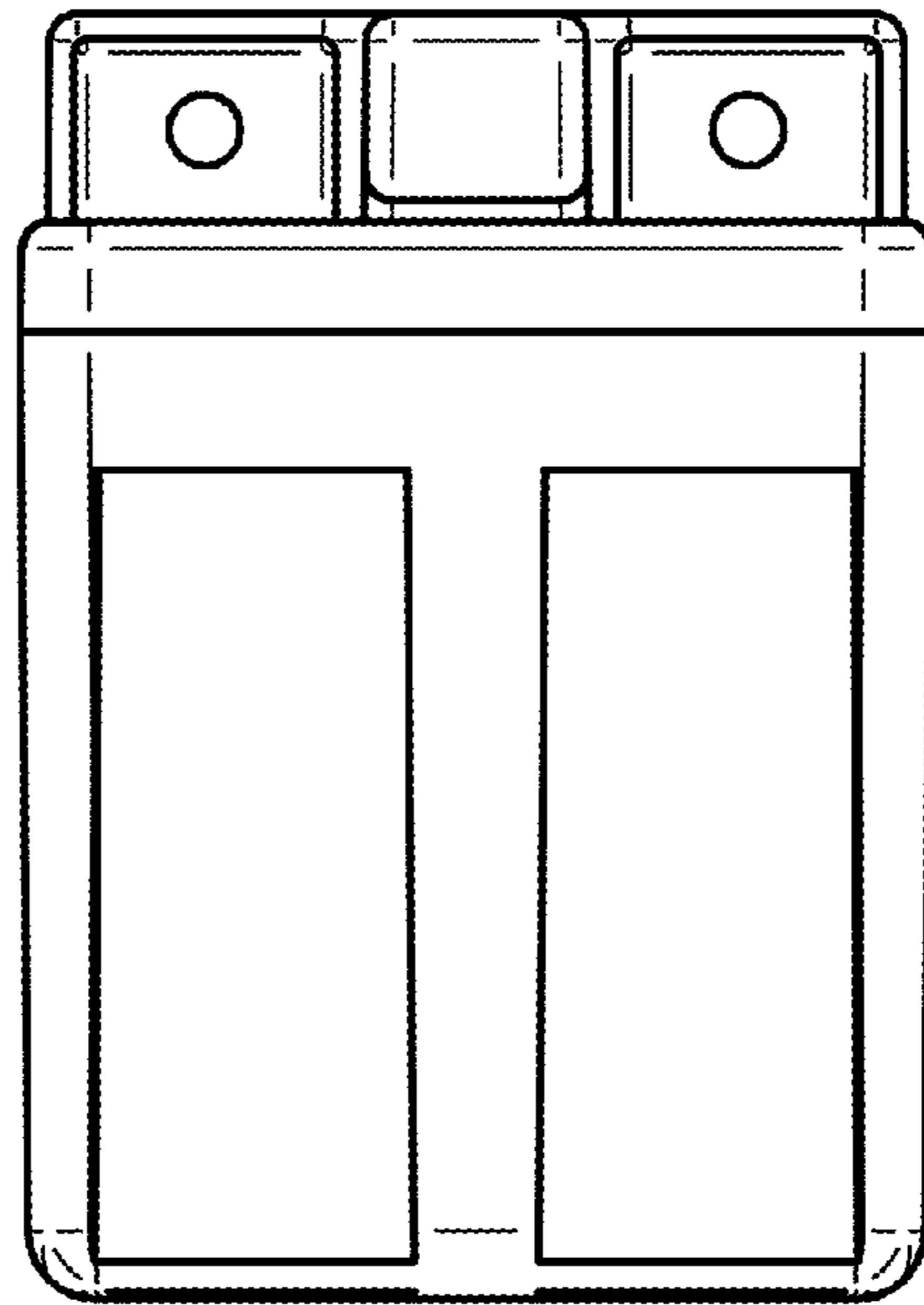


Fig. 6