



US00D719078S

(12) **United States Design Patent**
Manzke, Jr.

(10) **Patent No.:** **US D719,078 S**

(45) **Date of Patent:** **** Dec. 9, 2014**

(54) **BUS BARRIER DOOR**

7,032,946 B1 * 4/2006 Brown 296/24.4
7,195,297 B2 * 3/2007 Murray et al. 296/24.46
D549,153 S * 8/2007 Brown D12/400

(71) Applicant: **North American Bus Industries, Inc.**,
Anniston, AL (US)

(Continued)

(72) Inventor: **G. William Manzke, Jr.**, Dublin, OH
(US)

Primary Examiner — Deanna L Pratt

Assistant Examiner — Natasha Vujcic

(73) Assignee: **NABI Bus, LLC**, Anniston, AL (US)

(74) *Attorney, Agent, or Firm* — C. Brandon Browning;
Maynard Cooper and Gale, P.C.

(**) Term: **14 Years**

(57) **CLAIM**

The ornamental design for a bus barrier door, as shown and described.

(21) Appl. No.: **29/441,793**

DESCRIPTION

(22) Filed: **Jan. 9, 2013**

(51) **LOC (10) Cl.** **12-16**

FIG. 1 is a rear perspective view of a first side of a bus barrier door of the present invention.

(52) **U.S. Cl.**
USPC **D12/400**

FIG. 2 is a front perspective view of the first side of the bus barrier door of FIG. 1.

(58) **Field of Classification Search**
CPC A47F 3/043; A47F 3/125; B60R 21/02;
B60R 21/12; B60N 2/44; B60N 3/00
USPC D12/84, 89, 96, 97, 100, 196, 203, 314,
D12/400; D28/36, 92; 280/5.3, 163, 164.2,
280/166, 169, 291; 296/24.3, 24.4, 24.42,
296/24.43, 24.46, 156, 164, 166
See application file for complete search history.

FIG. 3 is a rear perspective view of a second side of the bus barrier door of FIG. 1.

FIG. 4 is a front perspective view of the second side of the bus barrier door of FIG. 1.

FIG. 5 is an elevational view of the first side of the bus barrier door of FIG. 1.

FIG. 6 is an elevational view of the second side of the bus barrier door of FIG. 1.

(56) **References Cited**

U.S. PATENT DOCUMENTS

3,549,195	A *	12/1970	Kallinikos	296/24.46
4,035,014	A *	7/1977	Sellers	296/24.46
4,227,735	A *	10/1980	Joyner	296/24.46
4,509,788	A *	4/1985	Jan et al.	296/24.46
4,892,345	A *	1/1990	Rachael, III	296/24.37
5,004,286	A *	4/1991	Taylor et al.	296/24.46
D350,208	S *	8/1994	Zajac	D25/48.7
6,250,700	B1 *	6/2001	Traxler	296/24.46
6,669,259	B2 *	12/2003	Murray et al.	296/24.46
6,983,969	B2 *	1/2006	Murray et al.	296/24.46

FIG. 7 is an elevational view of a front end of the bus barrier door of FIG. 1.

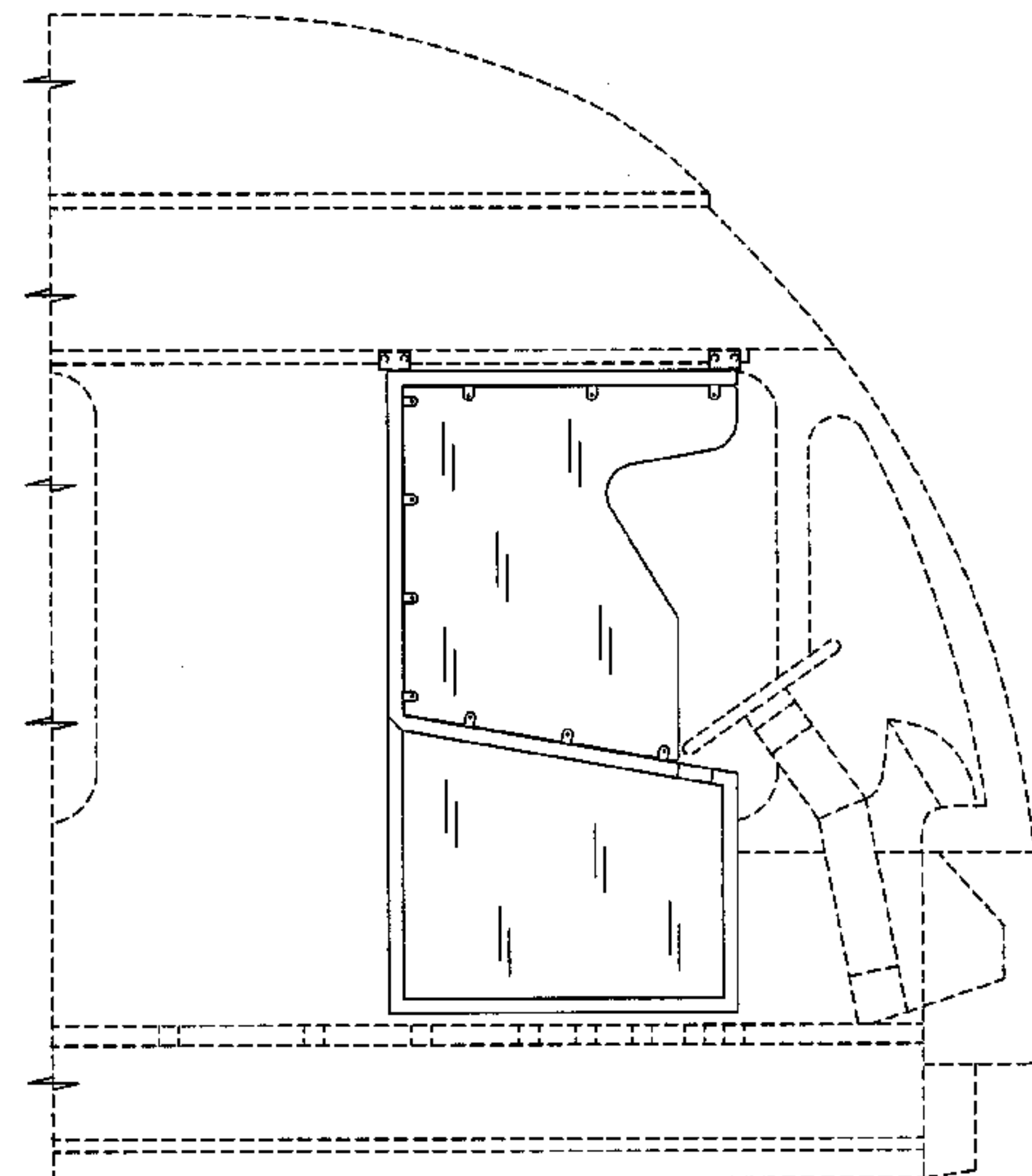
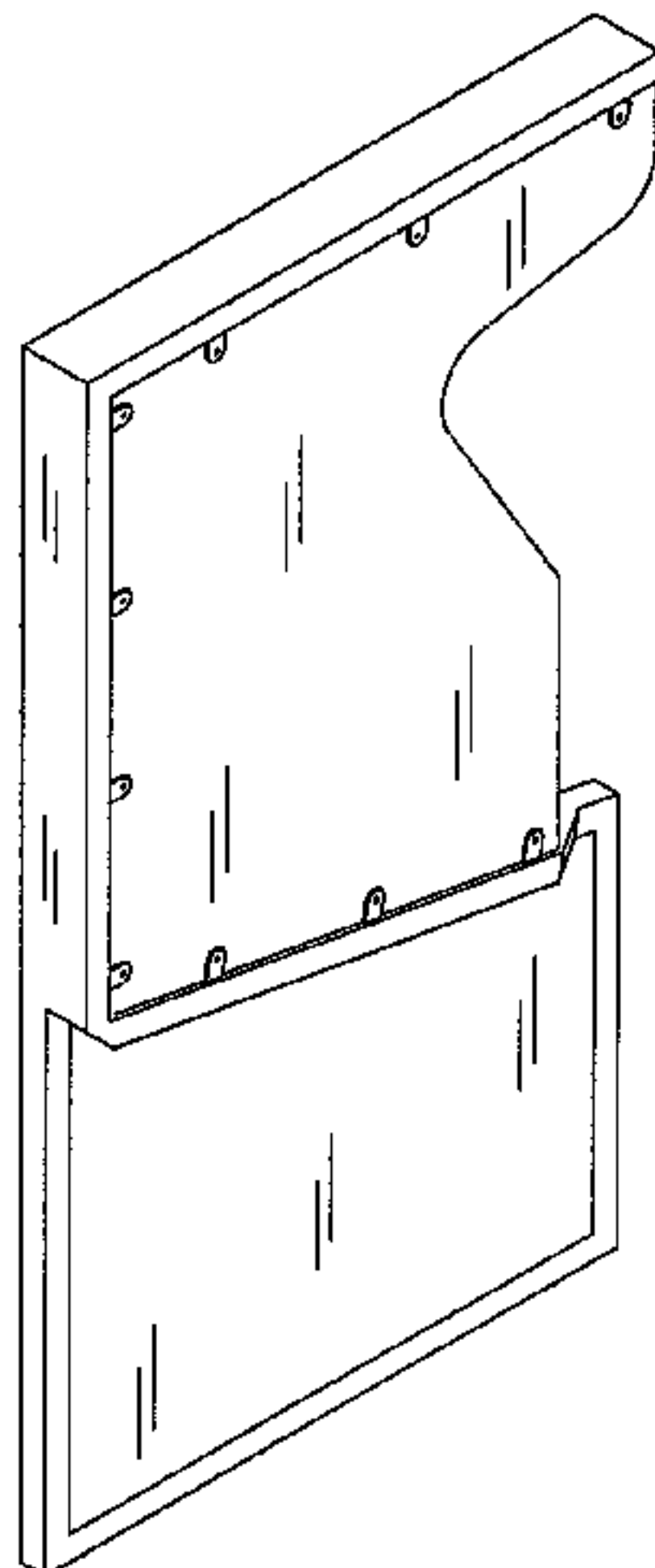
FIG. 8 is an elevational view of a rear end of the bus barrier door of FIG. 1.

FIG. 9 is a top plan view of the bus barrier door of FIG. 1.

FIG. 10 is a bottom plan view of the bus barrier door of FIG. 1; and,

FIG. 11 is an elevational view of the first side of the bus barrier door of FIG. 1 showing the bus barrier door installed in a bus. The broken lines in the drawings illustrate the environment of the bus barrier door and form no part of the claimed design.

1 Claim, 5 Drawing Sheets



US D719,078 S

Page 2

(56)

References Cited

U.S. PATENT DOCUMENTS

D667,357 S	*	9/2012	Lee	D12/400				
D669,413 S	*	10/2012	Lee	D12/400				
						8,434,805	B1 *	5/2013	Bonniville 296/24.4
						8,833,831	B2 *	9/2014	Manzke, Jr. 296/24.4
						2002/0073645	A1 *	6/2002	Richardson et al. 52/786.11
						2006/0265979	A1 *	11/2006	Cording 52/204.5

* cited by examiner

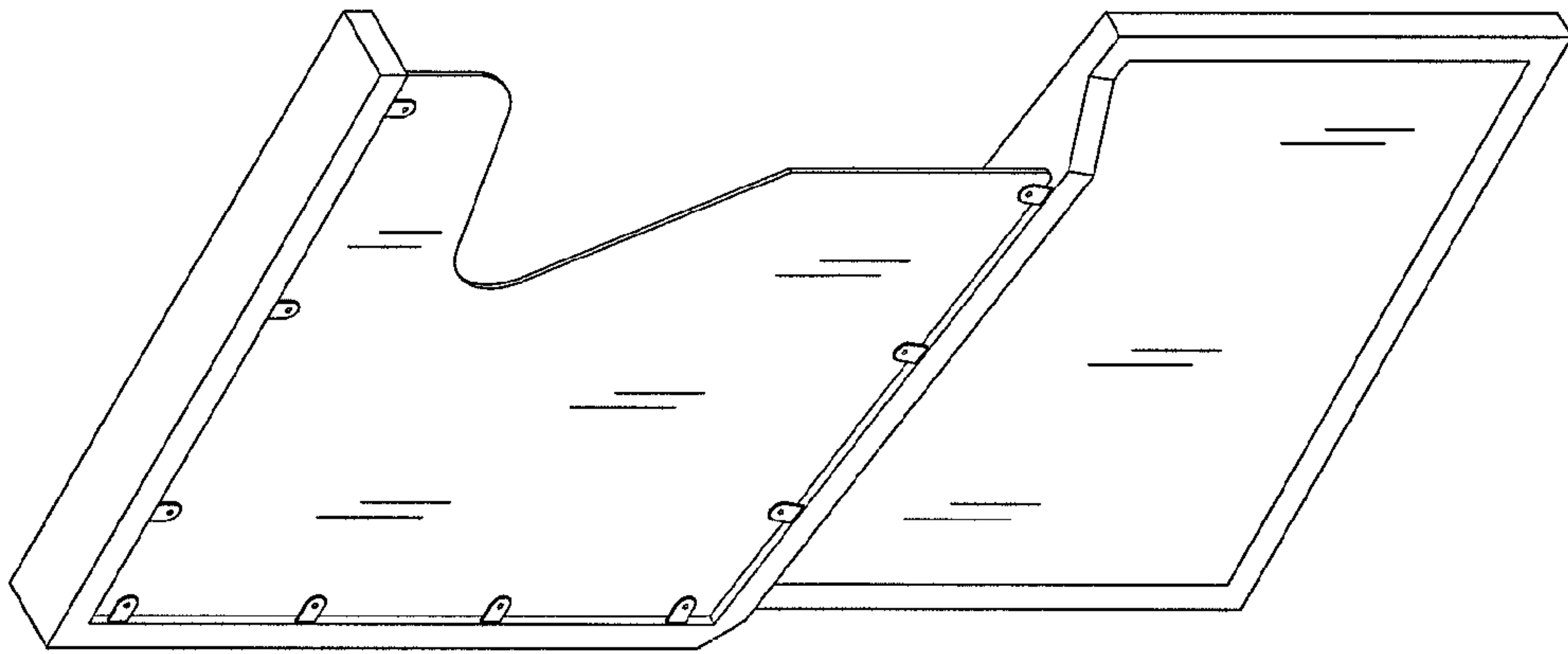


FIG. 2

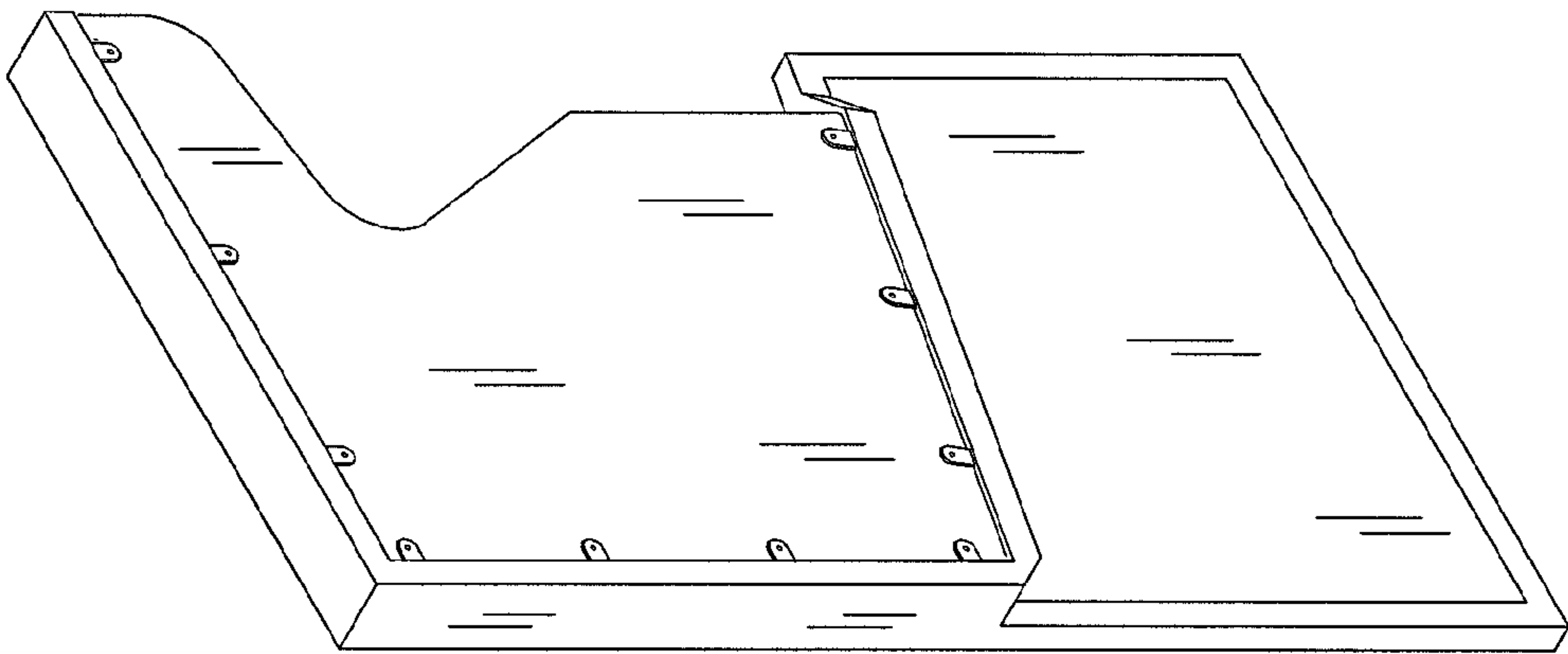


FIG. 1

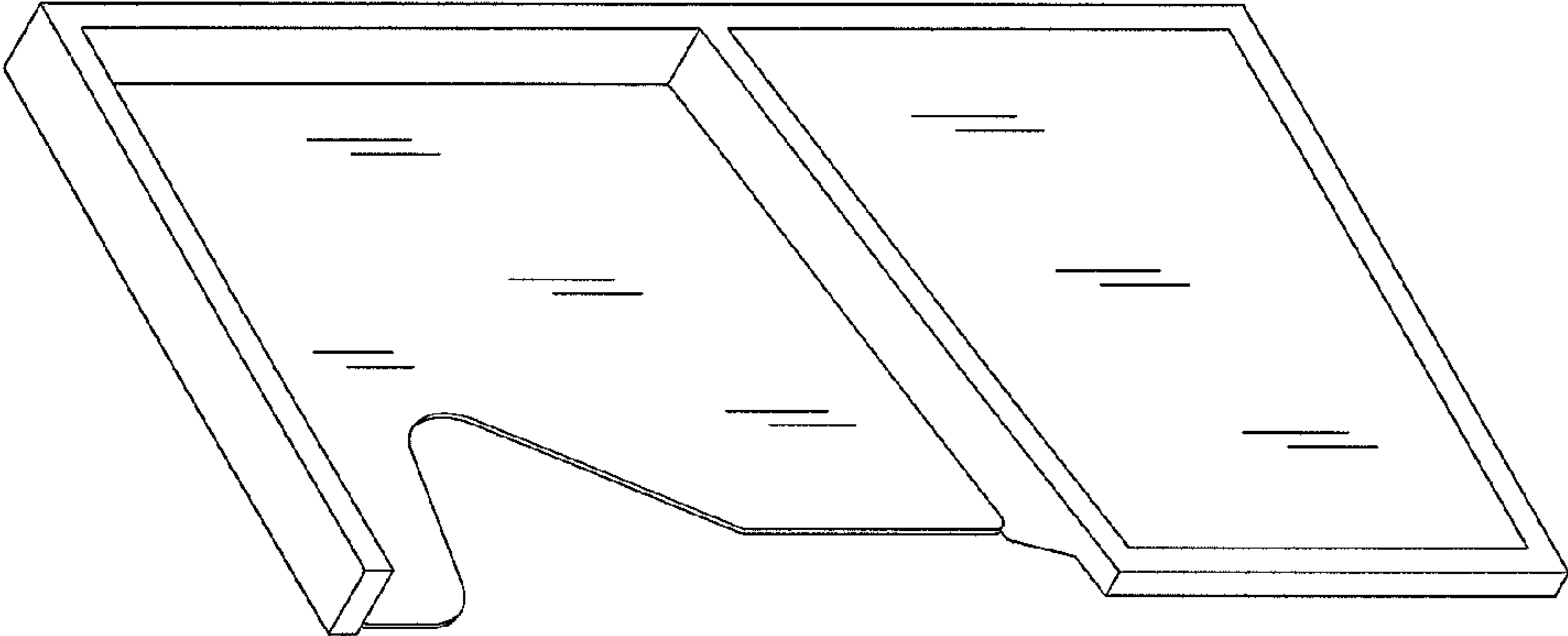


FIG. 4

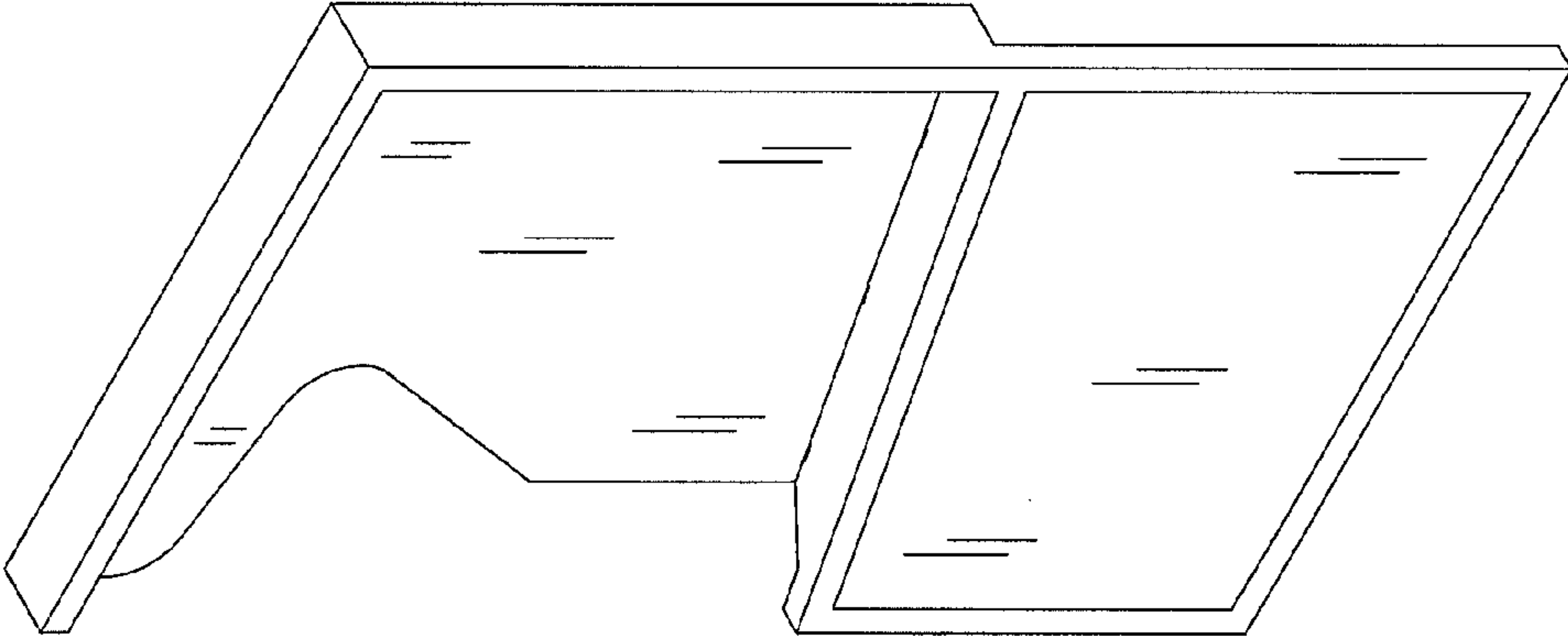


FIG. 3

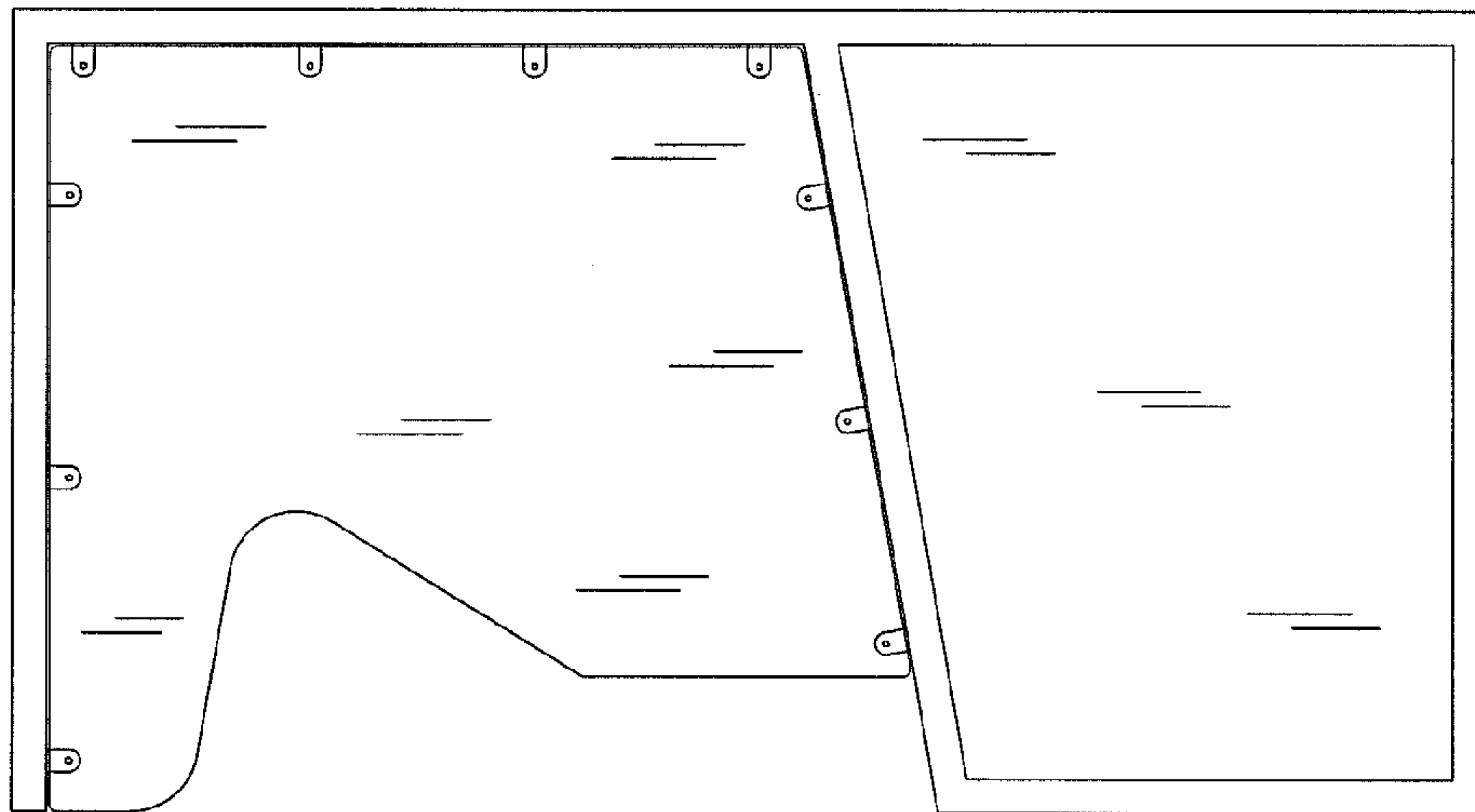


FIG. 6

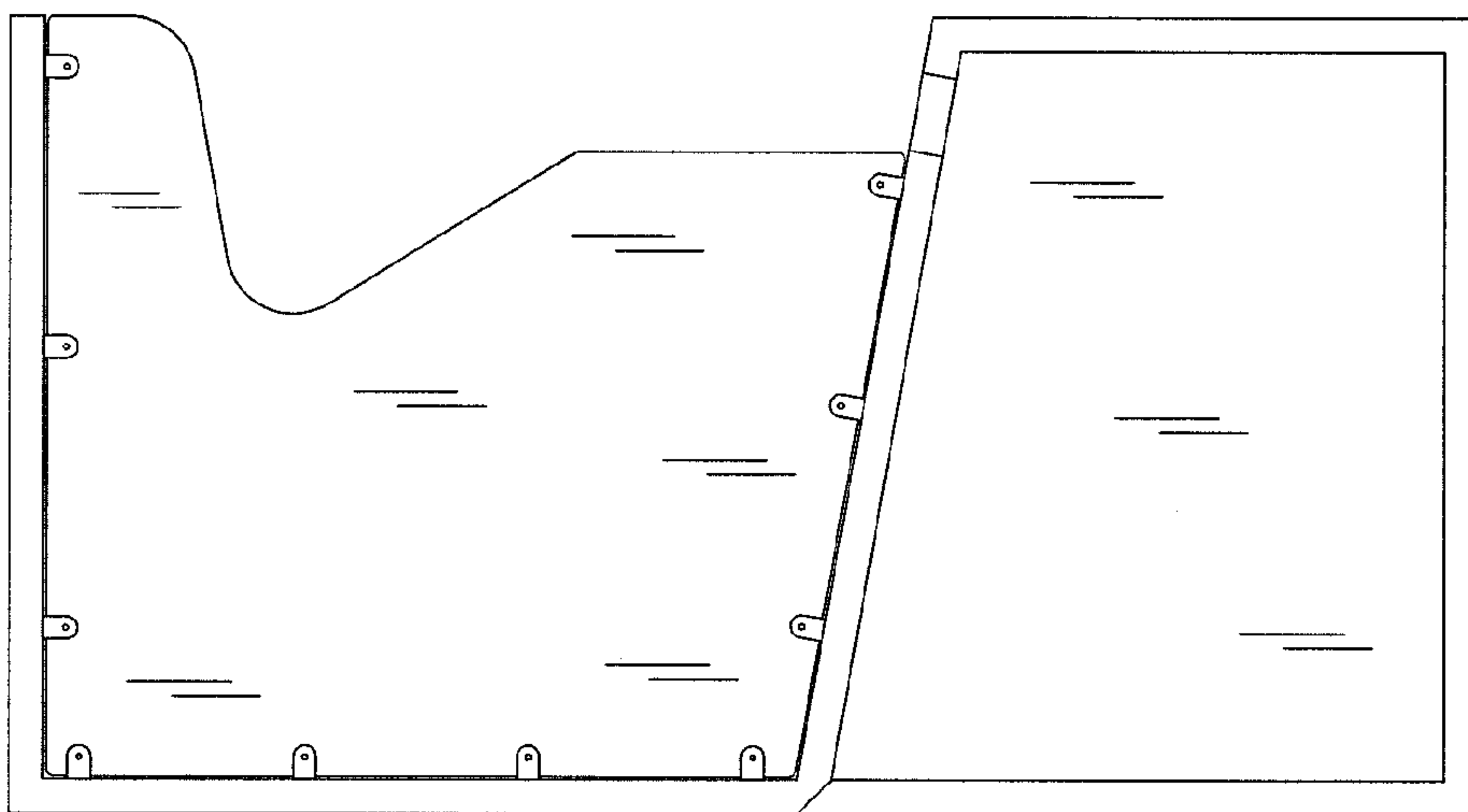


FIG. 5

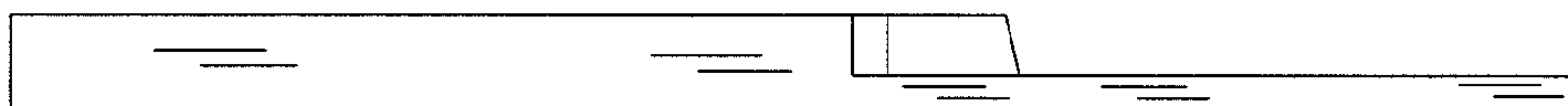


FIG. 7

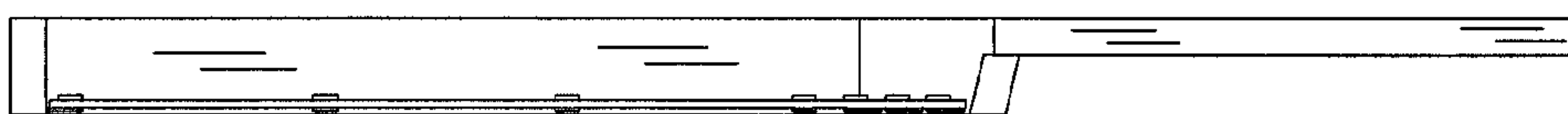


FIG. 8

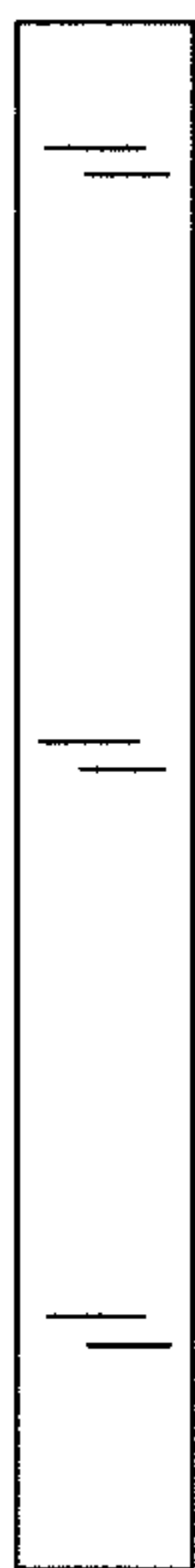


FIG. 9

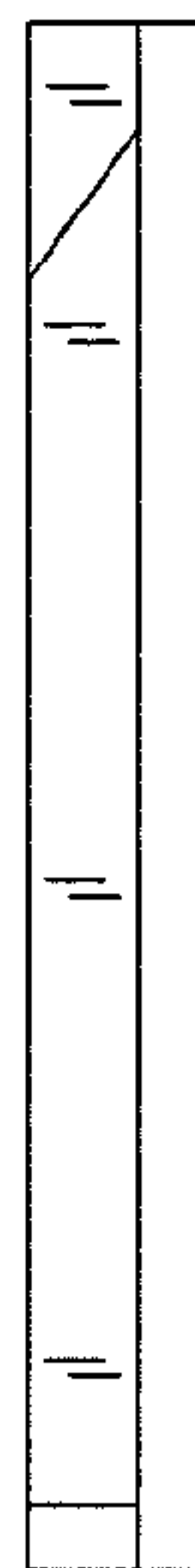


FIG. 10

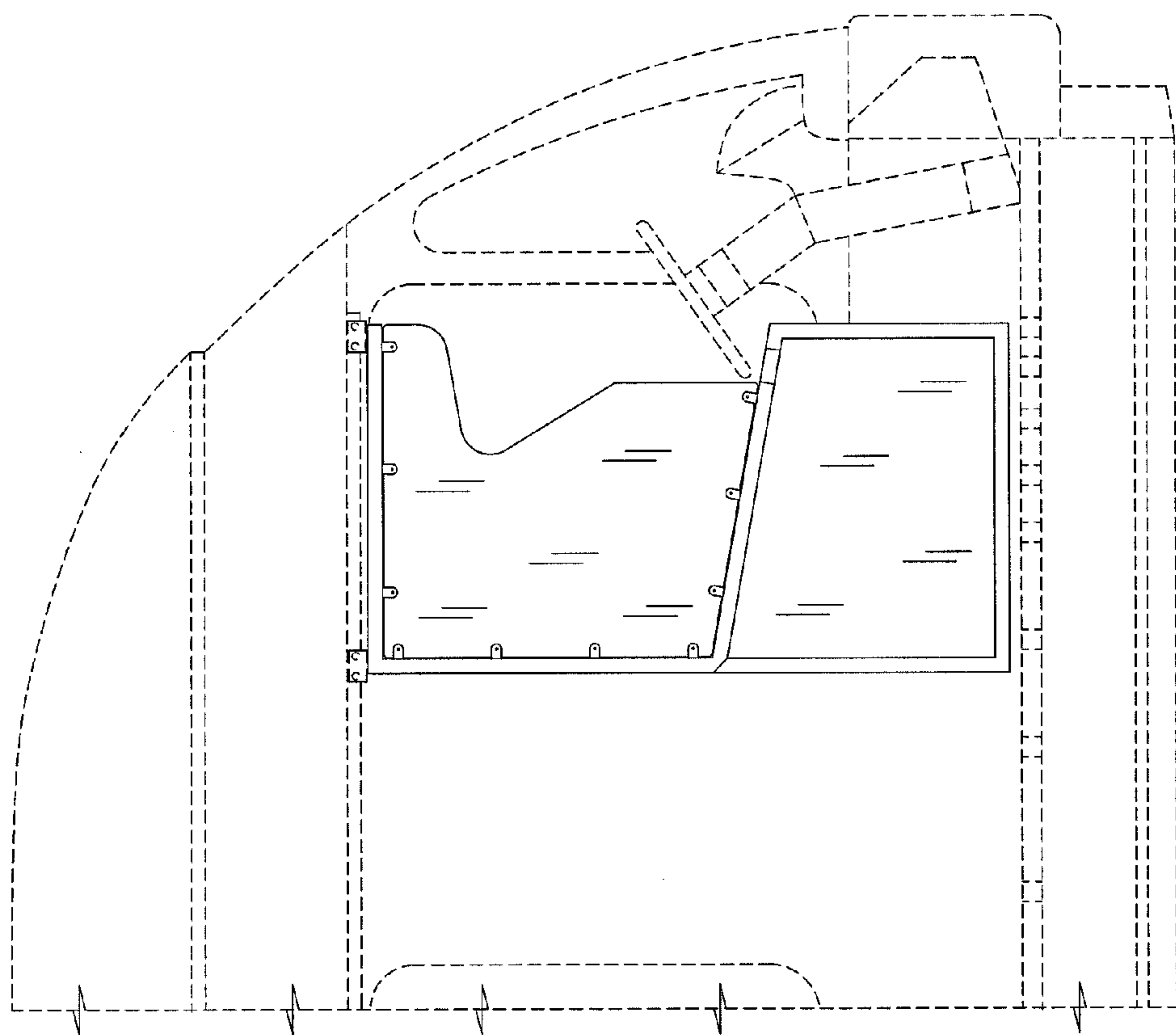


FIG. 11