



US00D719076S

(12) **United States Design Patent**  
**McLeod**

(10) **Patent No.:** **US D719,076 S**  
(45) **Date of Patent:** **\*\* Dec. 9, 2014**

(54) **VEHICLE WHEEL**

(71) Applicant: **Ford Motor Company**, Dearborn, MI (US)

(72) Inventor: **John McLeod**, Soumagne (BE)

(73) Assignee: **Ford Motor Company**, Dearborn, MI (US)

(\*\*) Term: **14 Years**

(21) Appl. No.: **29/482,112**

(22) Filed: **Feb. 14, 2014**

(51) **LOC (10) Cl.** ..... **12-16**

(52) **U.S. Cl.**  
USPC ..... **D12/211**

(58) **Field of Classification Search**  
CPC ..... B60B 7/00; B60B 7/02; B60B 7/04;  
B60B 7/01; B60B 7/06; B60B 3/02; B60B  
3/04; B60B 3/06; B60B 3/10; B60B 1/00;  
B60B 1/08; B60B 1/10; B60B 1/12  
USPC ..... D12/204-213  
See application file for complete search history.

(56) **References Cited**

**U.S. PATENT DOCUMENTS**

D361,547 S \* 8/1995 Weld ..... D12/211  
D368,885 S \* 4/1996 Wagner ..... D12/209  
D427,555 S \* 7/2000 Hall ..... D12/209

D437,821 S \* 2/2001 Frohlich ..... D12/211  
D482,308 S \* 11/2003 Lee ..... D12/211  
D485,223 S \* 1/2004 Pfeiffer et al. .... D12/209  
D486,437 S \* 2/2004 Hieke ..... D12/211  
D504,098 S \* 4/2005 Gallert ..... D12/209  
D515,491 S \* 2/2006 Elmitt ..... D12/209  
D526,262 S \* 8/2006 Guevara ..... D12/209  
D553,550 S \* 10/2007 Tirado ..... D12/211  
D570,758 S \* 6/2008 Bhambra ..... D12/209  
D587,178 S \* 2/2009 Pfeiffer ..... D12/209  
D595,203 S \* 6/2009 Rak ..... D12/211  
D608,714 S \* 1/2010 Bucher et al. .... D12/209  
D619,070 S \* 7/2010 Pollmann ..... D12/209  
D621,319 S \* 8/2010 Nissl ..... D12/209  
D628,527 S \* 12/2010 Faghihzadeh ..... D12/211  
D635,078 S \* 3/2011 Elmitt ..... D12/209  
D686,554 S \* 7/2013 Pollmann ..... D12/209  
D703,603 S \* 4/2014 Tirado ..... D12/211

\* cited by examiner

*Primary Examiner* — Stacia Cadmus

(74) *Attorney, Agent, or Firm* — Damian Porcari

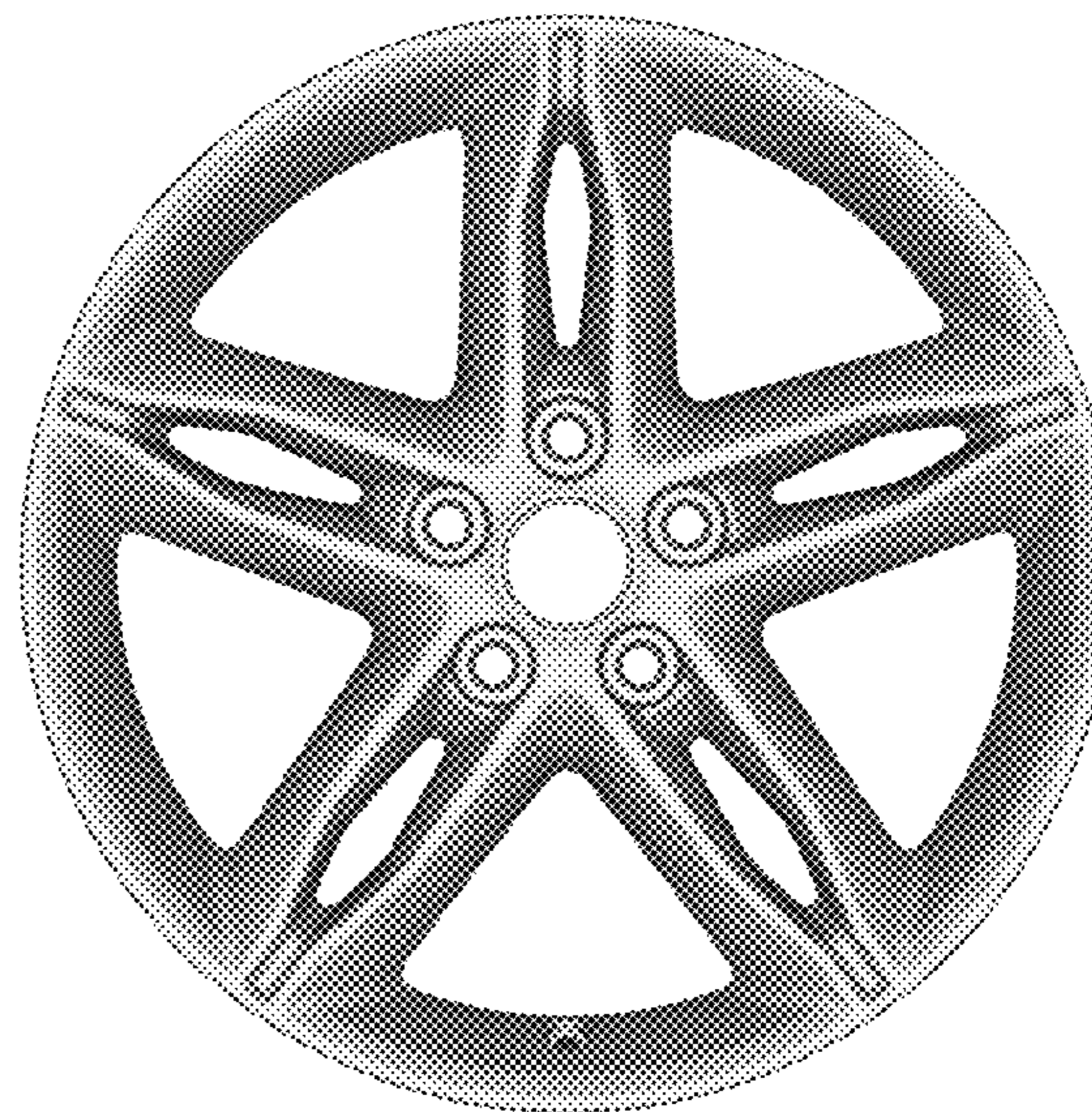
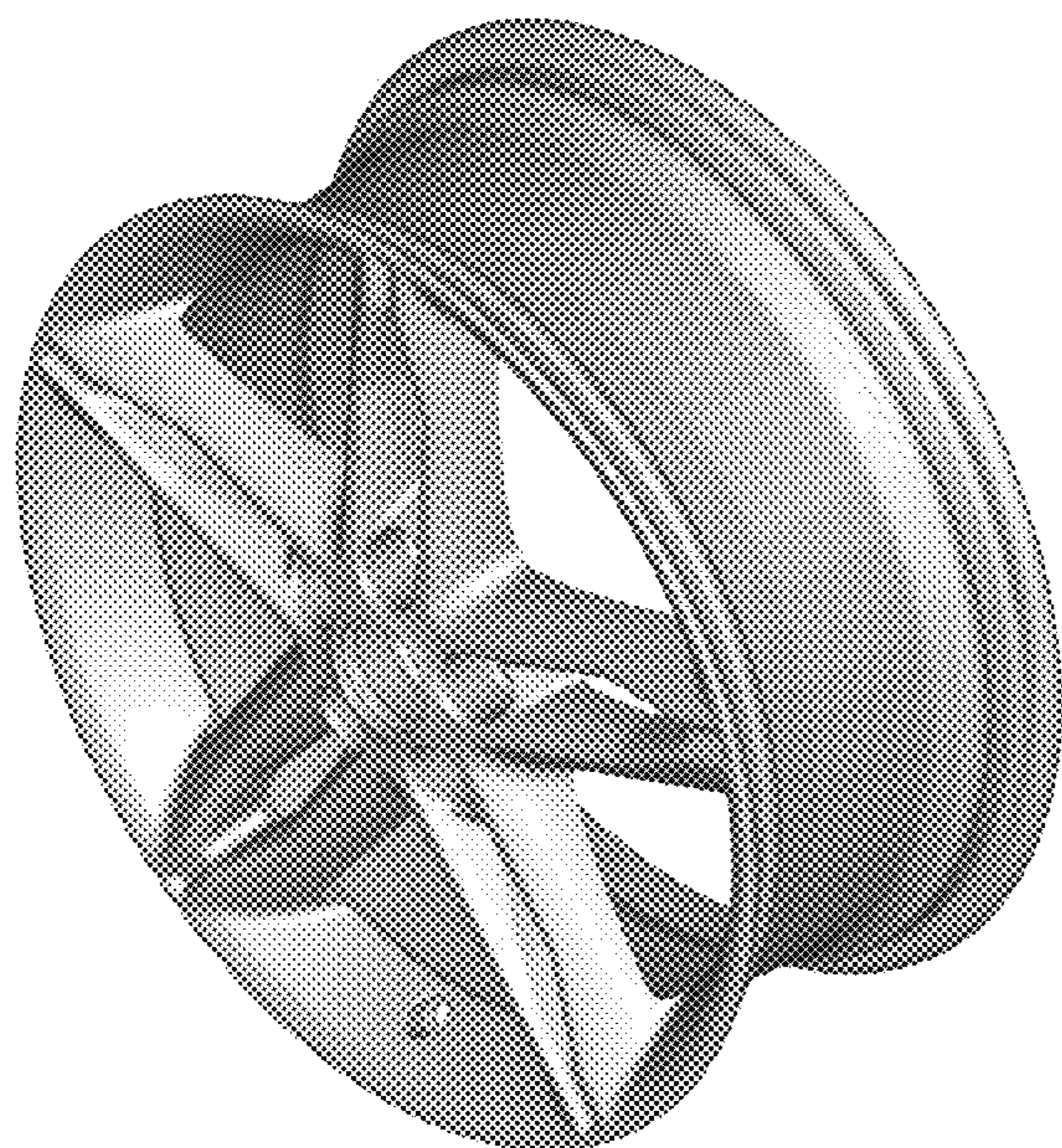
(57) **CLAIM**

The ornamental design for a vehicle wheel, as shown and described.

**DESCRIPTION**

FIG. 1 is a perspective view of a vehicle wheel; and, FIG. 2 is a front view thereof.

**1 Claim, 2 Drawing Sheets**



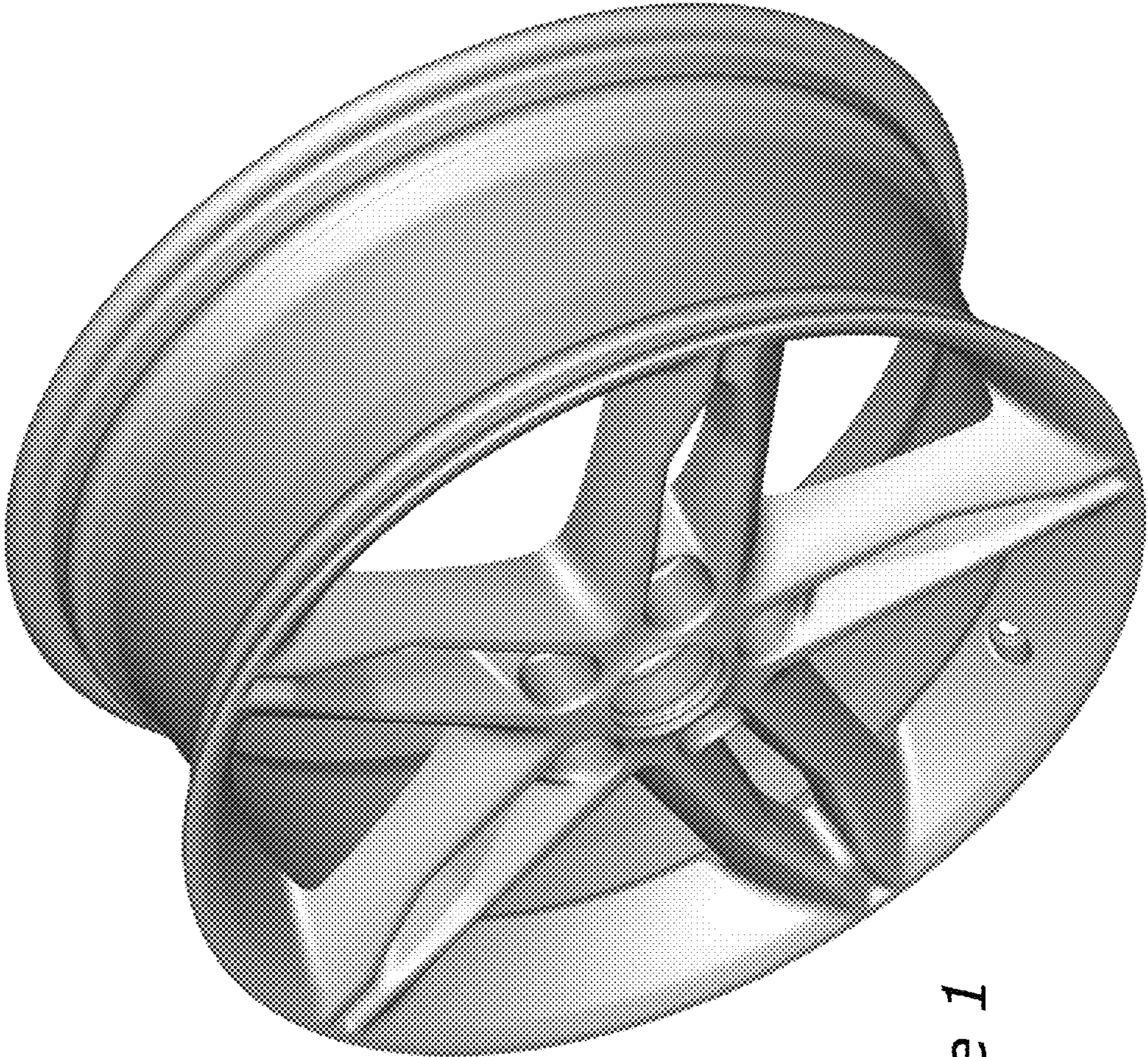


Figure 1



Figure 2