



US00D719071S

(12) **United States Design Patent**  
**Morris et al.**

(10) **Patent No.:** **US D719,071 S**  
(45) **Date of Patent:** **\*\* Dec. 9, 2014**

(54) **OMNIDIRECTIONAL MOBILITY DEVICE**

(71) Applicants: **Merry Lynn Morris**, Tampa, FL (US);  
**Thomas Messerschmidt**, Riverside, CA  
(US); **Tim John Lewis**, Garden Grove,  
CA (US)

(72) Inventors: **Merry Lynn Morris**, Tampa, FL (US);  
**Thomas Messerschmidt**, Riverside, CA  
(US); **Tim John Lewis**, Garden Grove,  
CA (US)

(73) Assignee: **University of South Florida**, Tampa, FL  
(US)

(\*\*) Term: **14 Years**

(21) Appl. No.: **29/448,044**

(22) Filed: **Mar. 8, 2013**

(51) **LOC (10) Cl.** ..... **12-12**

(52) **U.S. Cl.**  
USPC ..... **D12/128**

(58) **Field of Classification Search**  
USPC ..... D12/128-133; 280/62, 647-650, 29,  
280/200, 47.38, 250.1, 259, 642, 658;  
296/65.03, 65.04; 224/409; 180/204,  
180/253, 343; 482/69; 47/39; 135/67  
See application file for complete search history.

(56) **References Cited**

**U.S. PATENT DOCUMENTS**

4,413,693 A \* 11/1983 Derby ..... 180/343  
4,483,405 A \* 11/1984 Noda et al. .... 180/6.5  
5,547,038 A \* 8/1996 Madwed ..... 180/253

6,128,853 A \* 10/2000 Klonel et al. .... 47/39  
6,135,228 A \* 10/2000 Asada et al. .... 180/204  
6,540,039 B1 \* 4/2003 Yu et al. .... 180/253  
6,578,594 B1 \* 6/2003 Bowen et al. .... 135/67  
7,350,789 B2 \* 4/2008 Uffner et al. .... 280/33.998  
7,418,328 B2 \* 8/2008 Romig ..... 701/41  
7,938,756 B2 \* 5/2011 Rodetsky et al. .... 482/69

\* cited by examiner

*Primary Examiner* — Ian Simmons

*Assistant Examiner* — Charles Hanson

(74) *Attorney, Agent, or Firm* — Nilay J. Choksi; Smith &  
Hopen, P.A.

(57) **CLAIM**

The ornamental design for an omnidirectional mobility  
device, as substantially shown and described.

**DESCRIPTION**

FIG. 1 is a perspective view of an omnidirectional mobility  
device, showing the novel design;

FIG. 2 is a front view of the omnidirectional mobility  
device shown in FIG. 1;

FIG. 3 is a rear view of the omnidirectional mobility  
device shown in FIG. 1;

FIG. 4 is a side elevational view of the omnidirectional mobil-  
ity device shown in FIG. 1;

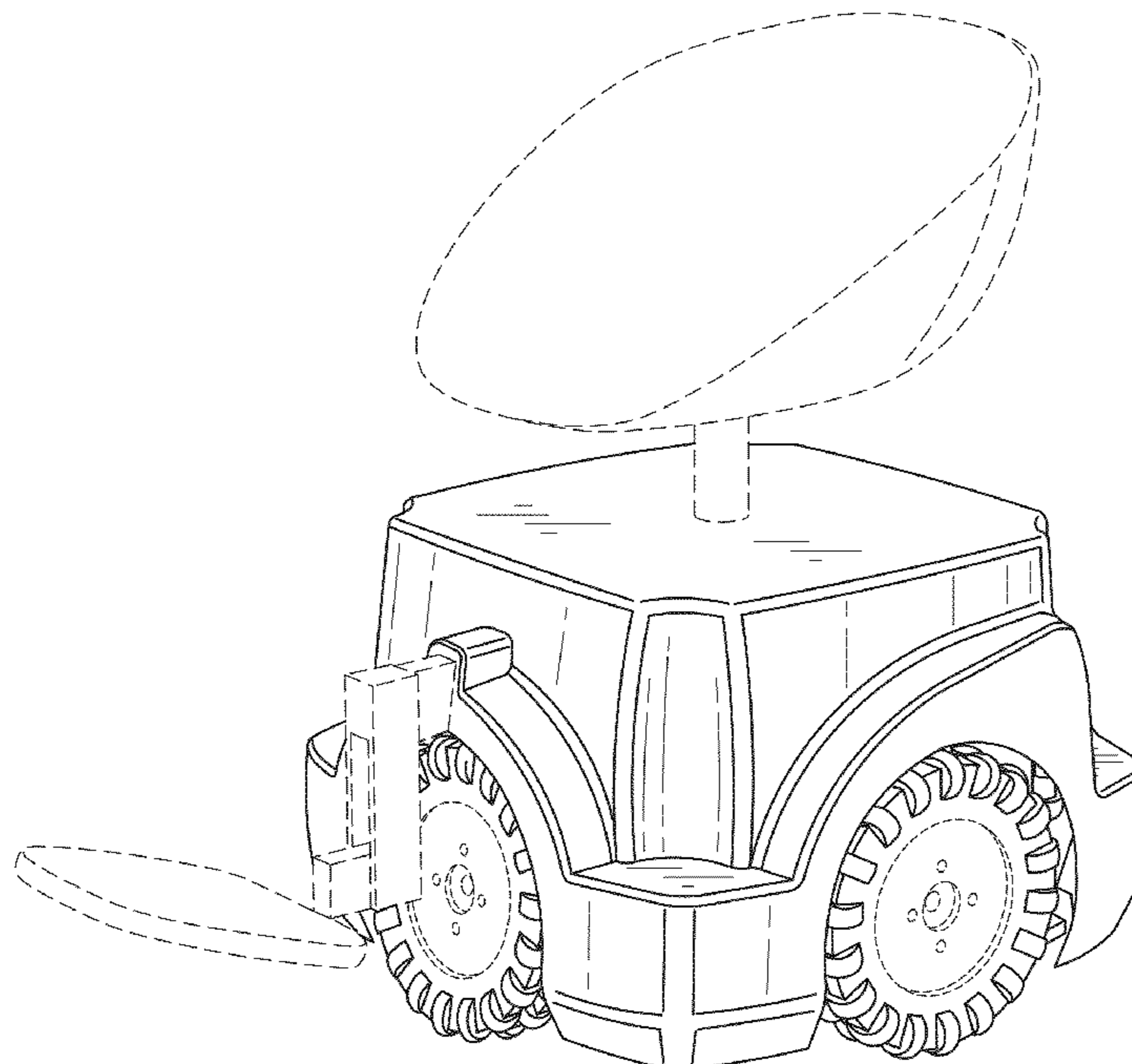
FIG. 5 is a top plan view of the omnidirectional mobility  
device shown in FIG. 1;

FIG. 6 is a bottom plan view of the omnidirectional mobility  
device shown in FIG. 1; and,

FIG. 7 is a close-up view of the encircled portion shown in  
FIG. 6.

The matter delineated in broken lines forms no part of the  
claimed ornamental design.

**1 Claim, 7 Drawing Sheets**



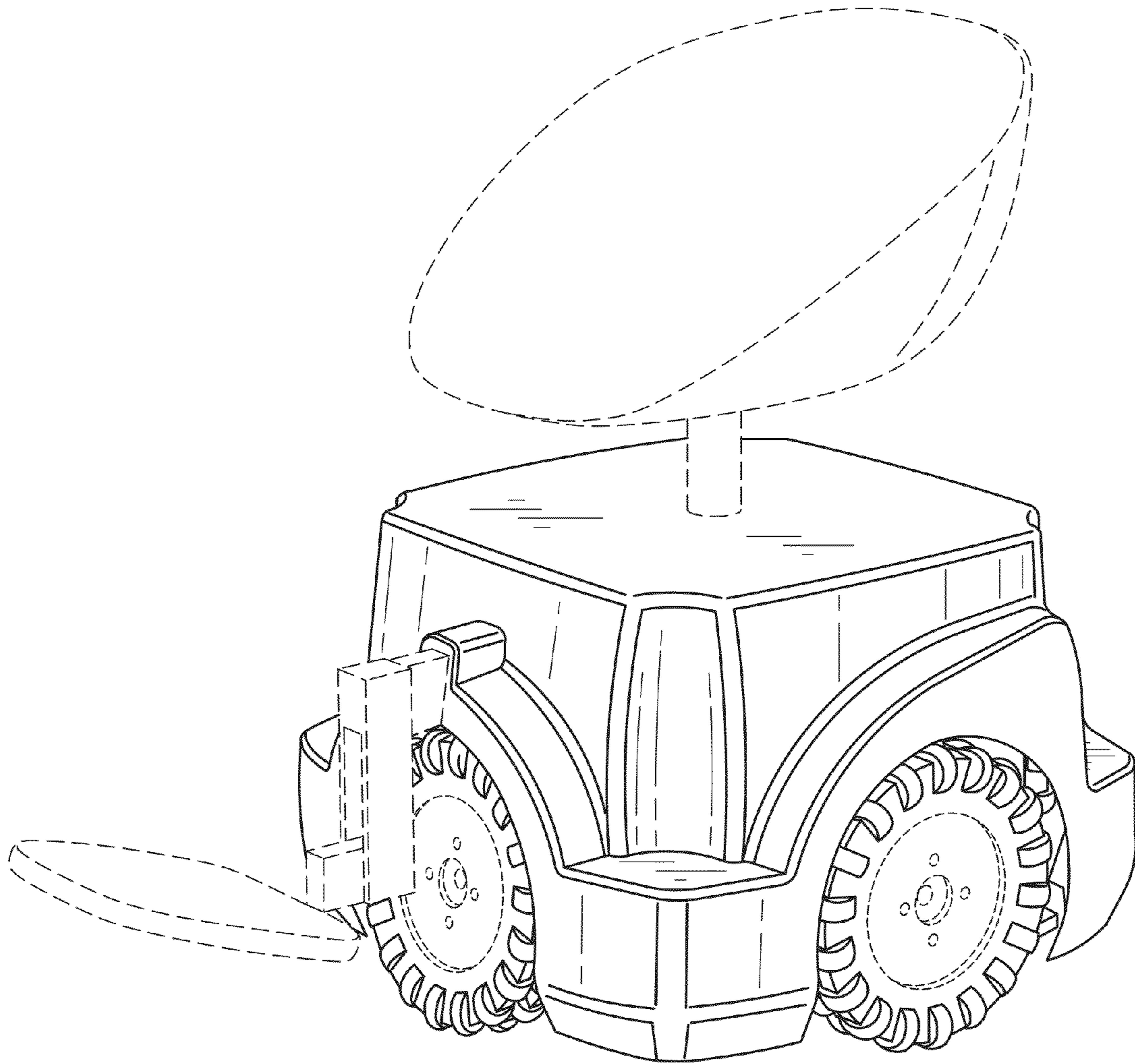


FIG. 1

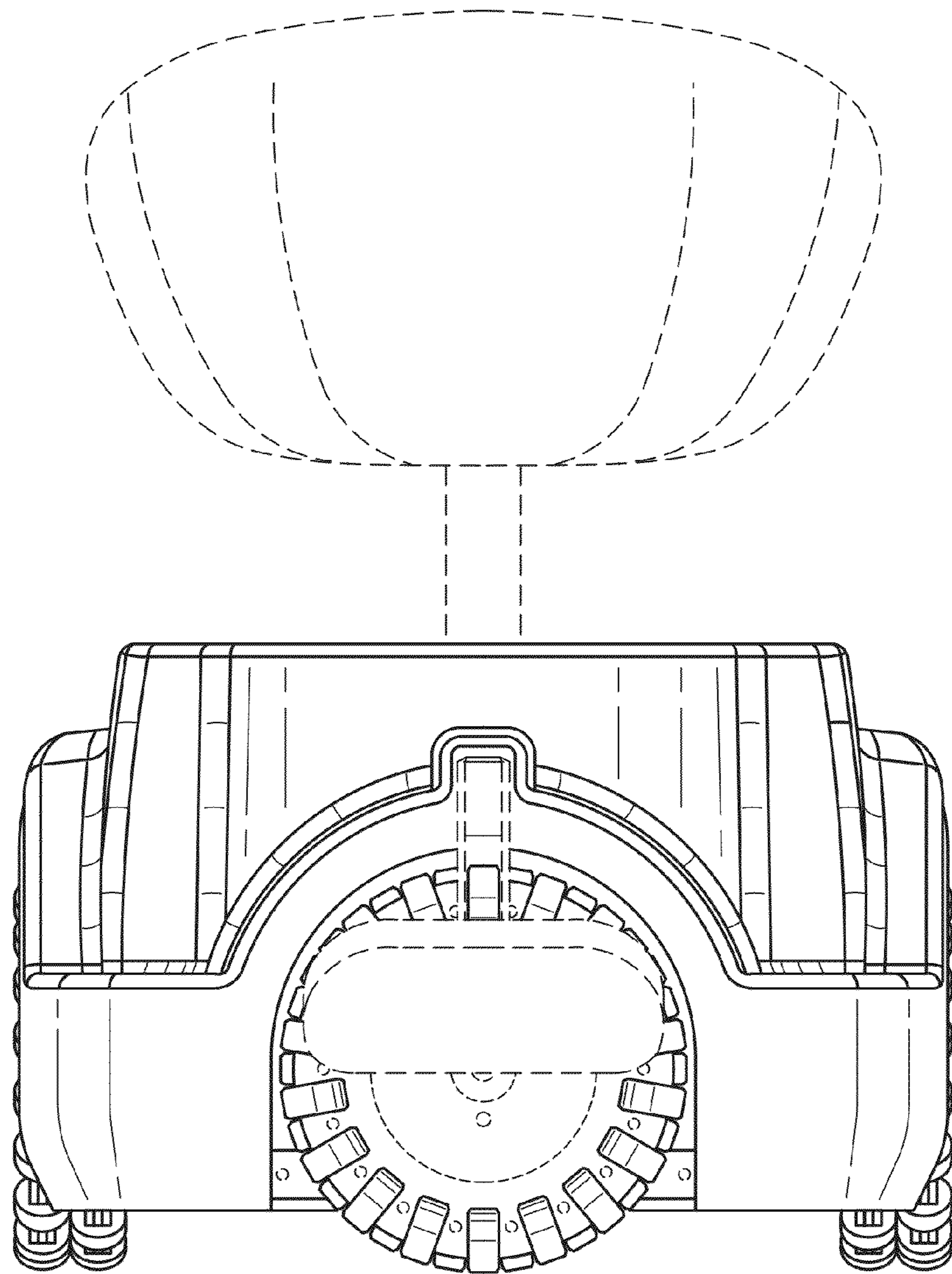


FIG. 2



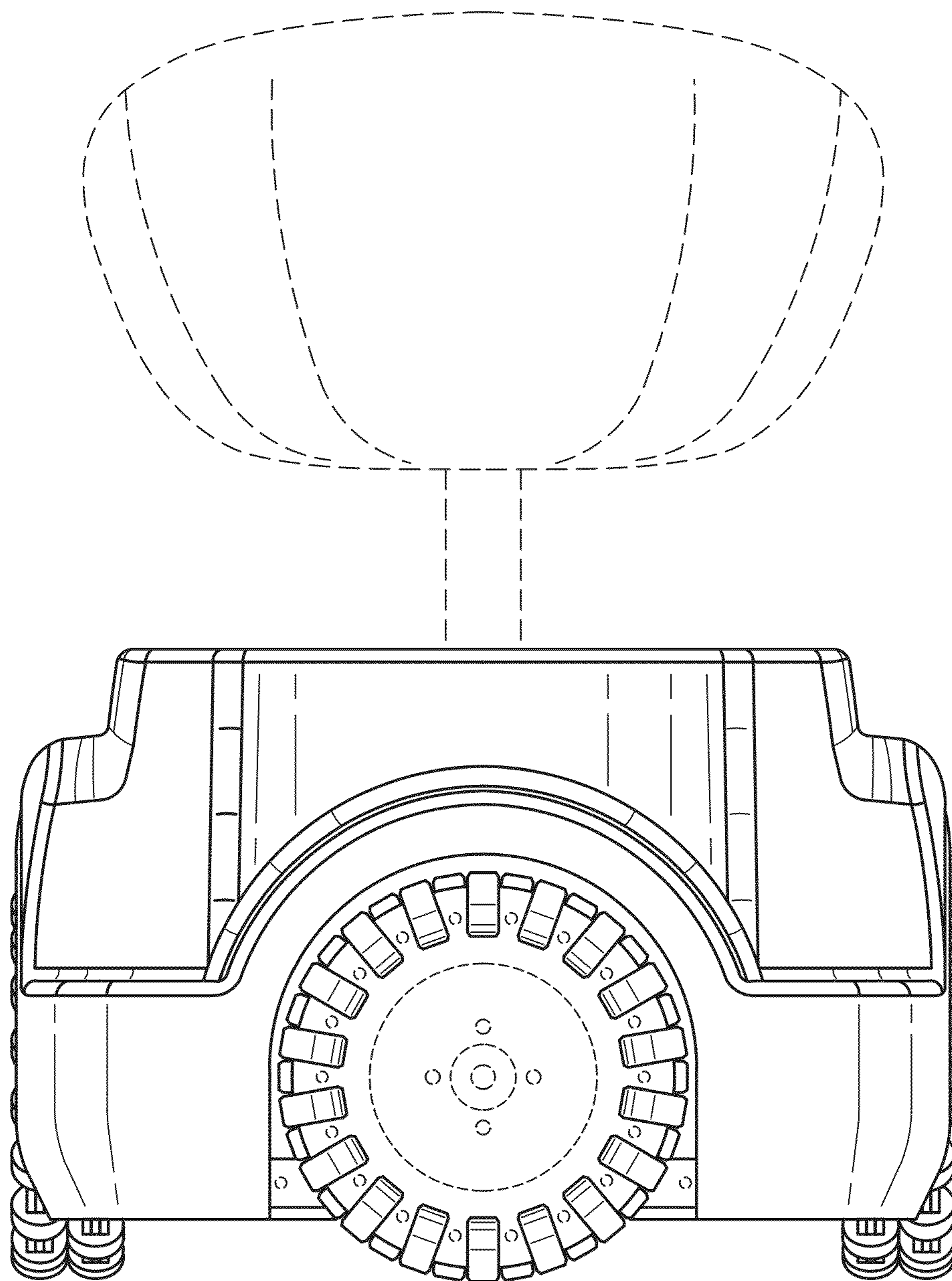


FIG. 3

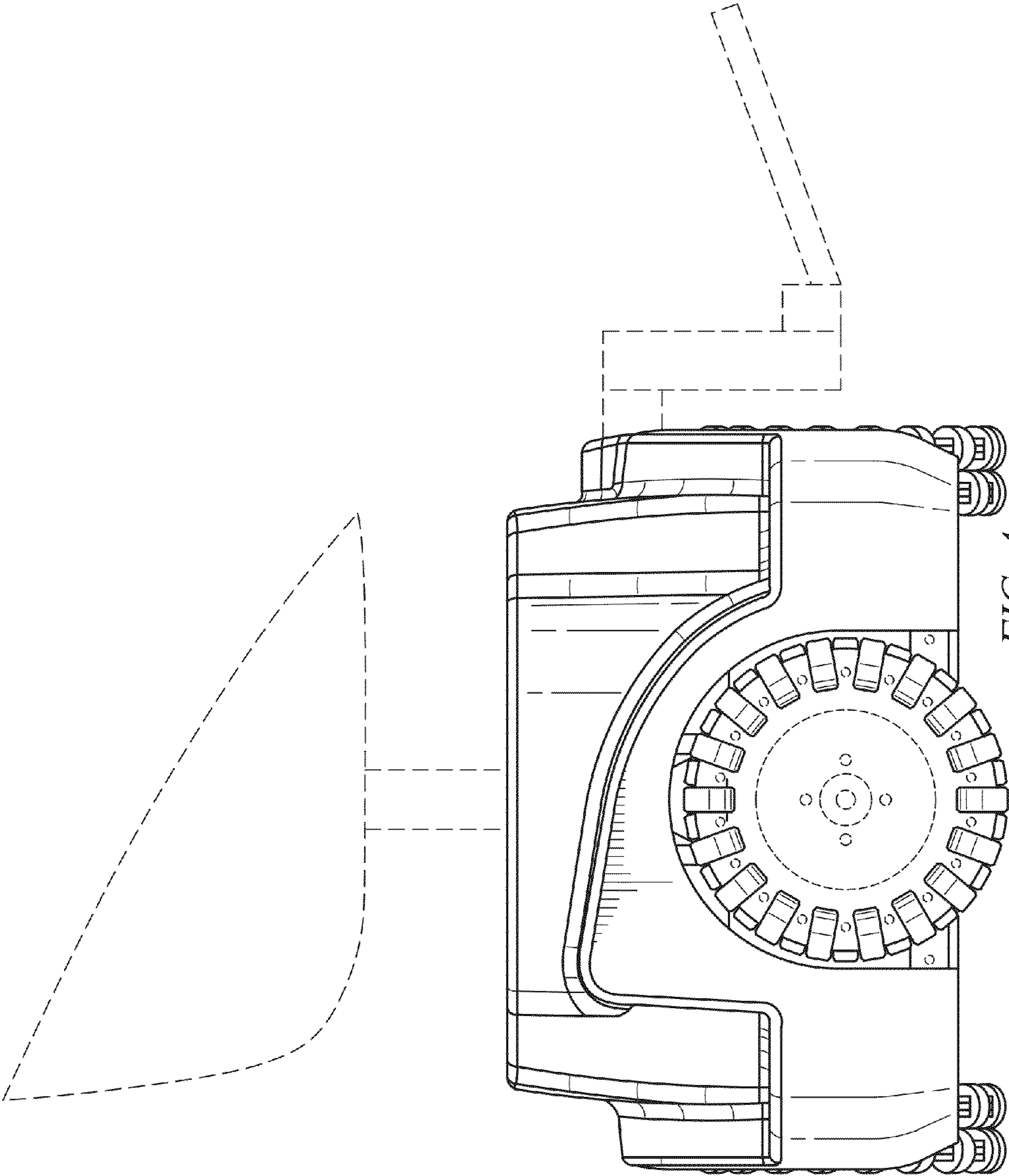


FIG. 4

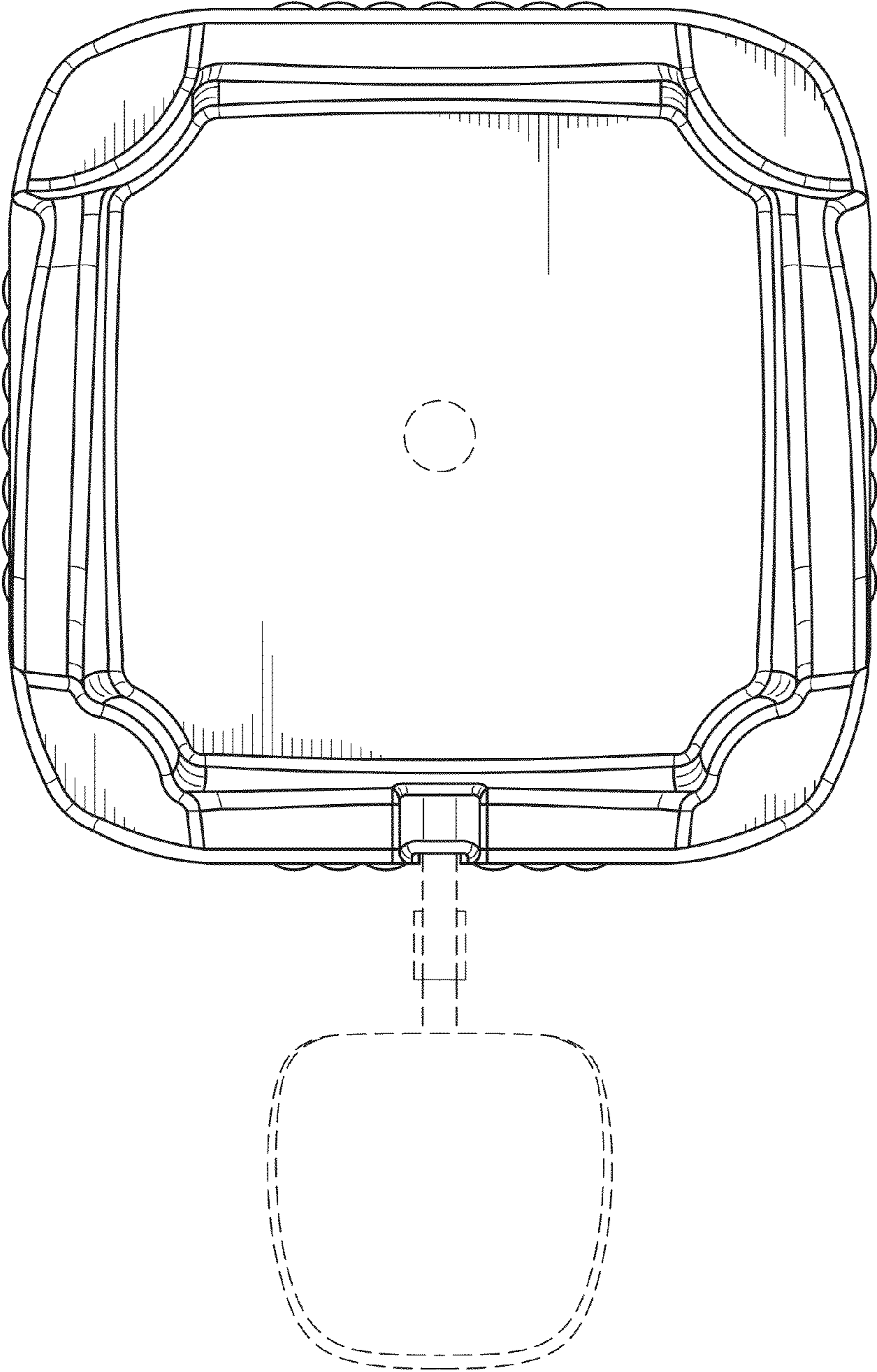


FIG. 5



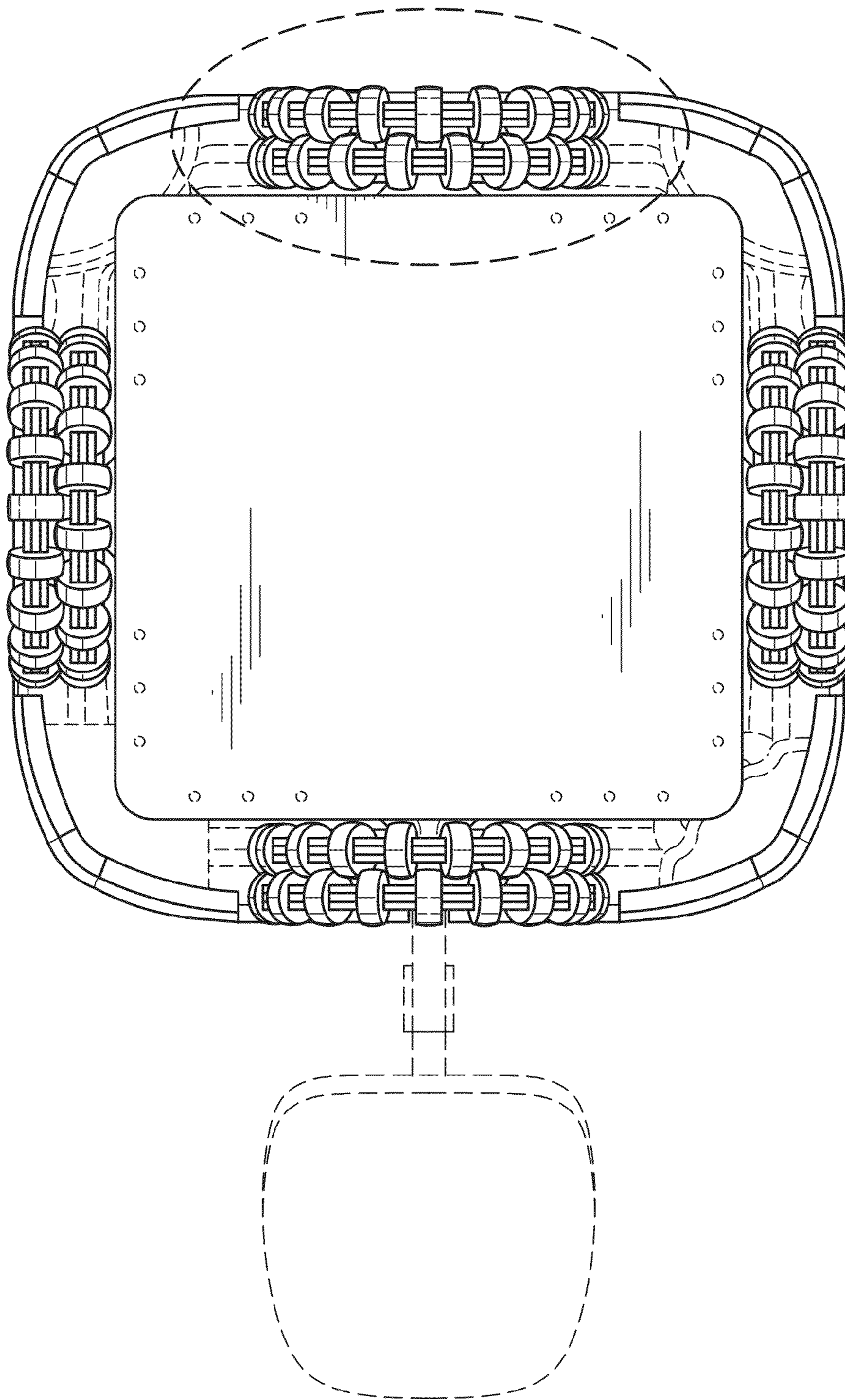


FIG. 6

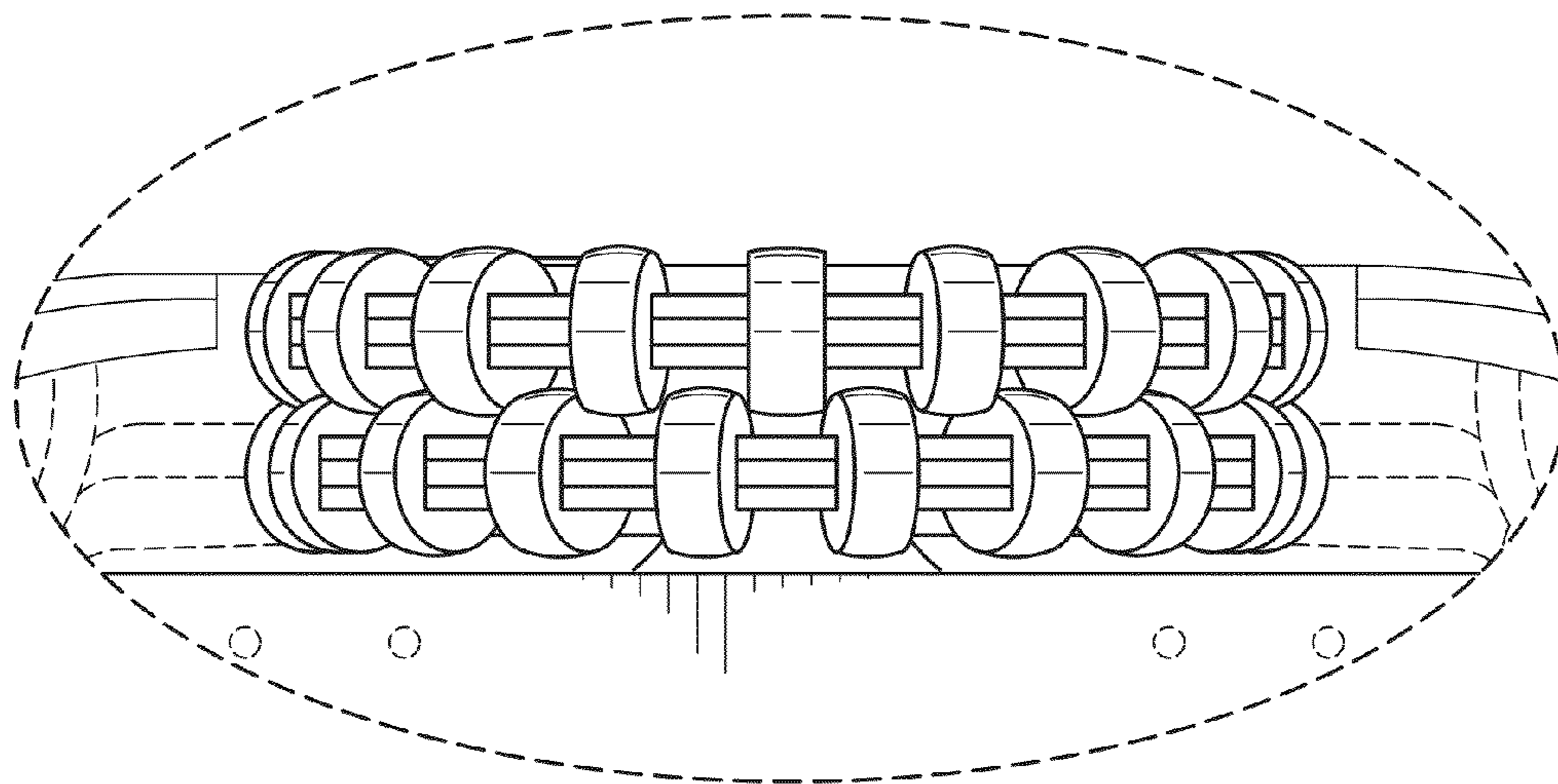


FIG. 7



UNITED STATES PATENT AND TRADEMARK OFFICE  
**CERTIFICATE OF CORRECTION**

PATENT NO. : D719,071 S  
APPLICATION NO. : 29/448044  
DATED : December 9, 2014  
INVENTOR(S) : Merry Lynn Morris et al.

Page 1 of 1

It is certified that error appears in the above-identified patent and that said Letters Patent is hereby corrected as shown below:

On the title page

Item (71) Applicants should read: Merry Lynn Morris, Tampa, FL (US);  
Mark Rumsey, Murrieta, CA (US)

Item (72) Inventors should read: Merry Lynn Morris, Tampa, FL (US)  
Mark Rumsey, Murrieta, CA (US)

Signed and Sealed this  
Twenty-fourth Day of November, 2015



Michelle K. Lee  
*Director of the United States Patent and Trademark Office*