



US00D719066S

(12) **United States Design Patent**
Schramm

(10) **Patent No.:** **US D719,066 S**

(45) **Date of Patent:** **** Dec. 9, 2014**

(54) **MOTOR VEHICLE**

(71) Applicant: **Dr. Ing. h.c. F. Porsche**
Aktiengesellschaft, Stuttgart (DE)

(72) Inventor: **Bastian Schramm, Stuttgart (DE)**

(73) Assignee: **Dr. Ing. h.c. F. Porsche**
Aktiengesellschaft, Stuttgart (DE)

(**) Term: **14 Years**

(21) Appl. No.: **29/468,364**

(22) Filed: **Sep. 30, 2013**

(30) **Foreign Application Priority Data**

Mar. 28, 2013 (EM) 002211656

(51) **LOC (10) Cl.** **12-08**

(52) **U.S. Cl.**
USPC **D12/92**

(58) **Field of Classification Search**
CPC B62D 35/00
USPC D12/86, 90-92; D21/421, 433, 434;
296/181.1, 181.5
See application file for complete search history.

(56) **References Cited**

U.S. PATENT DOCUMENTS

D651,134 S * 12/2011 Kulla et al. D12/92
D651,944 S * 1/2012 Steinmetz D12/92

D661,227 S * 6/2012 Varga D12/92
D661,228 S * 6/2012 Armbruster
D663,239 S * 7/2012 Saracoglu D12/92
D663,240 S * 7/2012 Scheinhutte D12/92
D669,001 S * 10/2012 Varga D12/92
D684,896 S * 6/2013 Scheinhutte D12/92
D701,146 S * 3/2014 Varga D12/92

* cited by examiner

Primary Examiner — Melody N Brown

(74) *Attorney, Agent, or Firm* — Gerald E. Hespos; Michael J. Porco; Matthew T. Hespos

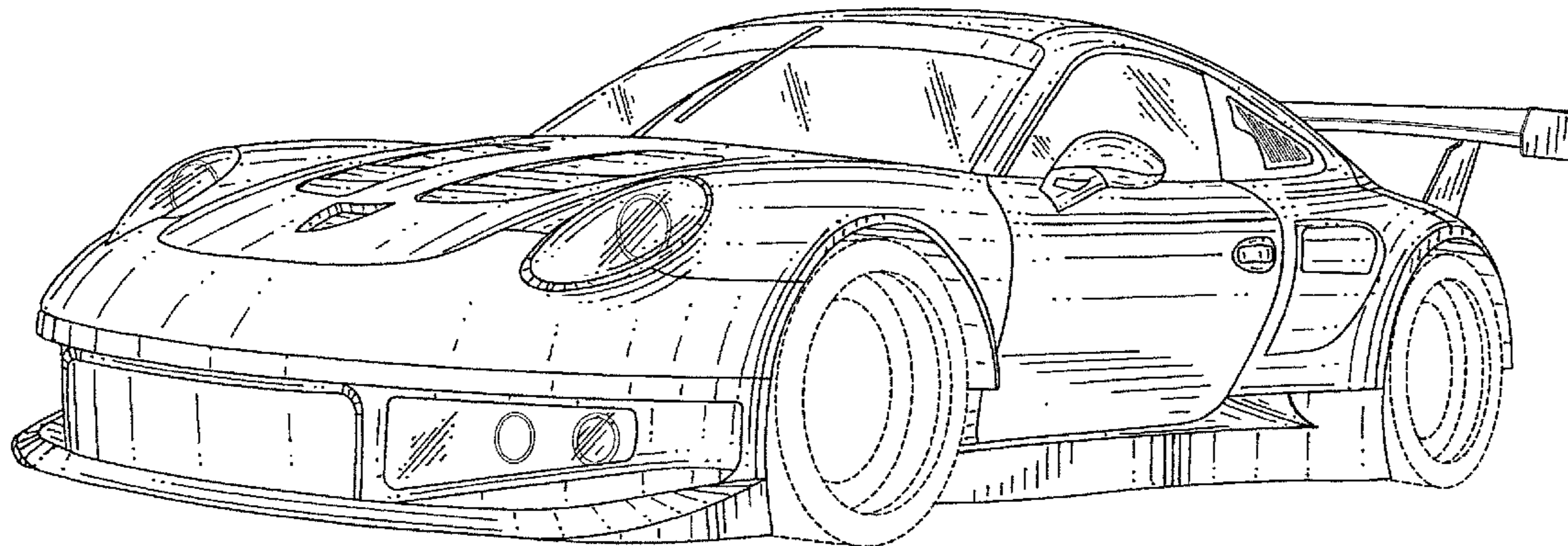
(57) **CLAIM**

The ornamental design of a motor vehicle, as shown and described.

DESCRIPTION

FIG. 1 is a perspective view of a motor vehicle in accordance with my design as view from the front left;
FIG. 2 is a perspective view of the motor vehicle of FIG. 1 as viewed from the front right;
FIG. 3 is a perspective view of the motor vehicle of FIGS. 1 and 2 as viewed from the rear left;
FIG. 4 is a top plan view of the motor vehicle of FIGS. 1-3;
FIG. 5 is a left side elevational view of the motor vehicle of FIGS. 1-4, with the right side elevational view being a mirror image thereof; and,
FIG. 6 is a rear elevation view thereof.

1 Claim, 6 Drawing Sheets



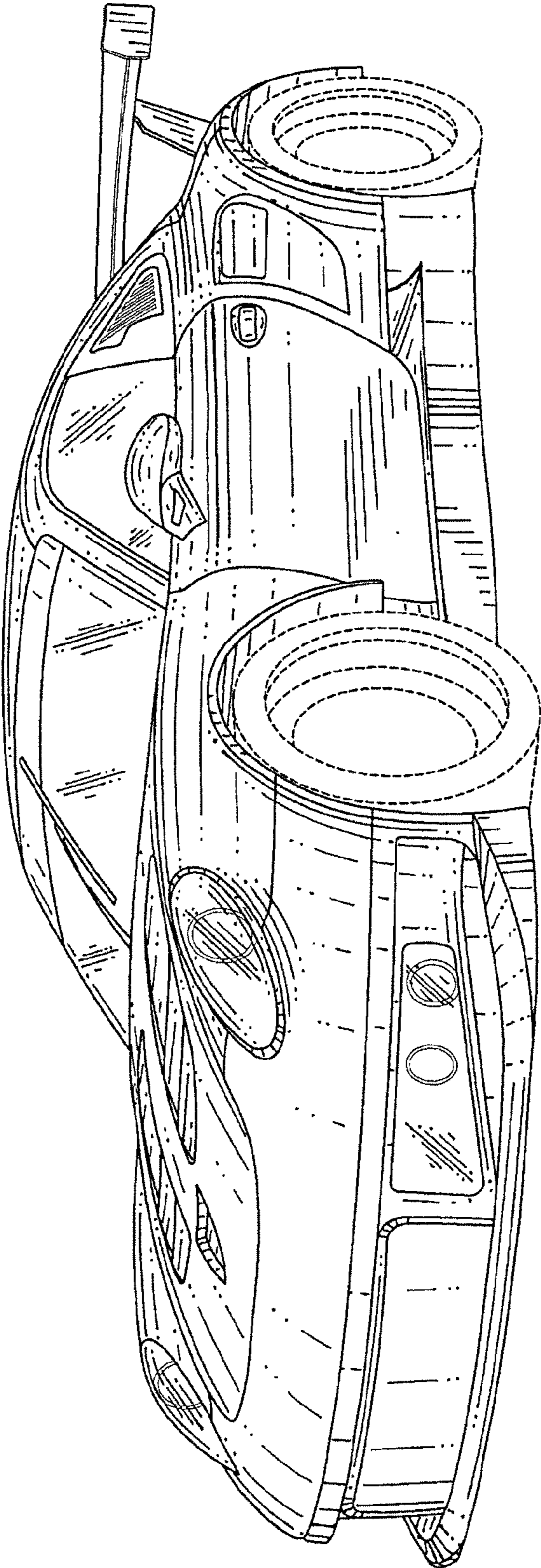


FIG. 1

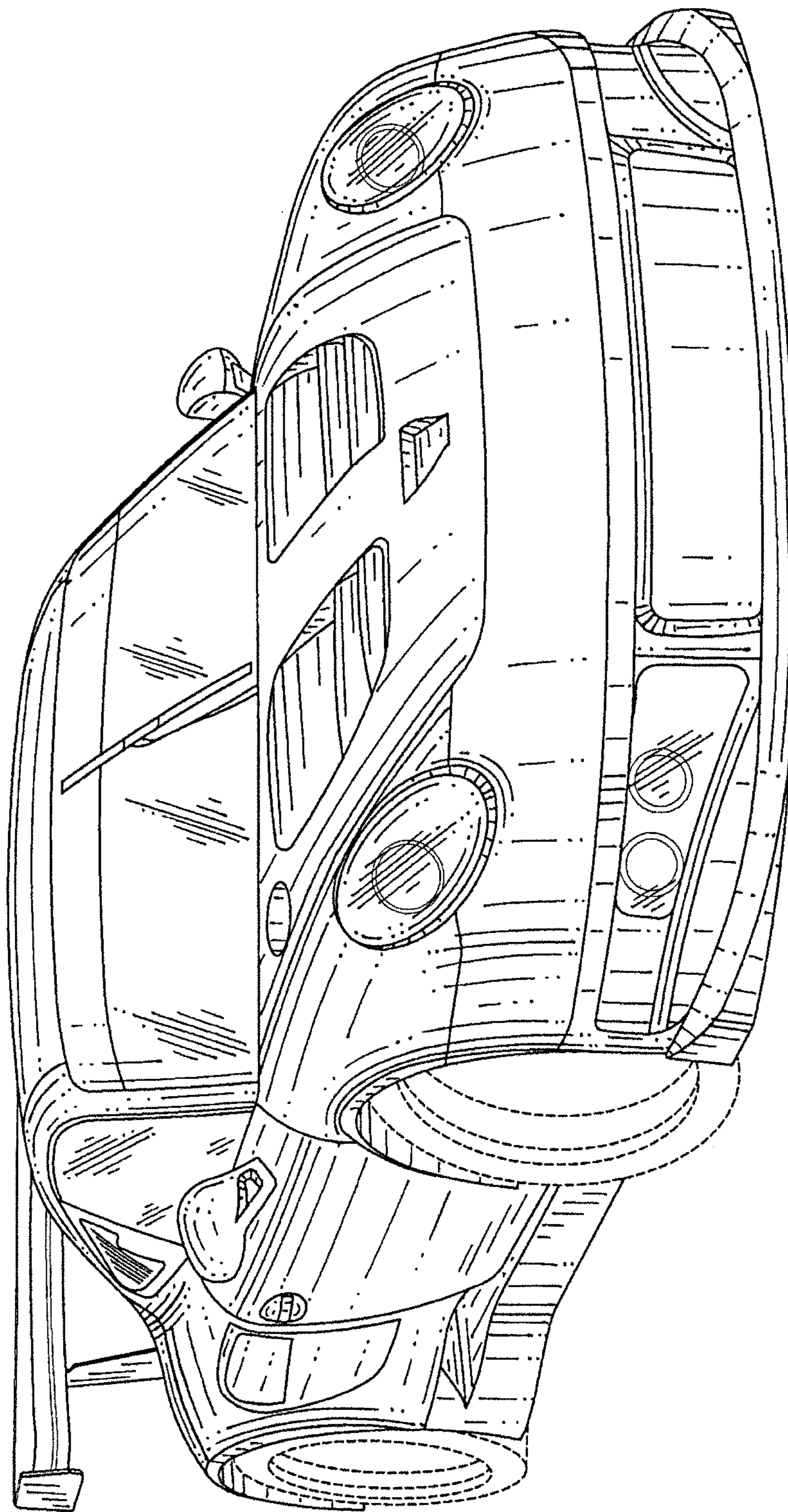


FIG.2

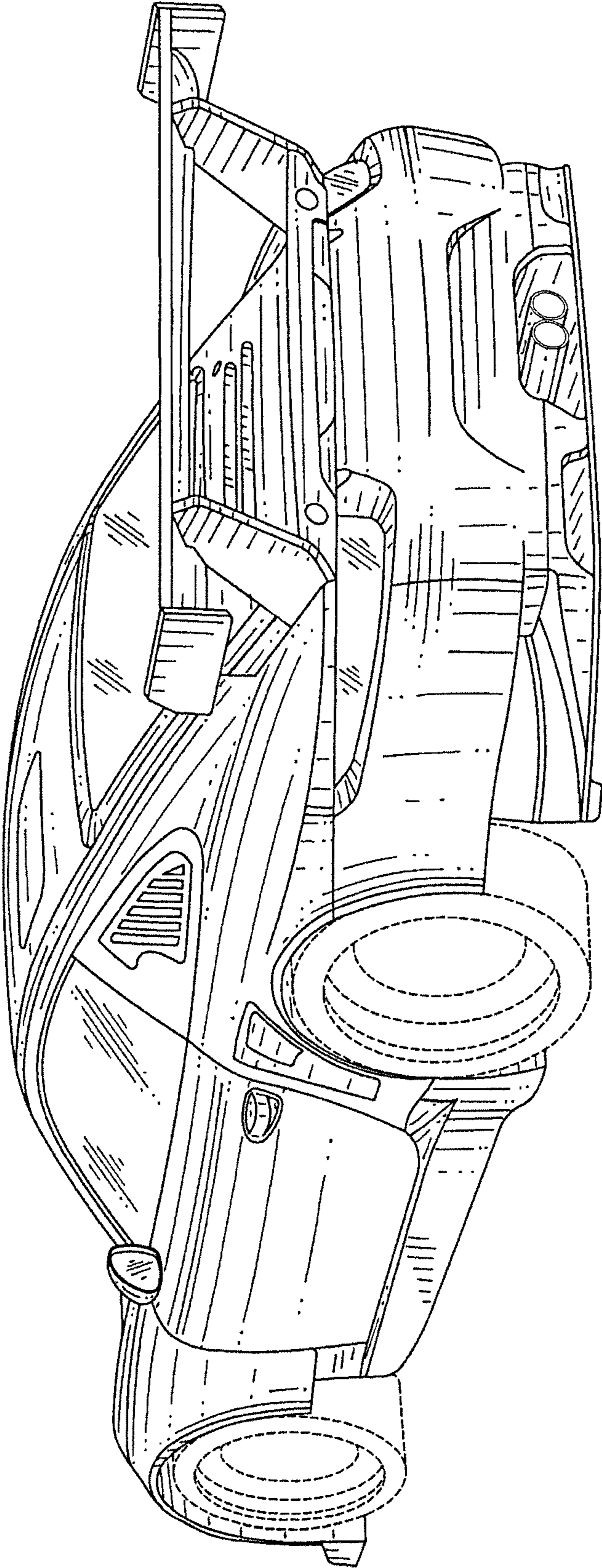


FIG. 3

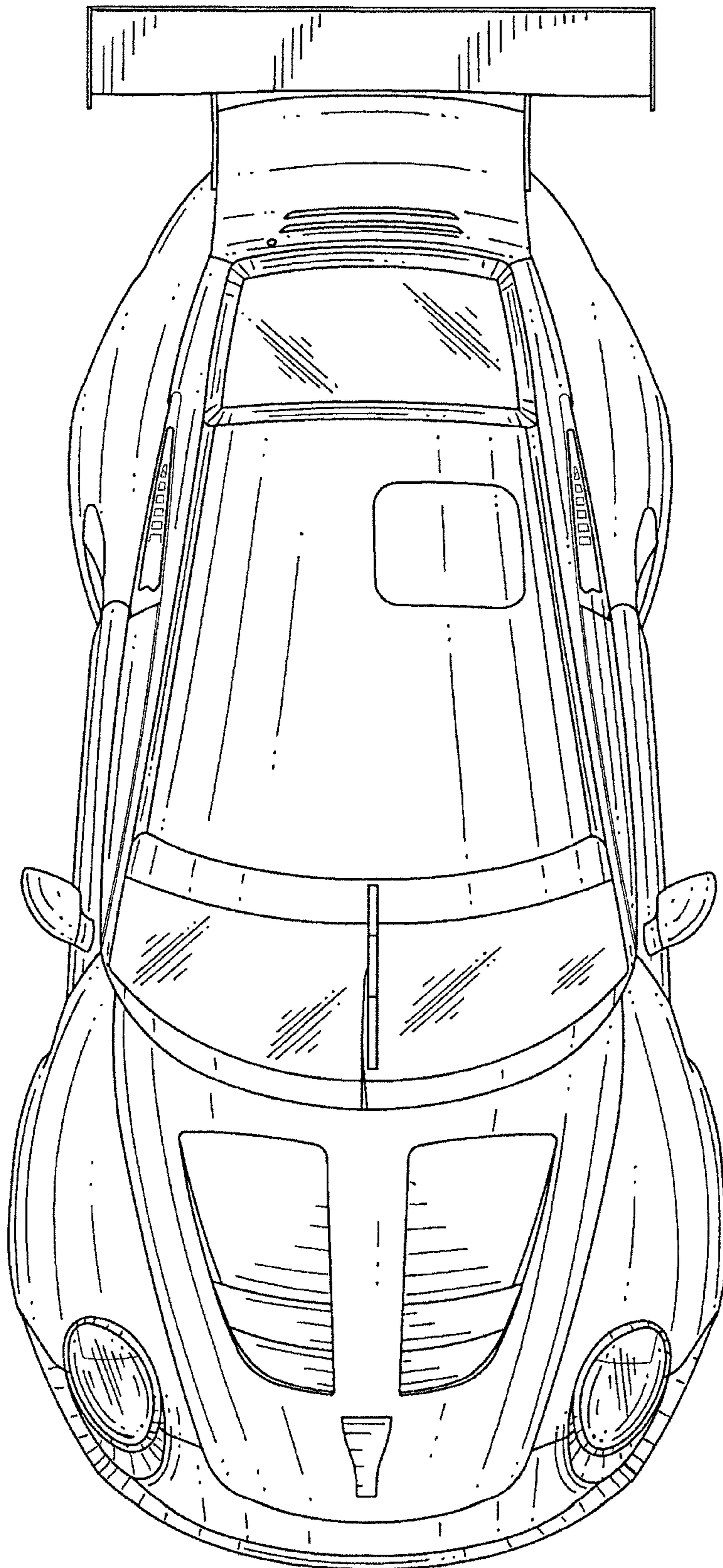


FIG.4

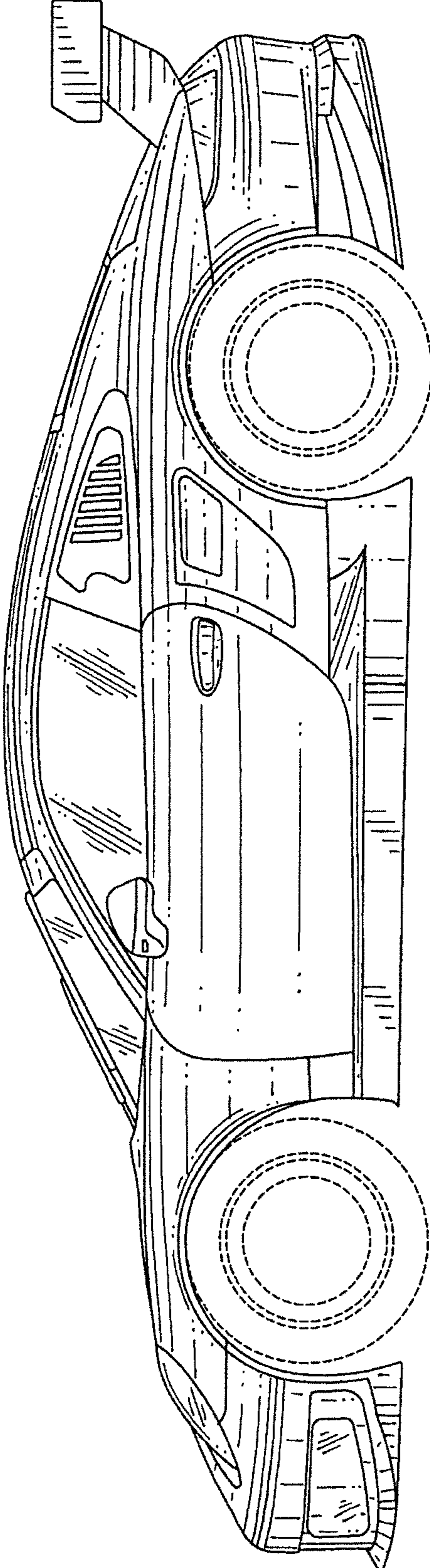


FIG.5

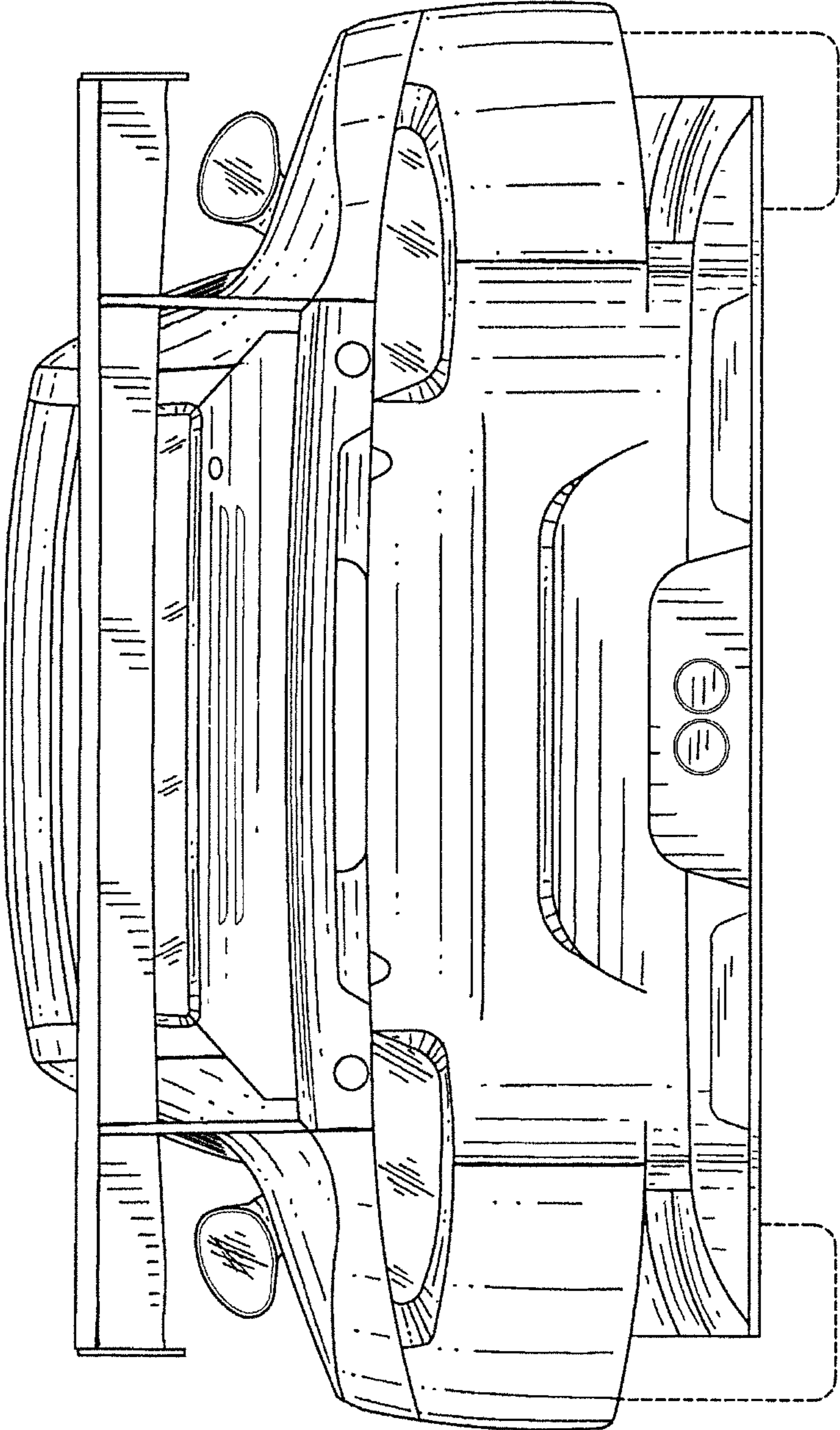


FIG. 6