



US00D719059S

(12) **United States Design Patent**
Wu et al.

(10) **Patent No.:** **US D719,059 S**
(45) **Date of Patent:** **** Dec. 9, 2014**

(54) **DECORATIVE AND CONNECTABLE
DISPLAY PRODUCT**

(71) Applicants: **Yu-Chi Wu**, Taipei (TW); **Hsiu-Mei Wang**, Taipei (TW)

(72) Inventors: **Yu-Chi Wu**, Taipei (TW); **Hsiu-Mei Wang**, Taipei (TW)

(73) Assignee: **Fourstar Group Inc.** (TW)

(**) Term: **14 Years**

(21) Appl. No.: **29/480,717**

(22) Filed: **Jan. 29, 2014**

(51) **LOC (10) Cl.** **11-02**

(52) **U.S. Cl.**
USPC **D11/158**

(58) **Field of Classification Search**
USPC D11/157, 158, 131, 133, 134, 184;
D21/471, 478, 479, 484, 499, 500;
273/241, 271, 276, 290, 153 R, 156,
273/157 R, 160, 153 S; 446/69, 85, 106,
446/108, 111, 112, 116, 117, 120–122, 124,
446/125, 127, 128

See application file for complete search history.

(56) **References Cited**

U.S. PATENT DOCUMENTS

1,455,009	A *	5/1923	Schenk	273/160
3,334,798	A *	8/1967	Pezely, Jr. et al.	206/594
D215,949	S *	11/1969	Markusen	D21/479
3,704,776	A *	12/1972	Collins	206/216
D288,304	S *	2/1987	Grun	D11/131
D322,044	S *	12/1991	Marsar et al.	D11/117
5,124,903	A *	6/1992	Coviello	362/392
D370,562	S *	6/1996	Arini et al.	D3/271.1
D390,498	S *	2/1998	Reichert	D11/144
5,826,873	A *	10/1998	Lavermicocca	273/157 R

6,241,248	B1 *	6/2001	Winter	273/153 S
D473,785	S *	4/2003	Ahmed	D9/600
D491,235	S *	6/2004	Fang	D21/478
D499,151	S *	11/2004	Arabian	D21/480
D506,790	S *	6/2005	Gee	D21/479
D569,301	S *	5/2008	Fotherby	D11/117
7,934,850	B2 *	5/2011	Altamura et al.	362/228
D649,905	S *	12/2011	Gulbinski	D11/157

OTHER PUBLICATIONS

<http://www.dollartree.com/Solar-Powered-Connectable-Dancing-Flower-People/p350909/index.pro> (accessed on Sep. 25, 2014).*

* cited by examiner

Primary Examiner — T. Chase Nelson

Assistant Examiner — Michelle E Wilson

(74) *Attorney, Agent, or Firm* — Salter & Michaelson

(57) **CLAIM**

The ornamental design for a decorative and connectable display product, as shown and described.

DESCRIPTION

FIG. 1 is a perspective view of a decorative and connectable display product;

FIG. 2 is a front perspective view thereof;

FIG. 3 is a rear perspective view thereof;

FIG. 4 is a right side elevational view thereof;

FIG. 5 is a left side elevational view thereof;

FIG. 6 is a front elevational view thereof;

FIG. 7 is a rear elevational view thereof;

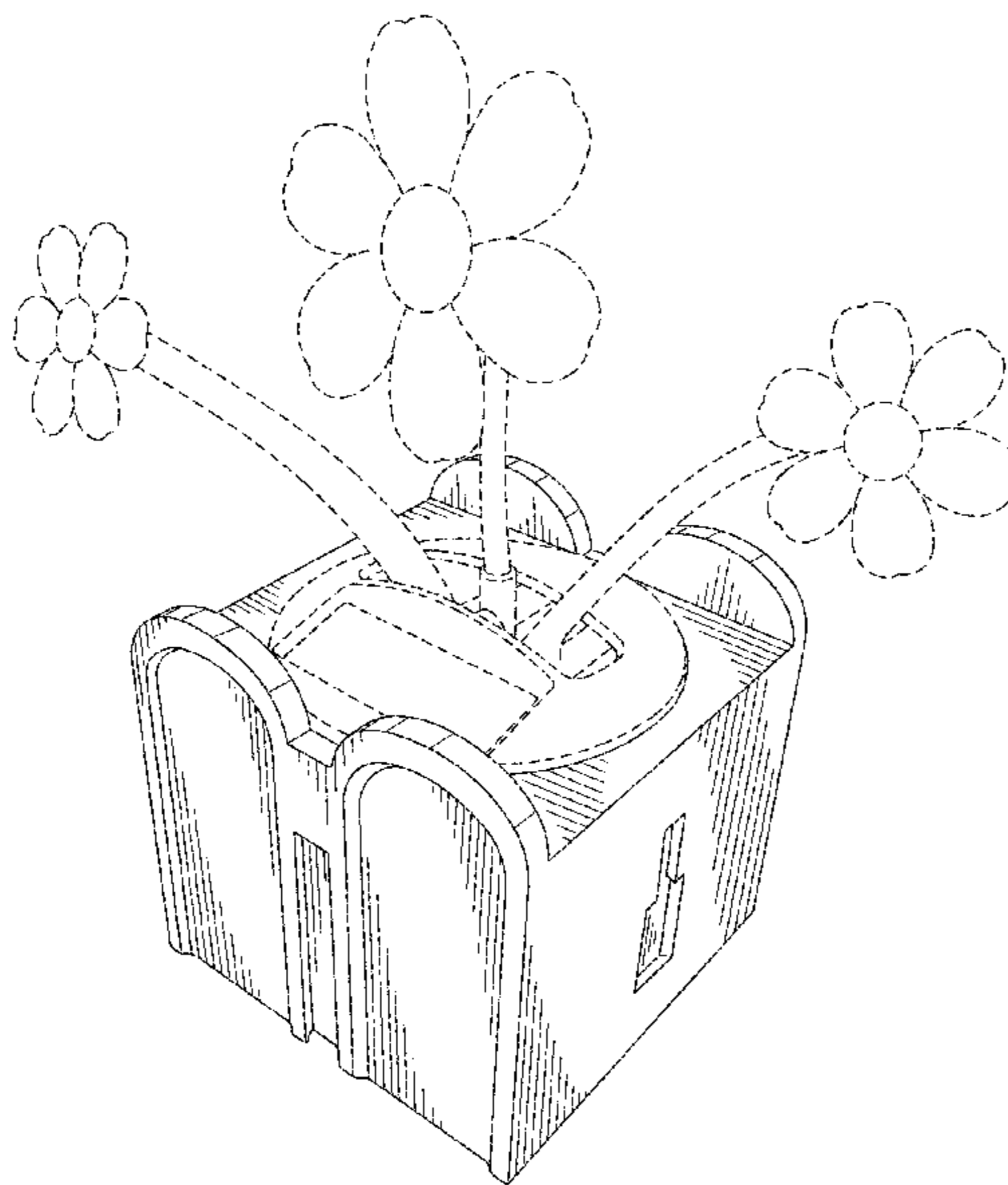
FIG. 8 is a top plan view thereof;

FIG. 9 is a bottom plan view thereof; and,

FIG. 10 is a bottom plan view thereof showing multiple interconnections.

The broken lines depict environmental subject matter only and form no part of the claimed design.

1 Claim, 7 Drawing Sheets



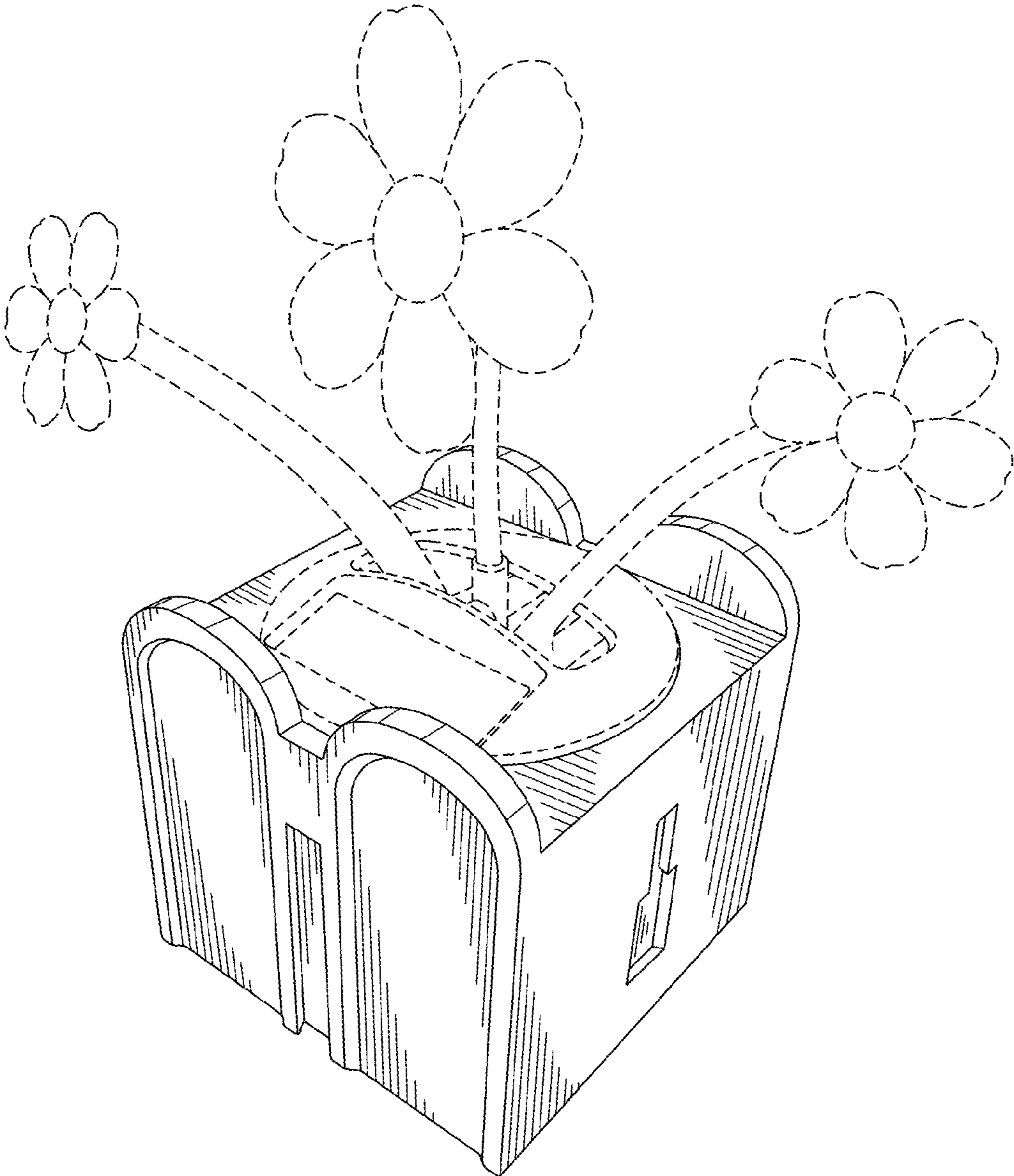


FIG. 1

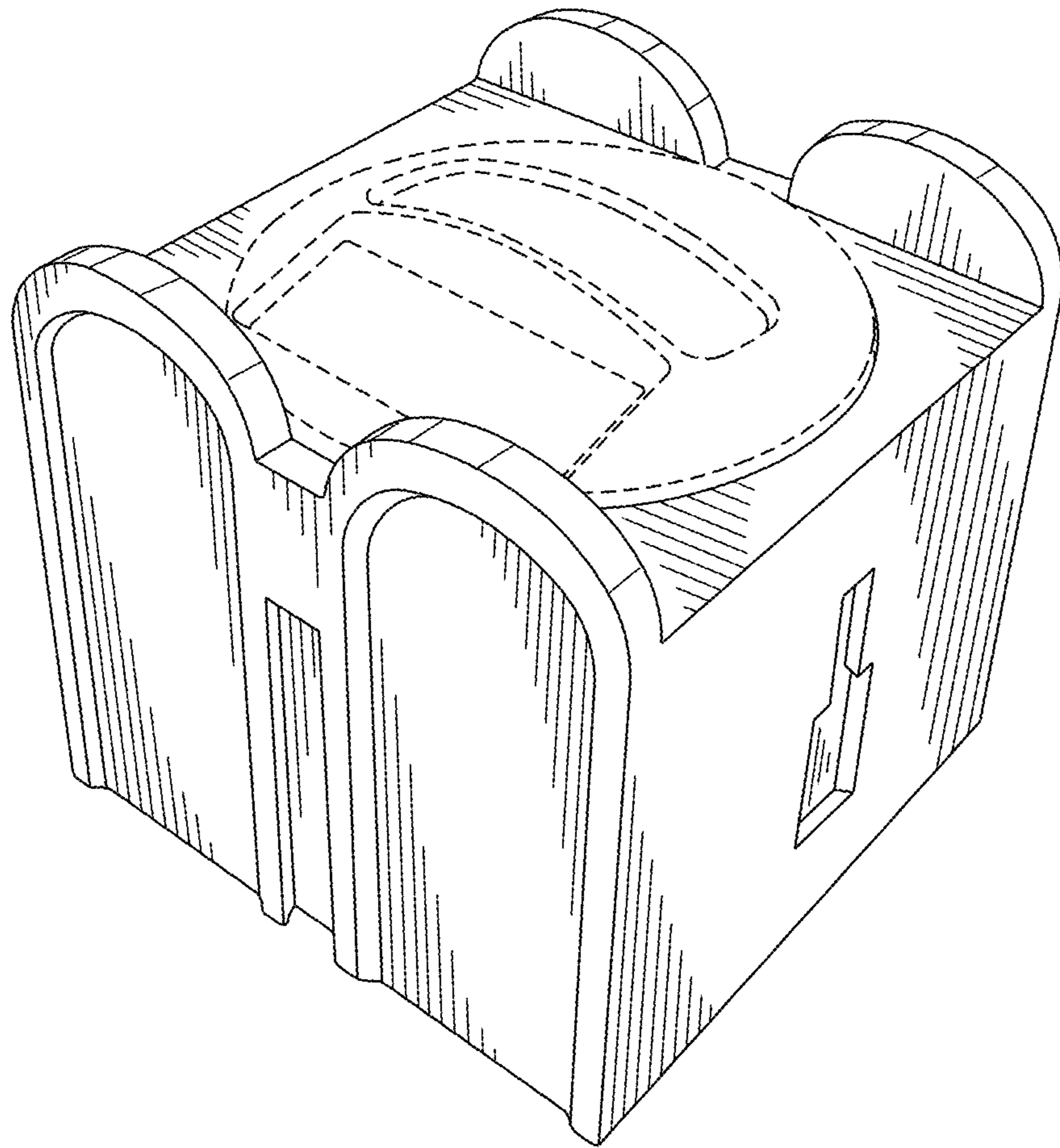


FIG. 2

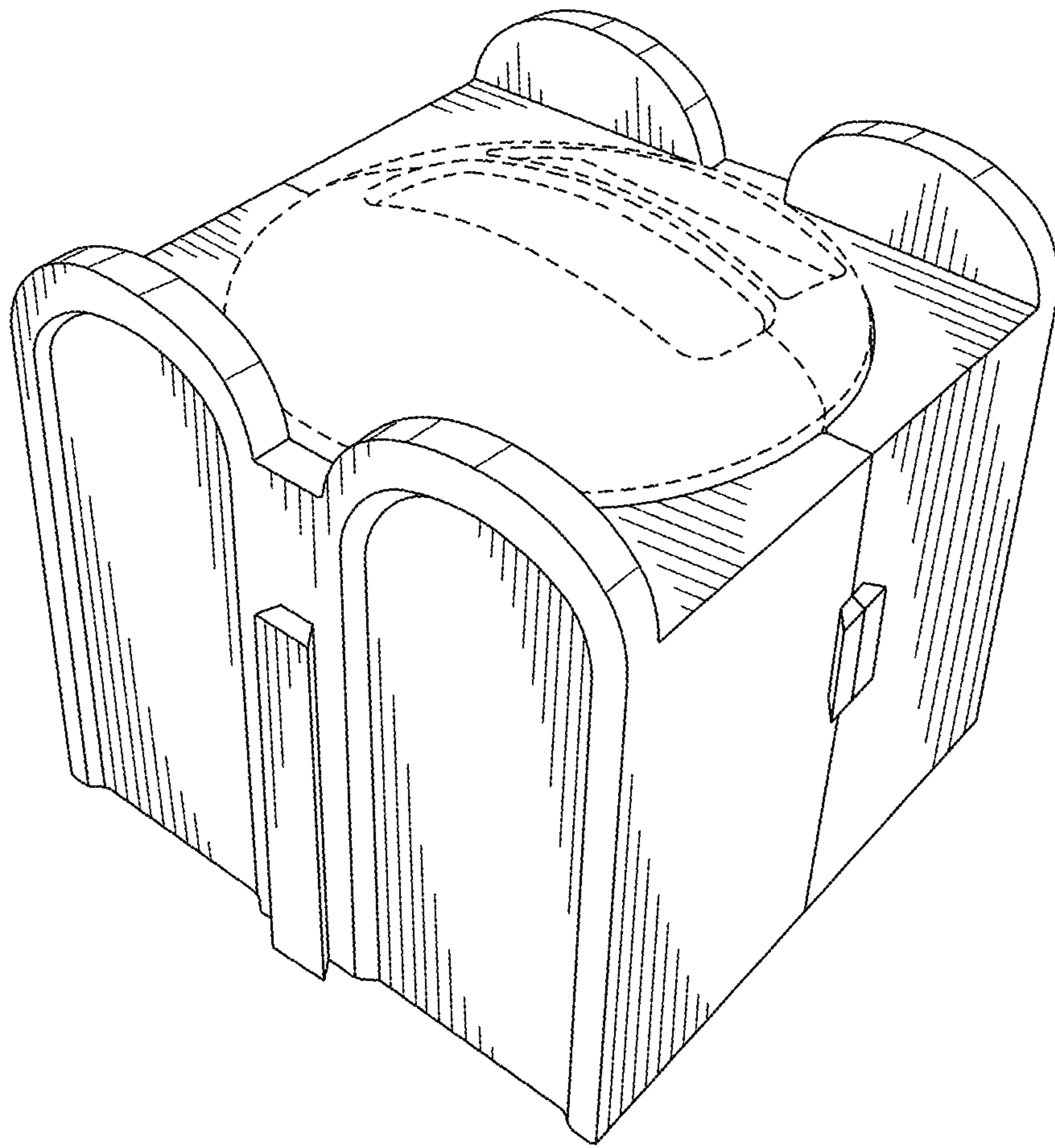


FIG. 3

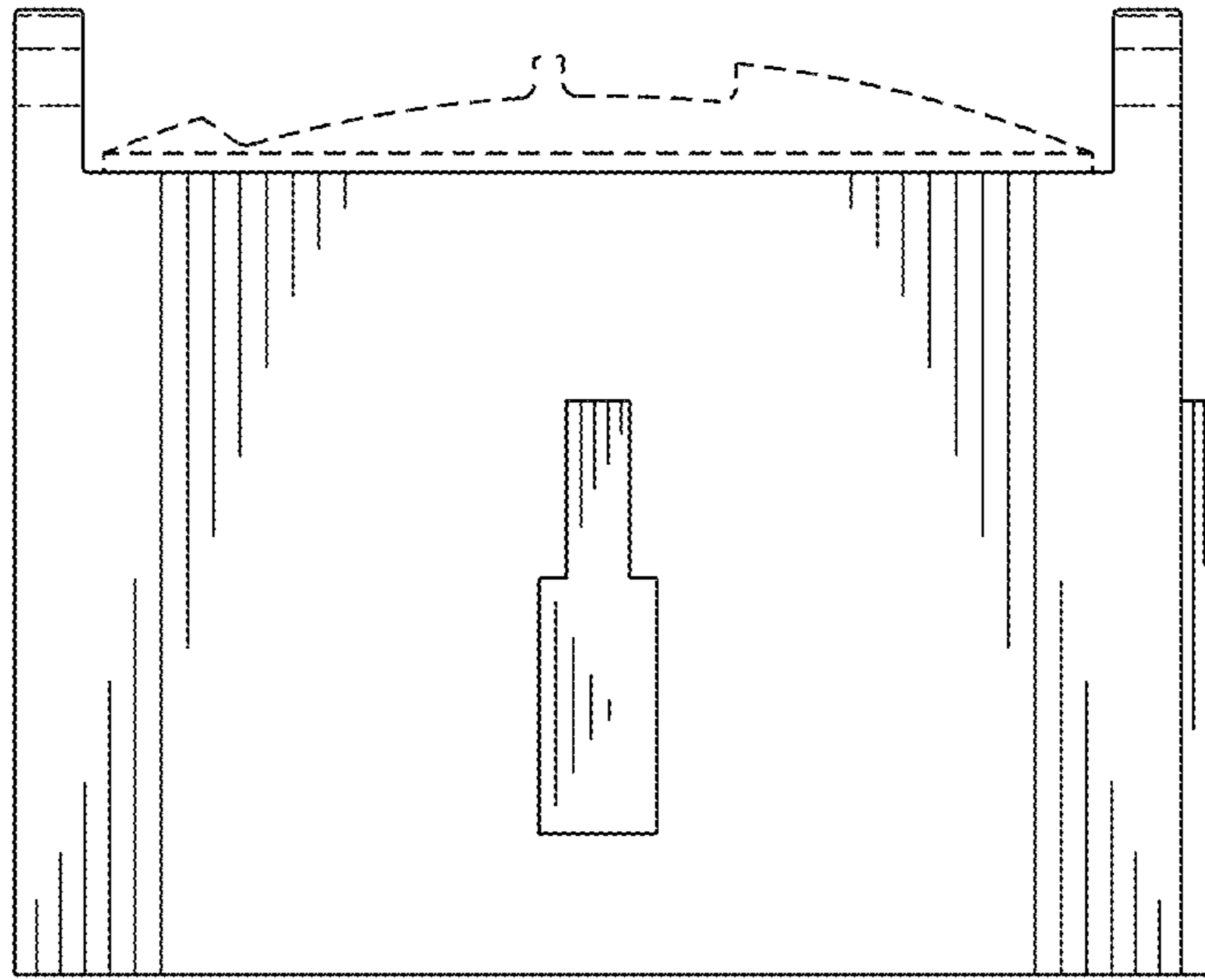


FIG. 4

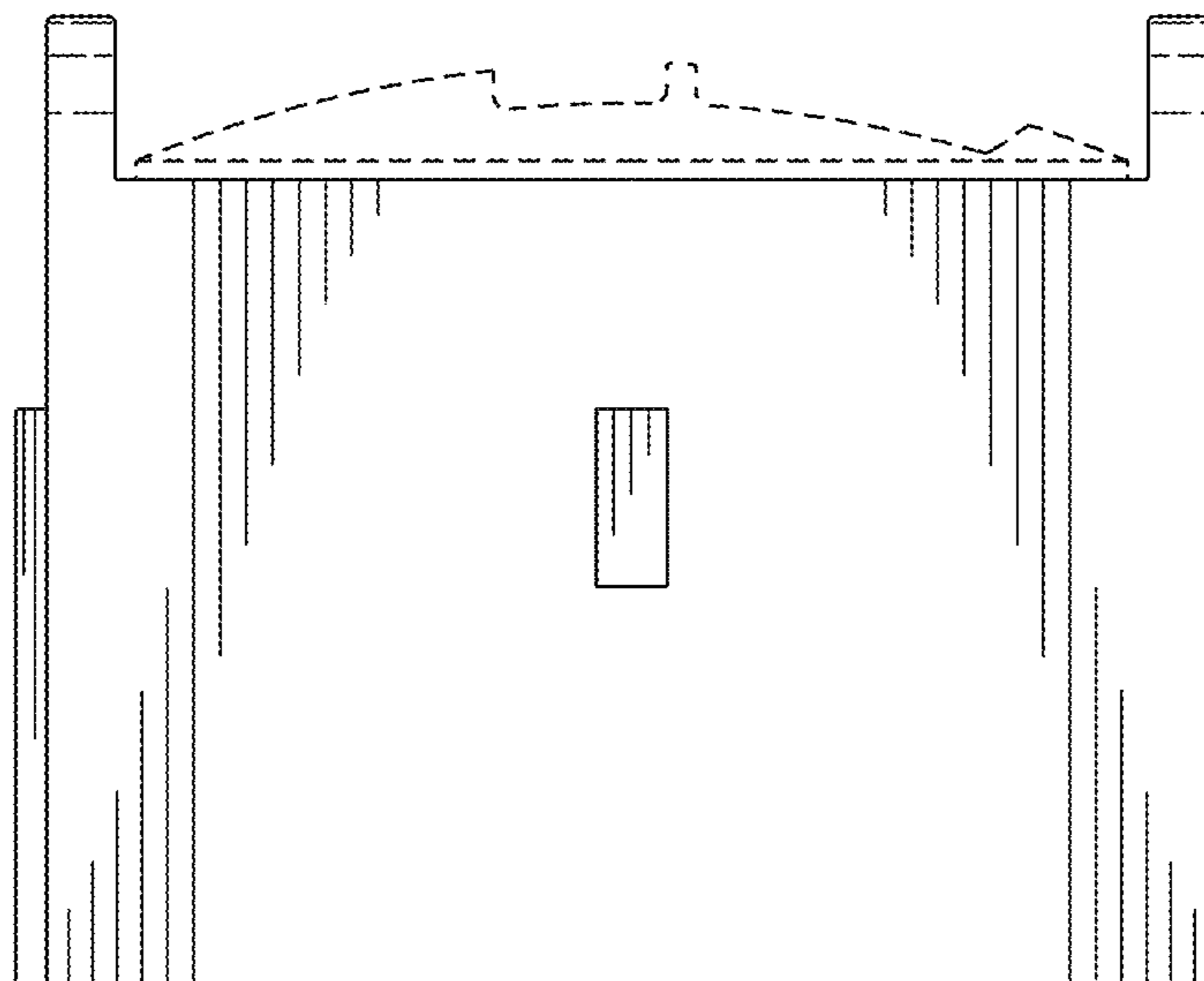


FIG. 5

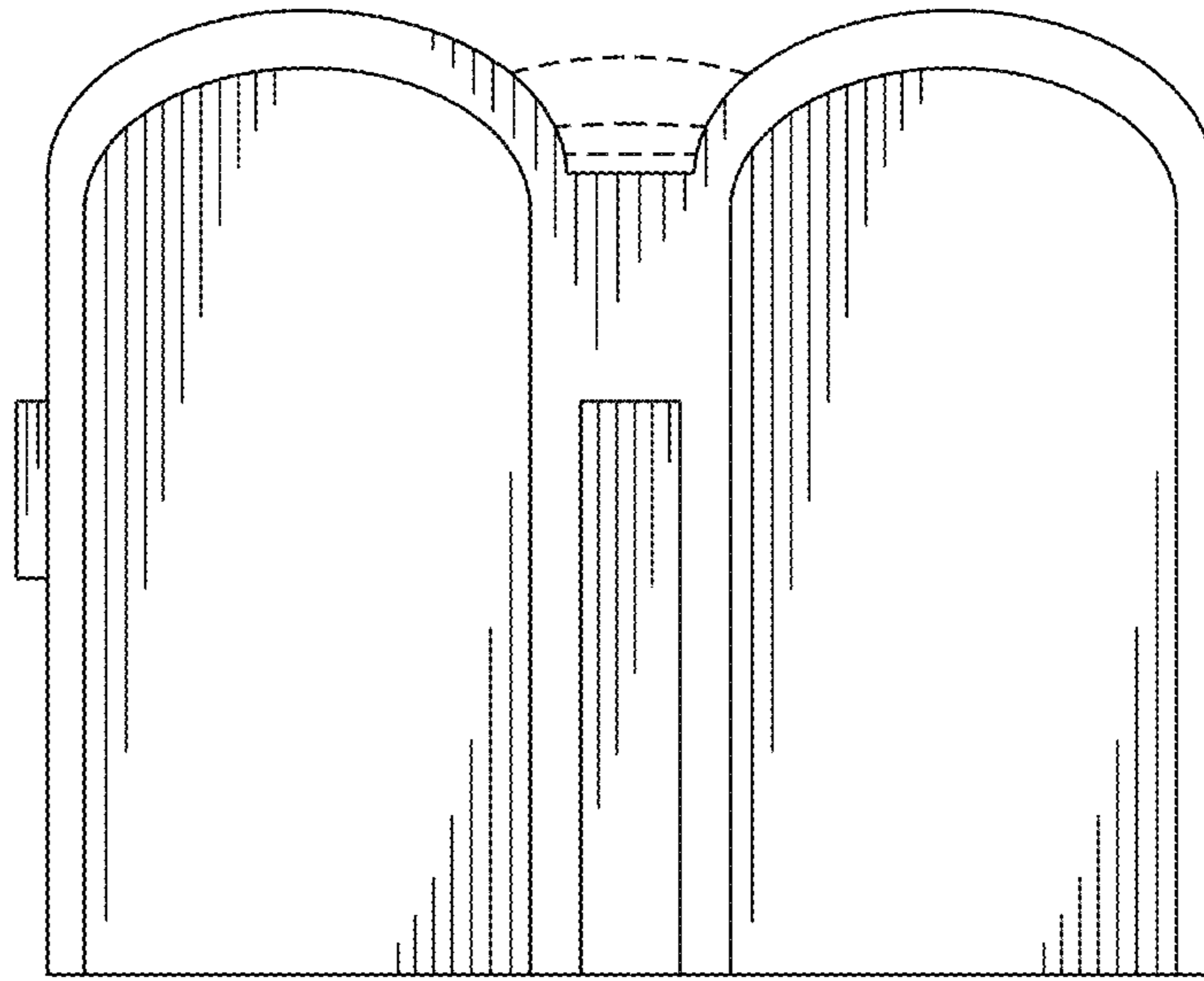


FIG. 6

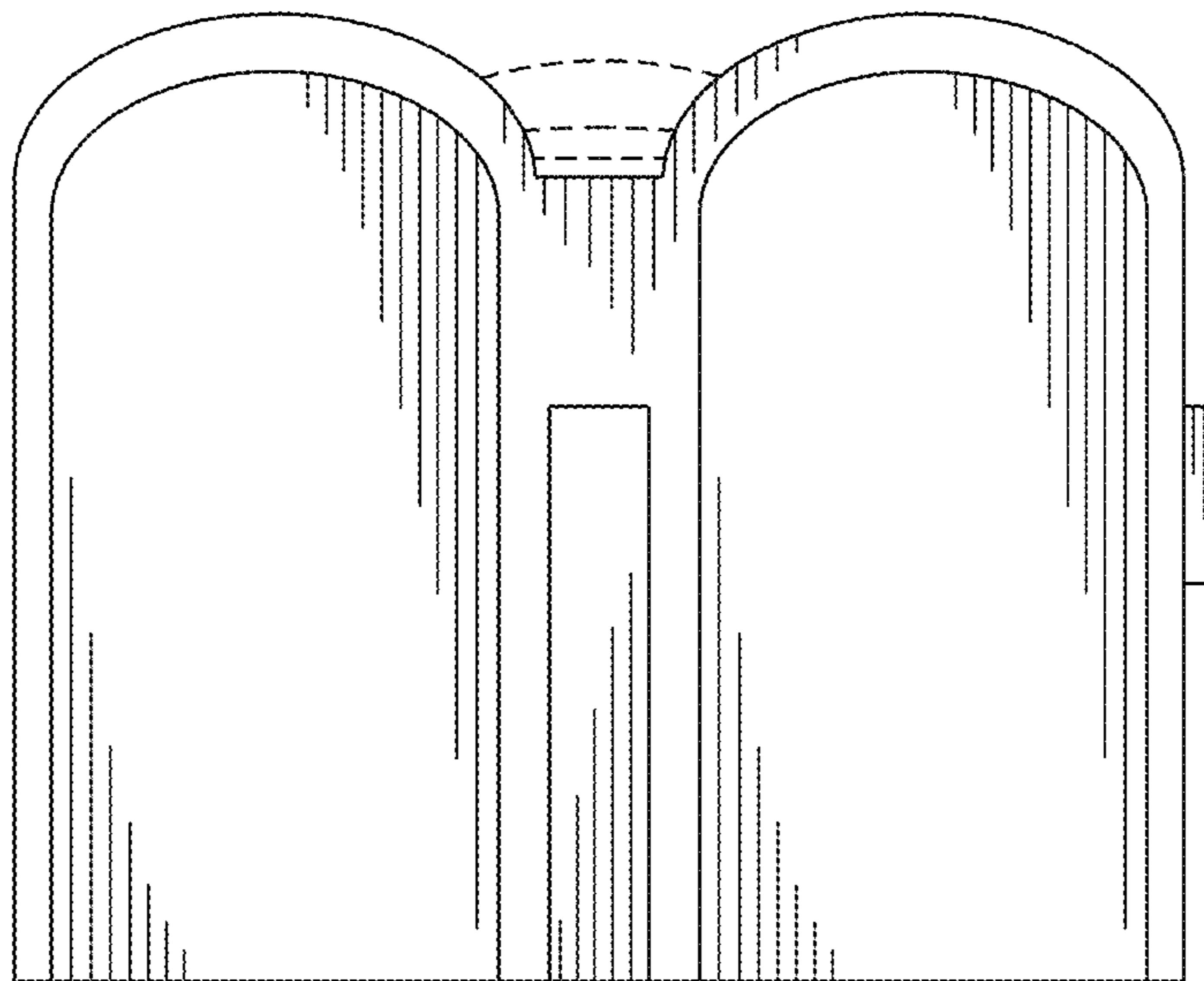


FIG. 7

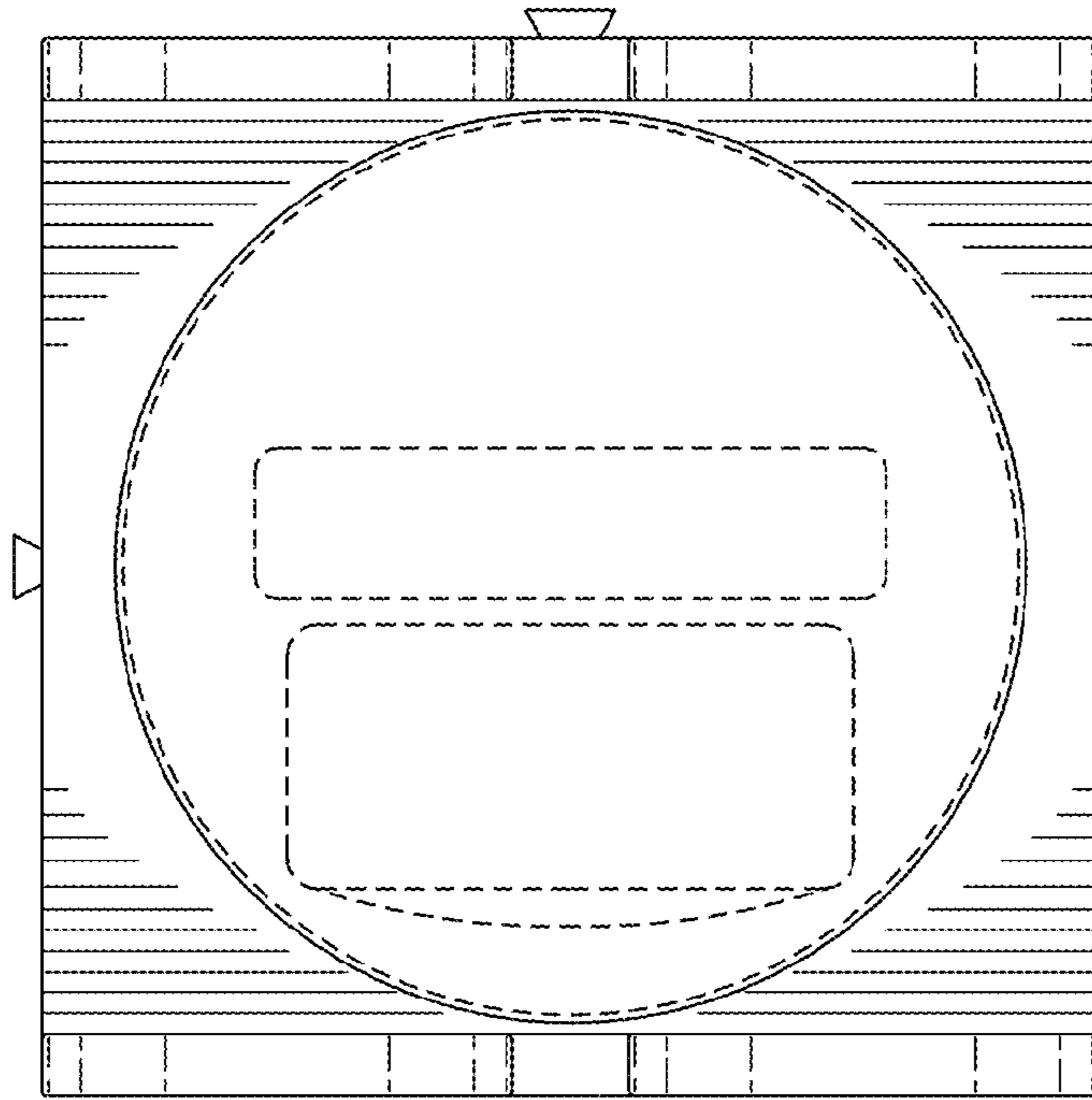


FIG. 8

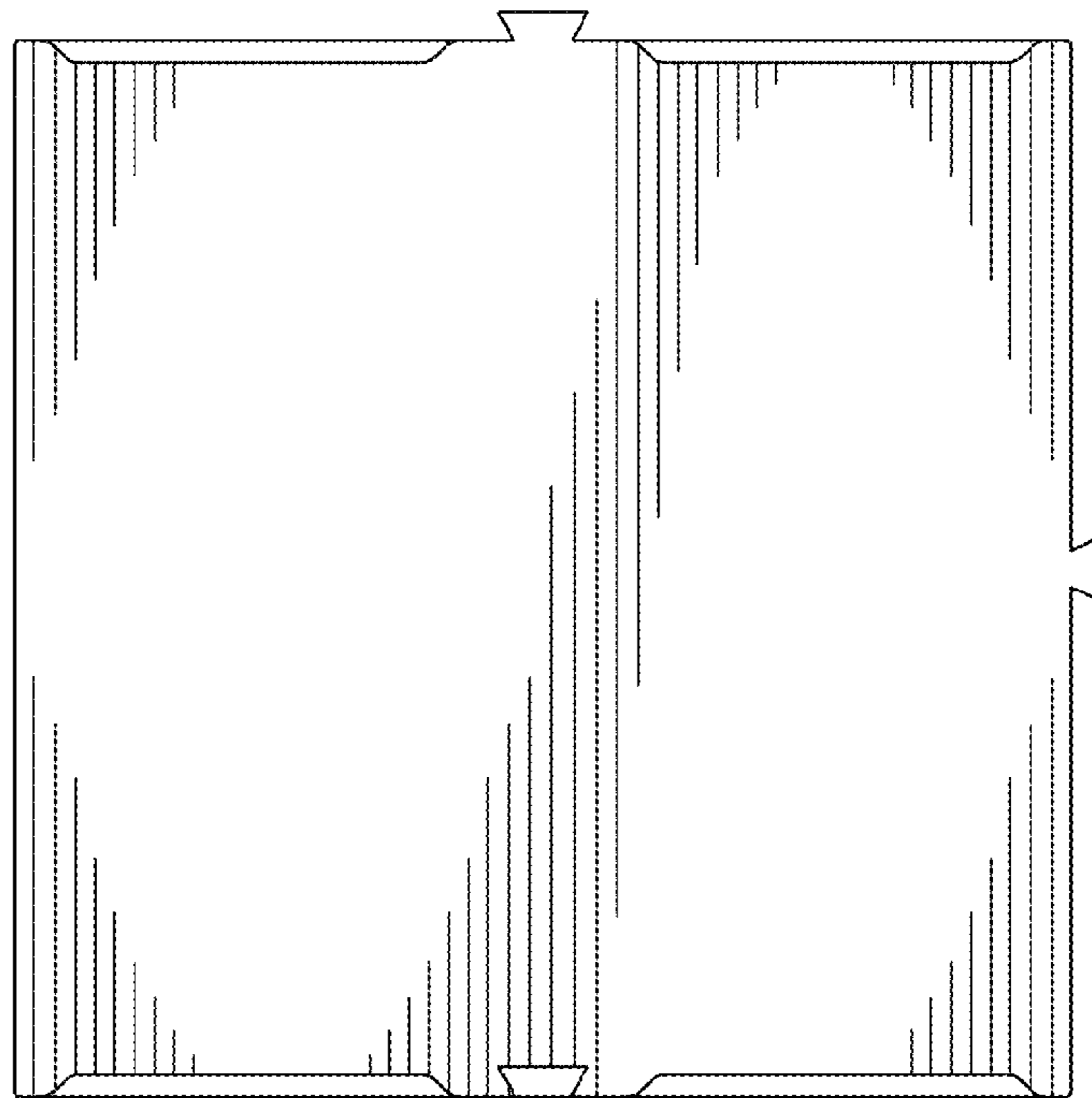


FIG. 9

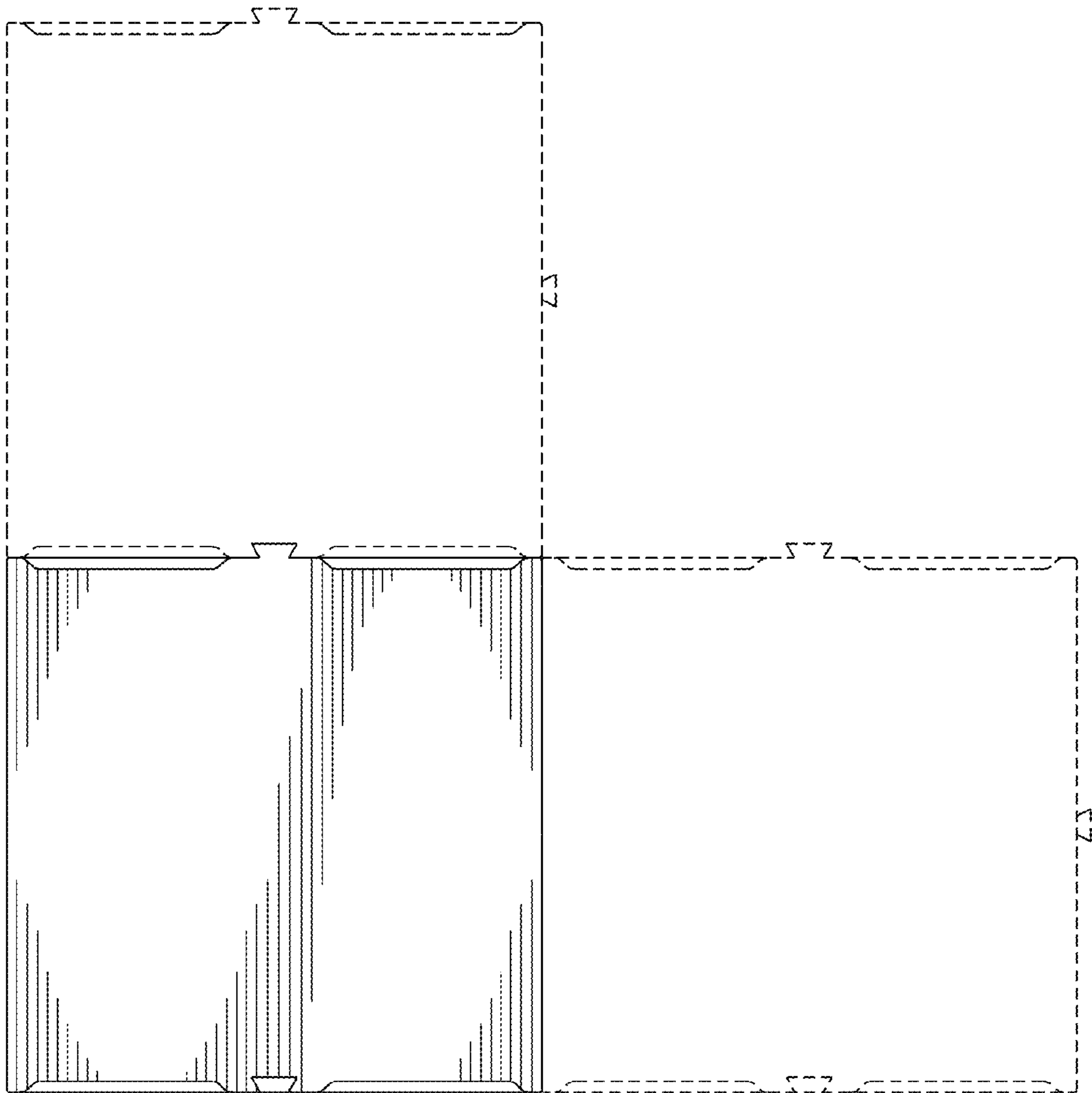


FIG. 10