



US00D719056S

(12) **United States Design Patent**
Thuma et al.

(10) **Patent No.:** **US D719,056 S**
(45) **Date of Patent:** **** Dec. 9, 2014**

- (54) **PLANTER**
- (71) Applicant: **Suncast Technologies, LLC**, Palm Beach Gardens, FL (US)
- (72) Inventors: **Michael Thuma**, La Grange, IL (US); **Gary M. Fischer, Jr.**, Poplar Grove, IL (US); **Michael R. Vogler**, Oswego, IL (US)
- (73) Assignee: **Suncast Technologies, LLC**, Palm Beach Gardens, FL (US)
- (**) Term: **14 Years**
- (21) Appl. No.: **29/473,553**
- (22) Filed: **Nov. 22, 2013**
- (51) **LOC (10) Cl.** **11-02**
- (52) **U.S. Cl.**
USPC **D11/153**
- (58) **Field of Classification Search**
USPC D6/403-405; D9/428, 429; D11/143-156, 164; 47/17, 18, 32.7, 47/33, 39, 41.01, 41.11-41.15, 65, 65.5, 47/66.1, 66.6, 66.7, 67-71; D7/531
See application file for complete search history.

D340,674 S *	10/1993	Carlson	D11/152
D507,152 S *	7/2005	Trombly	D7/536
7,171,781 B1 *	2/2007	Southern	47/66.1
D564,394 S *	3/2008	Schmidt	D11/152
D594,775 S *	6/2009	Moreau	D11/152
D605,502 S *	12/2009	Honda et al.	D9/429
D614,080 S *	4/2010	Woerner	D11/152
D636,701 S *	4/2011	White	D11/152
D701,115 S *	3/2014	Doerr et al.	D9/424
D708,546 S *	7/2014	Hung et al.	D11/151
2008/0216400 A1 *	9/2008	Feng	47/32.7
2010/0199554 A1 *	8/2010	Smaal	47/66.7
2013/0269250 A1 *	10/2013	Hung	47/65.5

* cited by examiner

Primary Examiner — Elizabeth Albert
(74) *Attorney, Agent, or Firm* — McHale & Slavin, P.A.

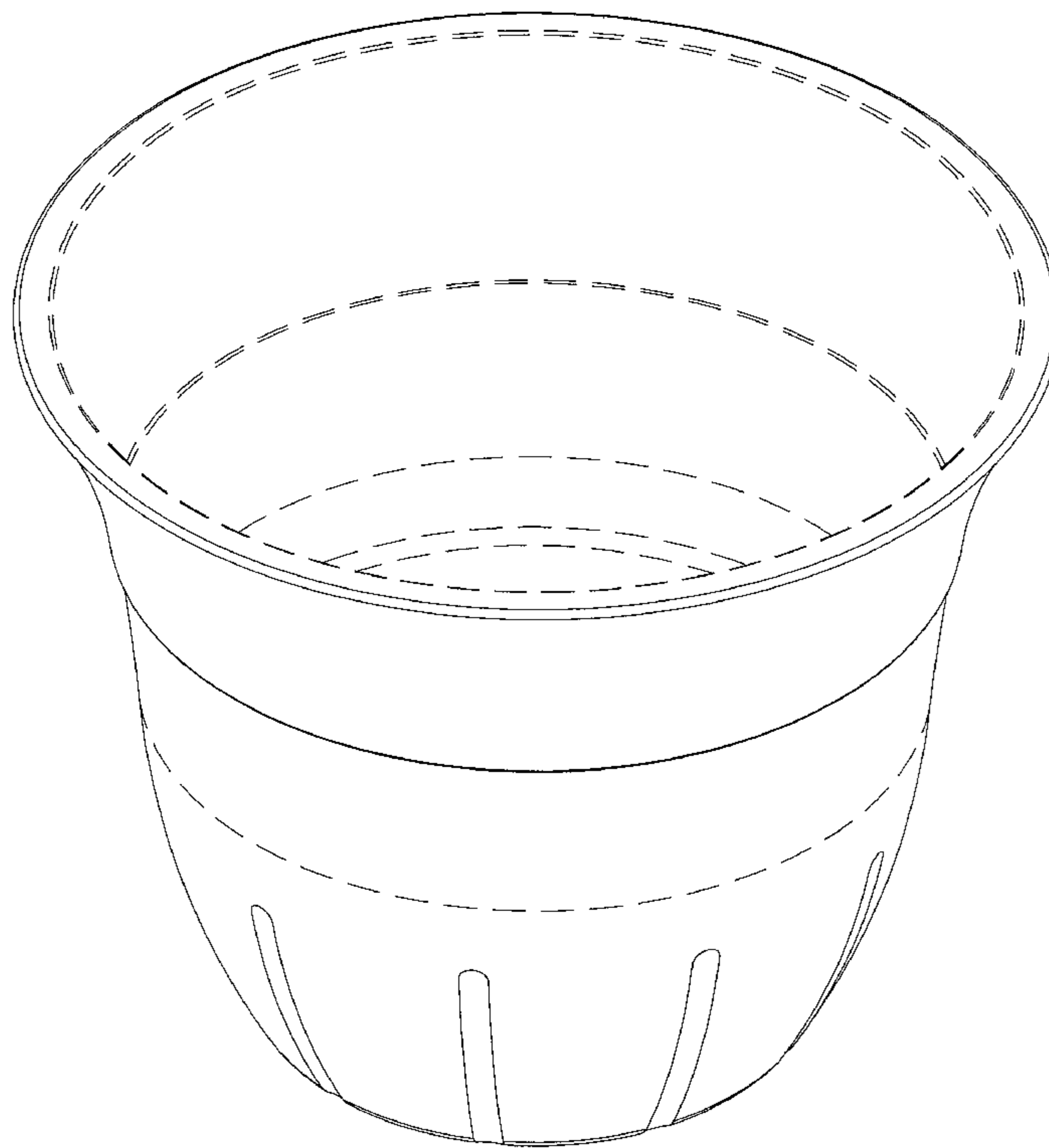
(57) **CLAIM**
The ornamental design for a planter, as shown and described.

DESCRIPTION

FIG. 1 is a front right perspective view of the planter of the present invention;
FIG. 2 is a front view, the rear view being mirror image thereof;
FIG. 3 is a left side view, the right side view being a mirror image thereof;
FIG. 4 is a top view thereof; and,
FIG. 5 is a bottom view thereof.
The portions of the inside in broken lines are included for the purpose of showing portions that form no part of the claimed design.

- (56) **References Cited**
U.S. PATENT DOCUMENTS
D199,336 S * 10/1964 Wanderer D9/429
D255,339 S * 6/1980 Christian D11/152

1 Claim, 5 Drawing Sheets



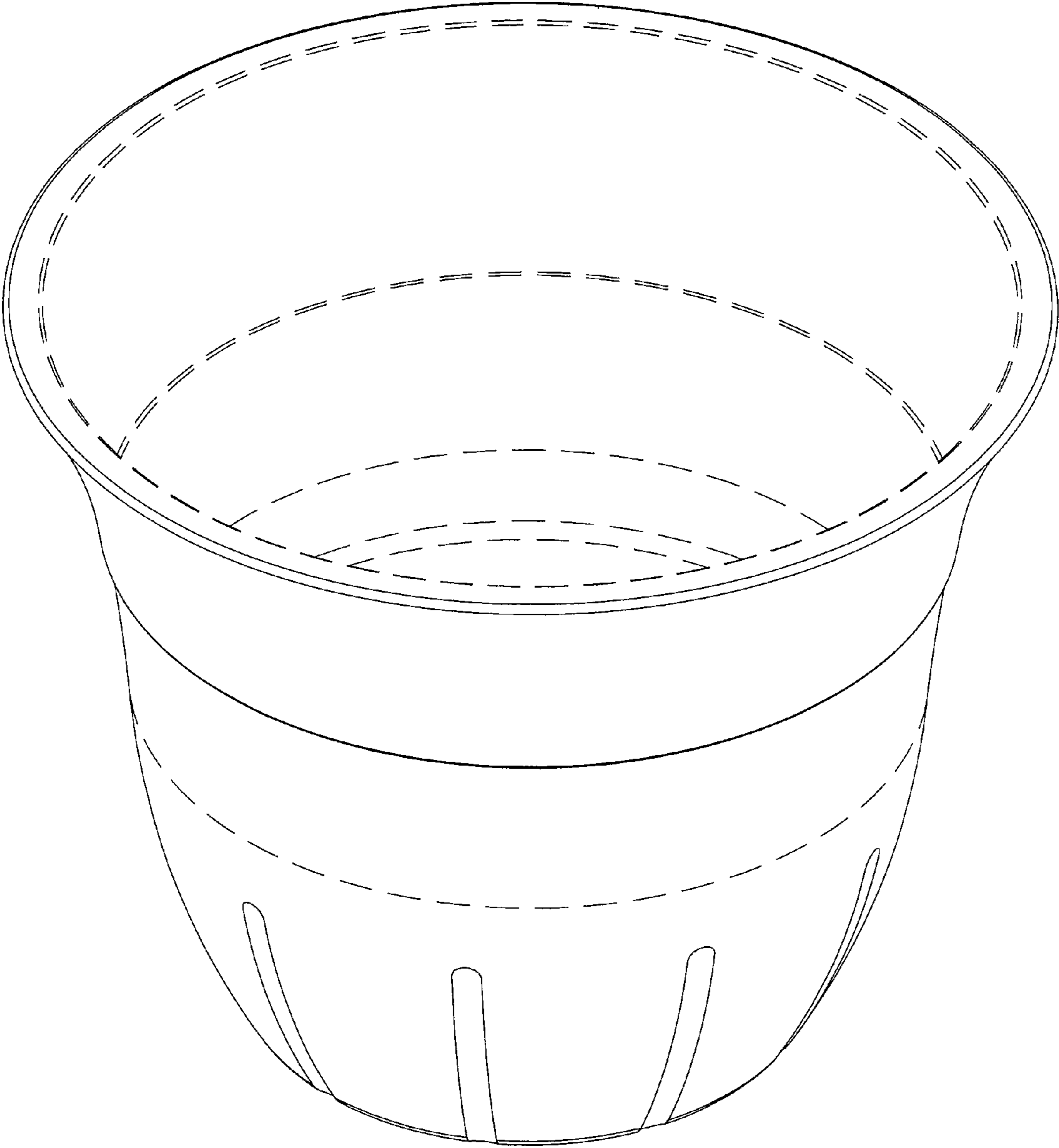


Fig. 1

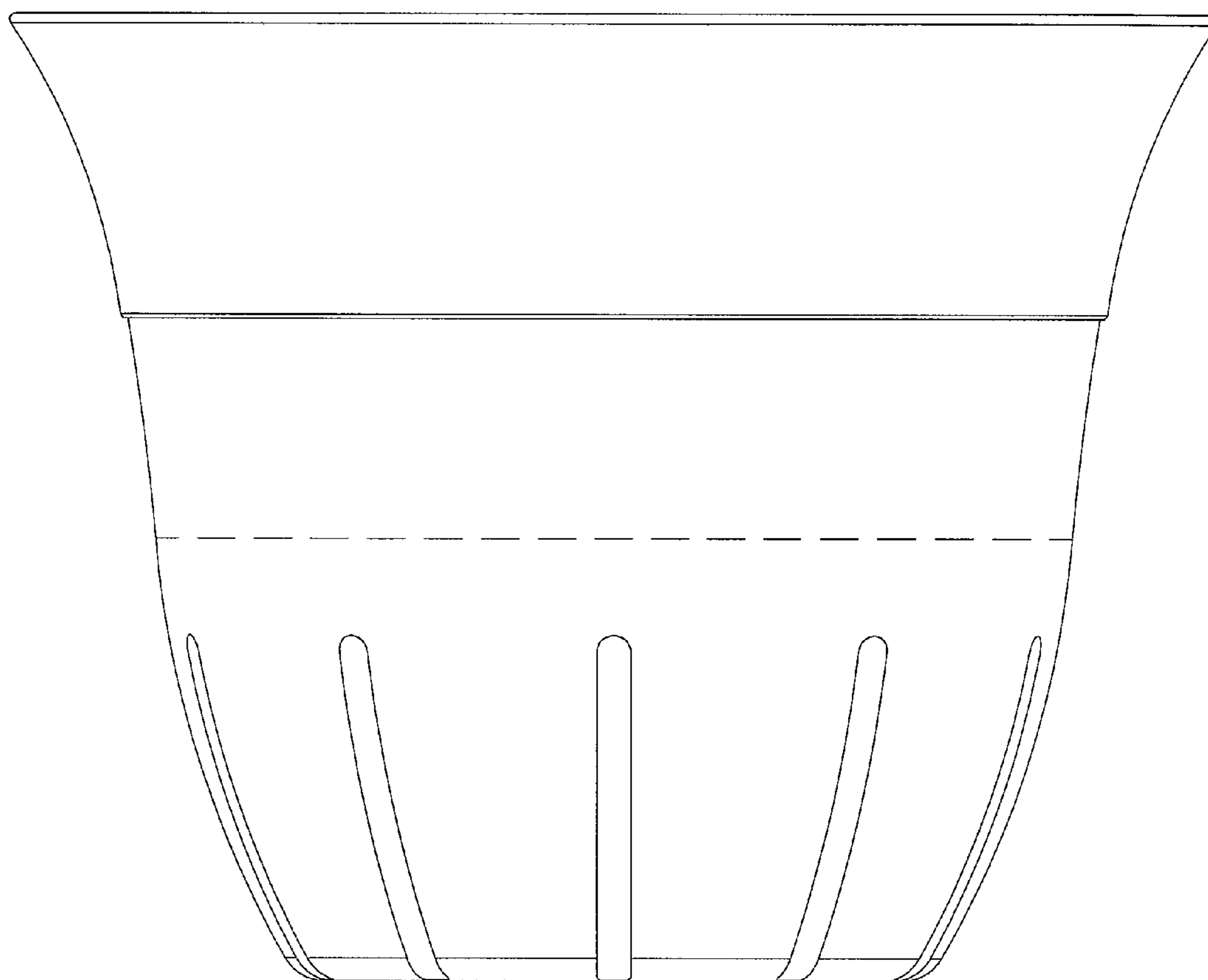


Fig. 2

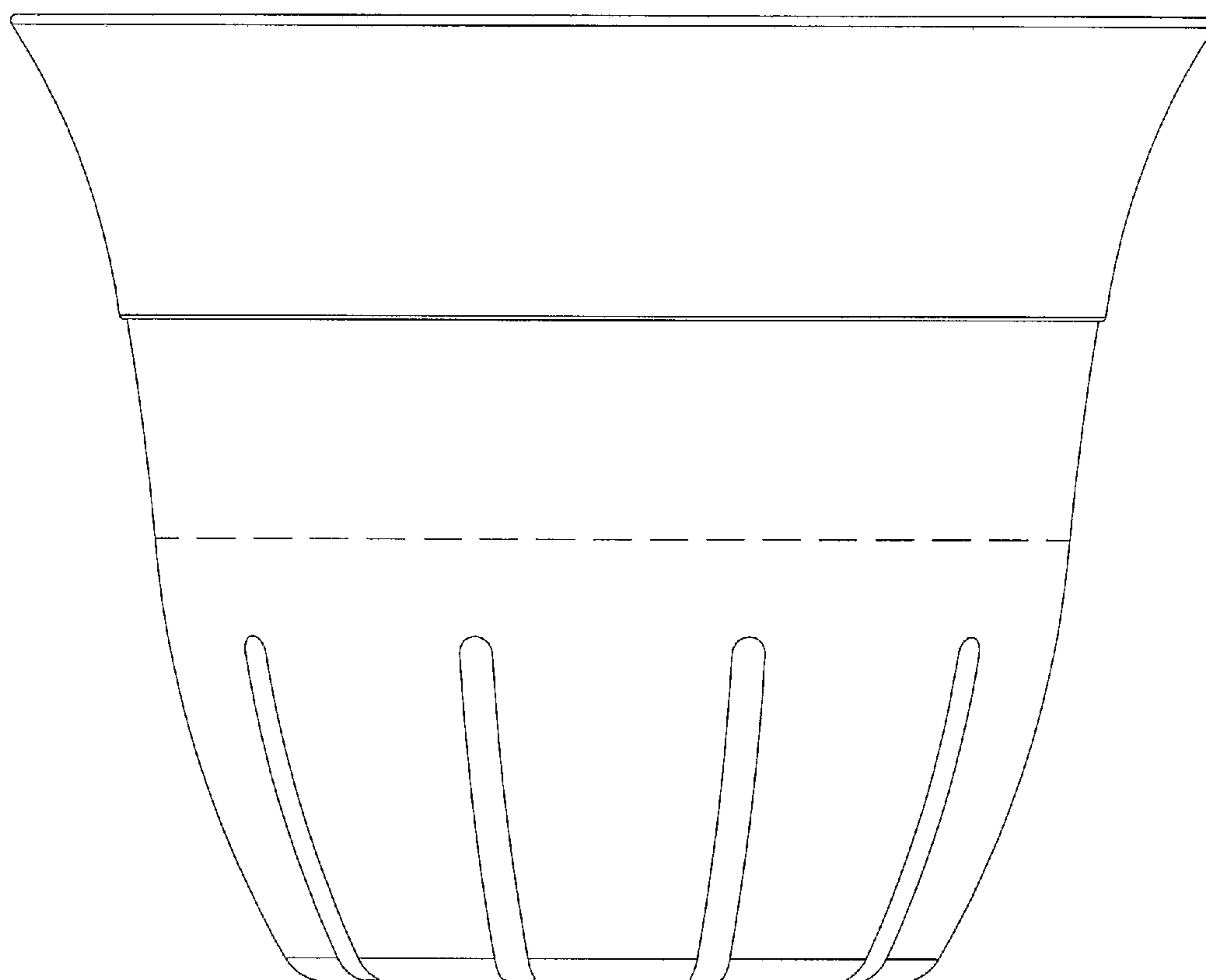


Fig. 3

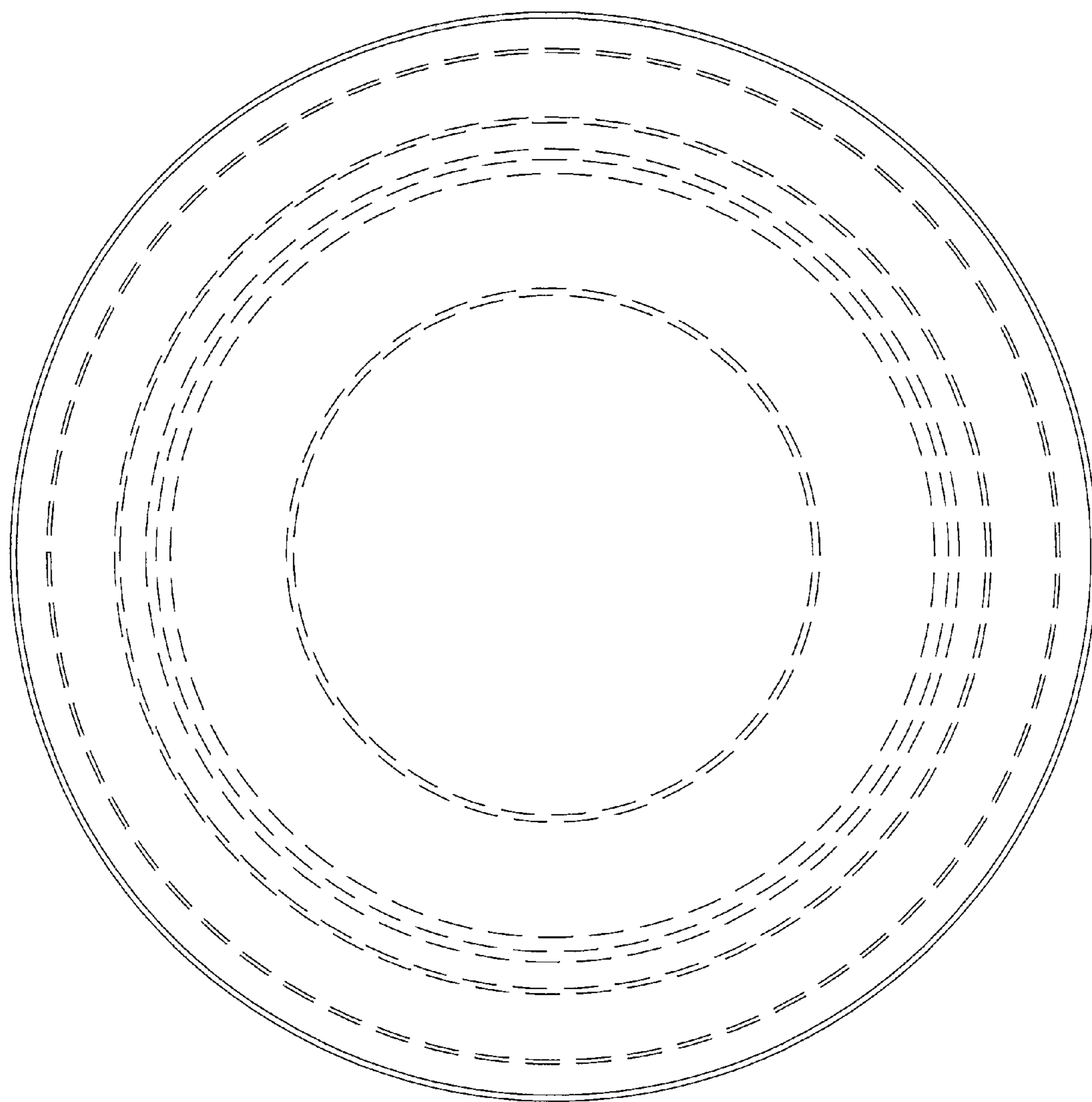


Fig. 4

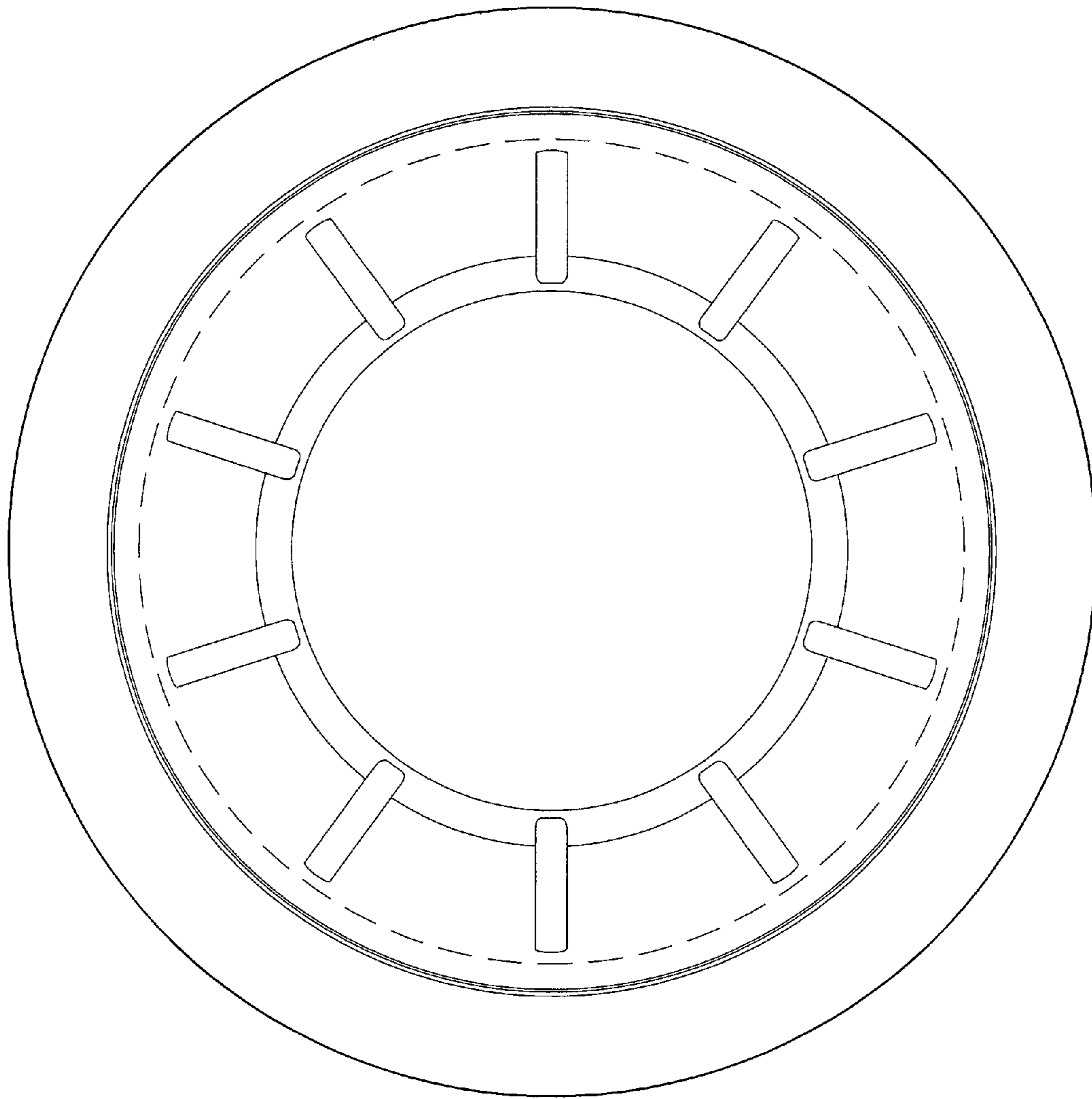


Fig. 5