



US00D719052S

(12) **United States Design Patent**
Yatsugi-Kang

(10) **Patent No.:** **US D719,052 S**

(45) **Date of Patent:** **** Dec. 9, 2014**

(54) **CHARM**

D464,287 S * 10/2002 Potter et al. D11/91
D474,127 S * 5/2003 Potter et al. D11/81
D516,456 S * 3/2006 Tsui D11/81

(71) Applicant: **Harry Winston SA**, Plan-les-Ouates
(CH)

(72) Inventor: **Rie Yatsugi-Kang**, Cresskill, NJ (US)

(73) Assignee: **Harry Winston SA**, Plan-les-Ouates
(CH)

(**) Term: **14 Years**

(21) Appl. No.: **29/489,599**

(22) Filed: **May 1, 2014**

(30) **Foreign Application Priority Data**

Nov. 1, 2013 (WO) DM/082 130

(51) **LOC (10) Cl.** **11-01**

(52) **U.S. Cl.**
USPC **D11/81; D11/91**

(58) **Field of Classification Search**
USPC D11/1, 2, 7, 8, 40-44, 79-86, 91, 92;
63/1.11, 12, 13, 18, 19, 20, 23, 26-28,
63/29.1, 29.2, 36

See application file for complete search history.

(56) **References Cited**

U.S. PATENT DOCUMENTS

D300,414 S * 3/1989 Horosko D11/80
D302,957 S * 8/1989 Saxon D11/80
D343,140 S * 1/1994 Sperandio D11/81

OTHER PUBLICATIONS

[Online] <http://www.harrywinston.com/store/jewels/charms-collection/products/with-love-from-harry-winston-platinum>. Retrieved Jul. 22, 2014.*

[Online] <http://www.daterings.com/shoppic/2009128224844124.jpg>. Retrieved Jul. 22, 2014.*

[Online] https://img1.etsystatic.com/042/0/9351818/il_340x270.627597075_e22a.jpg. Retrieved Jul. 22, 2014.*

* cited by examiner

Primary Examiner — Cathron Brooks

Assistant Examiner — Melanie Pellegrini

(74) *Attorney, Agent, or Firm* — Donald J. Ranft; Collen IP

(57) **CLAIM**

The ornamental design for a charm, as shown.

DESCRIPTION

FIG. 1 is a front perspective view of a charm showing my new design;

FIG. 2 is a rear perspective view thereof;

FIG. 3 is a front view thereof;

FIG. 4 is a rear view thereof;

FIG. 5 is a left side view thereof;

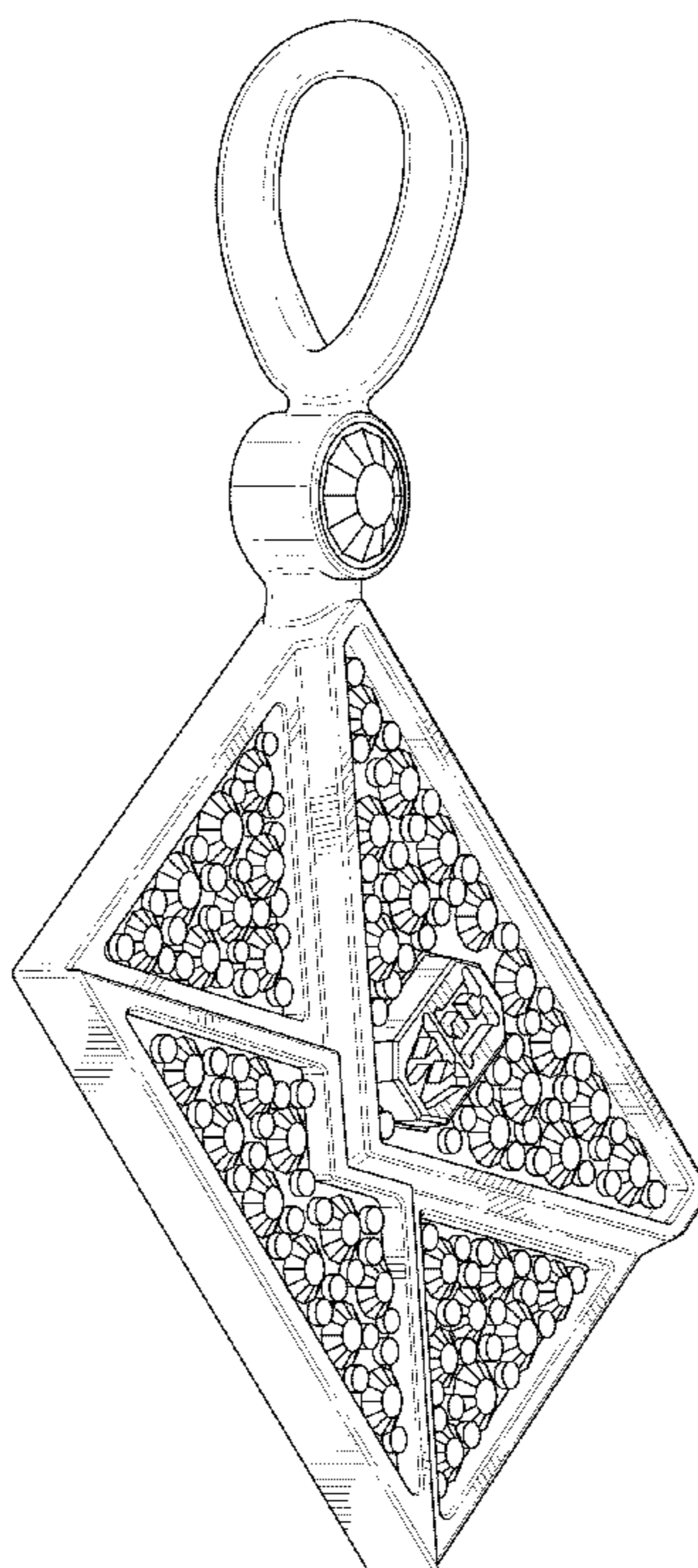
FIG. 6 is a right side view thereof;

FIG. 7 is a top view thereof; and,

FIG. 8 is a bottom view thereof.

The broken lines shown in the drawings illustrate portions of the charm that form no part of the claimed design.

1 Claim, 6 Drawing Sheets



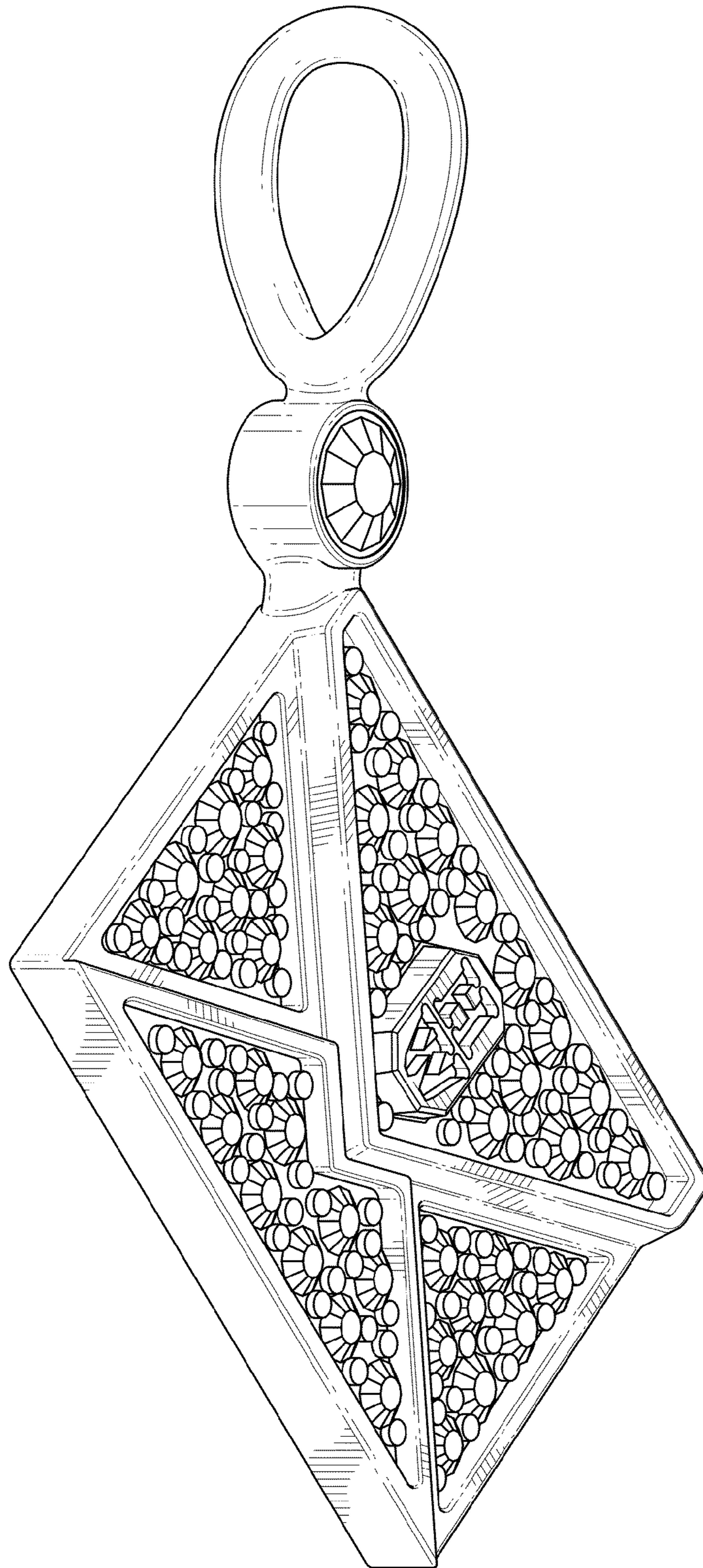


FIG. 1

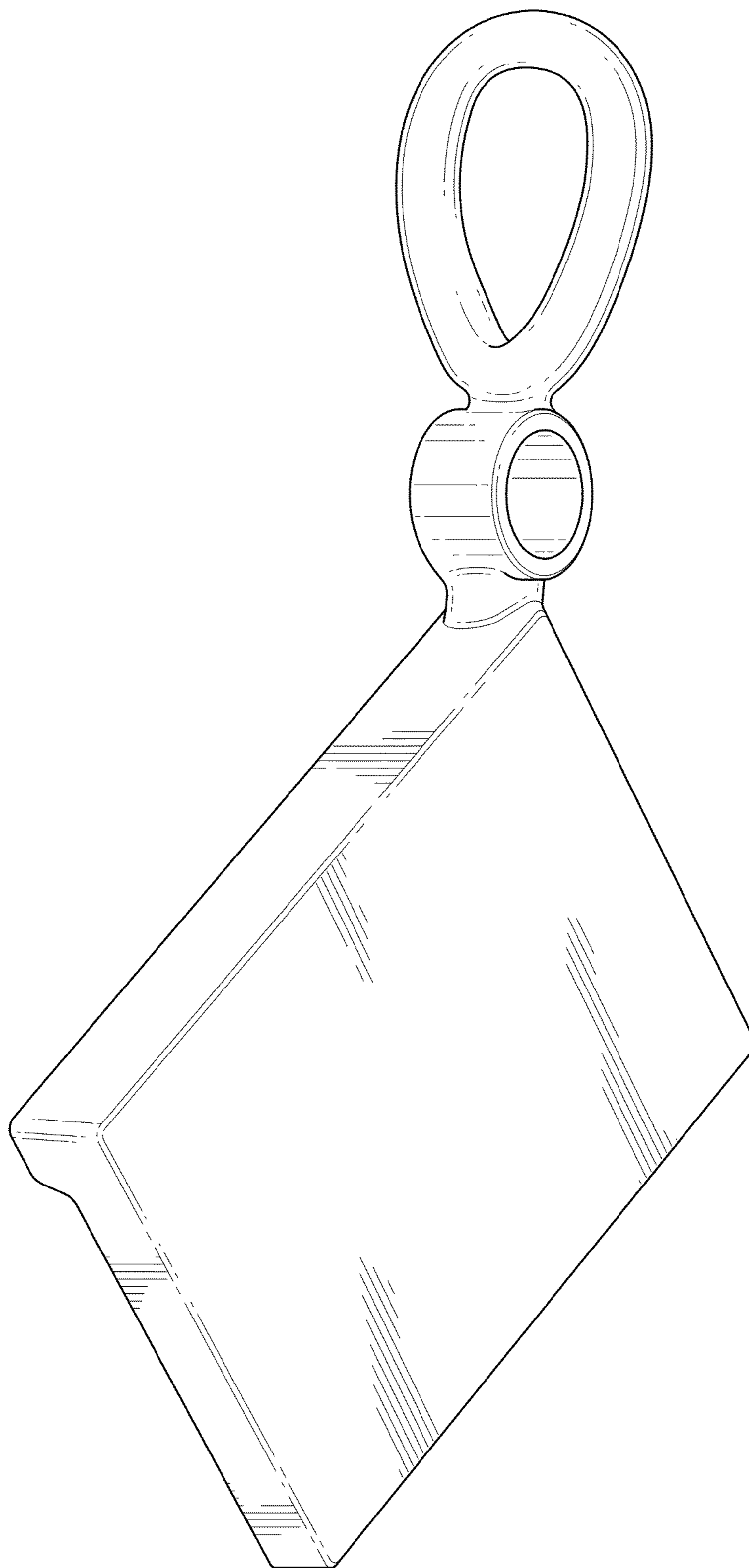


FIG. 2

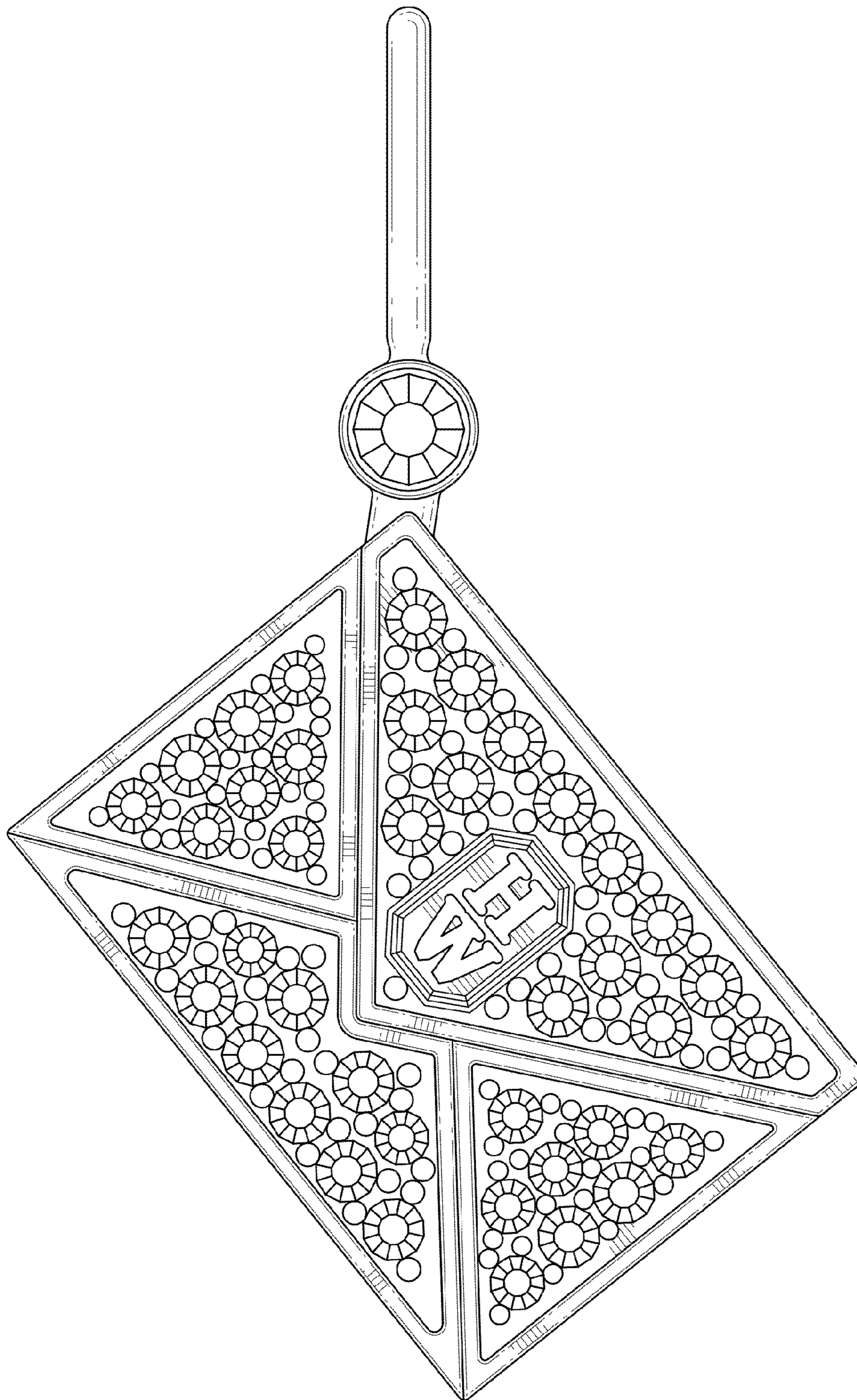


FIG. 3

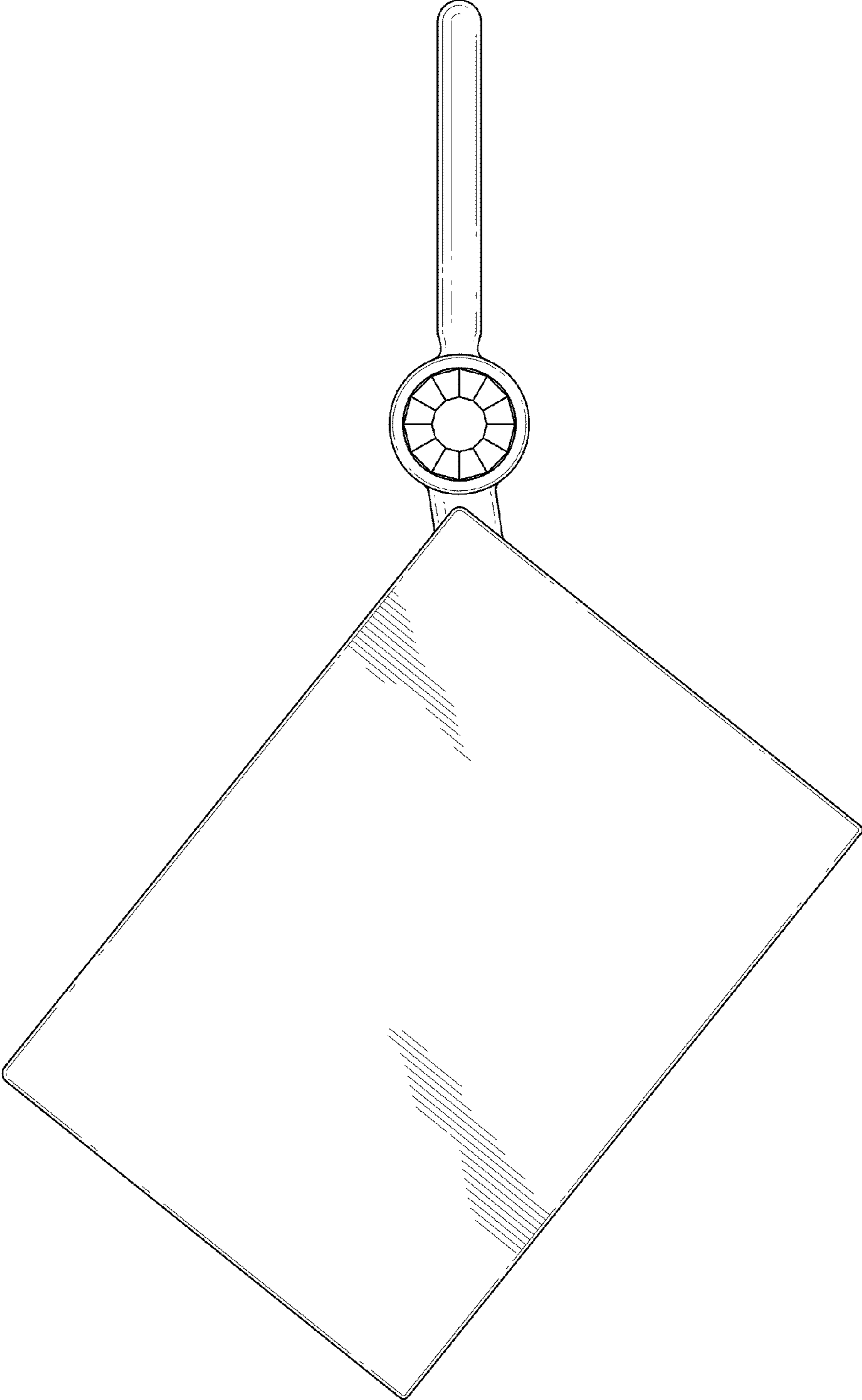


FIG.4

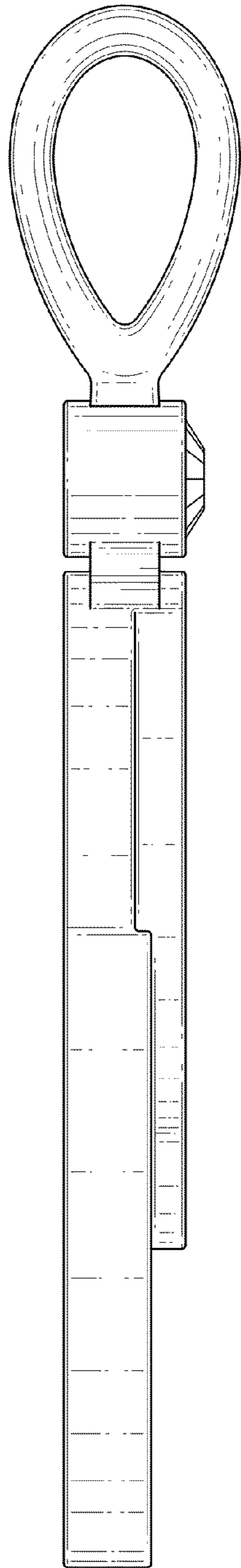


FIG. 5

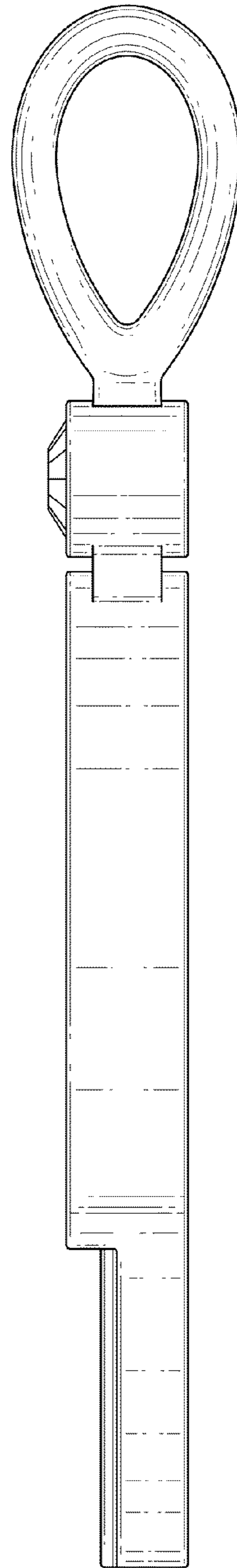


FIG. 6

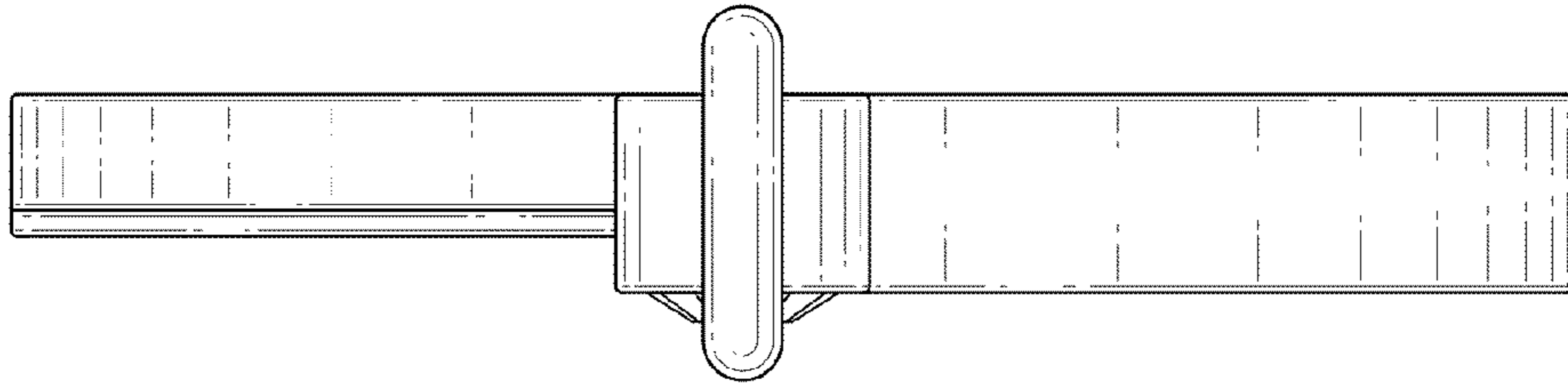


FIG. 7

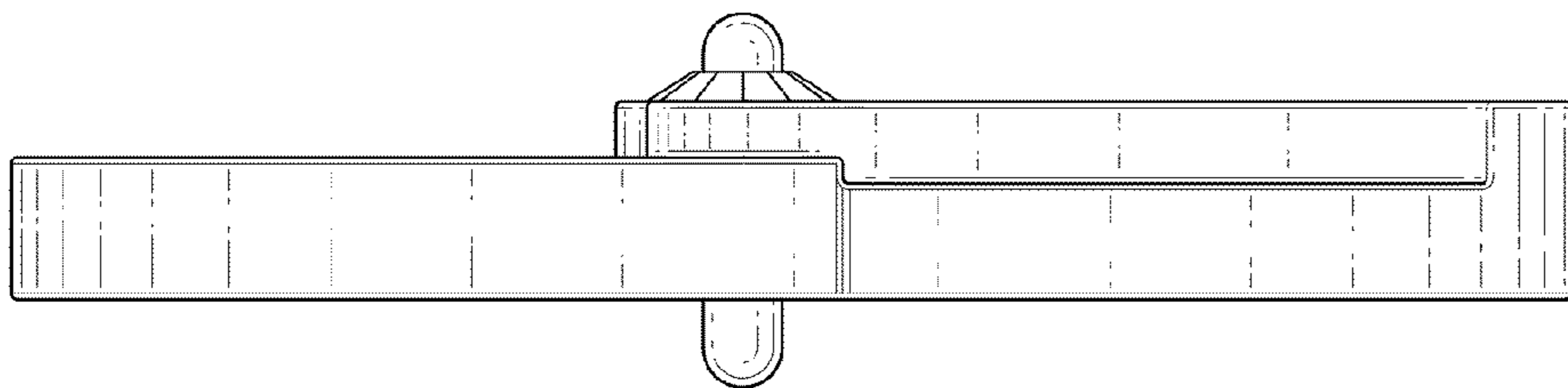


FIG. 8