



US00D719050S

(12) **United States Design Patent**
Yatsugi-Kang

(10) **Patent No.:** **US D719,050 S**

(45) **Date of Patent:** **** Dec. 9, 2014**

(54) **CHARM**

(71) Applicant: **Harry Winston SA**, Plan-les-Ouates (CH)

(72) Inventor: **Rie Yatsugi-Kang**, Cresskill, NJ (US)

(73) Assignee: **Harry Winston SA**, Plan-les-Ouates (CH)

(**) Term: **14 Years**

(21) Appl. No.: **29/489,598**

(22) Filed: **May 1, 2014**

(30) **Foreign Application Priority Data**

Nov. 1, 2013 (WO) DM/082 130

(51) **LOC (10) Cl.** **11-01**

(52) **U.S. Cl.**
USPC **D11/79**

(58) **Field of Classification Search**
USPC D11/1, 2, 7, 8, 40-44, 79-86, 91, 92;
63/1.11, 12, 13, 18, 19, 20, 23, 26-28,
63/29.1, 29.2, 36
See application file for complete search history.

(56) **References Cited**

U.S. PATENT DOCUMENTS

D22,598 S * 7/1893 Mulcay D11/83
D39,317 S * 5/1908 Cherry D11/83
D66,529 S * 2/1925 Denney D11/79

D157,313 S * 2/1950 Zweig D11/81
D157,314 S * 2/1950 Zweig D11/81
D238,089 S * 12/1975 Poulin D11/81
D252,745 S * 8/1979 Watson D11/81
D631,387 S * 1/2011 Knox et al. D11/79
D678,807 S * 3/2013 Grassi Damiani D11/79
D695,643 S * 12/2013 Wolff D11/79

OTHER PUBLICATIONS

[Online] <http://www.lvjewellery.co.uk/image/cache/data/elementsgold/EG8/GP901-225x225.jpg>. Retrieved Jul. 23, 2014.*

[Online] <http://www.americanluxurymag.com/wp-content/uploads/2013/10/harry-winston-charms1.jpg>. Retrieved Jul. 23, 2014.*

* cited by examiner

Primary Examiner — Cathron Brooks

Assistant Examiner — Melanie Pellegrini

(74) *Attorney, Agent, or Firm* — Donald J. Ranft; Collen IP

(57) **CLAIM**

The ornamental design for a charm, as shown.

DESCRIPTION

FIG. 1 is a front perspective view of a charm showing my new design;

FIG. 2 is a rear perspective view thereof;

FIG. 3 is a front view thereof;

FIG. 4 is a rear view thereof;

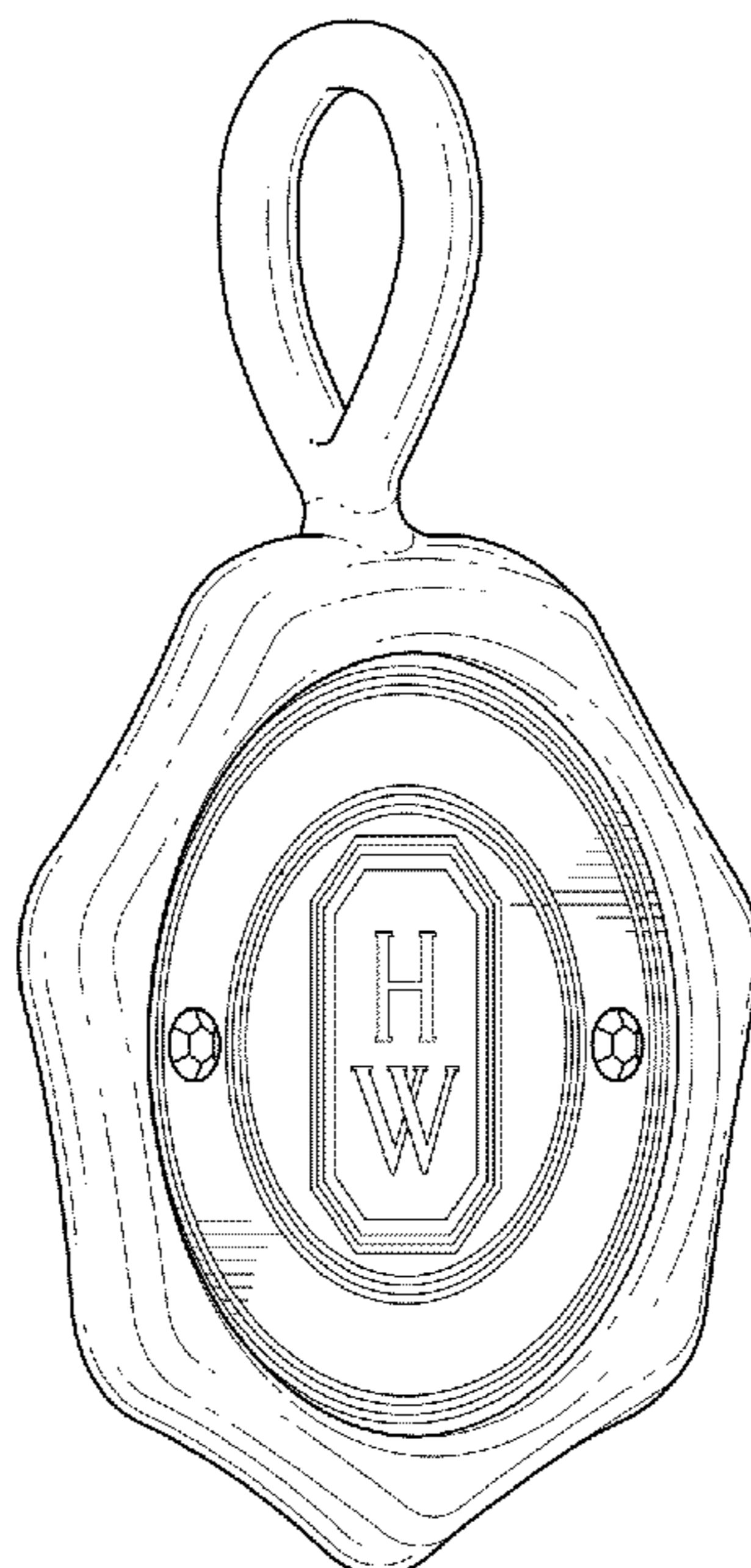
FIG. 5 is a left side view thereof;

FIG. 6 is a right side view thereof;

FIG. 7 is a top view thereof; and,

FIG. 8 is a bottom view thereof.

1 Claim, 7 Drawing Sheets



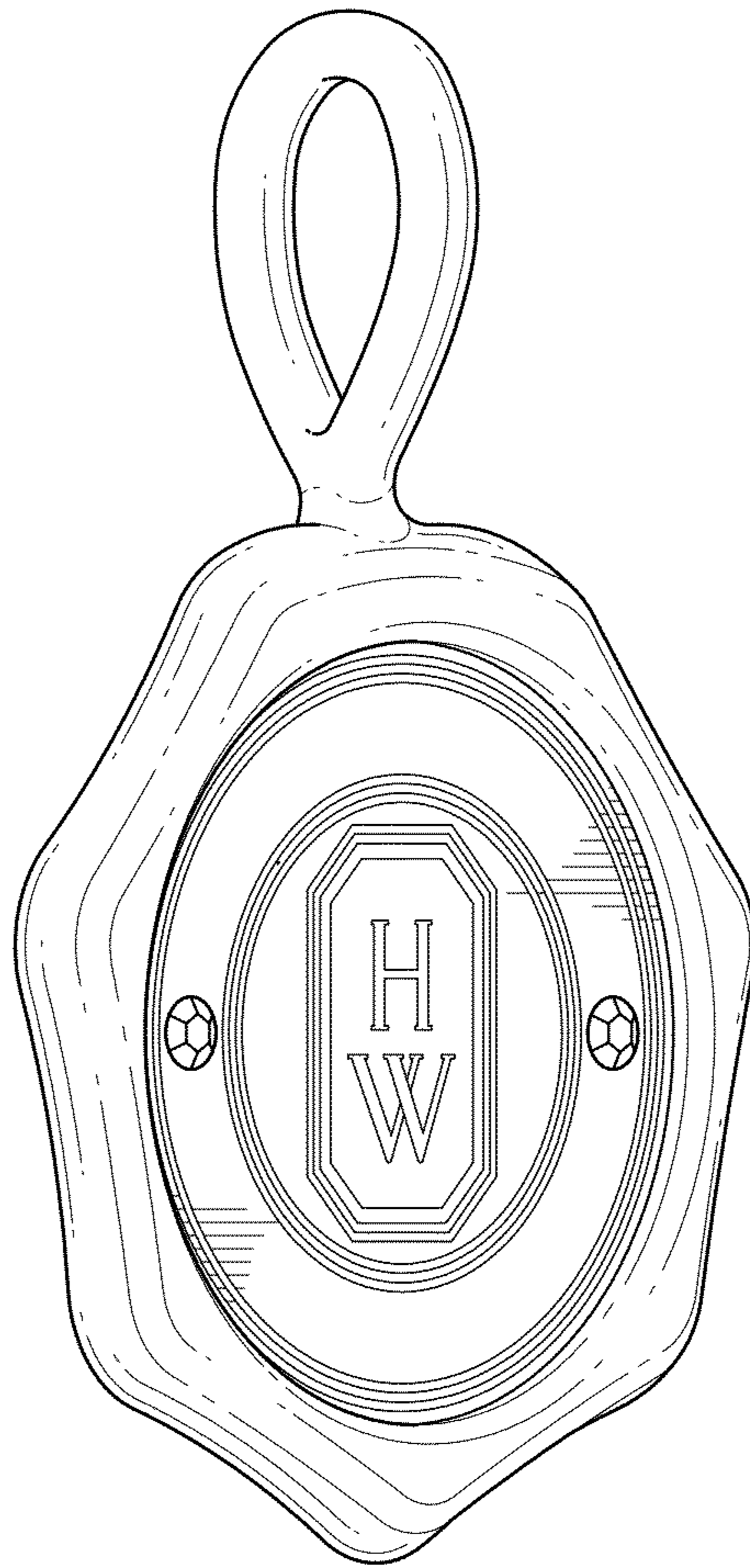


FIG. 1

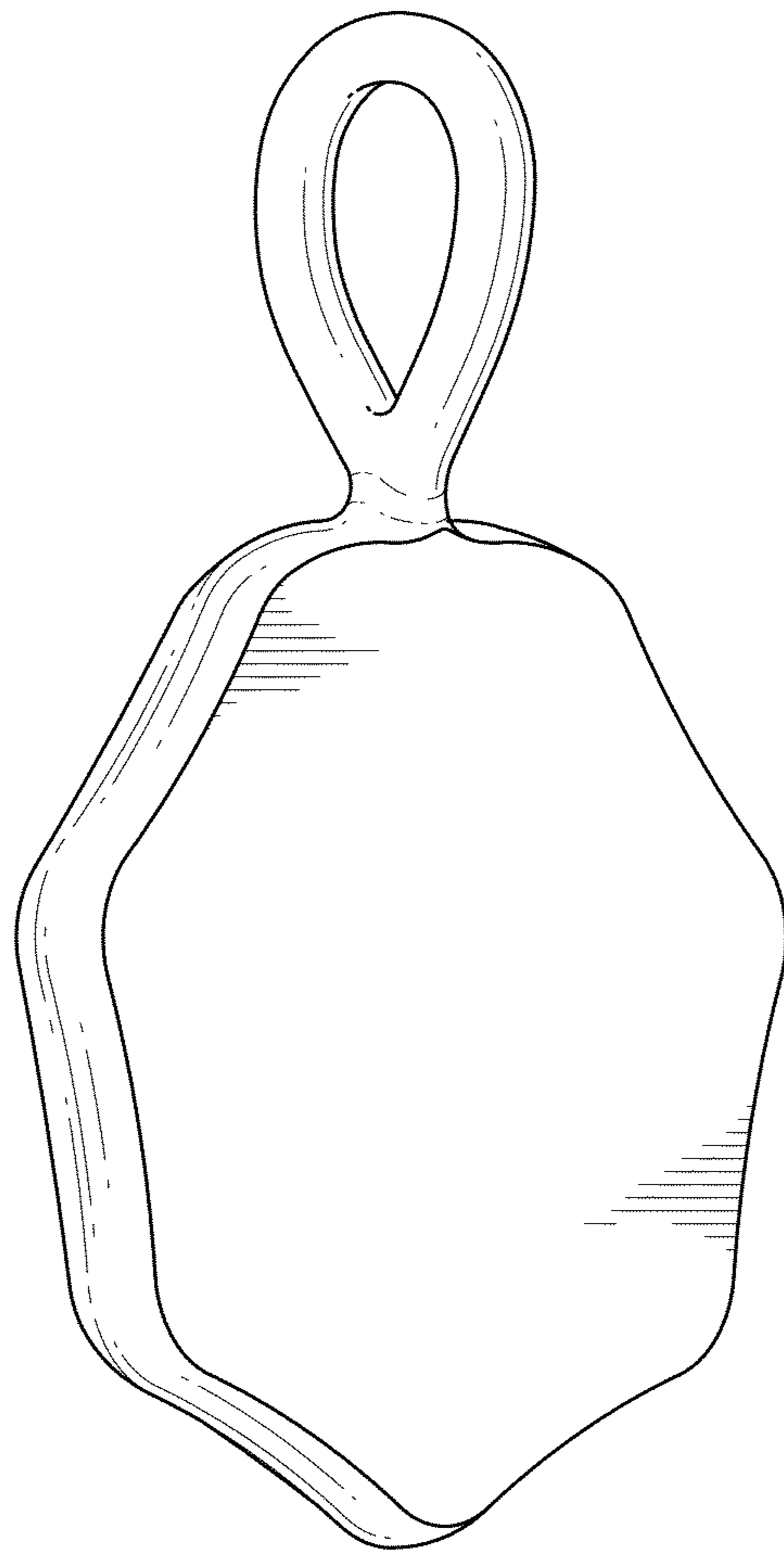


FIG. 2

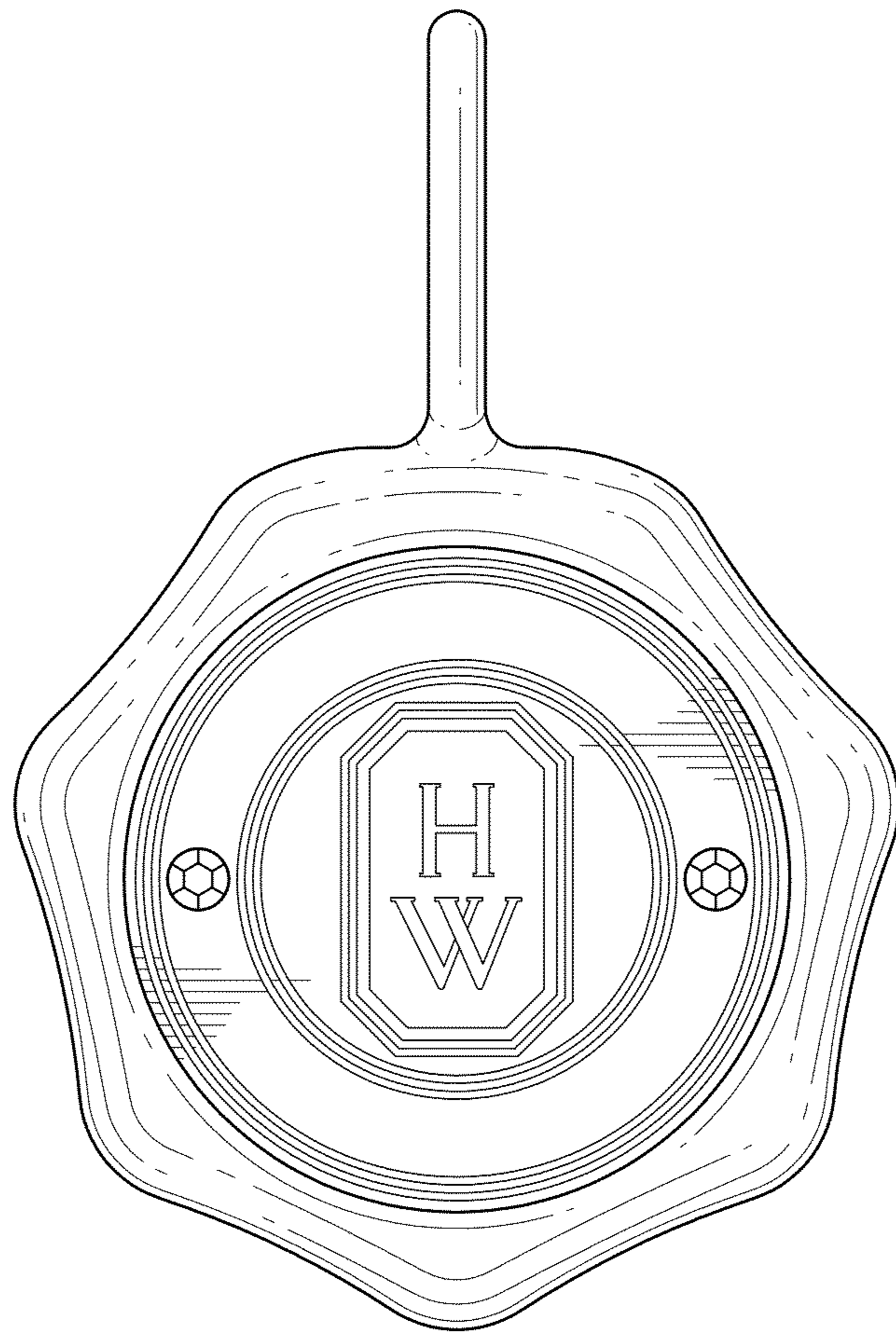


FIG. 3

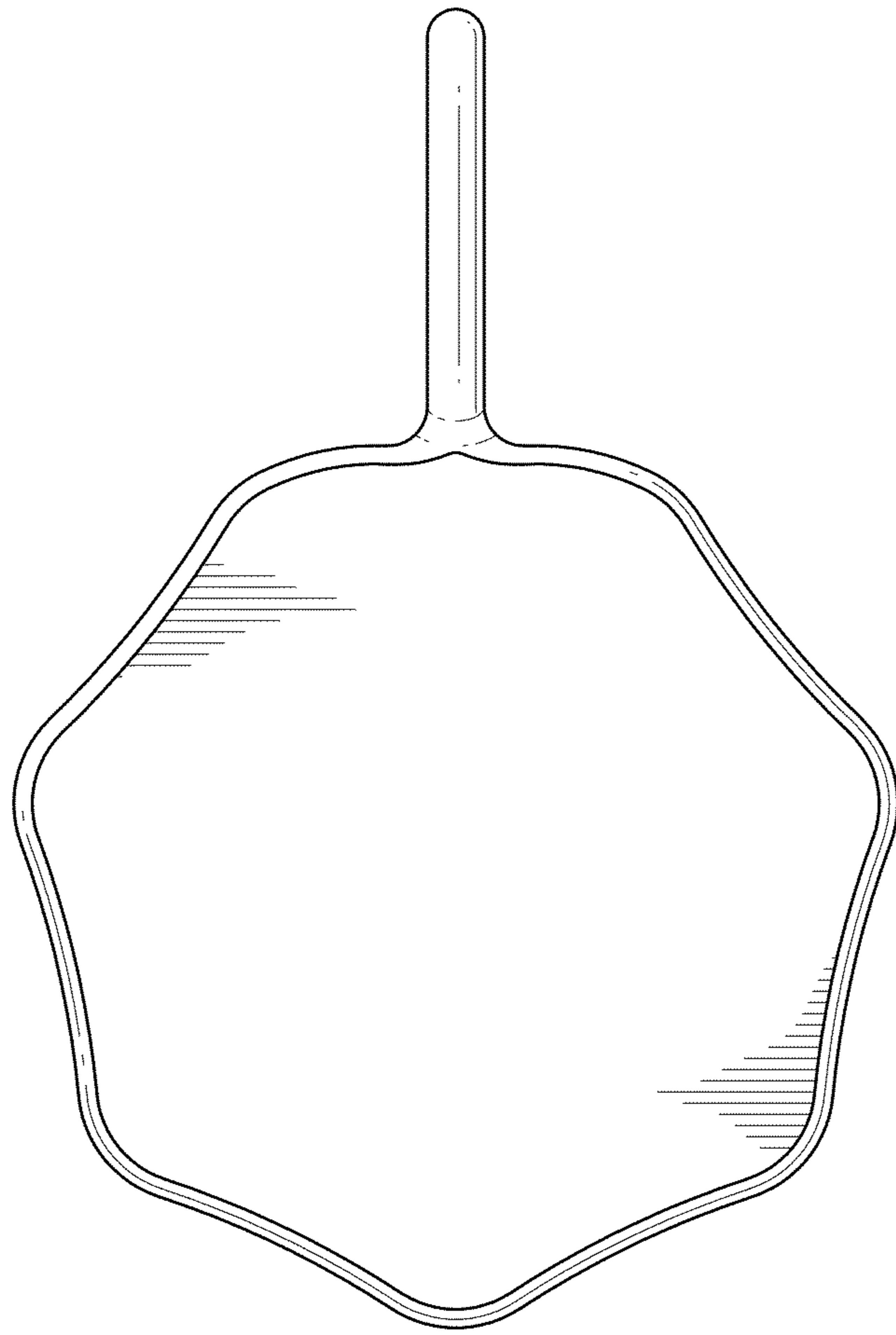


FIG. 4

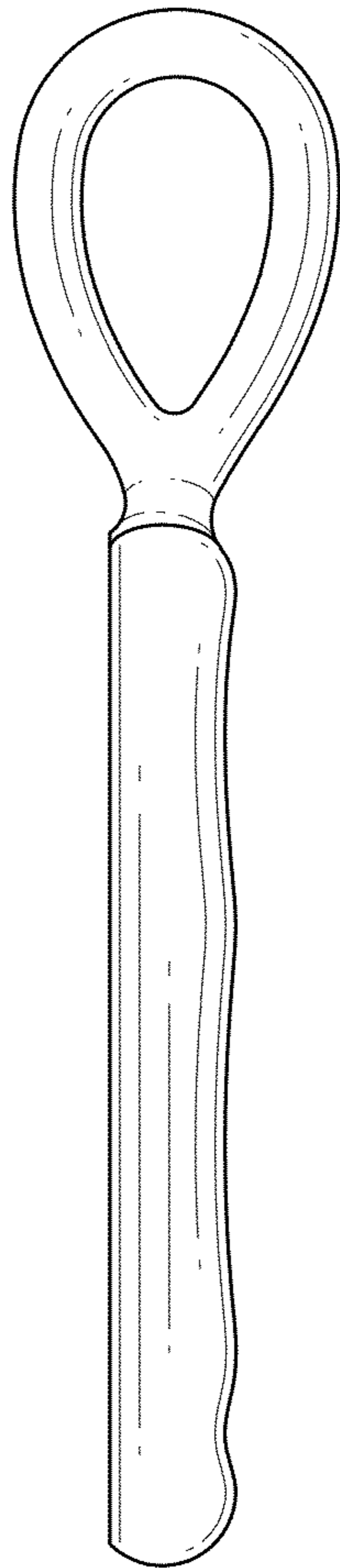


FIG.5

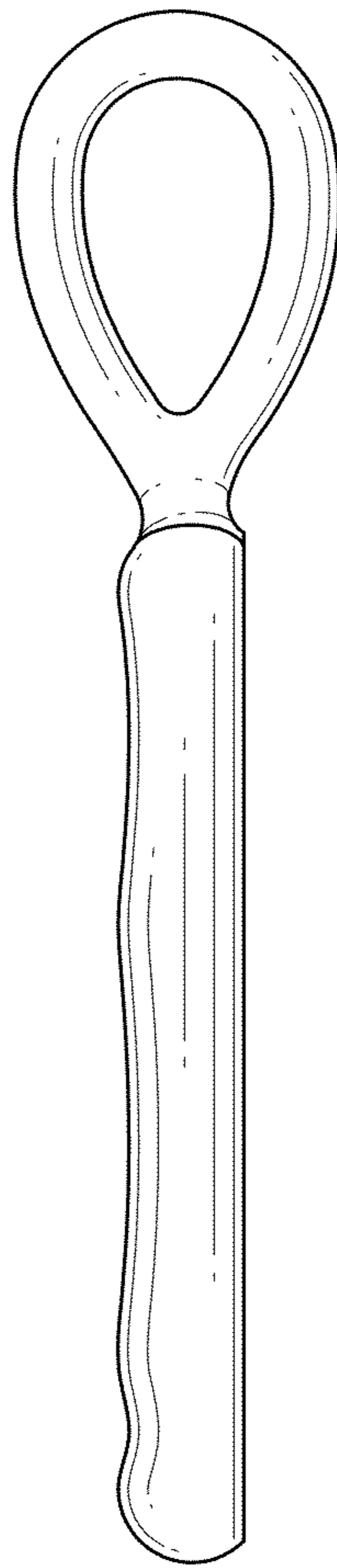


FIG. 6

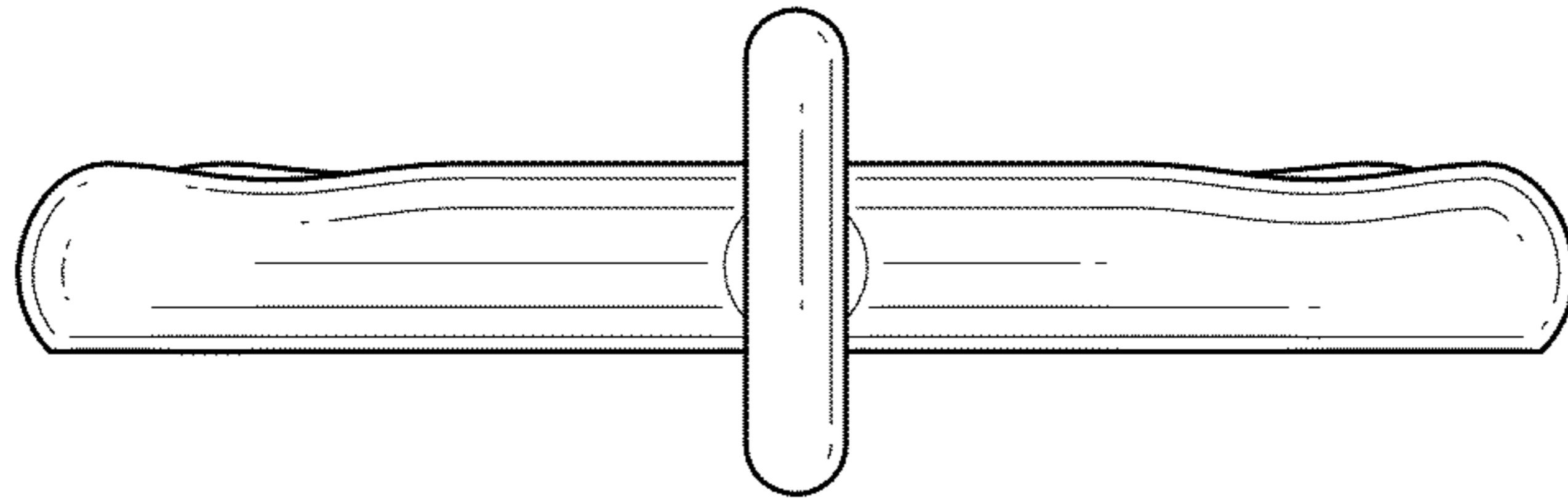


FIG. 7

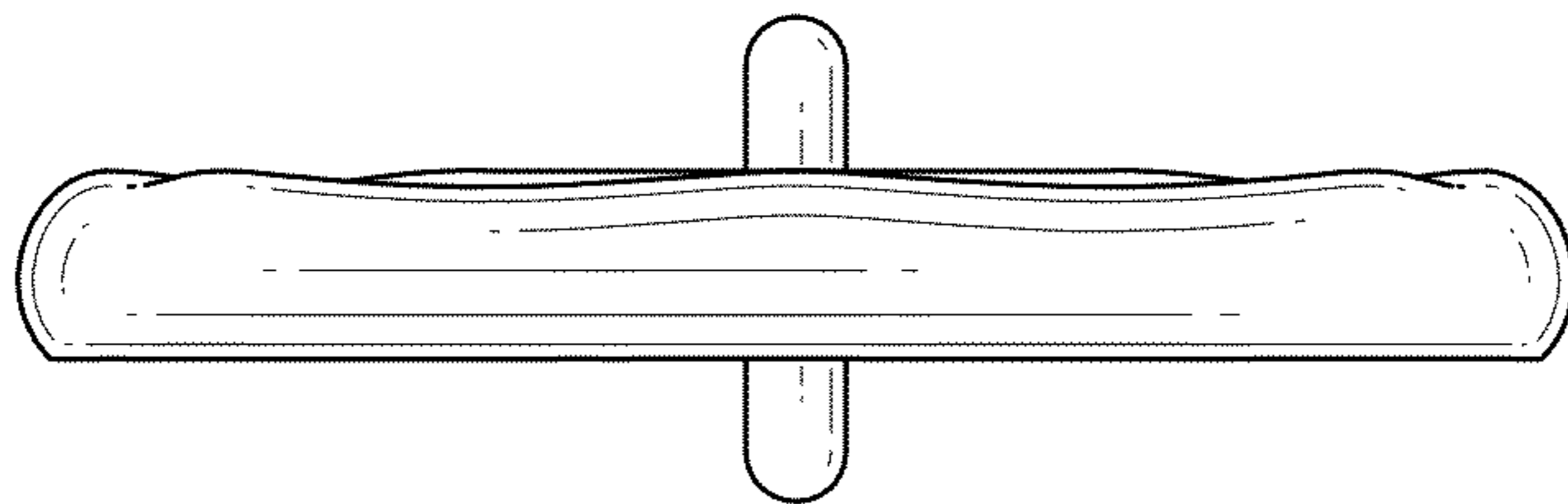


FIG. 8