



US00D719046S

(12) **United States Design Patent**
Miller

(10) **Patent No.:** **US D719,046 S**
(45) **Date of Patent:** **** Dec. 9, 2014**

(54) **CHAIN BRACELET**

(71) Applicant: **Atocha Treasure Company, LLC**,
Esterro, FL (US)

(72) Inventor: **Kenny Miller**, Esterro, FL (US)

(73) Assignee: **Atocha Treasure Company LLC**,
Esterro, FL (US)

(**) Term: **14 Years**

(21) Appl. No.: **29/452,883**

(22) Filed: **Apr. 23, 2013**

(51) **LOC (10) Cl.** **11-01**

(52) **U.S. Cl.**
USPC **D11/13**

(58) **Field of Classification Search**
USPC D11/1-26, 79, 93; 63/1.11, 3, 3.1, 3.2,
63/4, 5.1, 5.2, 6, 7, 8, 9, 10, 11, 15, 38;
D12/122-124

See application file for complete search history.

(56) **References Cited**

U.S. PATENT DOCUMENTS

D246,830	S	*	1/1978	Lossini	D11/12
D246,960	S	*	1/1978	Lossini	D11/4
D247,103	S	*	1/1978	Lossini	D11/12
D400,468	S	*	11/1998	Norman	D11/81
D412,058	S	*	7/1999	Edworthy	D3/208
D460,698	S	*	7/2002	Jamin	D10/32
D479,768	S	*	9/2003	Macevicz	D3/211
D545,234	S	*	6/2007	Sogoyan	D11/13
D581,306	S	*	11/2008	So	D11/13
D581,307	S	*	11/2008	So	D11/13
D584,983	S	*	1/2009	So	D11/13
D656,297	S	*	3/2012	Christian	D2/627
D691,507	S	*	10/2013	Stanev et al.	D11/26
2007/0084243	A1	*	4/2007	Moore	63/38

OTHER PUBLICATIONS

[Online] Ghost Rider 1" Wide 9" Length Gents Chain Bracelet.
<http://www.ebay.com/itm/GHOST-RIDER-1-WIDE-9-LENGTH-GENTS-CHAIN-BRACELET-GOLD-BIKER-MOTORCYCLE-2012-/310381201390>. Earliest recorded sale: May 14, 2012. Retrieved Jun. 25, 2014.*

[Online] Bike Chain Bracelet Stainless Steel Heavy Metal Design.
http://www.ebay.com/itm/Bike-Chain-Bracelet-Stainless-Steel-Heavy-Metal-Design-By-Skull-Bones-Jewelry-/130600144273#ht_6249wt_810. Retrieved Jun. 25, 2014.*

[Online] http://www.ebay.com/itm/Biker-Chain-Bracelet-Stainless-Steel-Black-Silver-Heavy-Metal-Skull-Bones-Harley-/130600161714#ht_6327wt_735. Earliest recorded sale: Nov. 26, 2011. Retrieved Jun. 25, 2014.*

[Online] http://www.ebay.com/itm/9-5-Length-Mens-Biker-Chain-Bracelet-Baddest-Planet-1-Inch-/310774374019?pt=US_Mens_Jewelry&hash=item485b989e83. Retrieved Jun. 25, 2014.*

* cited by examiner

Primary Examiner — Garth Rademaker

Assistant Examiner — Melanie Pellegrini

(74) *Attorney, Agent, or Firm* — Kevin Keener; Keener and Associates P.C.

(57) **CLAIM**

The ornamental design for a chain bracelet, as shown and described.

DESCRIPTION

FIG. 1 is a top perspective view of a chain bracelet;

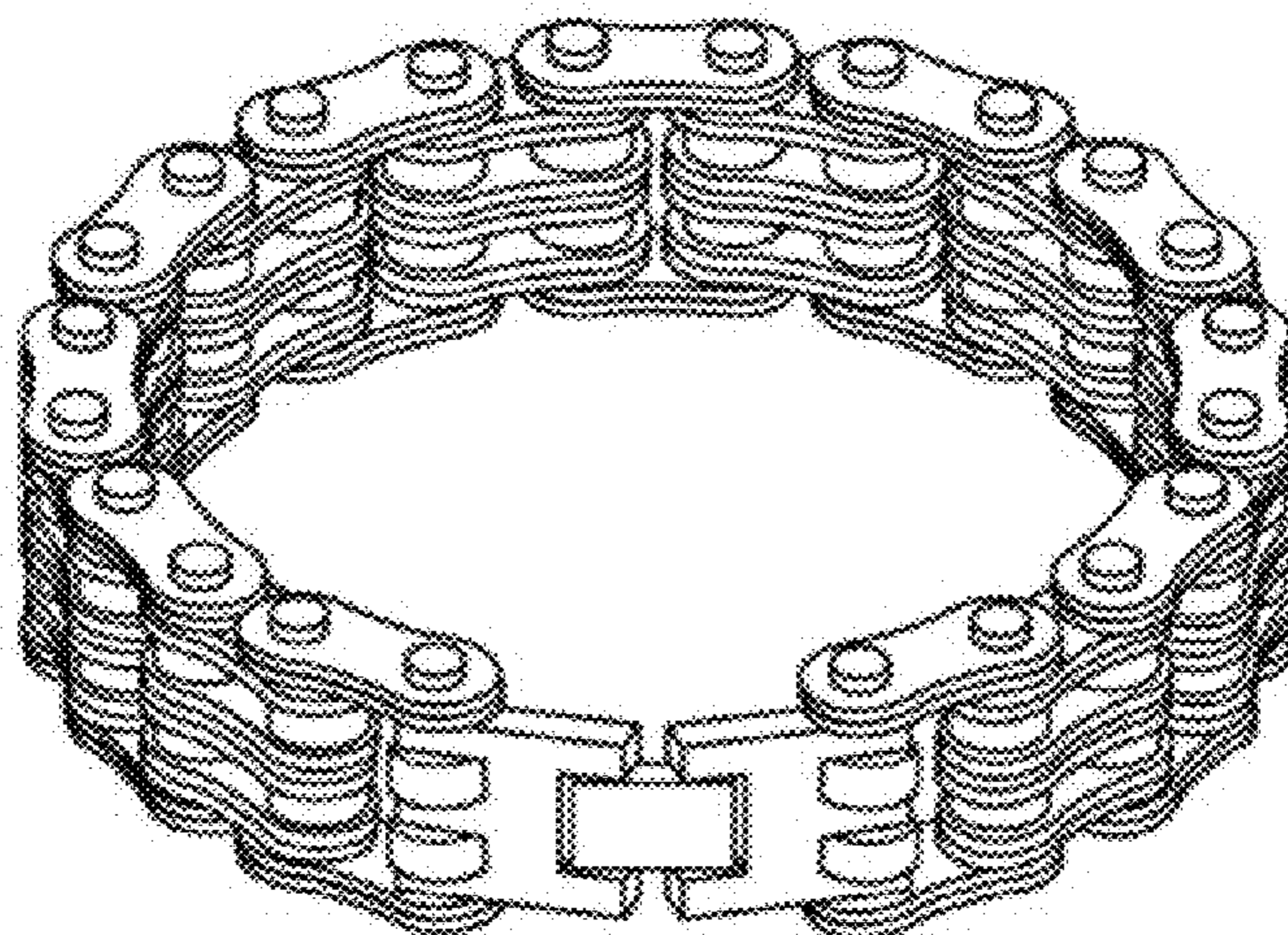
FIG. 2 is a side elevational view thereof;

FIG. 3 is an enlarged sectional view of several bracelet links (shown as section 3 in FIG. 2) shown separately for completeness of illustration; and,

FIG. 4 is a top plan view thereof.

The broken lines shown in FIG. 2 define the boundaries of a portion of the design which is shown enlarged in FIG. 3 and form no part of the claimed design.

1 Claim, 4 Drawing Sheets



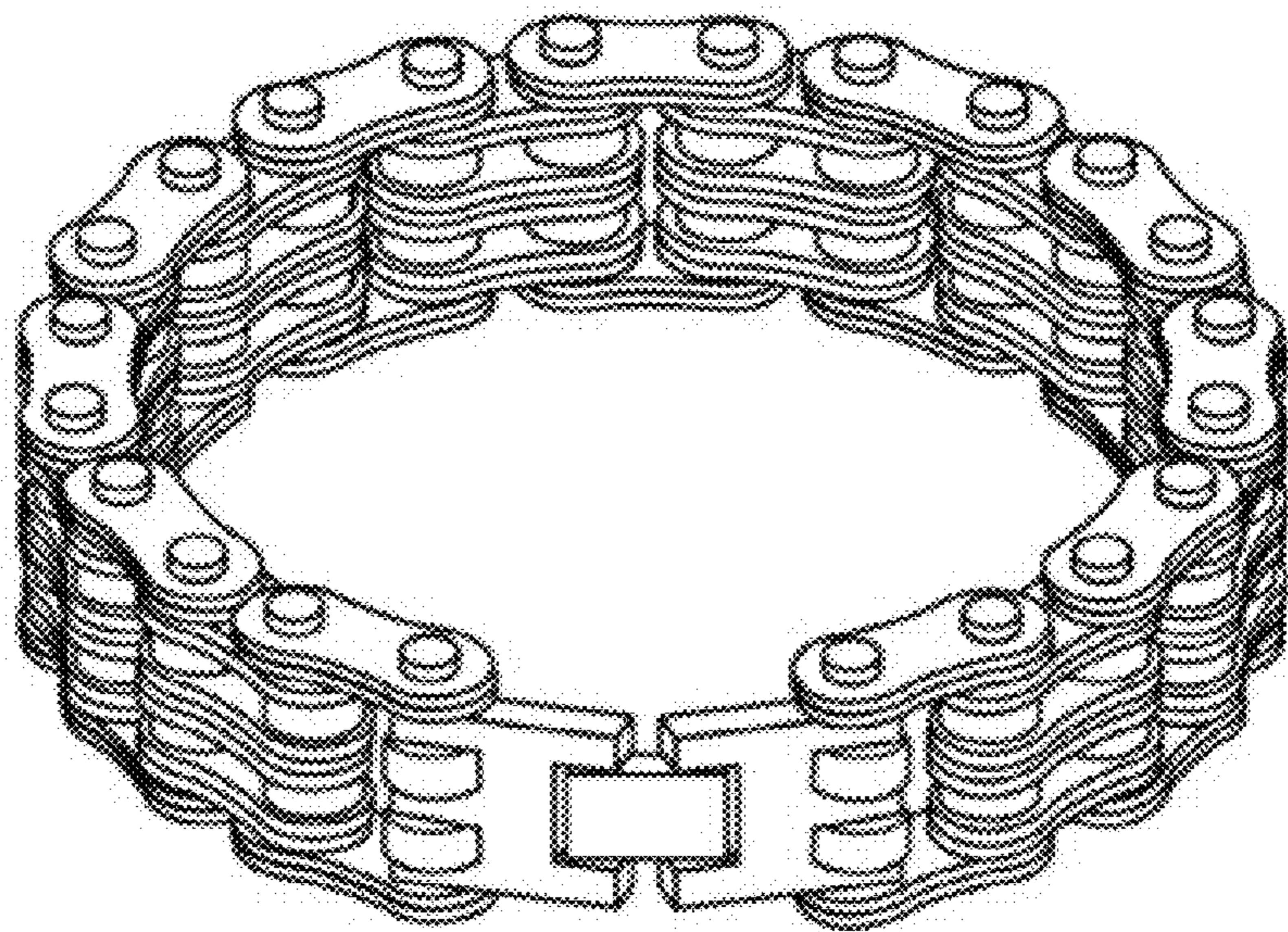


Fig. 1

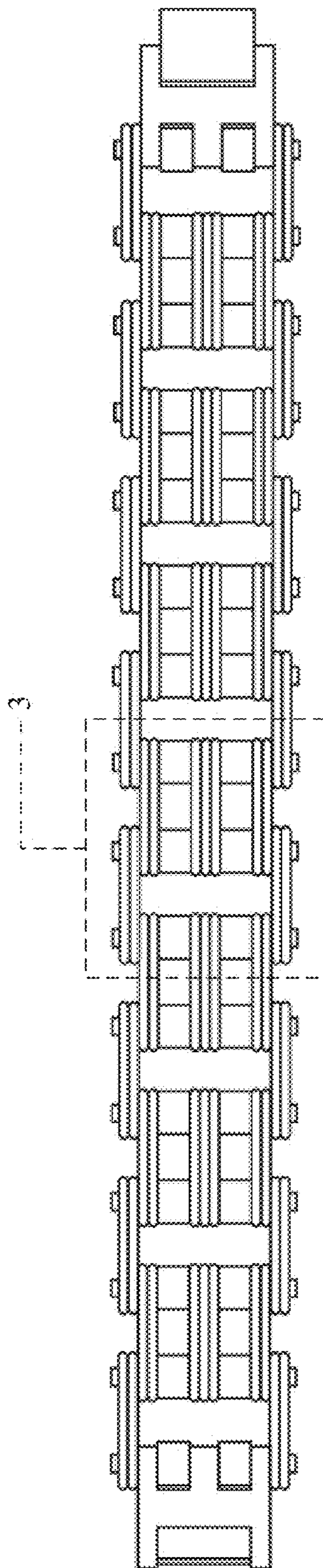


Fig. 2

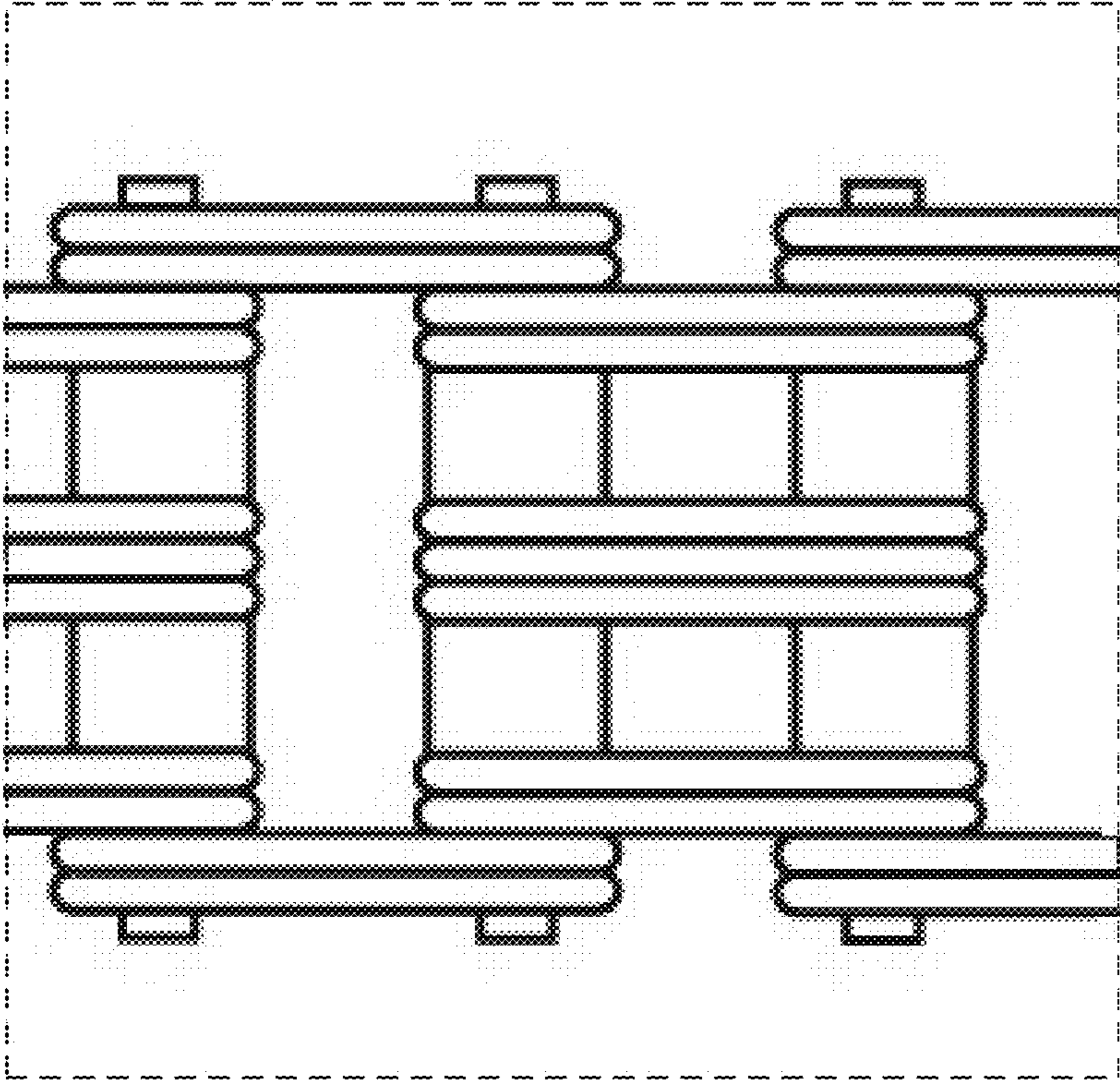


Fig. 3

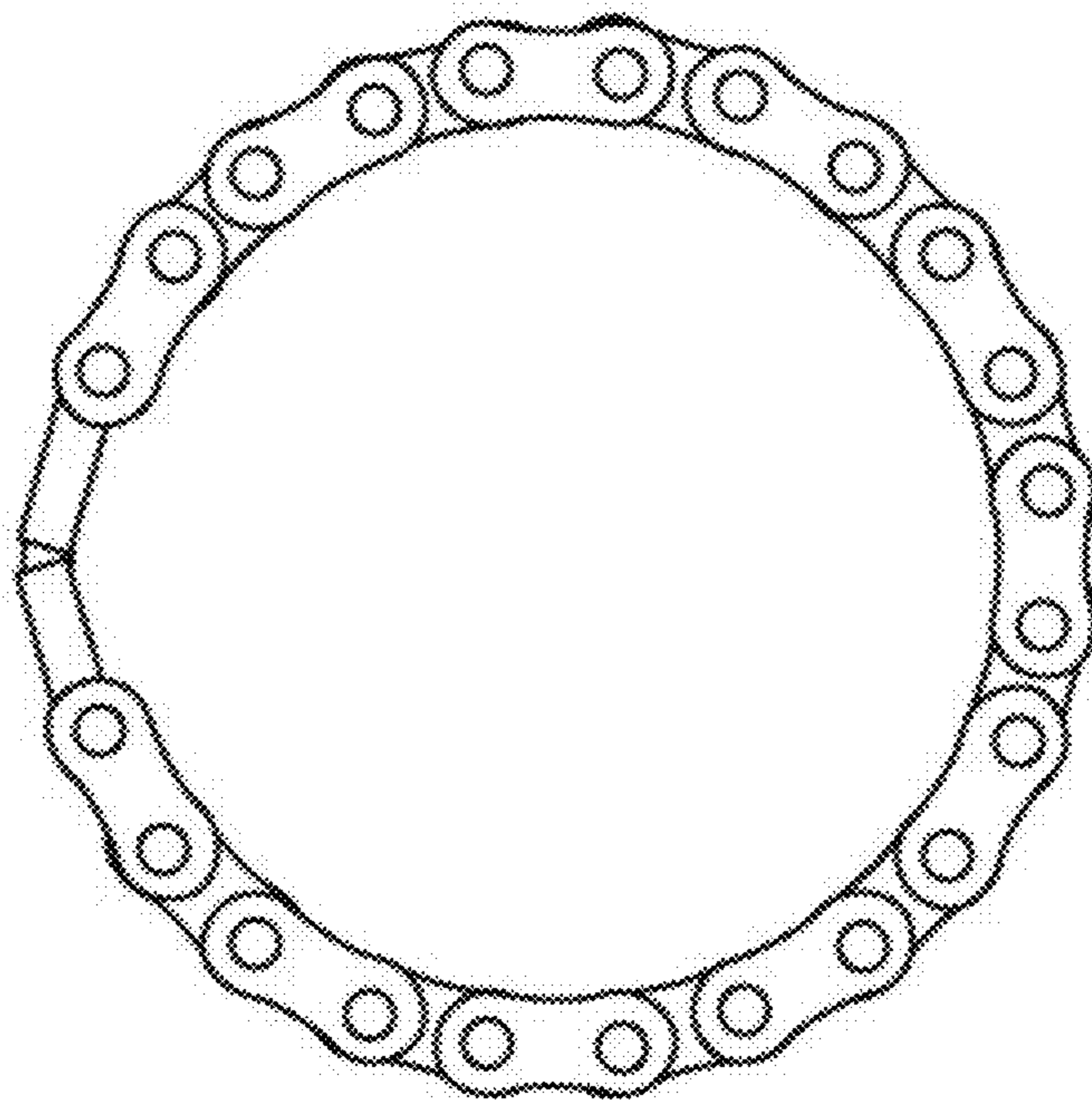


Fig. 4