



US00D719045S

(12) **United States Design Patent**  
**Miller**

(10) **Patent No.:** **US D719,045 S**

(45) **Date of Patent:** **\*\* Dec. 9, 2014**

(54) **CHAIN BRACELET**

(71) Applicant: **Atocha Treasure Company, LLC**,  
Estero, FL (US)

(72) Inventor: **Kenny Miller**, Estero, FL (US)

(73) Assignee: **Atocha Treasure Company LLC**,  
Estero, FL (US)

(\*\*) Term: **14 Years**

(21) Appl. No.: **29/452,879**

(22) Filed: **Apr. 23, 2013**

(51) **LOC (10) Cl.** ..... **11-01**

(52) **U.S. Cl.**  
USPC ..... **D11/13**

(58) **Field of Classification Search**  
USPC ..... D11/1-26, 79, 93; 63/1.11, 3, 3.1, 3.2,  
63/4, 5.1, 5.2, 6, 7, 8, 9, 10, 11, 15, 38;  
D12/122-124

See application file for complete search history.

(56) **References Cited**

**U.S. PATENT DOCUMENTS**

D246,830	S *	1/1978	Lossini	.....	D11/12
D246,960	S *	1/1978	Lossini	.....	D11/4
D247,103	S *	1/1978	Lossini	.....	D11/12
D400,468	S *	11/1998	Norman	.....	D11/81
D412,058	S *	7/1999	Edworthy	.....	D3/208
D460,698	S *	7/2002	Jamin	.....	D10/32
D479,768	S *	9/2003	Macevicz	.....	D3/211
D545,234	S *	6/2007	Sogoyan	.....	D11/13
D581,306	S *	11/2008	So	.....	D11/13
D581,307	S *	11/2008	So	.....	D11/13
D584,983	S *	1/2009	So	.....	D11/13
D656,297	S *	3/2012	Christian	.....	D2/627
D691,507	S *	10/2013	Stanev et al.	.....	D11/26
2007/0084243	A1 *	4/2007	Moore	.....	63/38

**OTHER PUBLICATIONS**

[online] Ghost Rider 1" Wide 9" Length Gents Chain Bracelet. <http://www.ebay.com/itm/GHOST-RIDER-1-WIDE-9-LENGTH-GENTS-CHAIN-BRACELET-GOLD-BIKER-MOTORCYCLE-2012-/310381201390>. Retrieved Jun. 23, 2014.\*

[online] Bike Chain Bracelet Stainless Steel Heavy Metal Design. [http://www.ebay.com/itm/Bike-Chain-Bracelet-Stainless-Steel-Heavy-Metal-Design-By-Skull-Bones-Jewelry-/130600144273#ht\\_6249wt\\_810](http://www.ebay.com/itm/Bike-Chain-Bracelet-Stainless-Steel-Heavy-Metal-Design-By-Skull-Bones-Jewelry-/130600144273#ht_6249wt_810). Retrieved Jun. 23, 2014.\*

[online] <http://skullbonesjewelry.com/sk1110.jpg>. Retrieved Jun. 23, 2014.\*

[online] <http://i01.i.aliimg.com/wsphoto/v0/1495144335/Punk-316L-Stainless-Steel-font-b-Bracelet-b-font-Silver-Tone-Biker-Bicycle-font-b-Motorcycle.jpg>. Retrieved Jun. 23, 2014.\*

\* cited by examiner

*Primary Examiner* — Garth Rademaker

*Assistant Examiner* — Melanie Pellegrini

(74) *Attorney, Agent, or Firm* — Kevin Keener; Keener and Associates P.C.

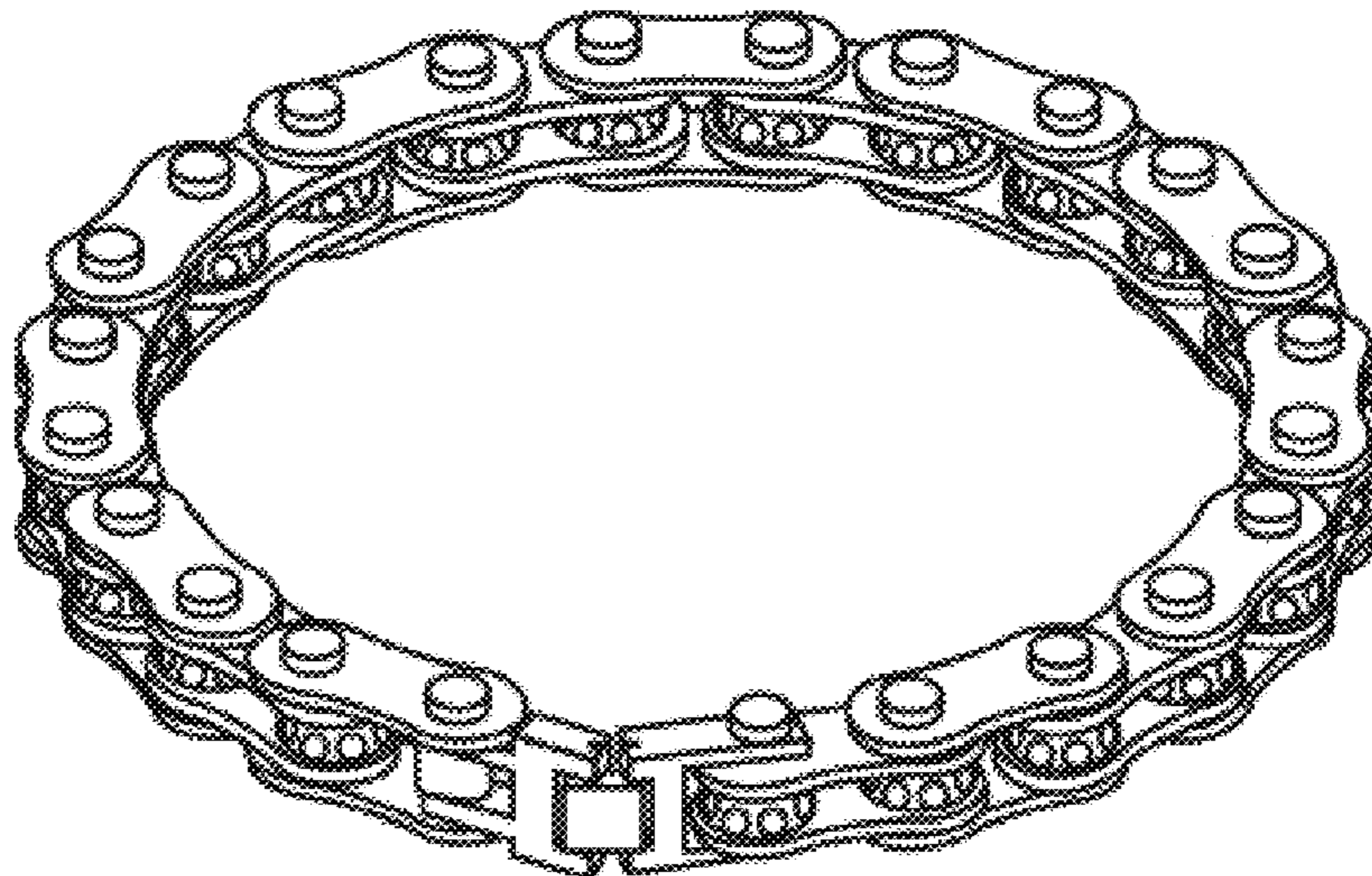
(57) **CLAIM**

The ornamental design for a chain bracelet, as shown and described.

**DESCRIPTION**

FIG. 1 is a top perspective view of a chain bracelet; FIG. 2 is a side elevational view thereof; FIG. 3 is an enlarged sectional view of several bracelet links (shown as section 3 in FIG. 2) shown separately for completeness of illustration; and, FIG. 4 is a top plan view thereof. The broken lines shown in FIG. 2 define the boundaries of a portion of the design which is shown enlarged in FIG. 3 and form no part of the claimed design.

**1 Claim, 4 Drawing Sheets**



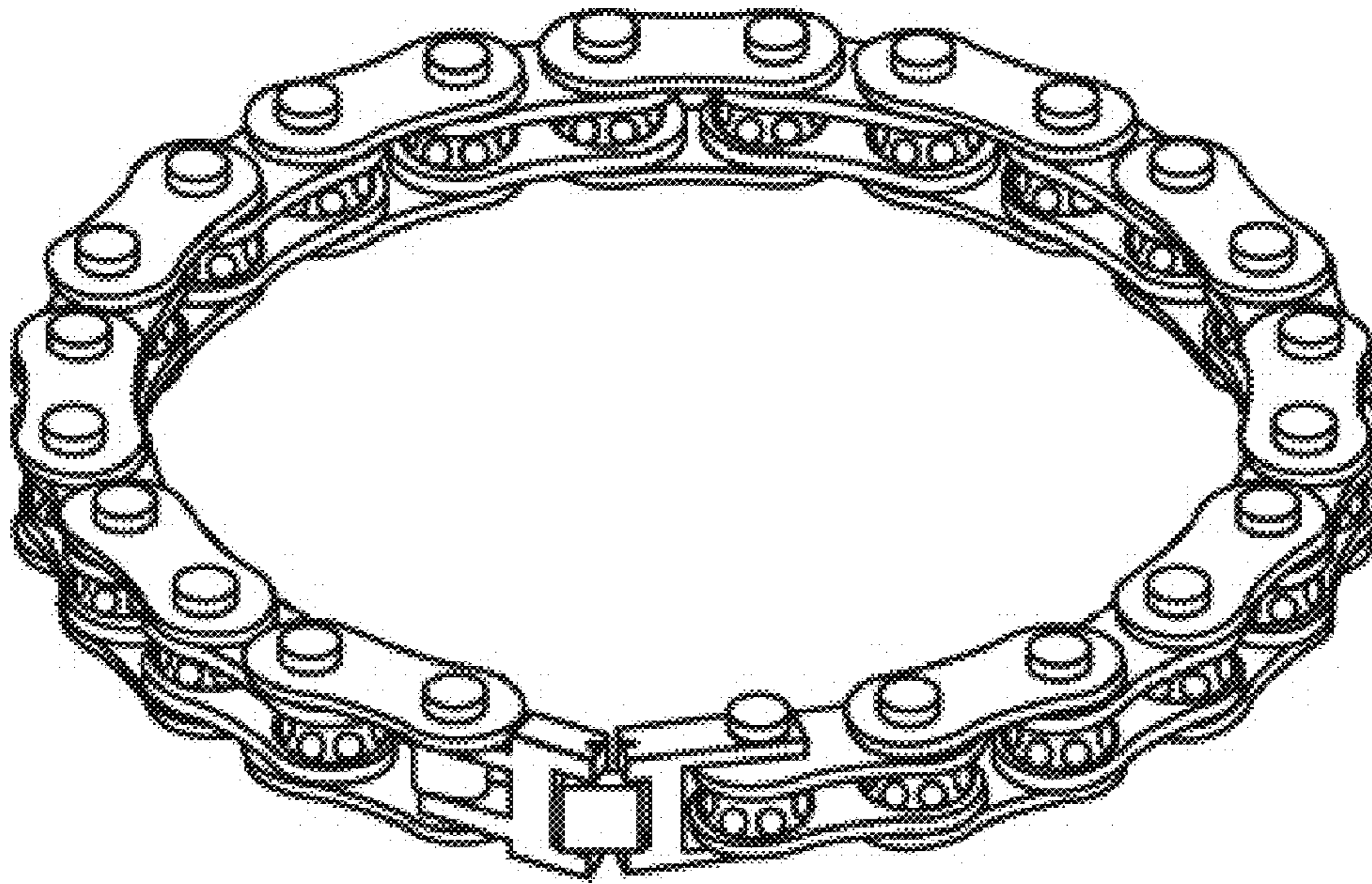


Fig. 1

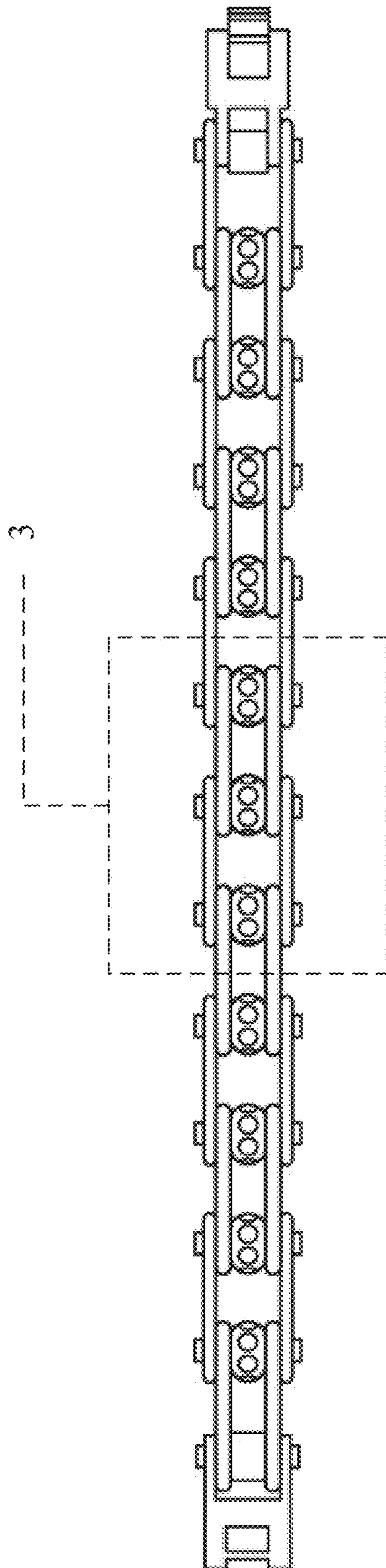


Fig. 2

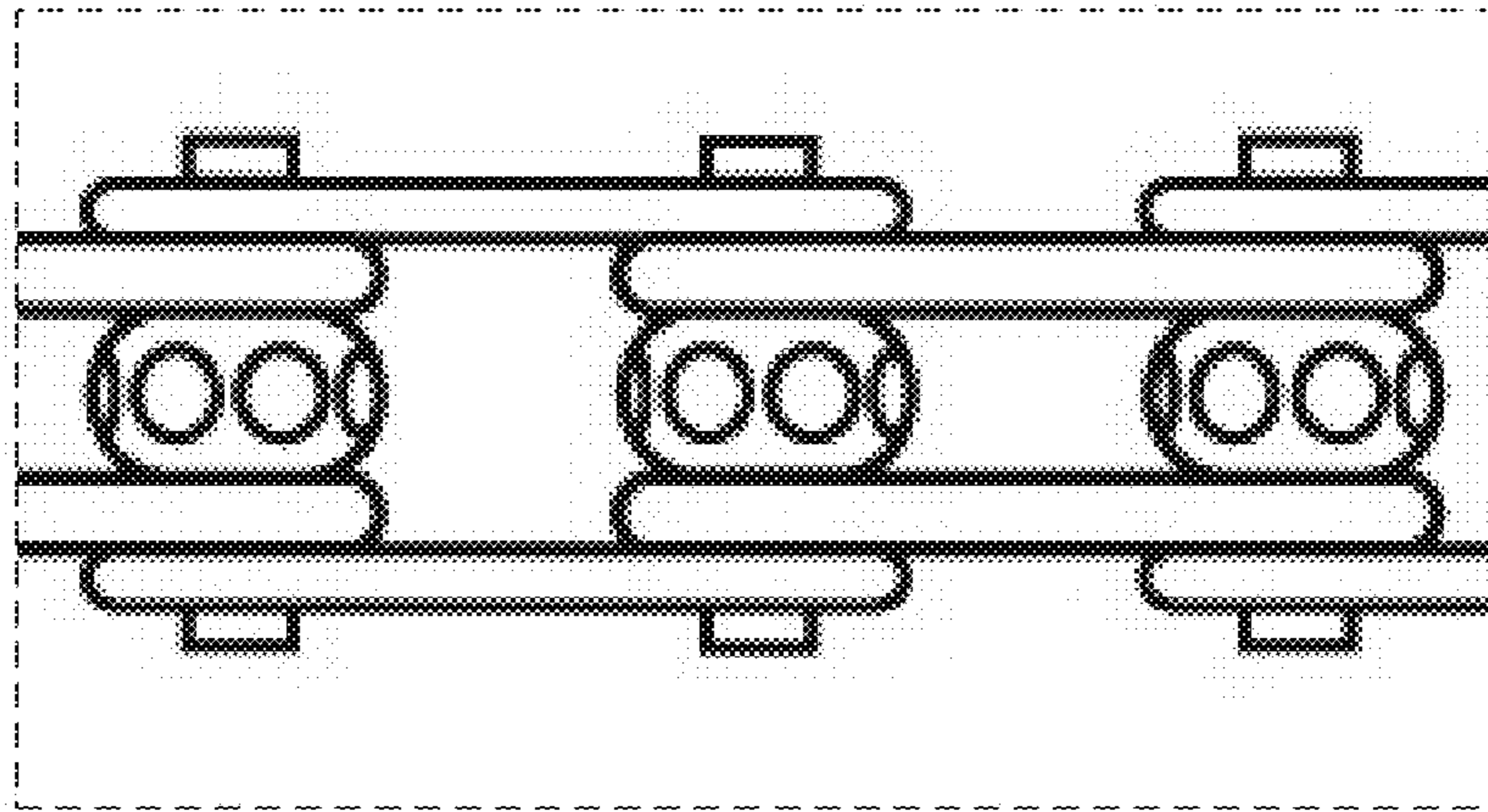


Fig. 3

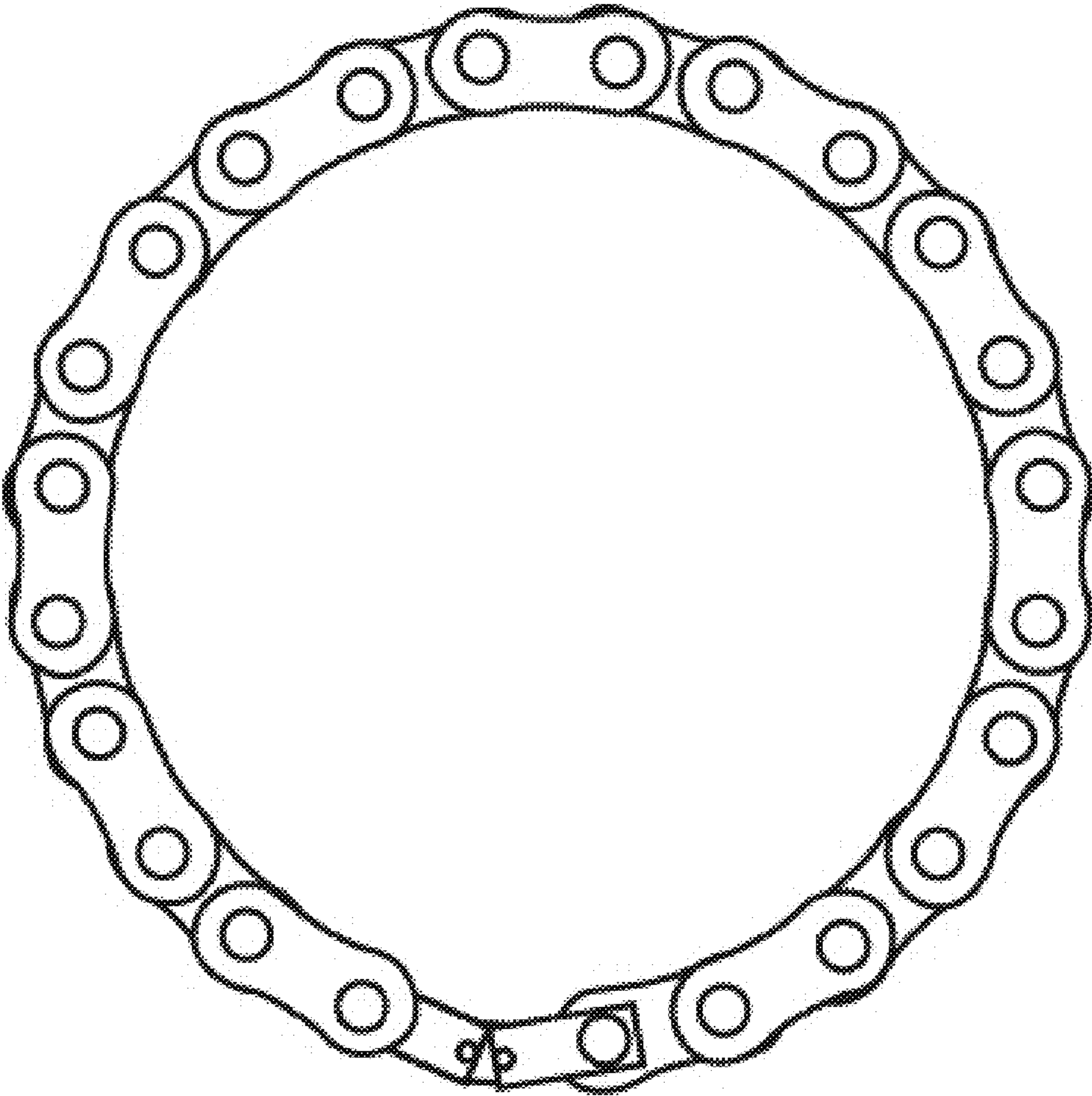


Fig. 4