



US00D719040S

(12) **United States Design Patent**
Crowe et al.

(10) **Patent No.:** **US D719,040 S**
(45) **Date of Patent:** **** Dec. 9, 2014**

(54) **ELECTRICAL TESTER**

(71) Applicant: **Milwaukee Electric Tool Corporation,**
Brookfield, WI (US)

(72) Inventors: **Jason Crowe,** Milwaukee, WI (US);
Justin Dorman, Wauwatosa, WI (US)

(73) Assignee: **Milwaukee Electric Tool Corporation,**
Brookfield, WI (US)

(**) Term: **14 Years**

(21) Appl. No.: **29/460,637**

(22) Filed: **Jul. 12, 2013**

(51) **LOC (10) Cl.** **10-04**

(52) **U.S. Cl.**

USPC **D10/78**

(58) **Field of Classification Search**

CPC G01R 1/22; G01R 1/04; G01R 15/181;
G01R 15/186; G01R 15/12; G01R 15/125;
G01R 15/02; G01D 11/24; G06F 17/00

USPC D10/78; 324/99 D, 156, 678, 66, 67,
324/158 P, 539-542, 72.5, 72, 556, 133,
324/149, 503, 543, 555, 754, 115, 141, 145,
324/508, 114; 379/21, 60, 66, 96,
379/106.01-106.11; 340/635, 687, 654;
73/866.5

See application file for complete search history.

(56) **References Cited**

U.S. PATENT DOCUMENTS

D154,699 S 8/1949 Molloy
2,581,497 A 1/1952 Podell
3,287,642 A 11/1966 Simkins
3,757,218 A 9/1973 Oliverio et al.

(Continued)

Primary Examiner — Antoine D Davis

(74) *Attorney, Agent, or Firm* — Michael Best & Friedrich LLP

(57) **CLAIM**

The ornamental design for an electrical tester, as shown and described.

DESCRIPTION

FIG. 1 is a rear perspective view of a first construction of an electrical tester.

FIG. 2 is a front view of the electrical tester of FIG. 1.

FIG. 3 is a rear view of the electrical tester of FIG. 1.

FIG. 4 is a left side view of the electrical tester of FIG. 1.

FIG. 5 is a right side view of the electrical tester of FIG. 1.

FIG. 6 is a top view of the electrical tester of FIG. 1.

FIG. 7 is a bottom view of the electrical tester of FIG. 1.

FIG. 8 is a rear perspective view of a second construction of an electrical tester including a wire clip. Wires and an alternative, pivoted position for the wire clip are also shown in broken lines.

FIG. 9 is a front view of the electrical tester of FIG. 8.

FIG. 10 is a rear view of the electrical tester of FIG. 8.

FIG. 11 is a left side view of the electrical tester of FIG. 8.

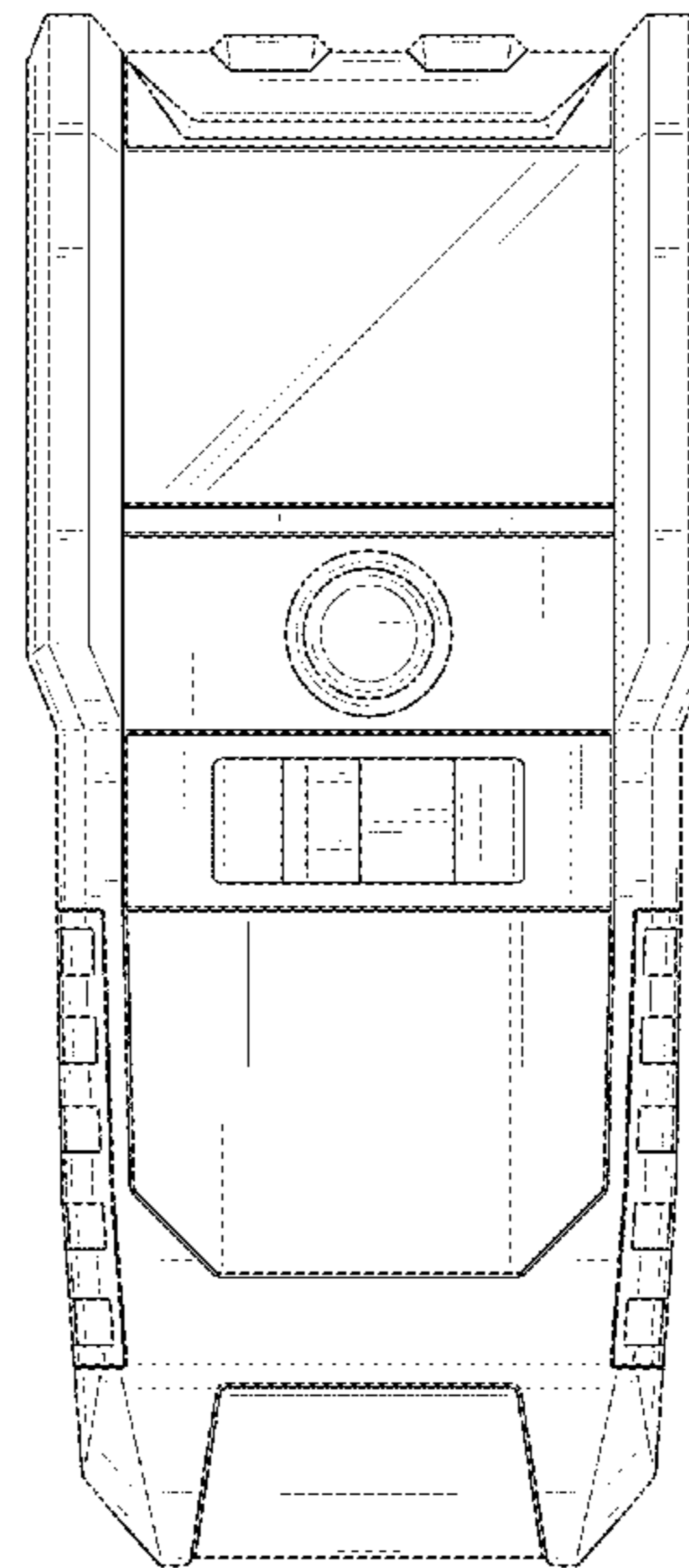
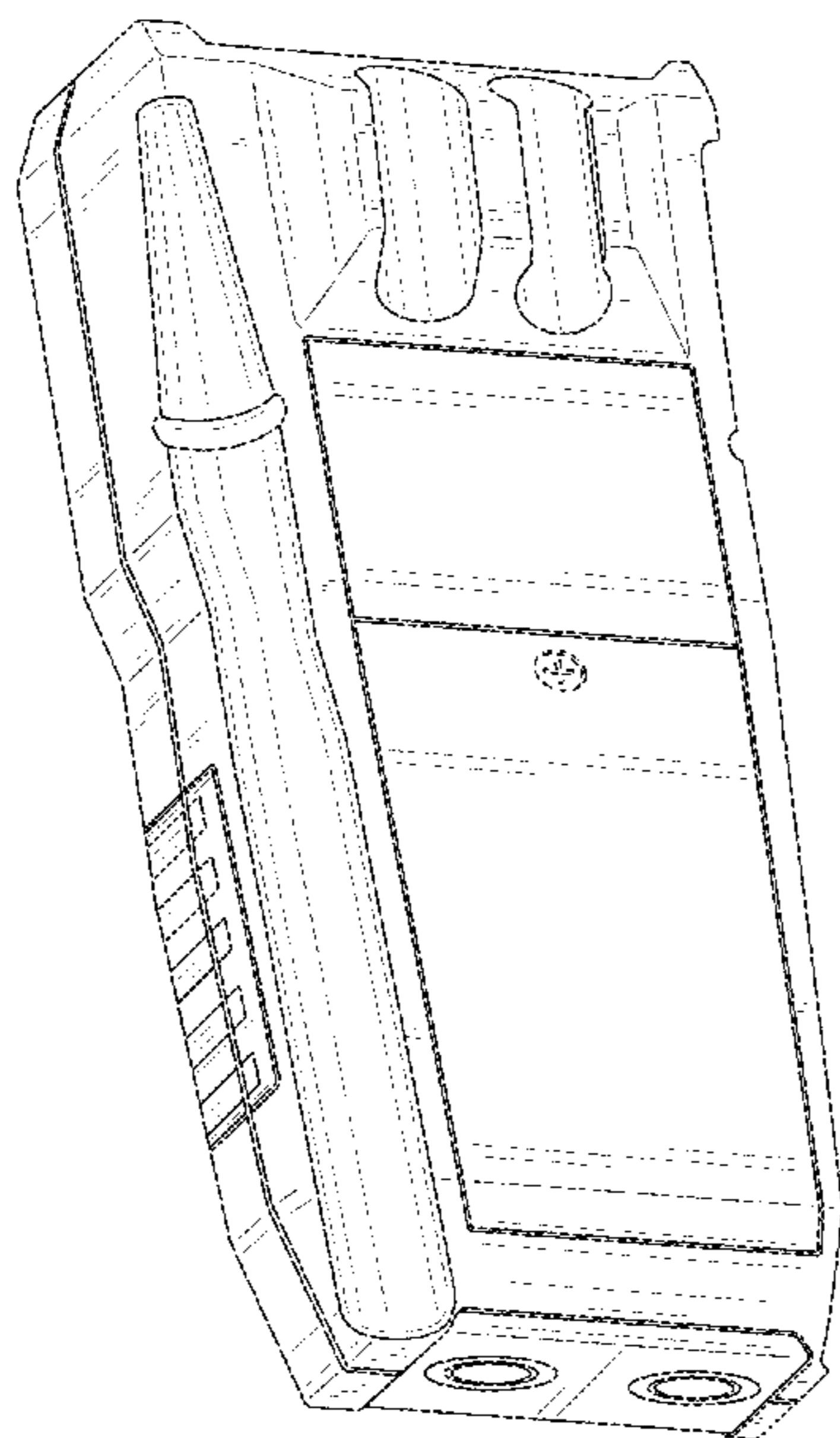
FIG. 12 is a right side view of the electrical tester of FIG. 8.

FIG. 13 is a top view of the electrical tester of FIG. 8; and,

FIG. 14 is a bottom view of the electrical tester of FIG. 8.

The ornamental design which is claimed is shown in solid lines in the drawings. The portions of the design shown in broken lines are included for the purpose of illustrating environment and form no part of the claimed design.

1 Claim, 12 Drawing Sheets



(56)

References Cited

U.S. PATENT DOCUMENTS

3,946,613 A 3/1976 Silver
 3,987,364 A 10/1976 MacCormack et al.
 D246,094 S 10/1977 Jone et al.
 4,105,968 A 8/1978 Mobley et al.
 4,176,315 A 11/1979 Sunnarborg
 4,259,635 A 3/1981 Triplett
 D297,917 S 10/1988 Adams et al.
 5,029,296 A 7/1991 Shang-Wen
 D349,860 S 8/1994 Omuro et al.
 D362,642 S 9/1995 Howse
 5,448,162 A 9/1995 Beha
 5,543,707 A 8/1996 Yoneyama et al.
 5,612,616 A 3/1997 Earle
 D391,181 S 2/1998 Beha
 5,720,628 A 2/1998 Usui et al.
 5,729,211 A 3/1998 Reichler et al.
 5,831,430 A 11/1998 Pfanstiehl et al.
 6,137,285 A 10/2000 Walsten et al.
 D446,137 S * 8/2001 Chang D10/78
 D446,734 S 8/2001 Kuramoto et al.
 D446,735 S * 8/2001 McCain D10/78
 6,400,133 B1 6/2002 Vest et al.
 6,525,665 B1 2/2003 Luebke et al.

D476,246 S 6/2003 Kuramoto et al.
 6,731,217 B1 5/2004 Warner
 6,980,417 B2 12/2005 Chang
 7,224,159 B2 5/2007 Van Deursen et al.
 7,242,173 B2 7/2007 Cavoretto
 7,304,618 B2 12/2007 Plathe
 7,312,602 B2 12/2007 Hoopengarner
 7,312,603 B2 12/2007 Luo et al.
 D559,715 S 1/2008 Marzynski et al.
 7,439,726 B2 10/2008 Luo et al.
 7,557,559 B1 7/2009 Olsson et al.
 D601,047 S * 9/2009 Chang D10/78
 7,659,710 B2 2/2010 Luo et al.
 D617,225 S 6/2010 Marzynski et al.
 D628,917 S 12/2010 Tian
 D655,212 S 3/2012 Wong
 8,358,121 B2 * 1/2013 Hudson et al. 324/115
 8,405,380 B2 * 3/2013 Marzynski et al. 324/114
 D679,615 S * 4/2013 Marzynski et al. D10/78
 D704,579 S * 5/2014 Heishi et al. D10/78
 D705,099 S * 5/2014 Heishi et al. D10/78
 D705,681 S * 5/2014 Morishita et al. D10/78
 2011/0156696 A1 6/2011 Cheek et al.
 2013/0033253 A1 2/2013 Liu
 2013/0093449 A1 4/2013 Laurino et al.

* cited by examiner

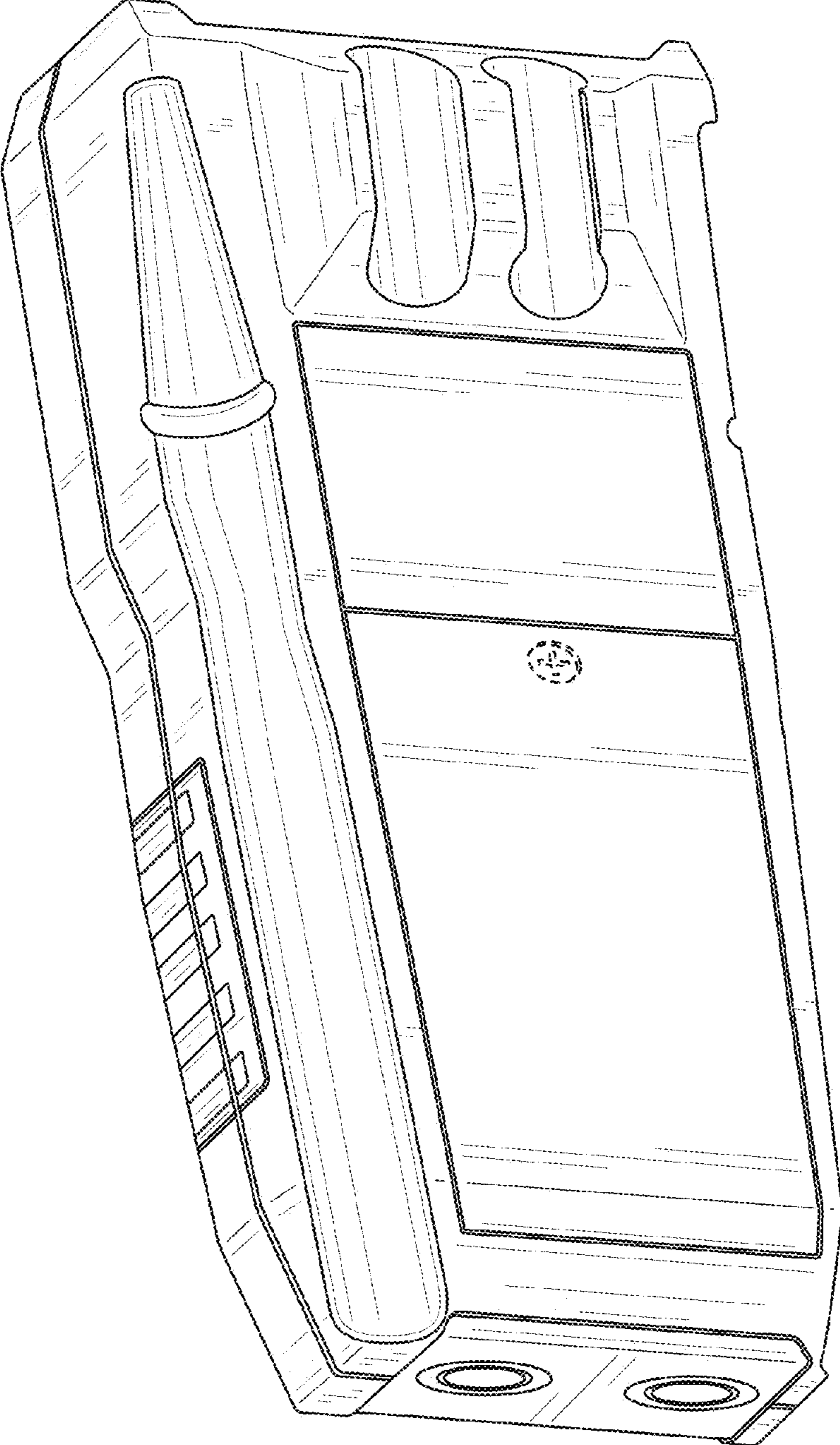


FIG. 1

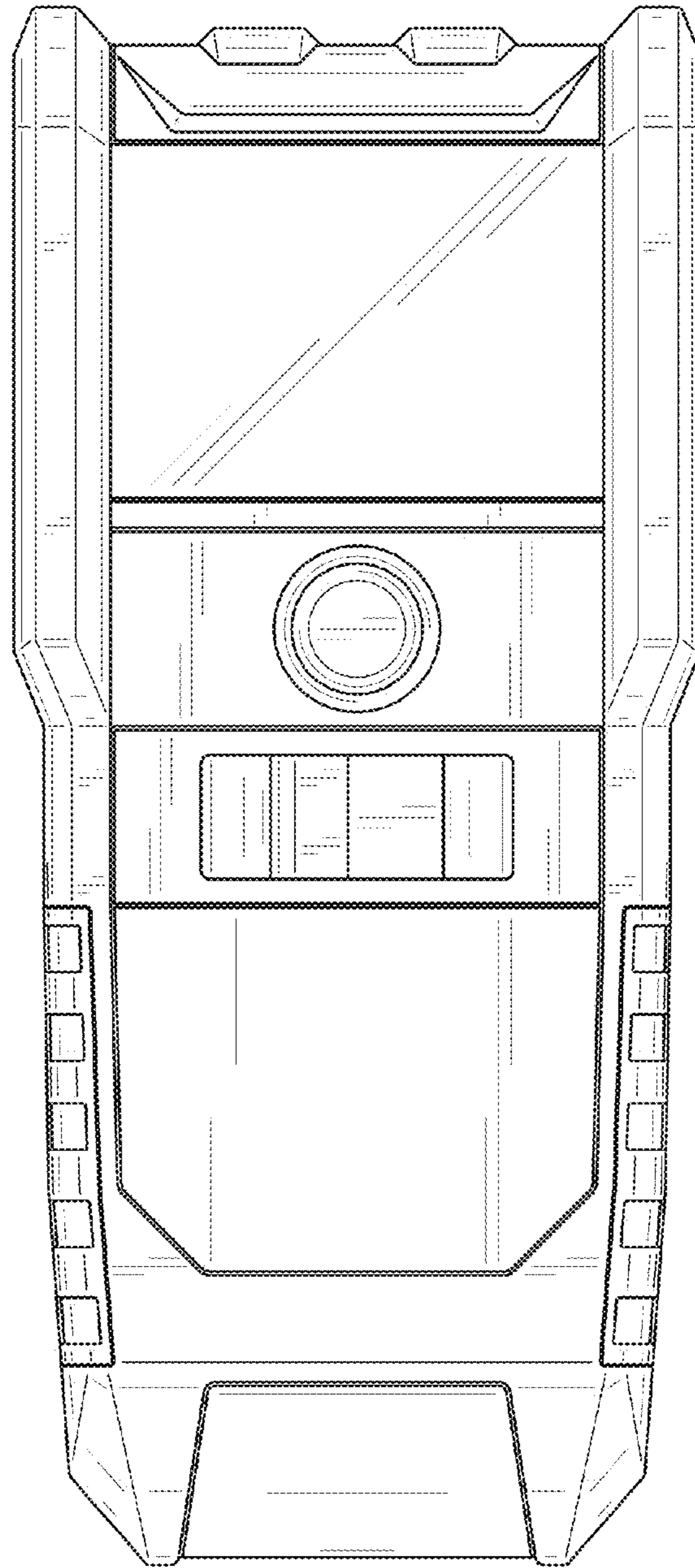


FIG. 2

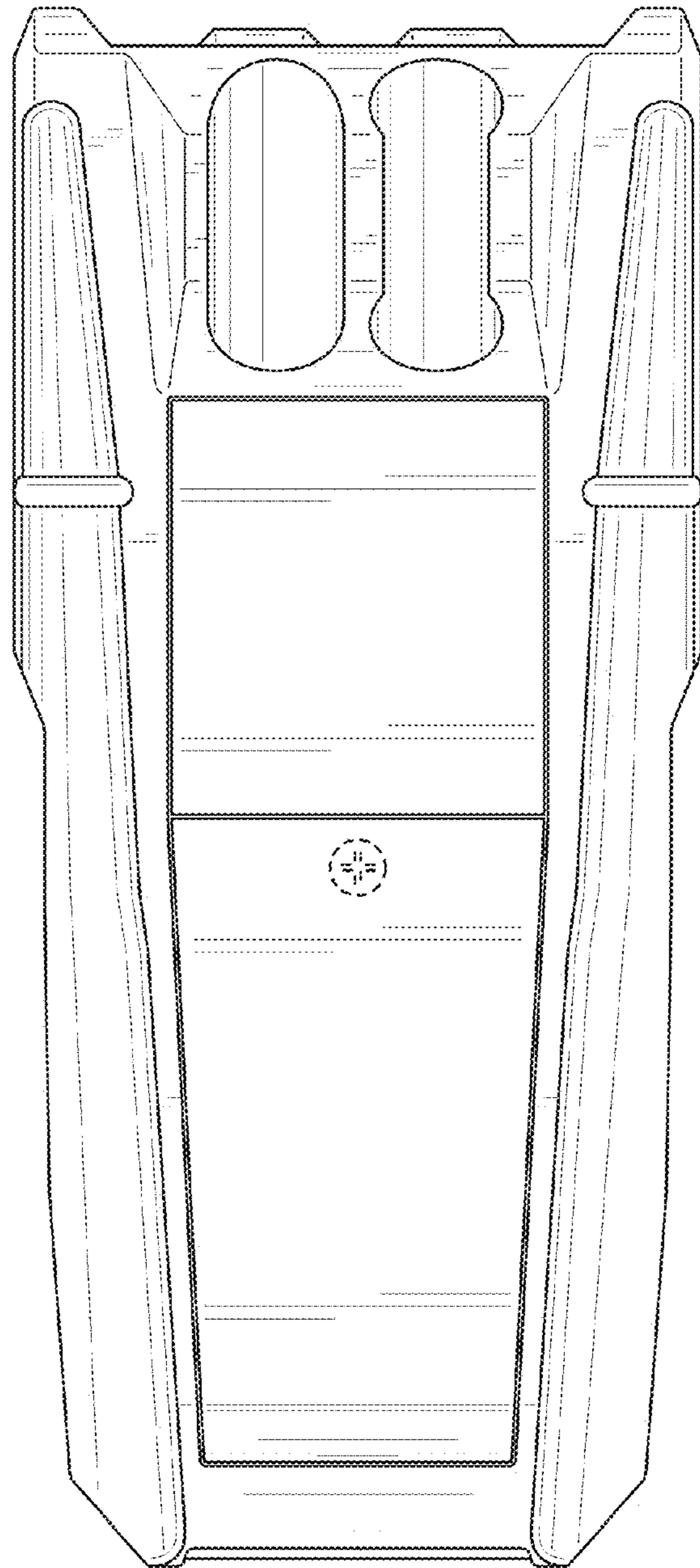


FIG. 3

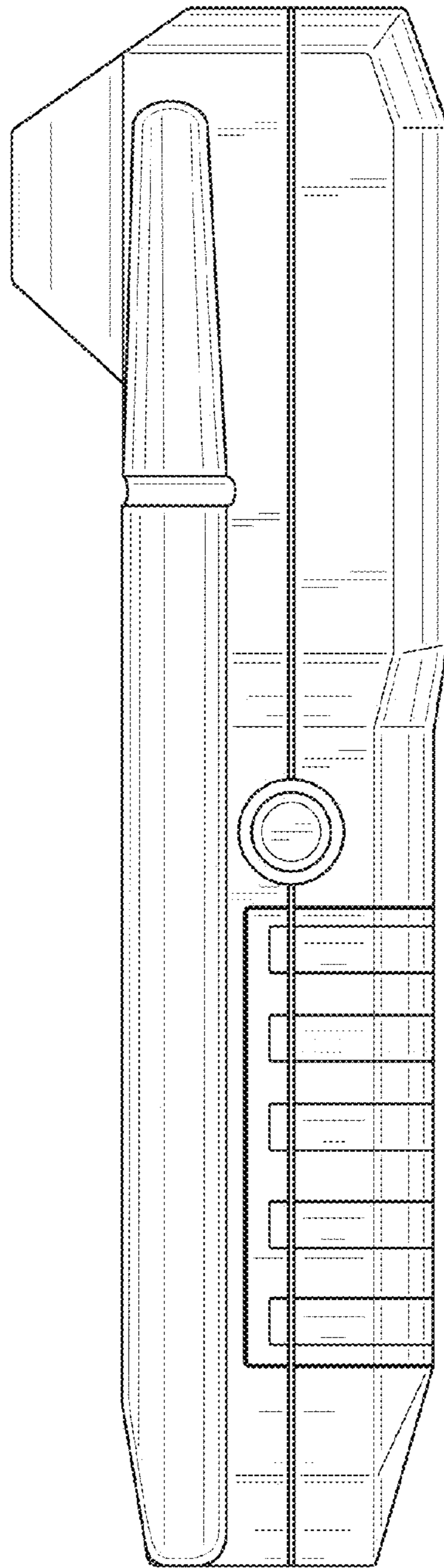


FIG. 4

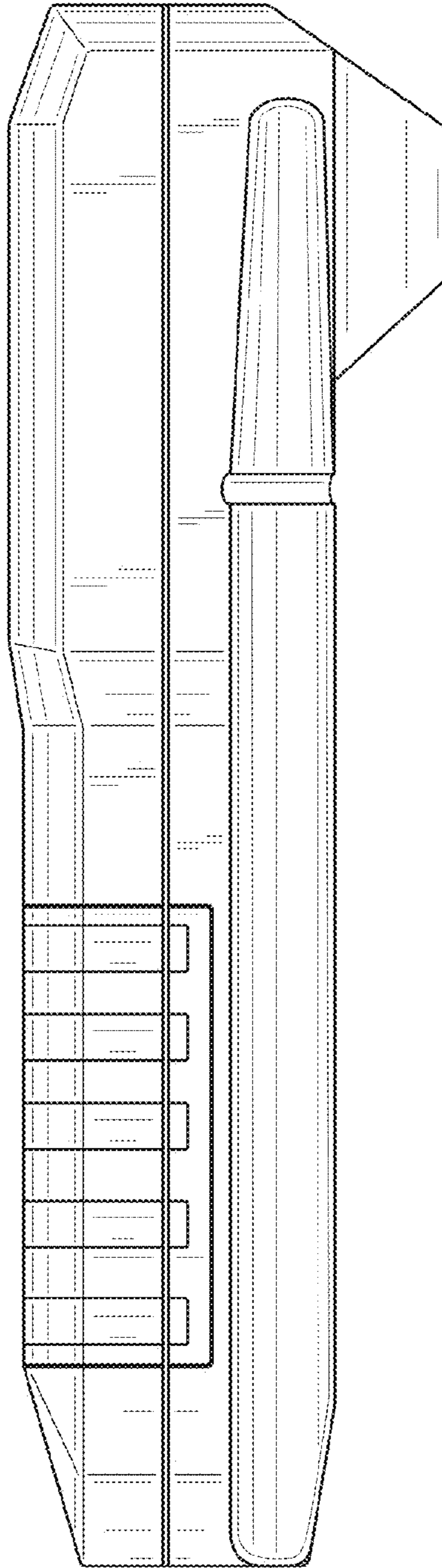


FIG. 5

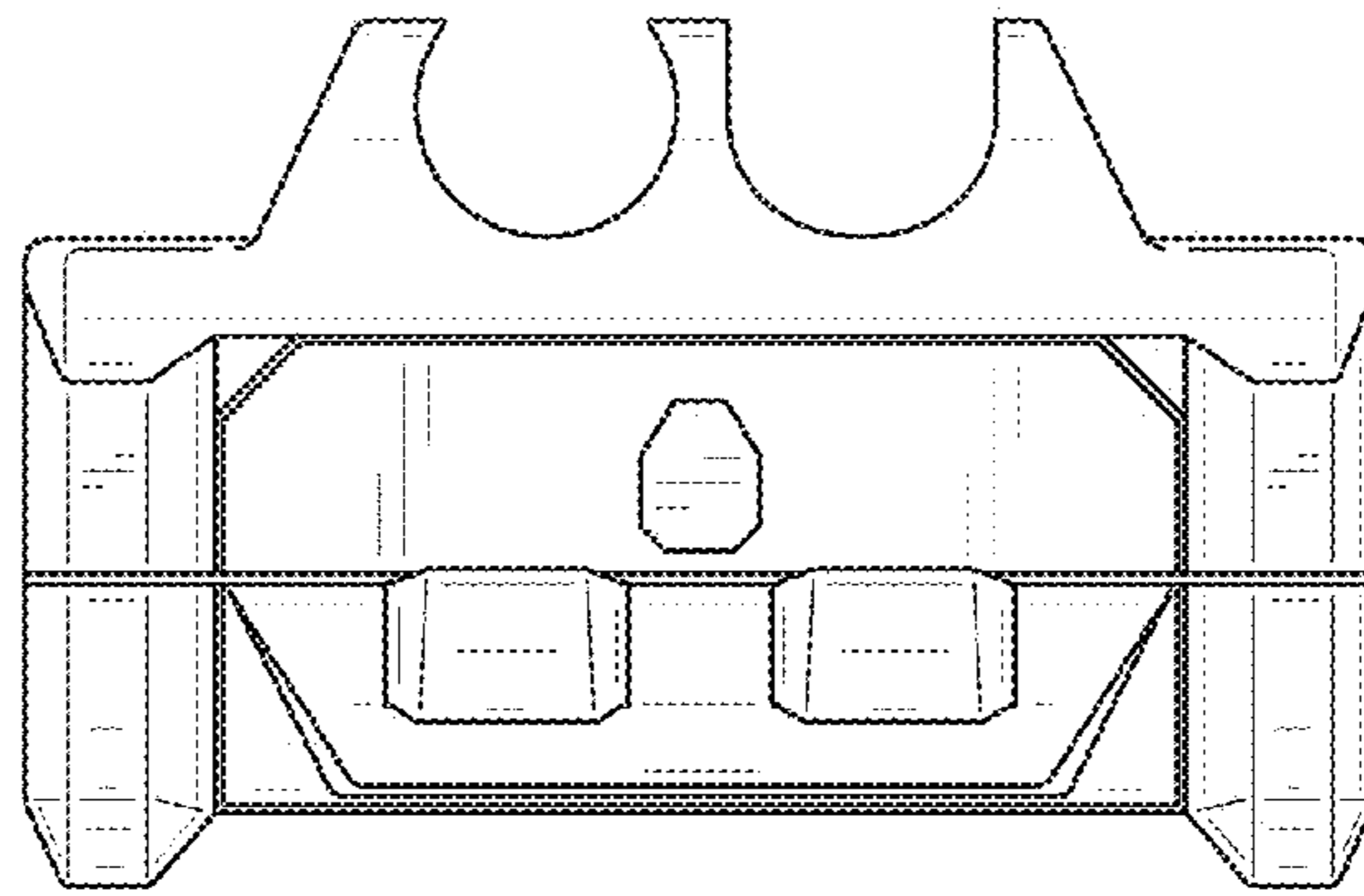


FIG. 6

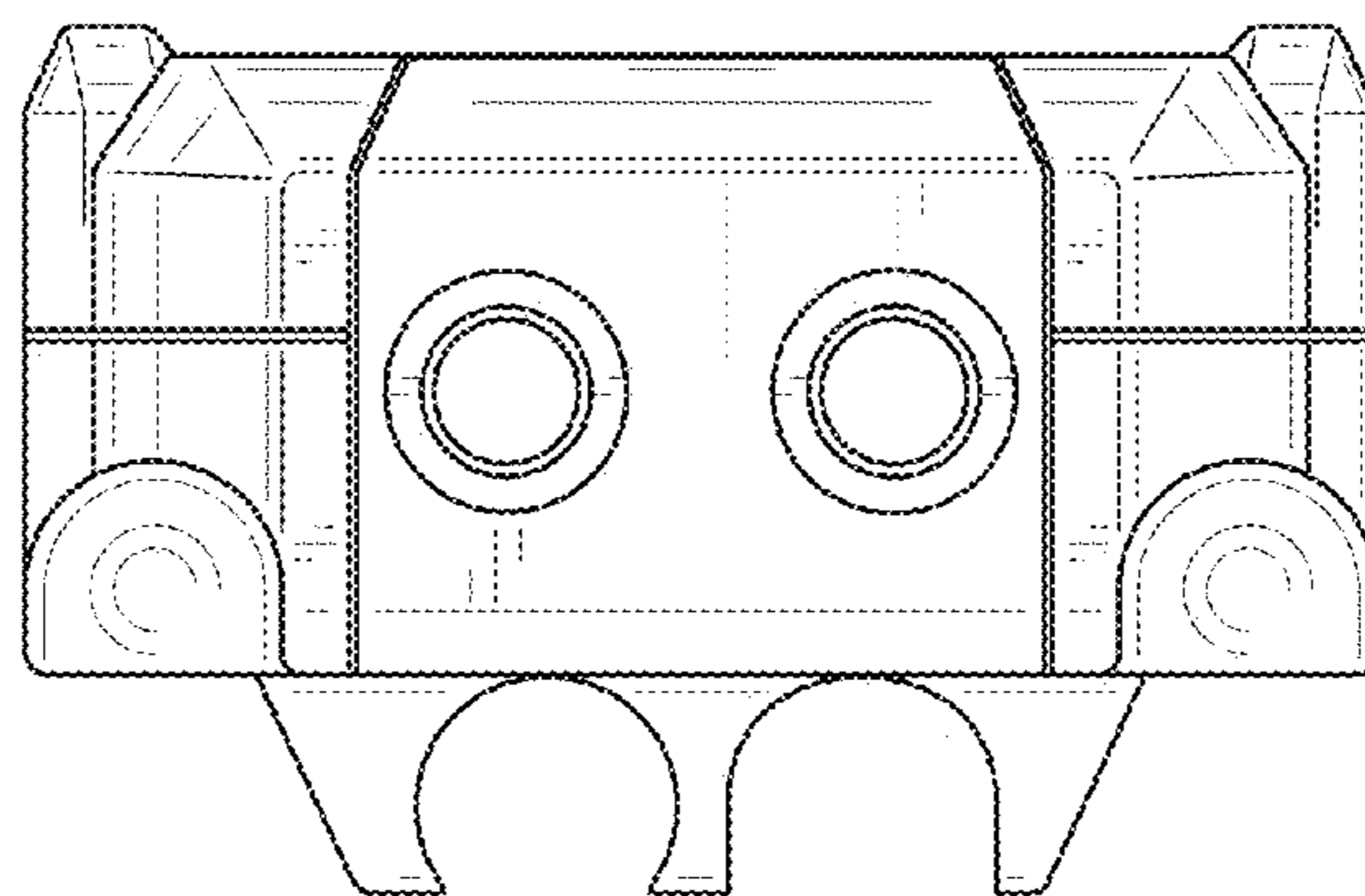


FIG. 7

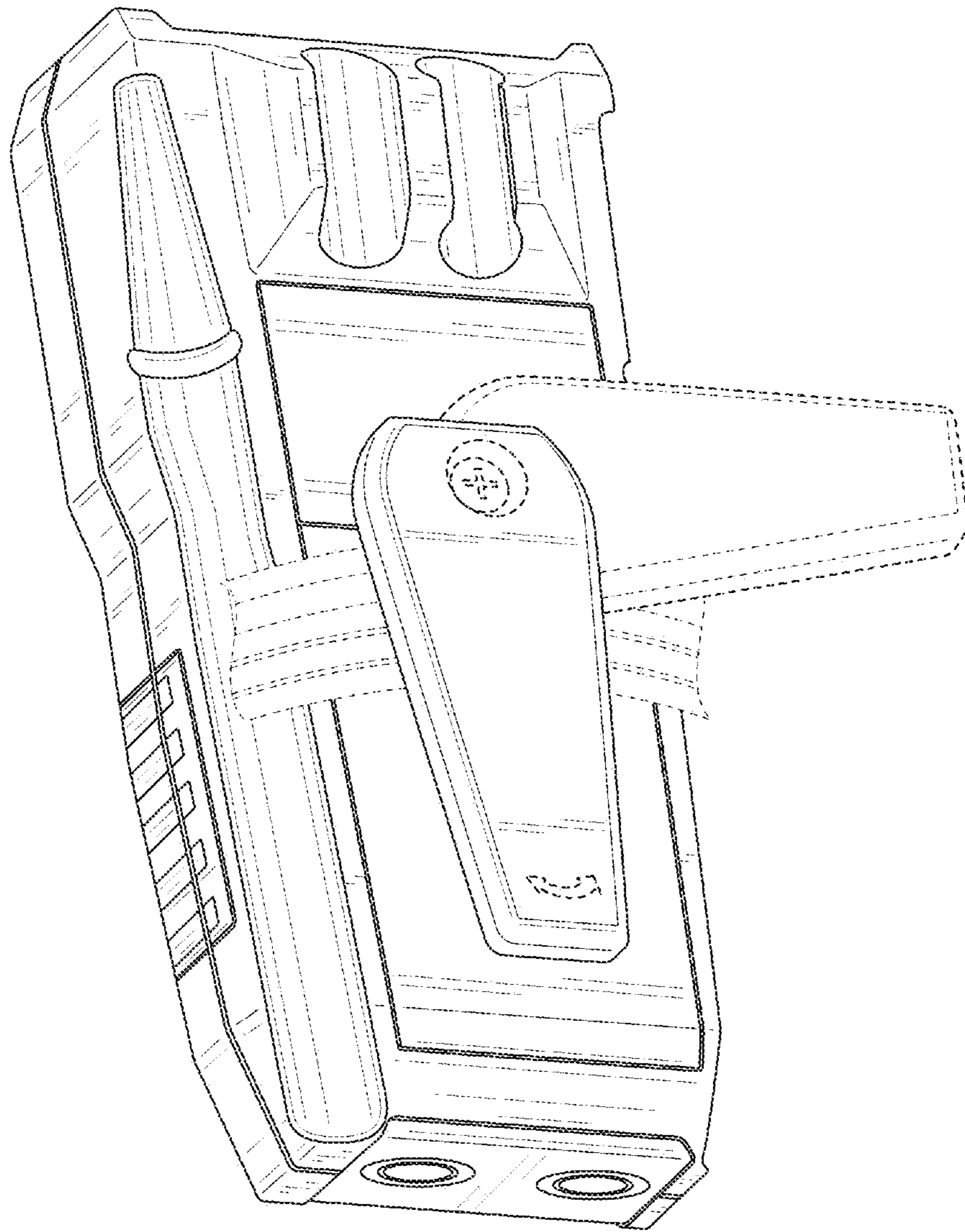


FIG. 8

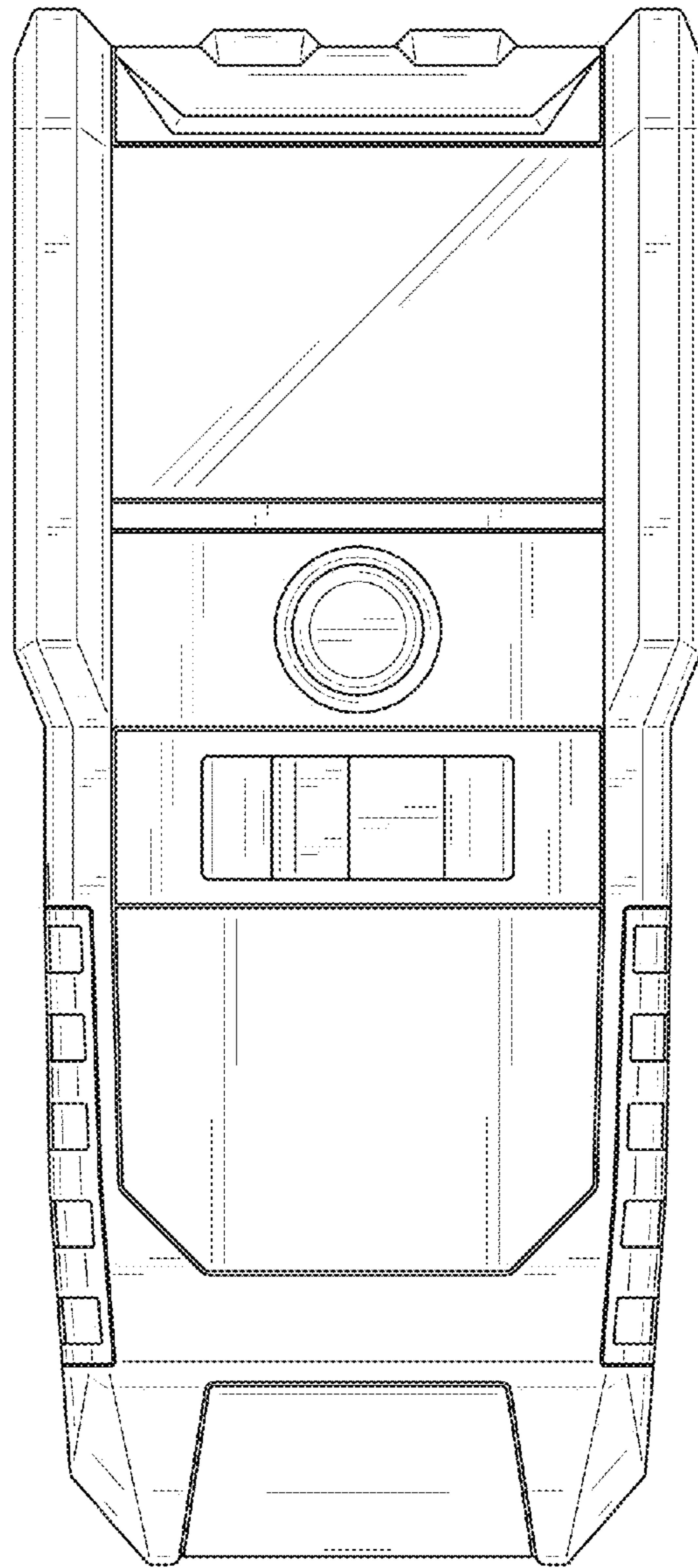


FIG. 9

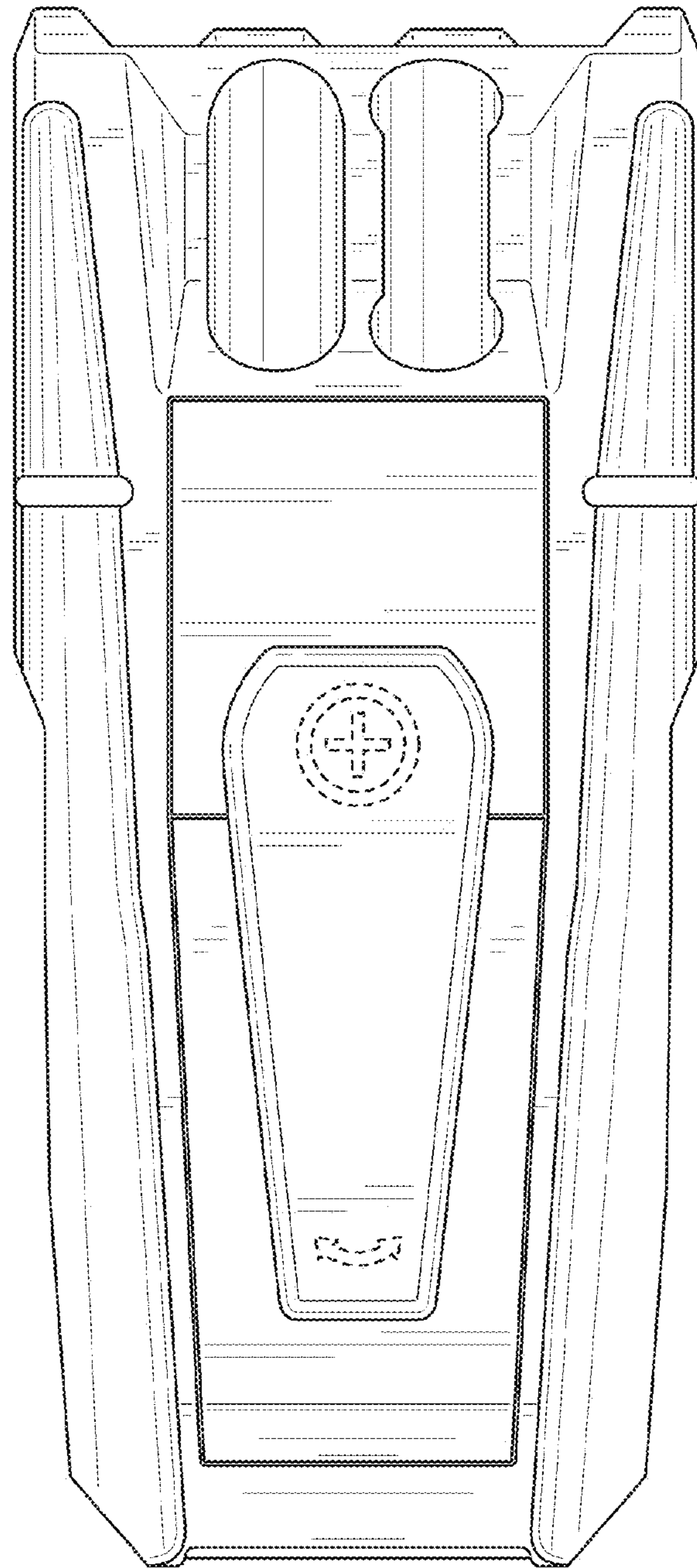


FIG. 10

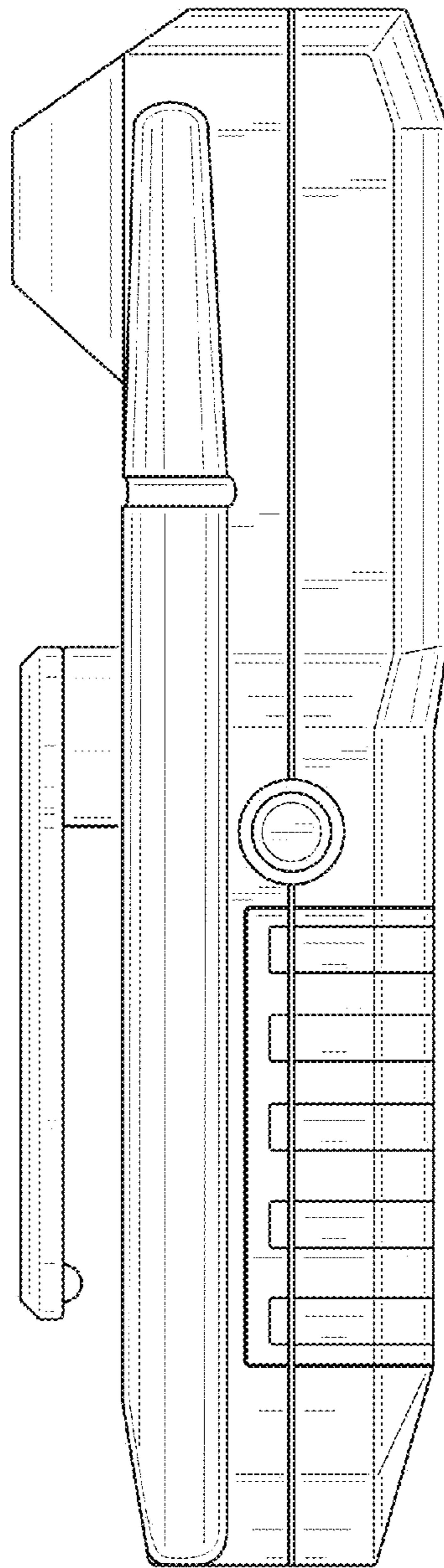


FIG. 11

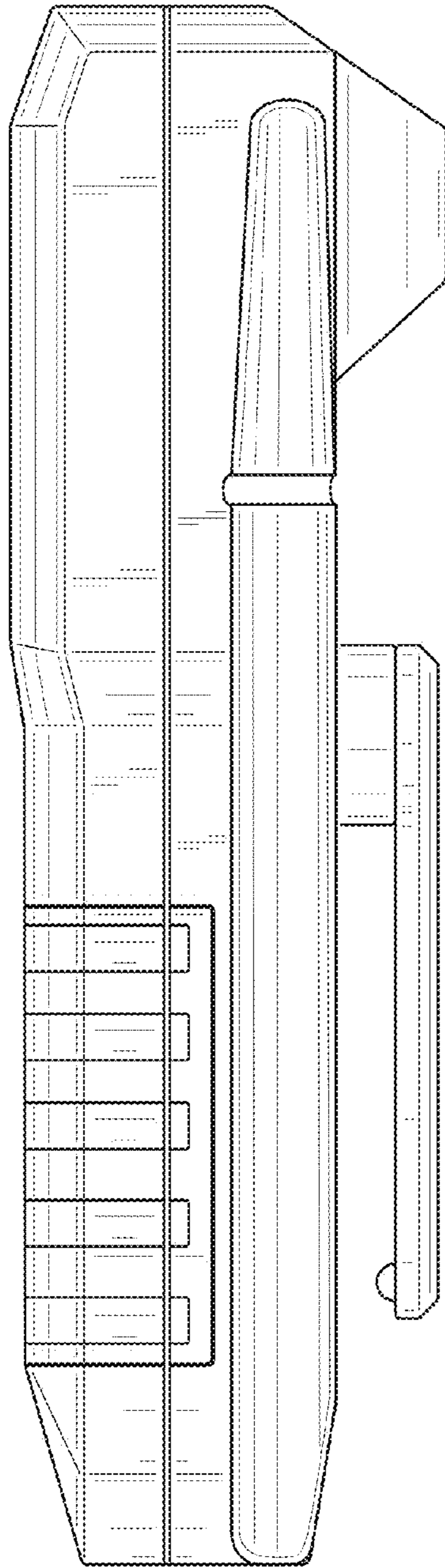


FIG. 12

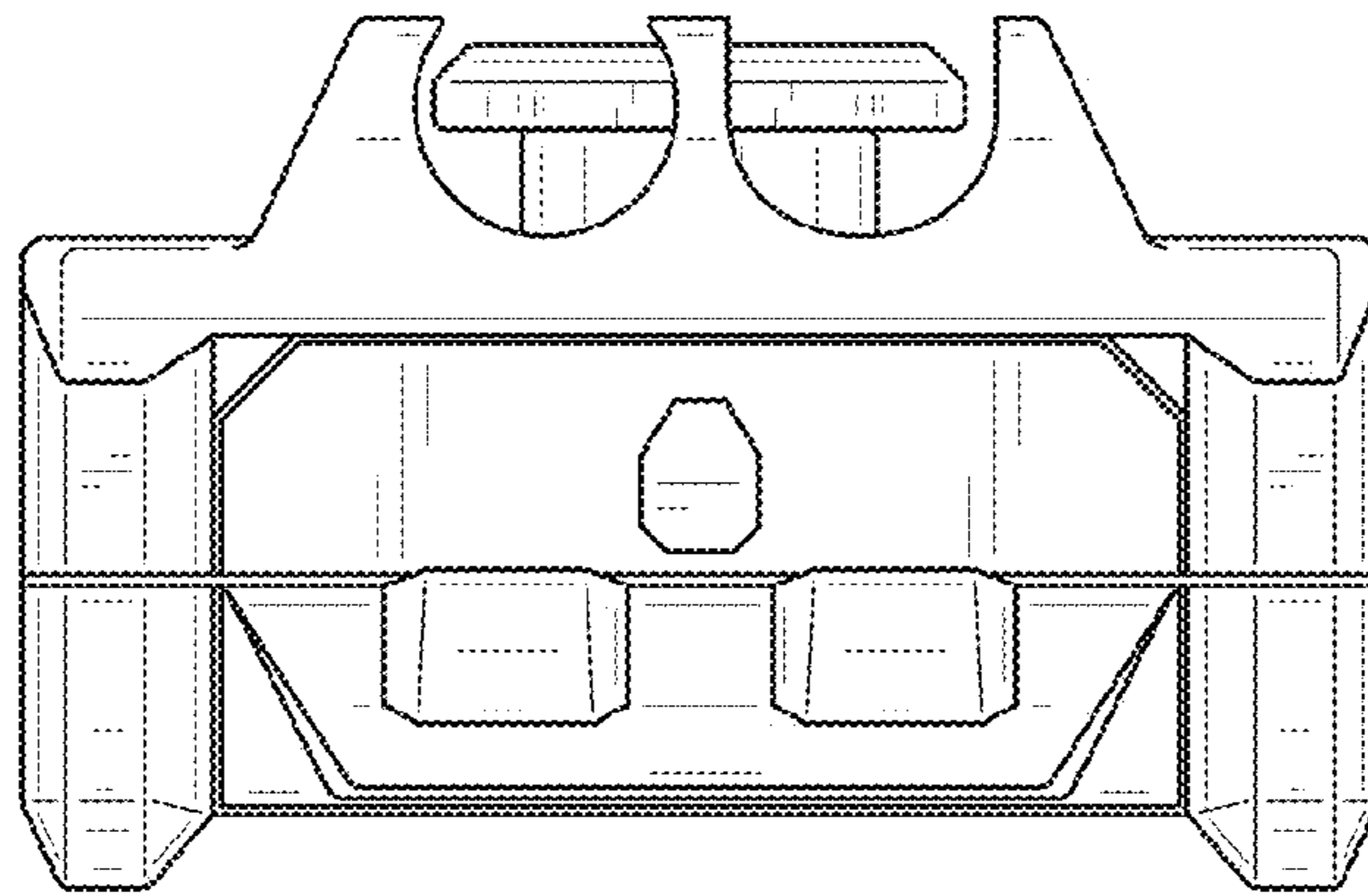


FIG. 13

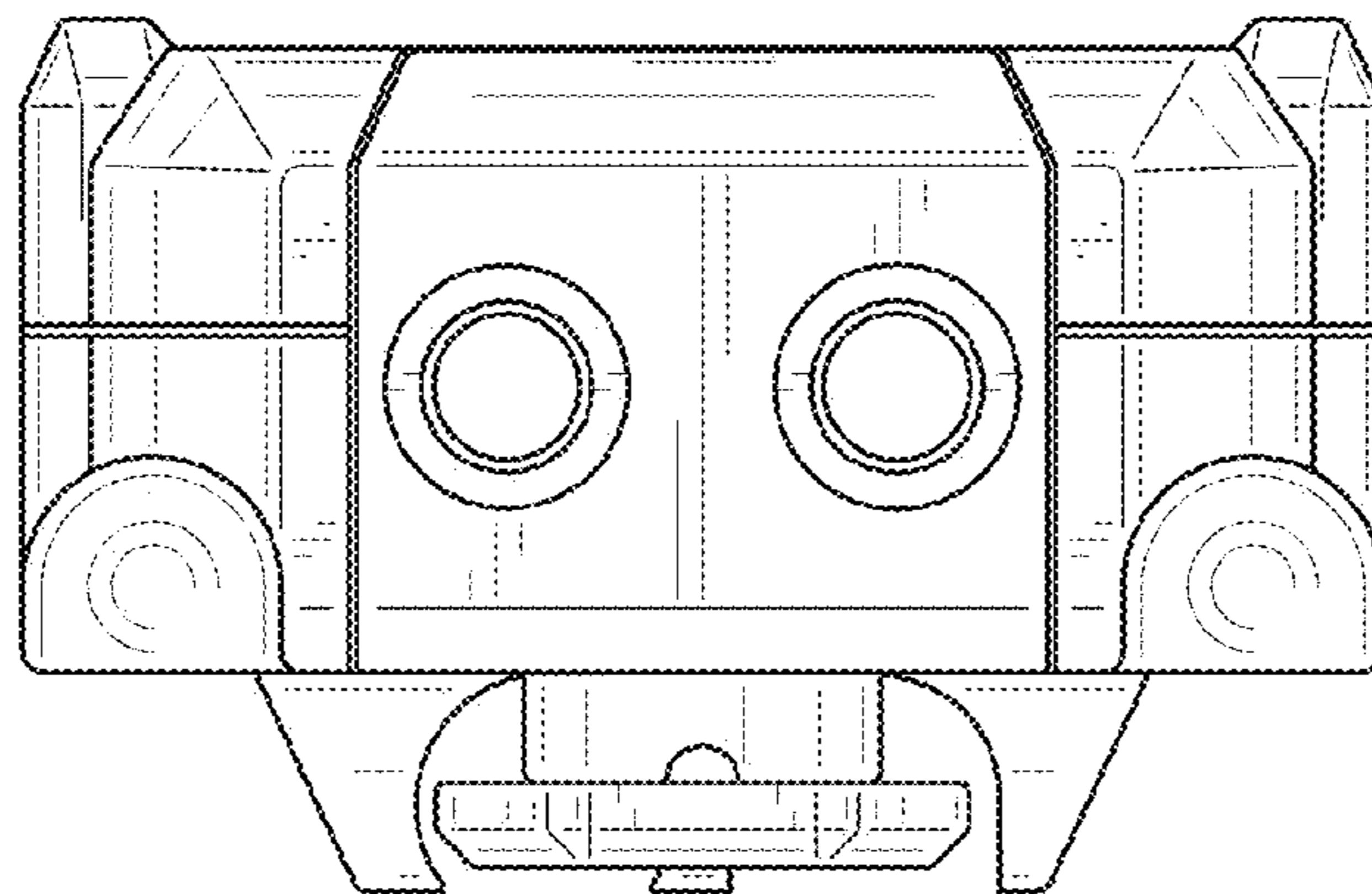


FIG. 14