



US00D719039S

(12) **United States Design Patent**
Chang et al.

(10) **Patent No.:** **US D719,039 S**
(45) **Date of Patent:** **** Dec. 9, 2014**

(54) **IMAGE MEASURING DEVICE**

(71) Applicant: **Hon Hai Precision Industry Co., Ltd.**,
New Taipei (TW)

(72) Inventors: **Chih-Kuang Chang**, New Taipei (TW);
Zhong-Kui Yuan, Shenzhen (CN);
Xiao-Guang Xue, Shenzhen (CN);
Jun-Hua Li, Shenzhen (CN)

(73) Assignee: **Hon Hai Precision Industry Co., Ltd.**,
New Taipei (TW)

(**) Term: **14 Years**

(21) Appl. No.: **29/460,875**

(22) Filed: **Jul. 16, 2013**

(30) **Foreign Application Priority Data**

Jul. 8, 2013 (CN) 2013 3 03141192

(51) **LOC (10) Cl.** **10-04**

(52) **U.S. Cl.**
USPC **D10/63; D10/81**

(58) **Field of Classification Search**
CPC G01B 5/008; G01B 5/016; G01B 11/03;
G01B 11/24; G05B 19/401; G05B 19/4207;
G02B 21/082; G02B 21/241; G02B 21/0016;
G02B 21/0076; G02B 21/086; G02B 21/16
USPC D10/63; 33/503–505, 558;
382/106–127, 135–154

See application file for complete search history.

(56) **References Cited**

U.S. PATENT DOCUMENTS

7,599,073	B2 *	10/2009	Yoshiki	356/614
8,303,125	B2 *	11/2012	Chang et al.	362/6
8,559,119	B2 *	10/2013	Seifert	359/821
8,650,767	B2 *	2/2014	Matsumiya et al.	33/503
8,749,882	B2 *	6/2014	Kennedy	359/385

* cited by examiner

Primary Examiner — Antoine D Davis

(74) *Attorney, Agent, or Firm* — Novak Druce Connolly
Bove + Quigg LLP

(57) **CLAIM**

The ornamental design for an image measuring device, as shown and described.

DESCRIPTION

FIG. 1 is a perspective view of an image measuring device showing our new design;

FIG. 2 is a front elevational view thereof;

FIG. 3 is a rear elevational view thereof;

FIG. 4 is a left side elevational view thereof;

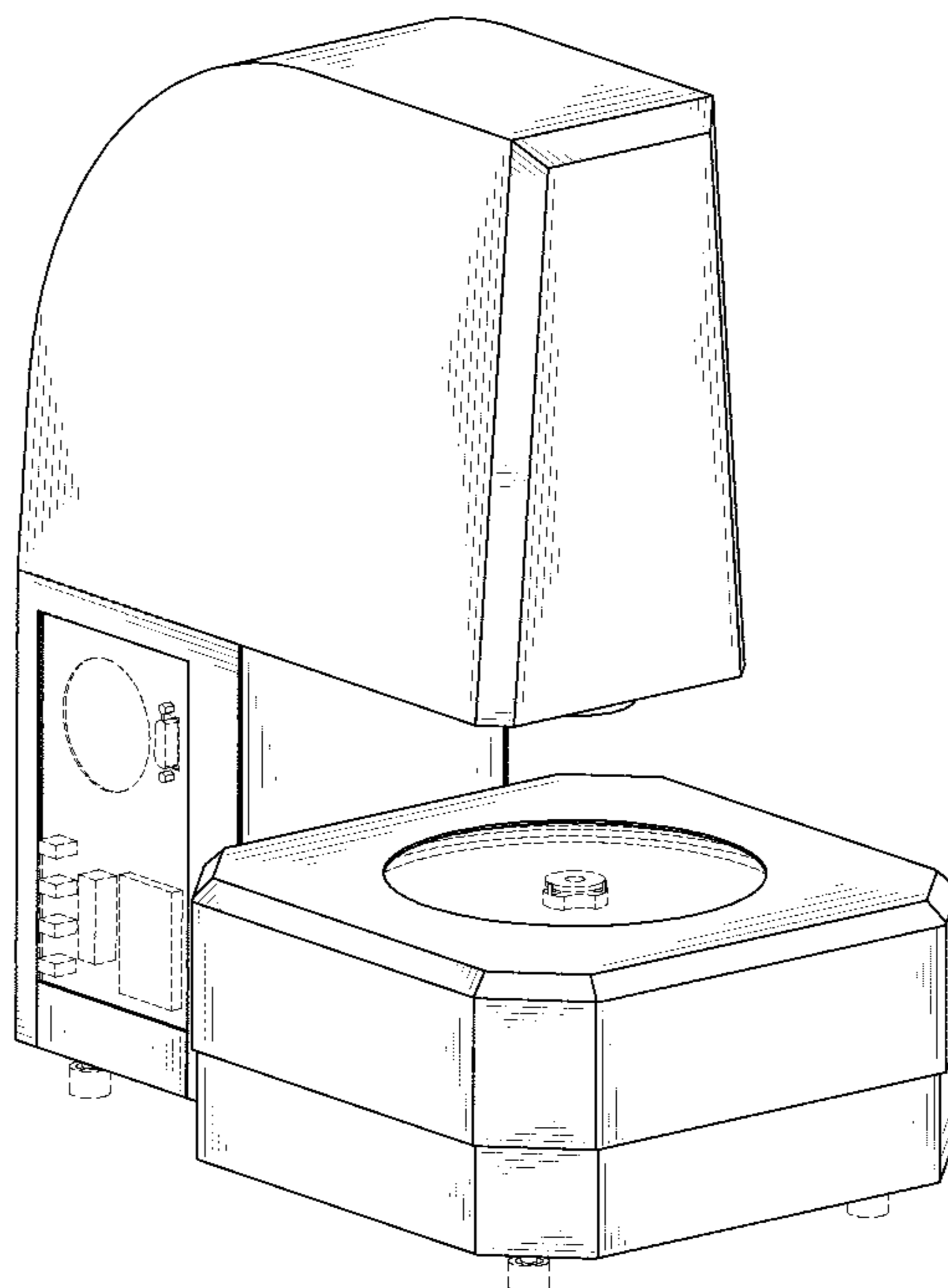
FIG. 5 is a right side elevational view thereof;

FIG. 6 is a top plan view thereof; and,

FIG. 7 is a bottom plan view thereof.

The broken lines are for illustrative purposes only and form no part of the claimed design.

1 Claim, 7 Drawing Sheets



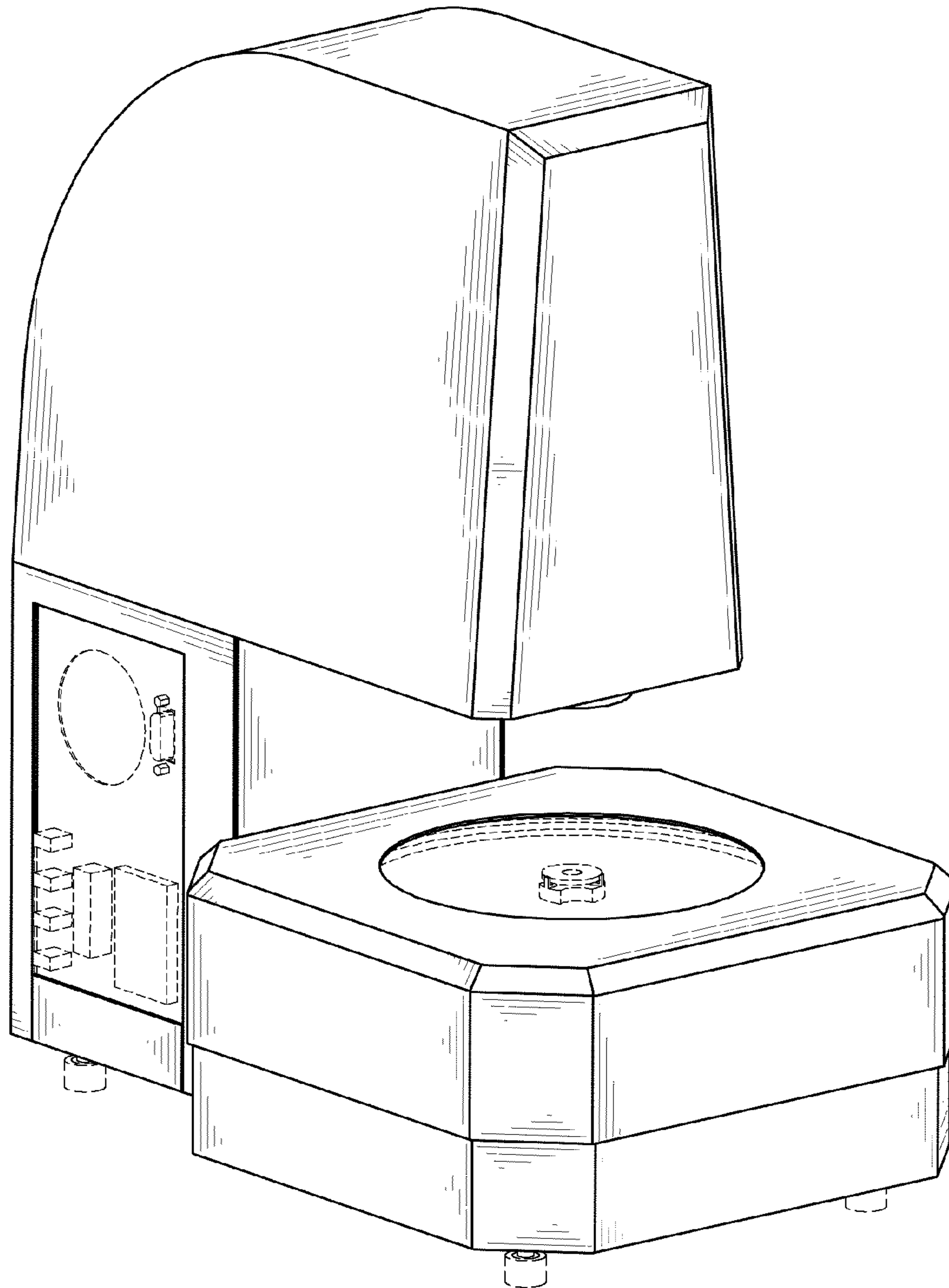


FIG. 1

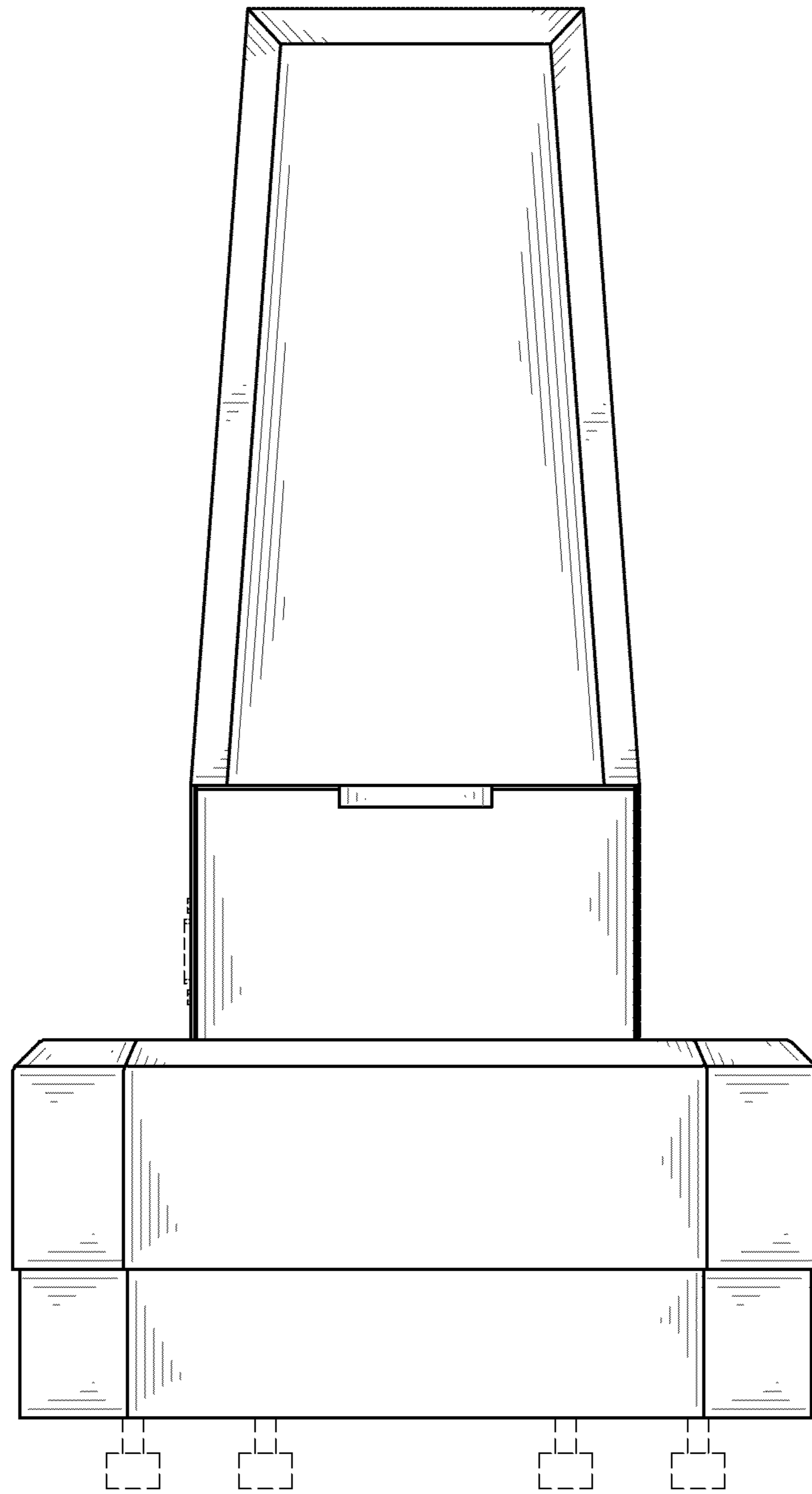


FIG. 2

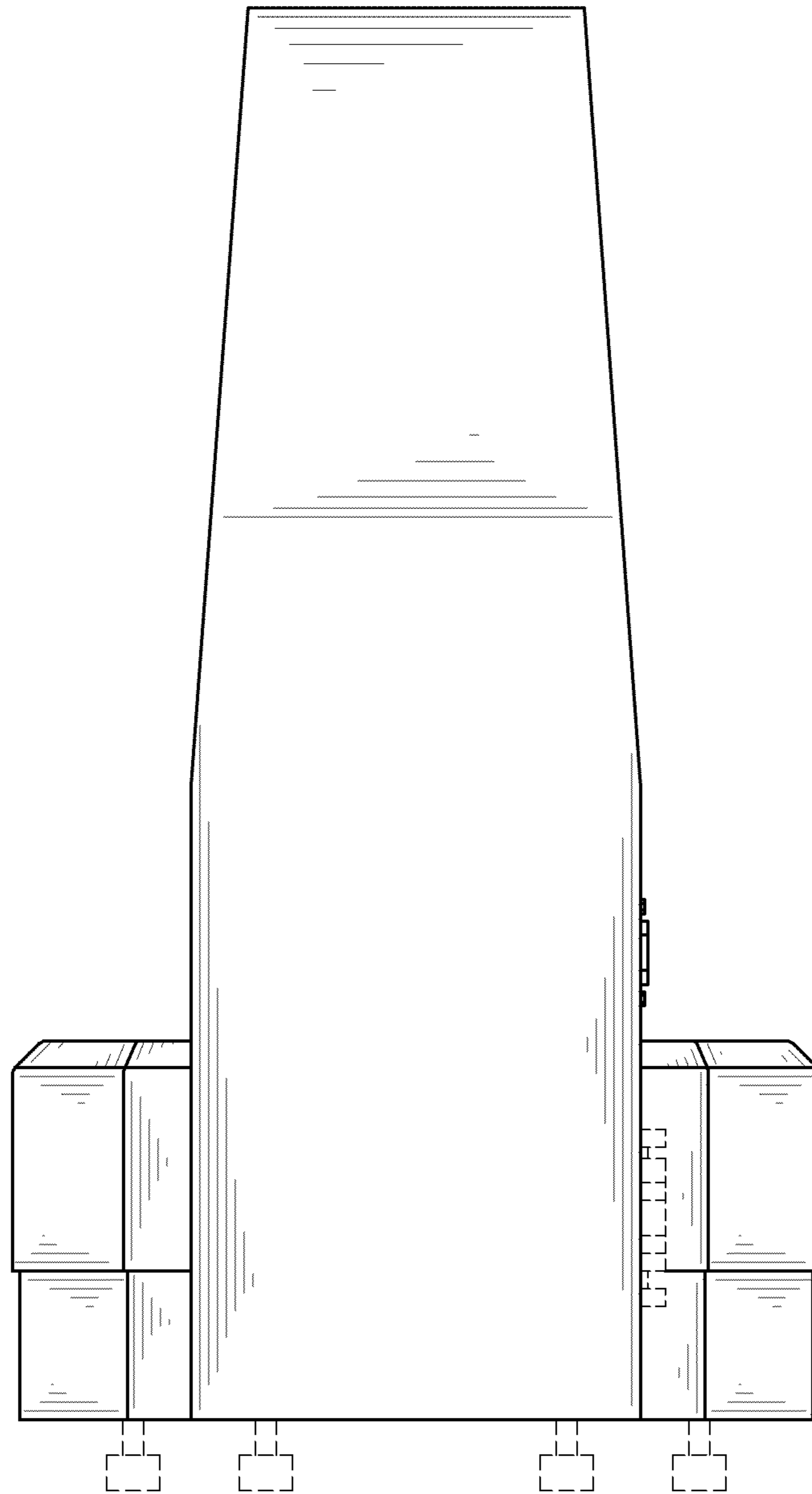


FIG. 3

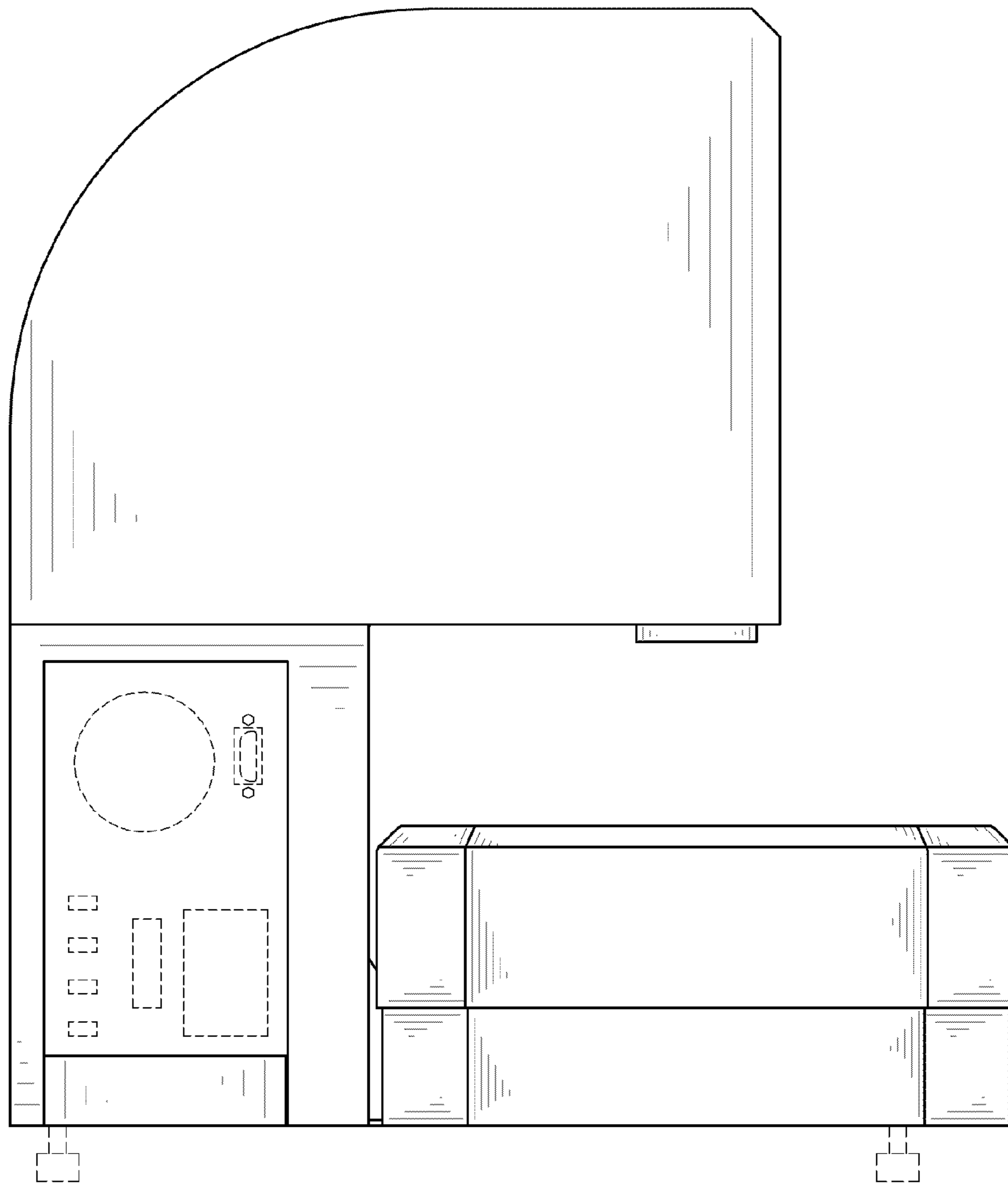


FIG. 4

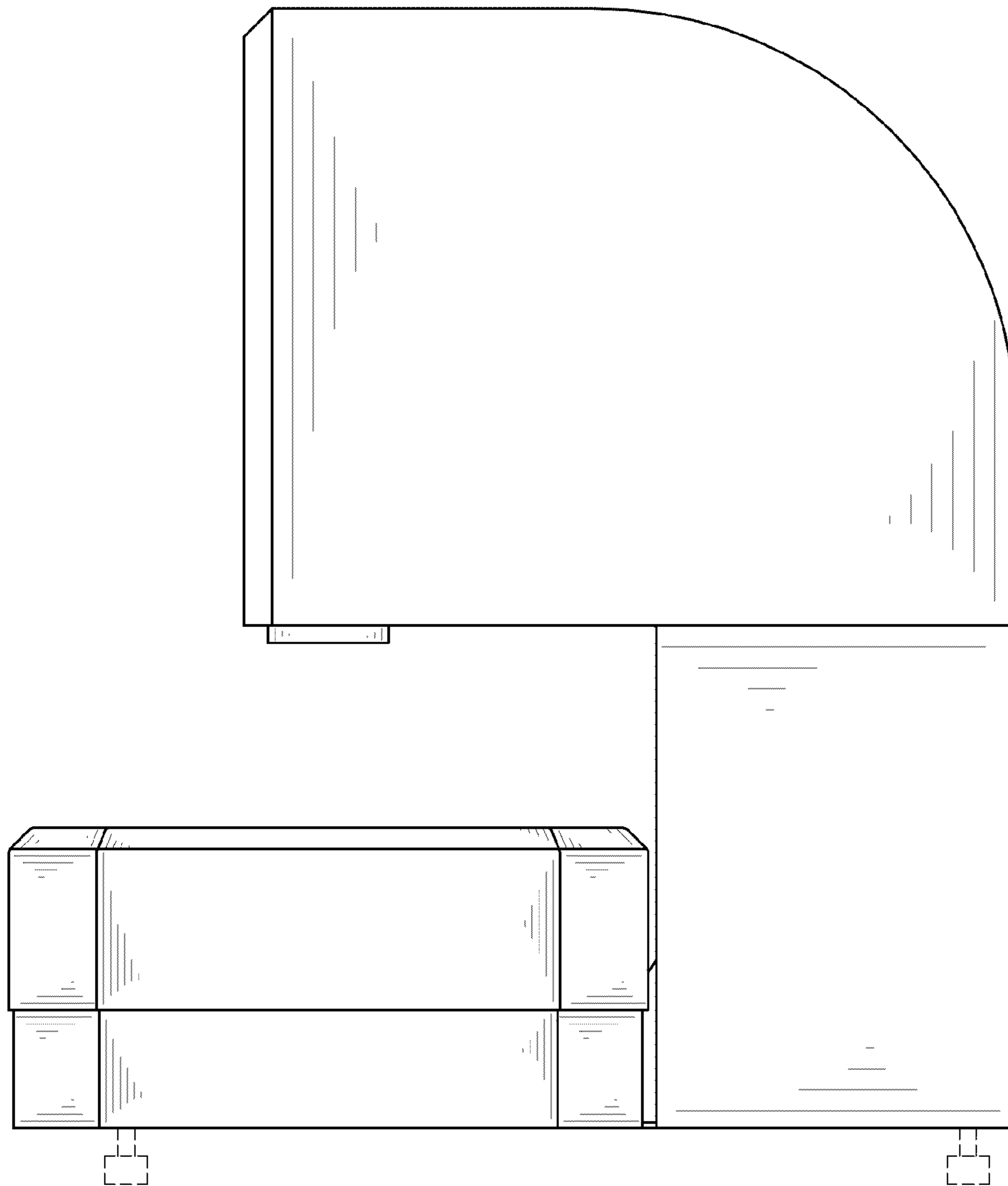


FIG. 5

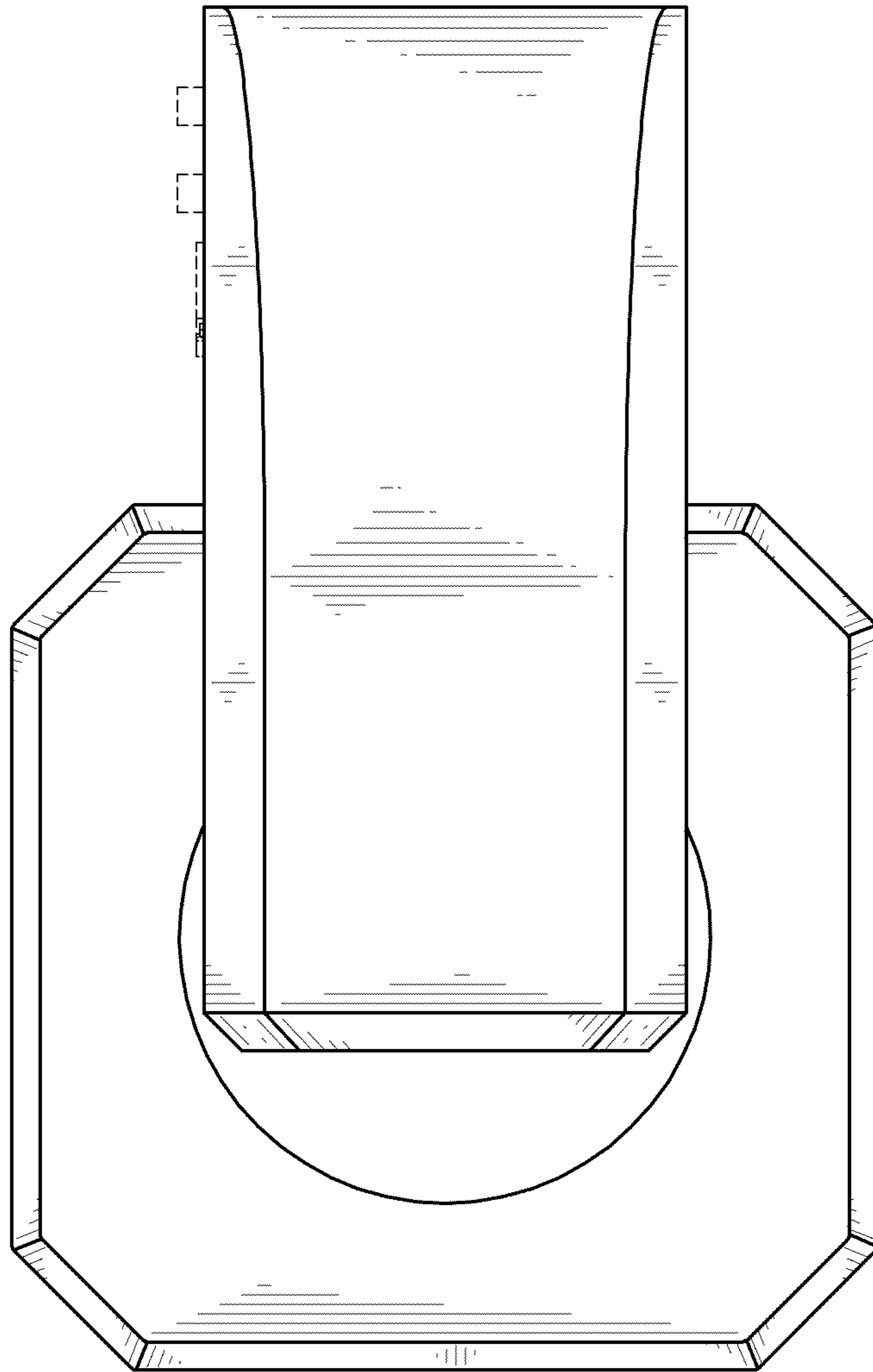


FIG. 6

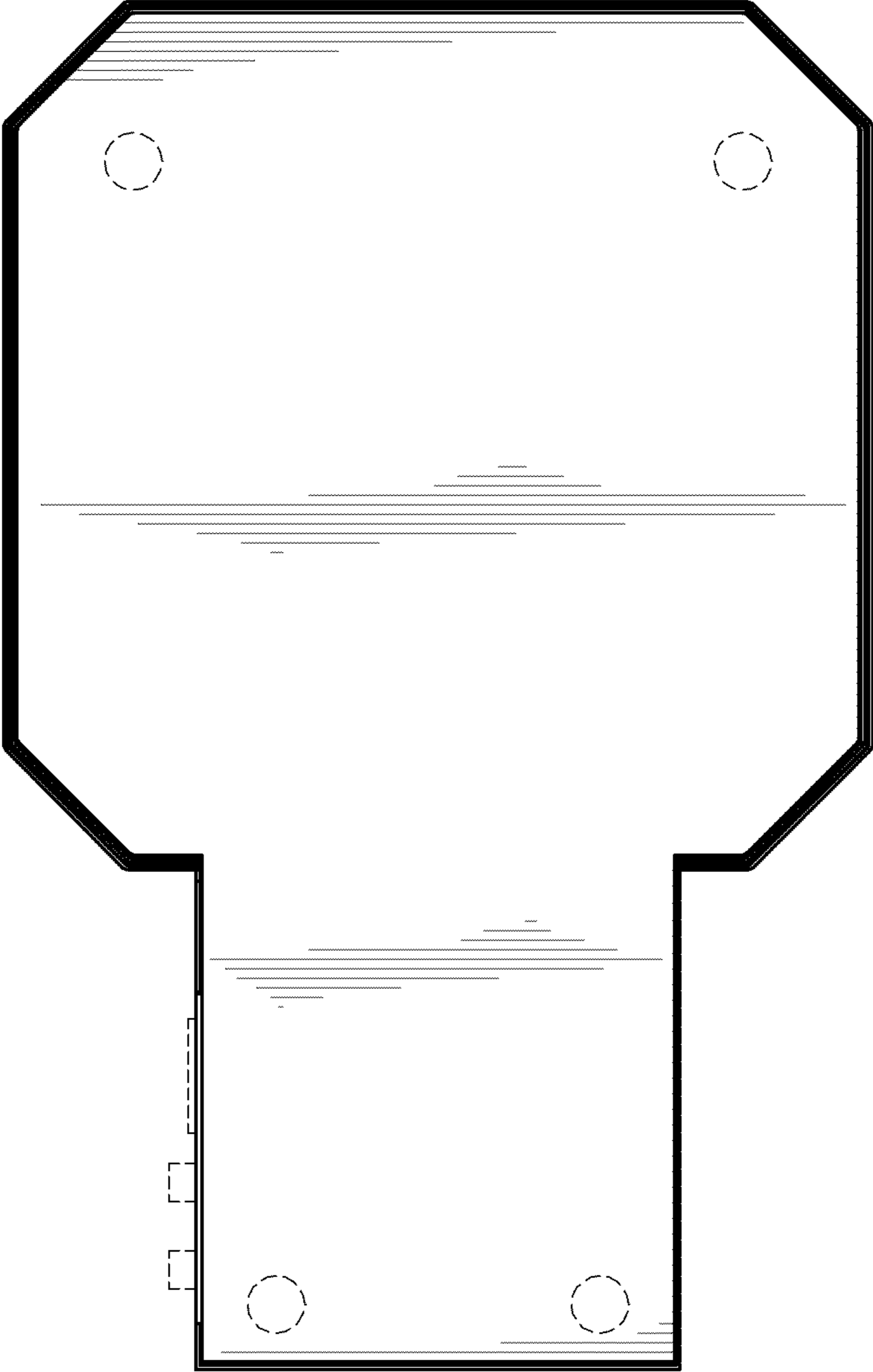


FIG. 7