



US00D719037S

(12) **United States Design Patent**
Tsai et al.

(10) **Patent No.:** **US D719,037 S**
(45) **Date of Patent:** **** Dec. 9, 2014**

- (54) **NOTE TAB PACKAGE SET**
- (71) Applicant: **Taiwan Hopax Chems. Mfg. Co., Ltd.**,
Kaohsiung (TW)
- (72) Inventors: **Chin-Chung Tsai**, Kaohsiung (TW);
Yi-Hsuen Huang, Kaohsiung (TW);
Jen-Rong Liu, Kaohsiung (TW)
- (73) Assignee: **Taiwan Hopax Chems. Mfg. Co, Ltd.**,
Kaohsiung (TW)

D449,780 S *	10/2001	Corella	D9/415
D499,018 S *	11/2004	Dato et al.	D9/722
D548,620 S *	8/2007	Ferguson et al.	D9/732
D574,435 S *	8/2008	Jour	D19/86
2003/0183643 A1 *	10/2003	Fagen et al.	221/26
2004/0045859 A1 *	3/2004	Favale	206/471

* cited by examiner

Primary Examiner — Derrick Holland

Assistant Examiner — Lauren Calve

(74) *Attorney, Agent, or Firm* — Bacon & Thomas, PLLC

(**) Term: **14 Years**

(21) Appl. No.: **29/462,982**

(22) Filed: **Aug. 12, 2013**

(30) **Foreign Application Priority Data**

Mar. 15, 2013 (TW) 102301894

(51) **LOC (10) Cl.** **09-03**

(52) **U.S. Cl.**
USPC **D9/722; D19/86**

(58) **Field of Classification Search**
USPC D9/414, 415, 416, 424, 715, 722, 732;
D19/35, 36, 52, 65, 75, 78, 86, 81, 90,
D19/91; D6/515, 518, 519; D20/40, 42, 43;
206/39.6, 216, 425, 461-471, 575,
206/576, 581, 738, 756, 769, 775, 776, 779
See application file for complete search history.

(56) **References Cited**

U.S. PATENT DOCUMENTS

D295,020 S *	4/1988	Franchi	D9/722
5,602,612 A *	2/1997	Angeli et al.	396/535

(57) **CLAIM**

The ornamental design for a note tab package set, as shown and described.

DESCRIPTION

FIG. 1 is a perspective view of a note tab package set showing our new design;

FIG. 2 is a front view thereof;

FIG. 3 is a rear view thereof;

FIG. 4 is a left side view thereof;

FIG. 5 is a right side view thereof;

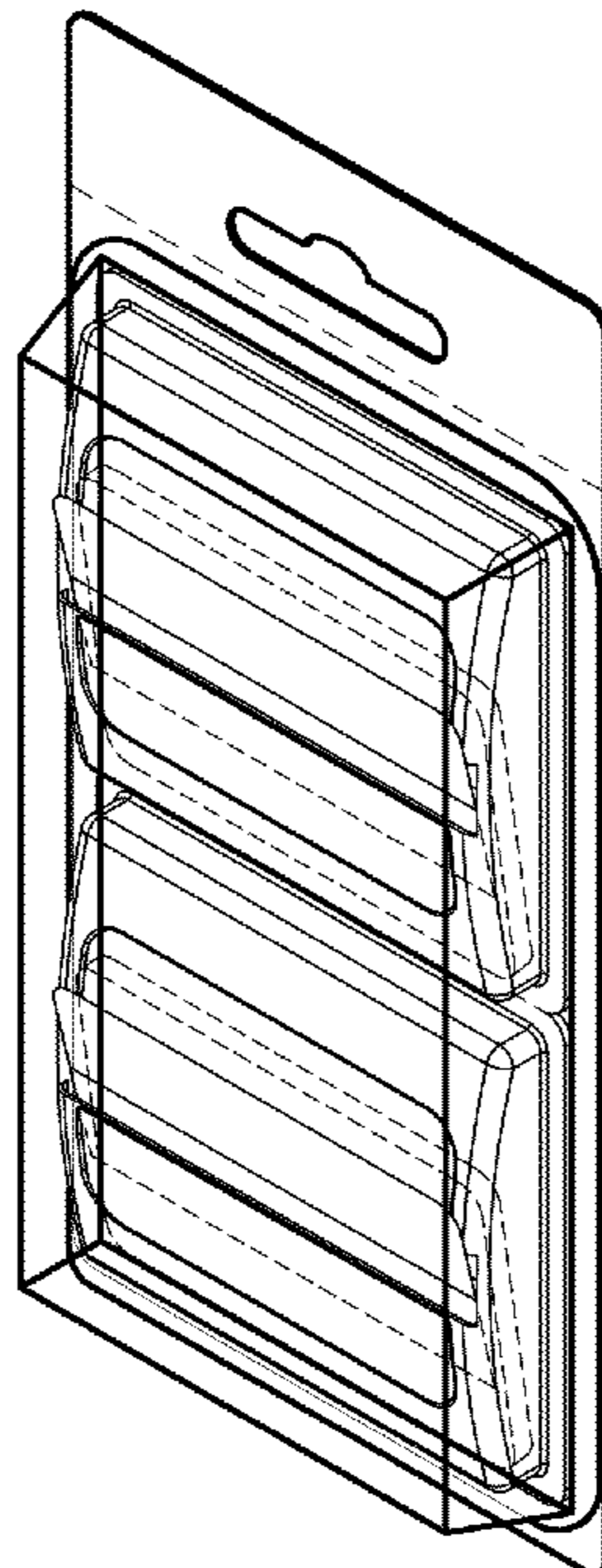
FIG. 6 is a top view thereof; and,

FIG. 7 is a bottom view thereof.

The broken lines shown represent unclaimed subject matter and form no part of the claimed design.

The broken lines shown on the backing card of the note tab package set in FIGS. 1-3 represent perforation and form part of the claimed design.

1 Claim, 6 Drawing Sheets



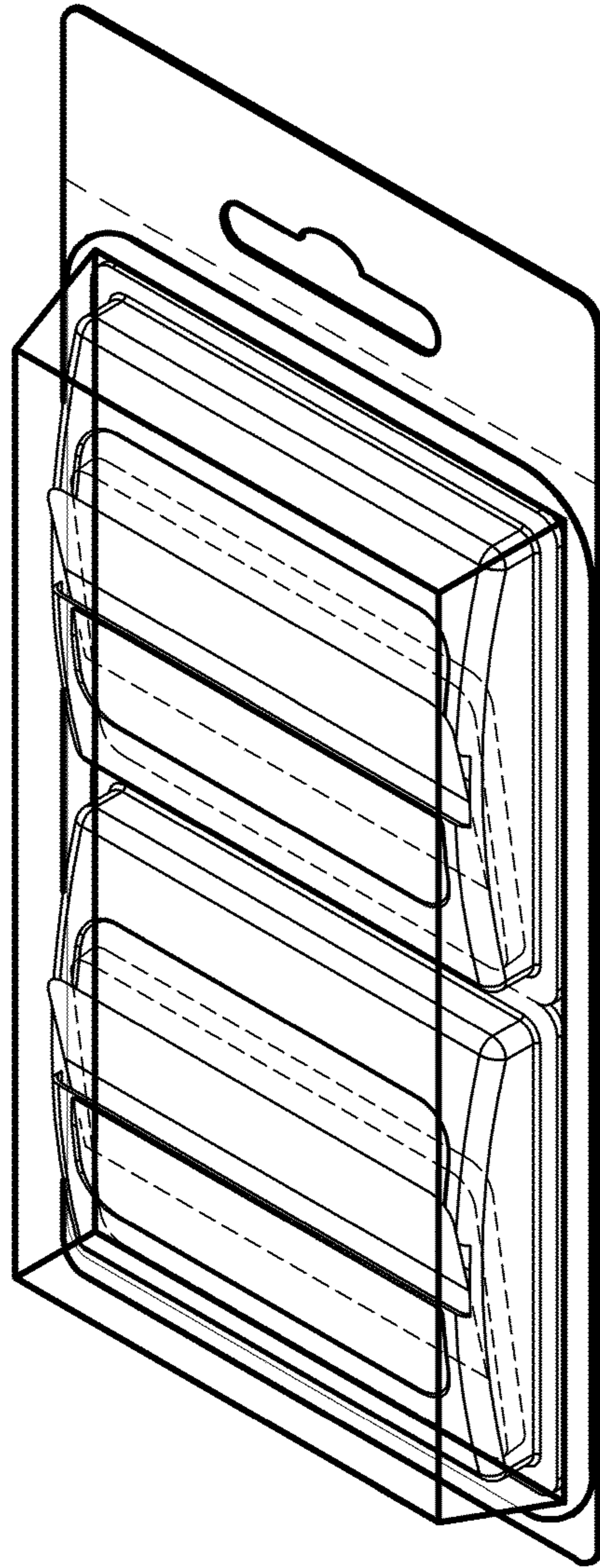


FIG. 1

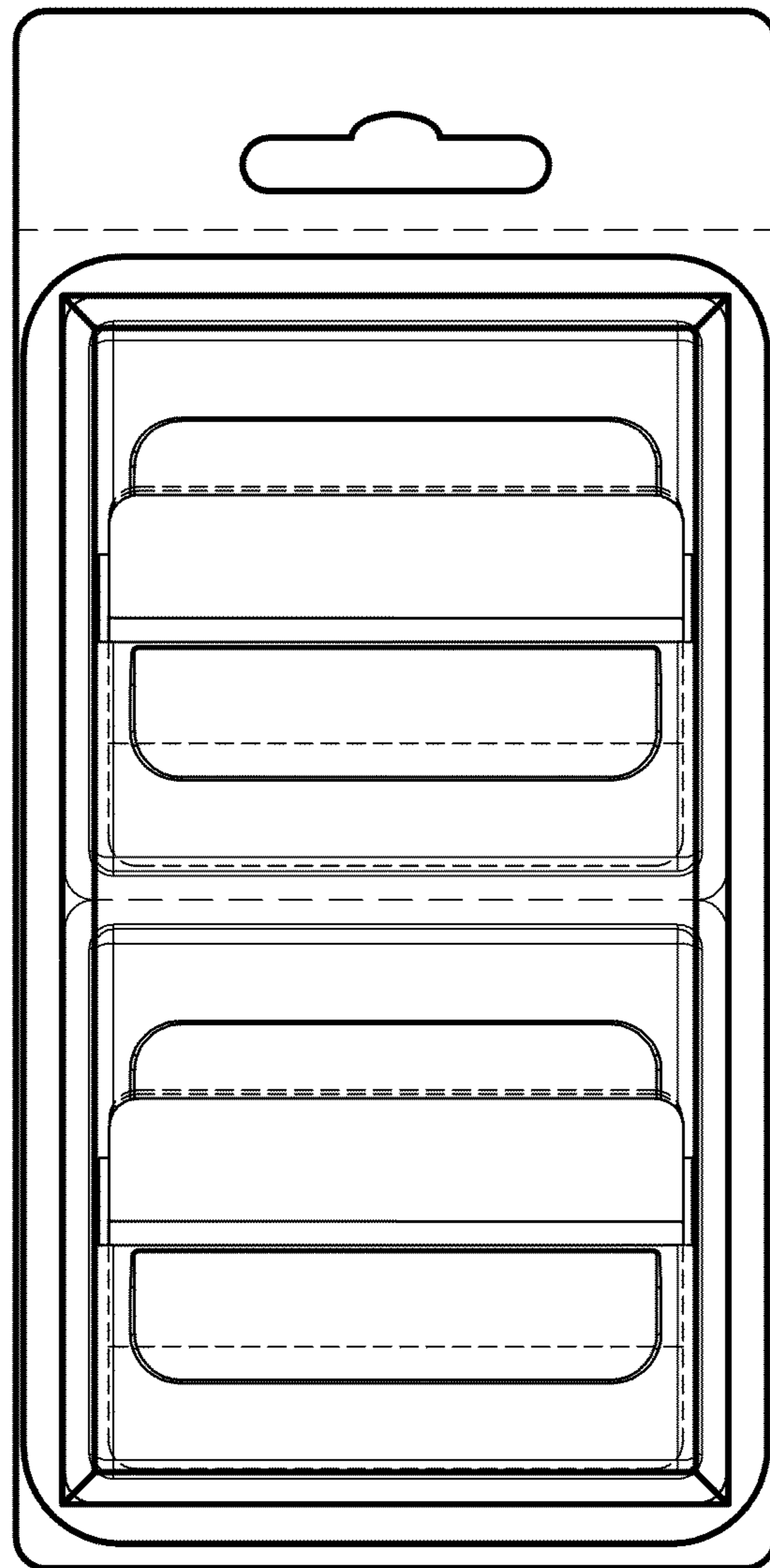


FIG. 2

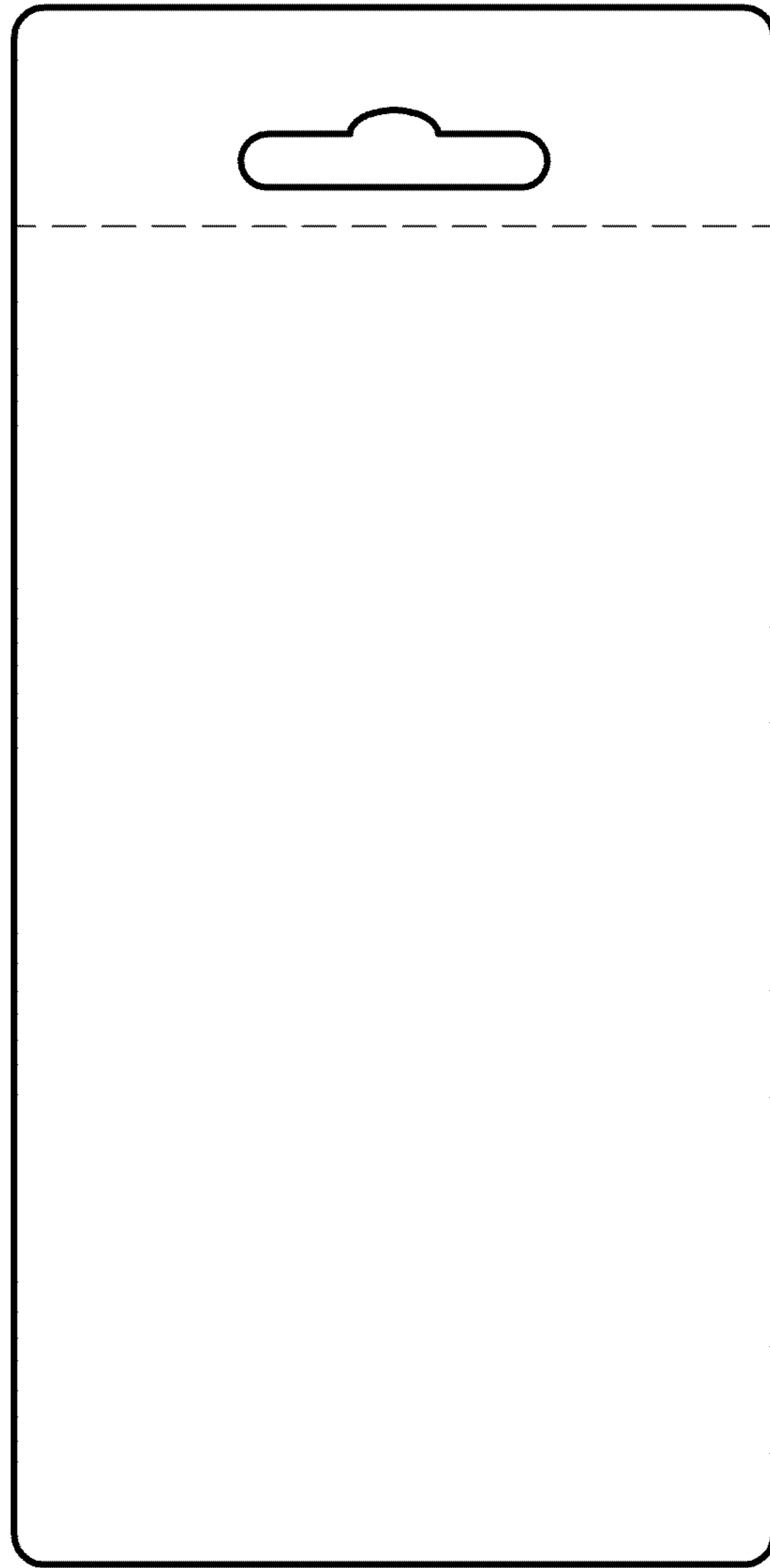


FIG. 3

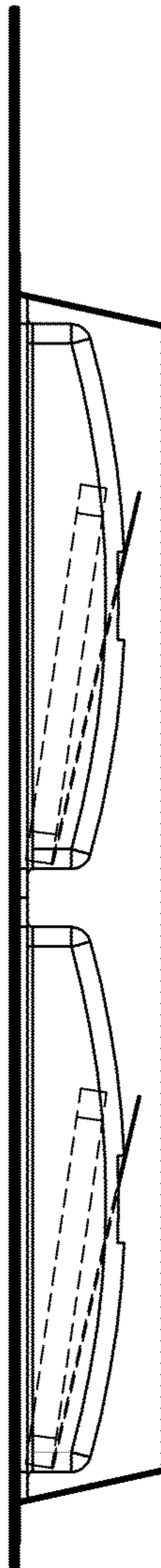


FIG. 4

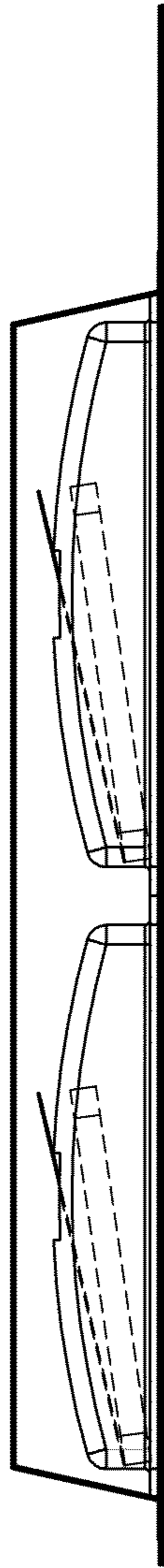


FIG. 5

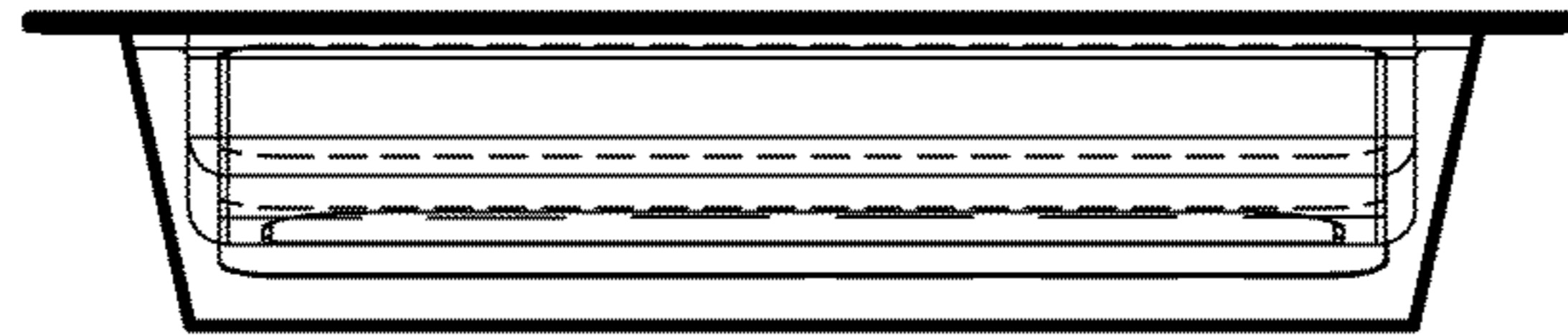


FIG. 6

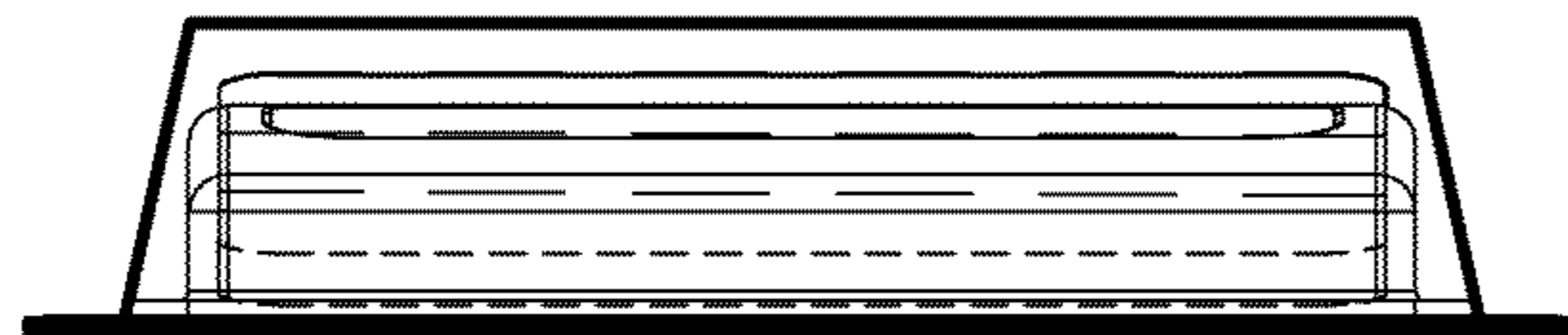


FIG. 7