

US00D719029S

(12) **United States Design Patent**
Tiet

(10) **Patent No.:** **US D719,029 S**

(45) **Date of Patent:** **** Dec. 9, 2014**

(54) **BOTTLE**

(71) Applicant: **Kien C. Tiet**, City of Industry, CA (US)

(72) Inventor: **Kien C. Tiet**, City of Industry, CA (US)

(**) Term: **14 Years**

(21) Appl. No.: **29/469,510**

(22) Filed: **Oct. 10, 2013**

(51) **LOC (10) Cl.** **09-01**

(52) **U.S. Cl.**

USPC **D9/531**

(58) **Field of Classification Search**

CPC B65D 1/23; B65D 1/0223; B65D 1/165;
B65D 1/40; B65D 1/44; B65D 7/04; B65D
25/00; B65D 25/28; B65D 41/0457; B65D
41/17; B65D 53/06; B65D 75/56; B65D
79/005; B65D 2501/0036; B65D 2543/00064;
B65D 2543/00074; B65D 2543/00083; B65D
2543/00092; B65D 2543/00101; B65D
2543/00111

USPC D9/516, 530, 531, 537, 538, 540, 543,
D9/550, 552, 554, 556, 557, 563, 565, 567,
D9/569, 570, 575; 215/381-385; 220/660,
220/669, 679, 752

See application file for complete search history.

(56) **References Cited**

U.S. PATENT DOCUMENTS

D270,136	S	*	8/1983	Cox	D9/500
D326,051	S	*	5/1992	Frahm	D9/558
D326,608	S	*	6/1992	Frahm	D9/500
D326,609	S	*	6/1992	Stenger	D9/502
D355,367	S	*	2/1995	Rokus	D9/531
D404,649	S	*	1/1999	Meisner et al.	D9/531
D419,885	S	*	2/2000	Gonzalez C.	D9/531
D433,636	S	*	11/2000	Gonzalez C.	D9/531
D531,512	S	*	11/2006	Yu	D9/531
D605,946	S	*	12/2009	Manderfield, Jr.	D9/531
D624,822	S	*	10/2010	Lovelace et al.	D9/540
D651,854	S	*	1/2012	Cabados	D7/511

* cited by examiner

Primary Examiner — Keli L Hill

(74) *Attorney, Agent, or Firm* — Michael N. Cohen; Cohen IP Law Group P.C.

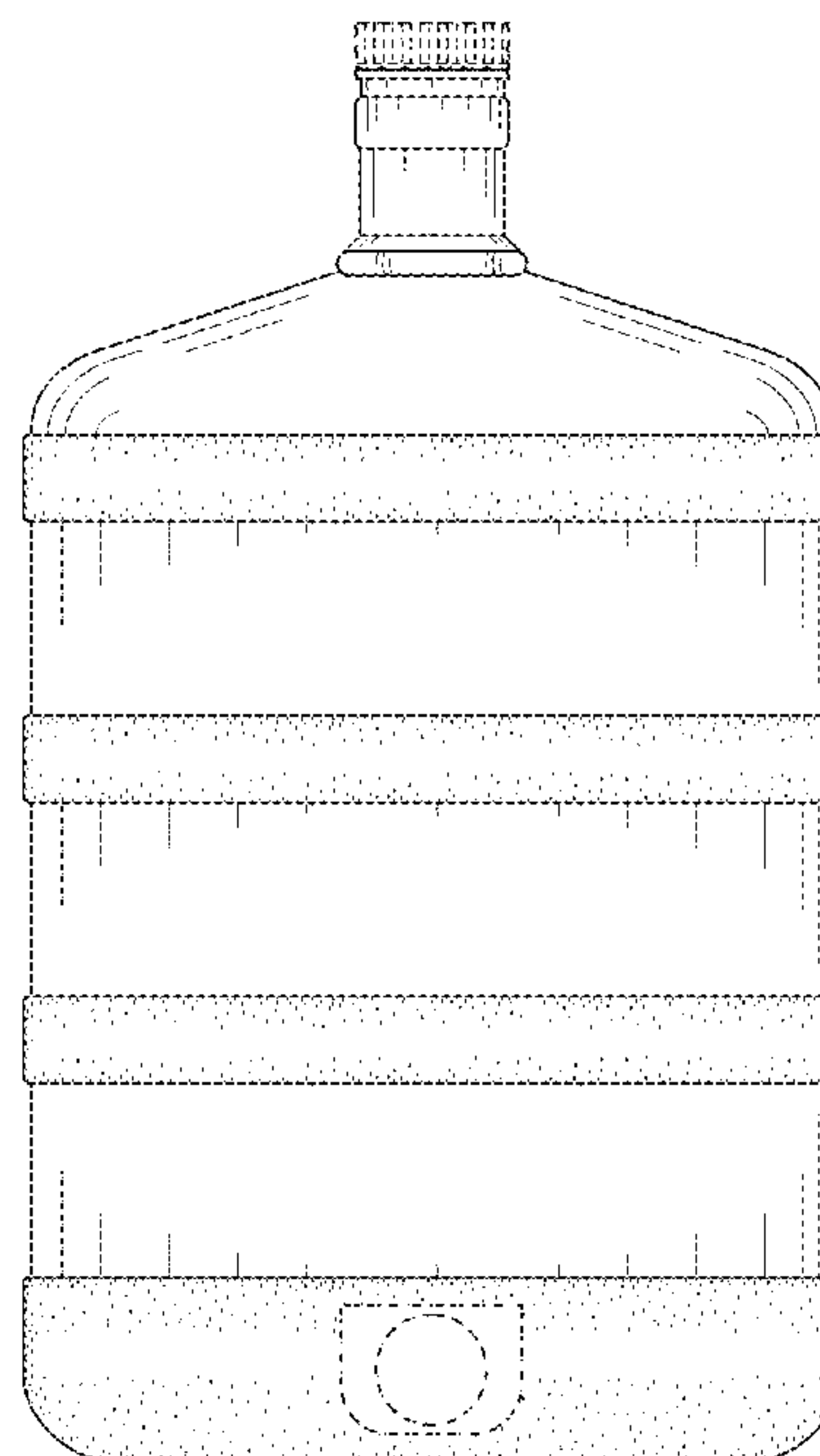
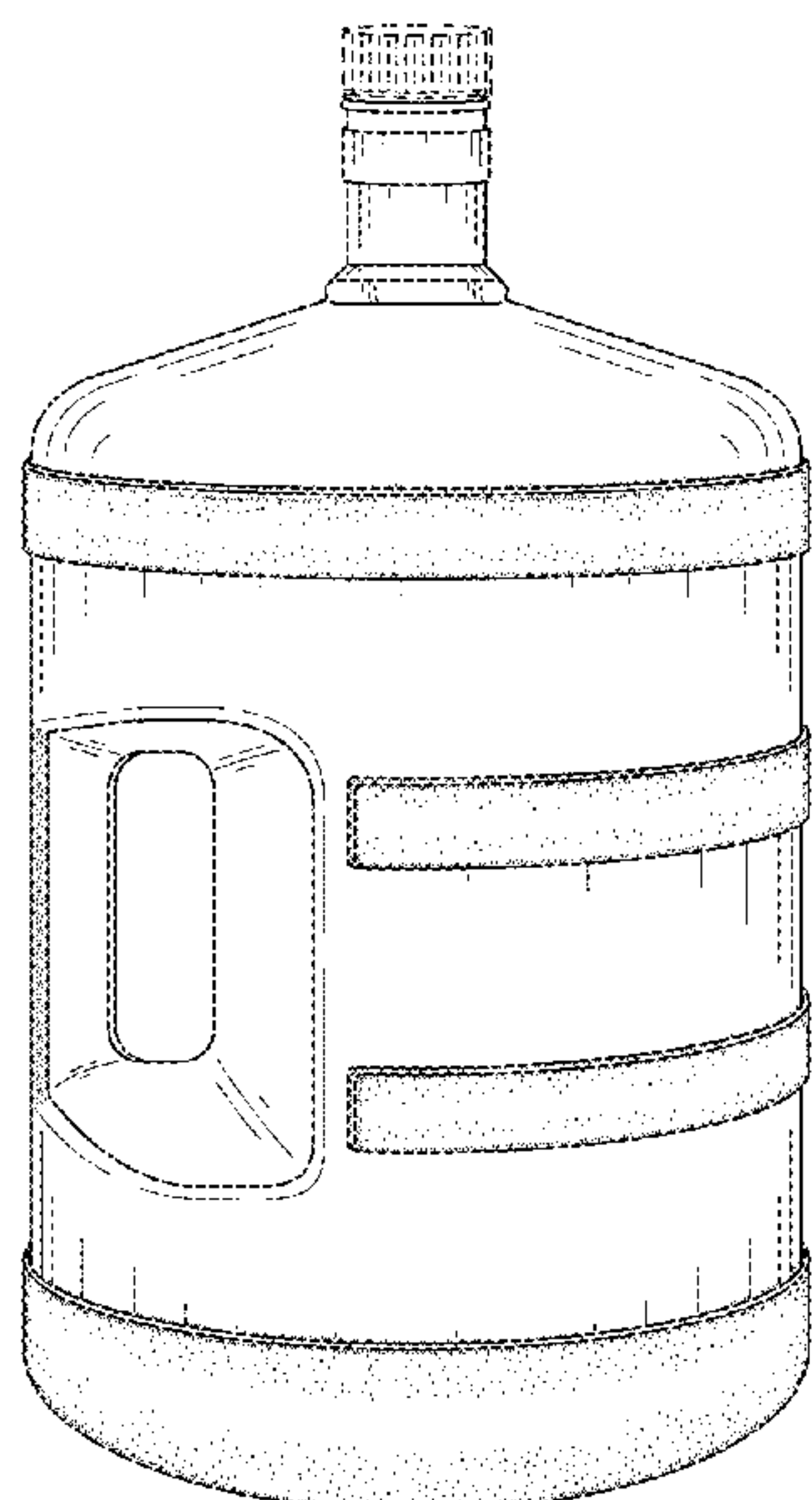
(57) **CLAIM**

I claim the ornamental design for the bottle, as shown and described.

DESCRIPTION

FIG. 1 is a perspective view of the bottle;
FIG. 2 is a back view of FIG. 1;
FIG. 3 is a front view of FIG. 1;
FIG. 4 is a left side view of FIG. 1;
FIG. 5 is a right side view of FIG. 1;
FIG. 6 is a top view of FIG. 1; and,
FIG. 7 is a bottom view of FIG. 1.
The broken lines shown are included for the purpose of illustrating portions of the bottle that form no part of the claim.

1 Claim, 7 Drawing Sheets



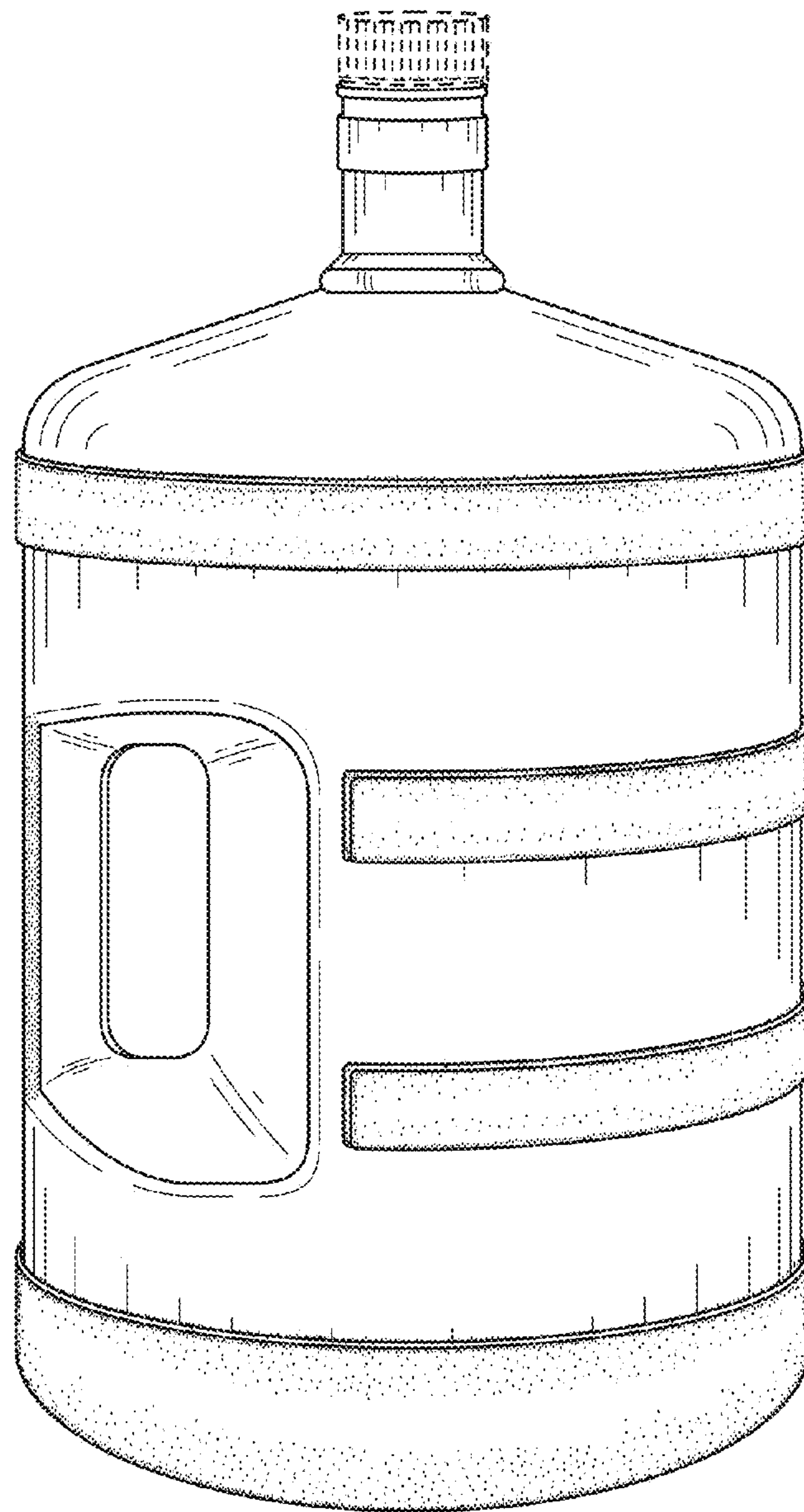


FIG. 1

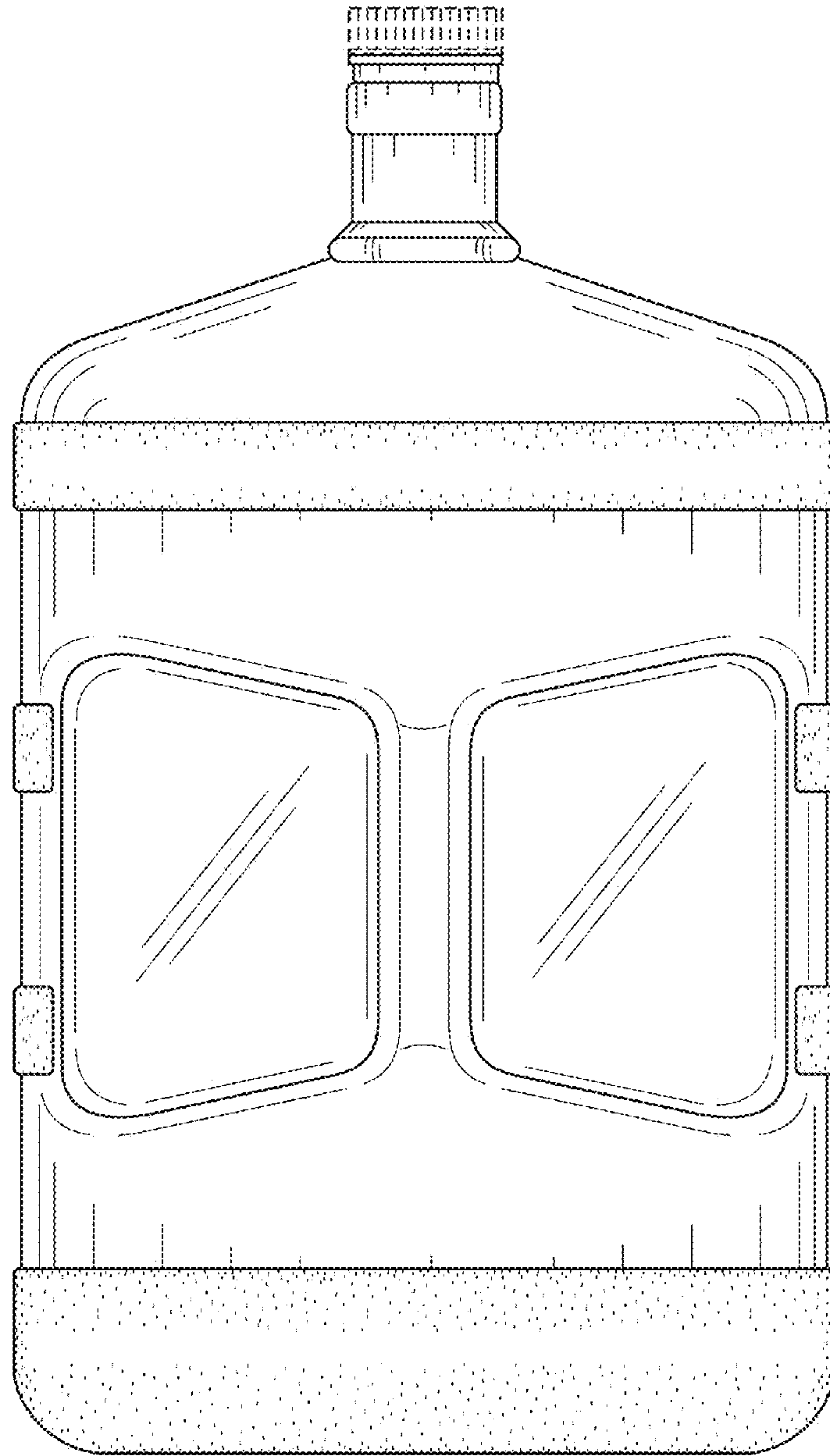


FIG. 2

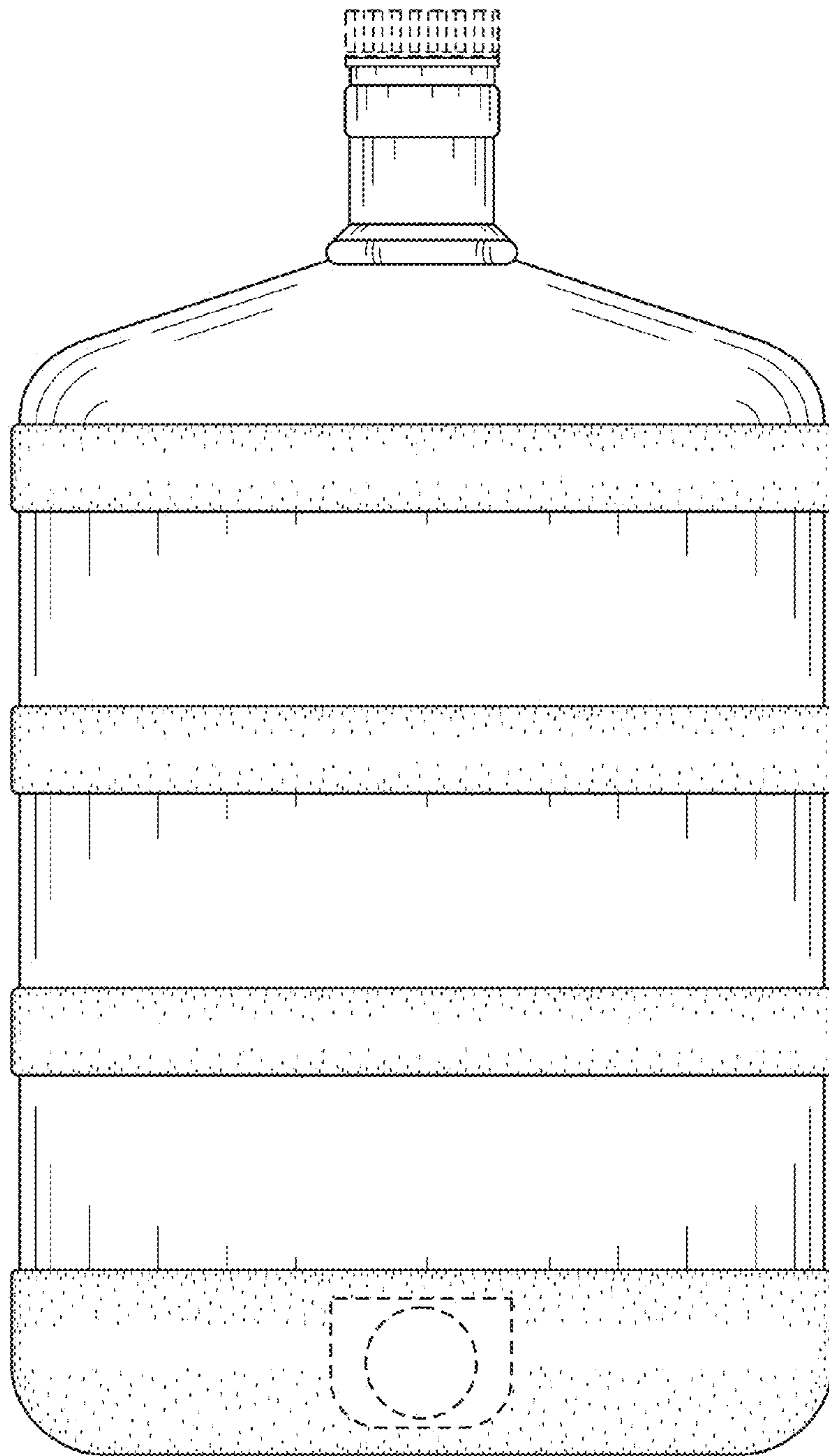


FIG. 3

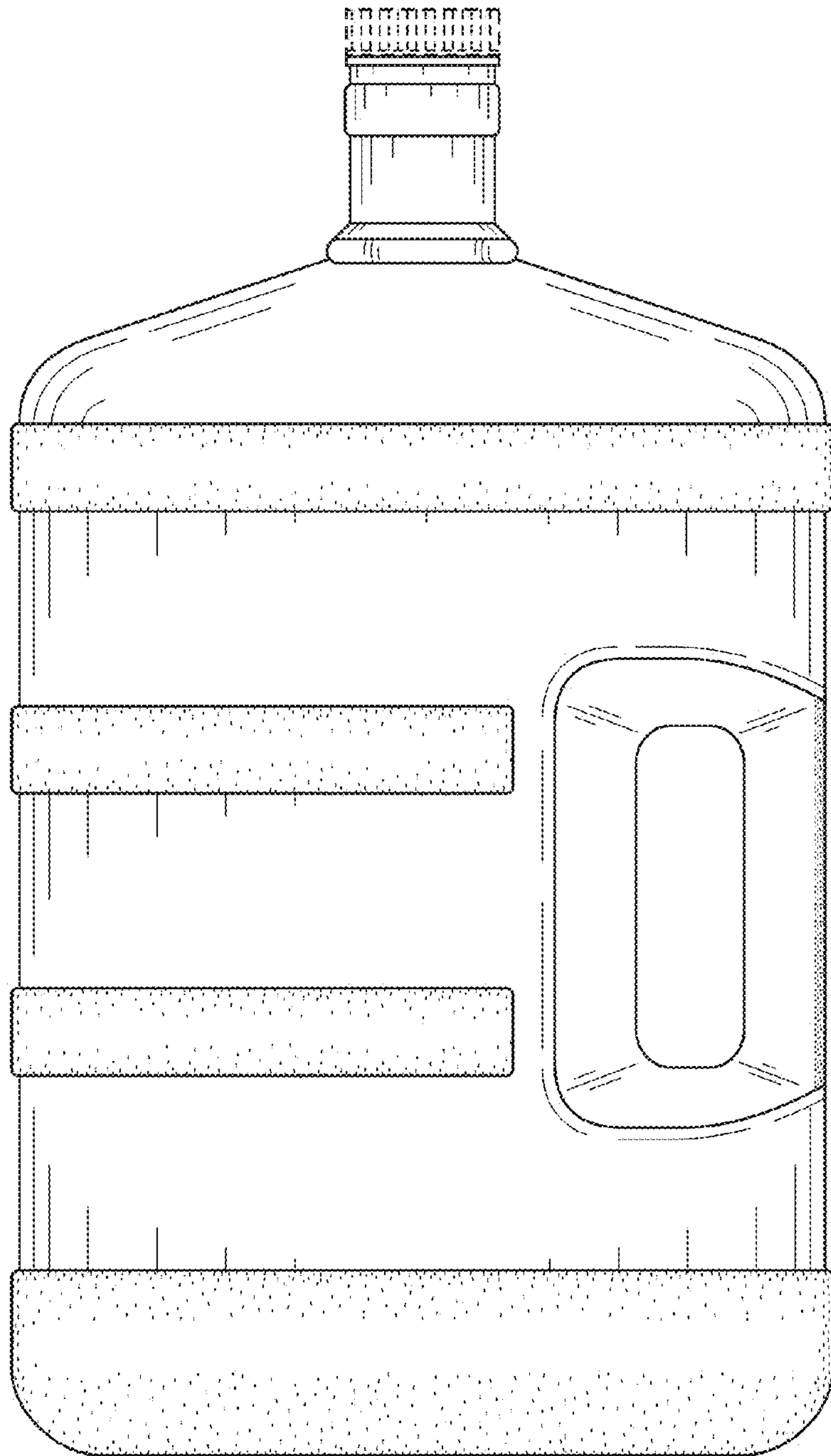


FIG. 4

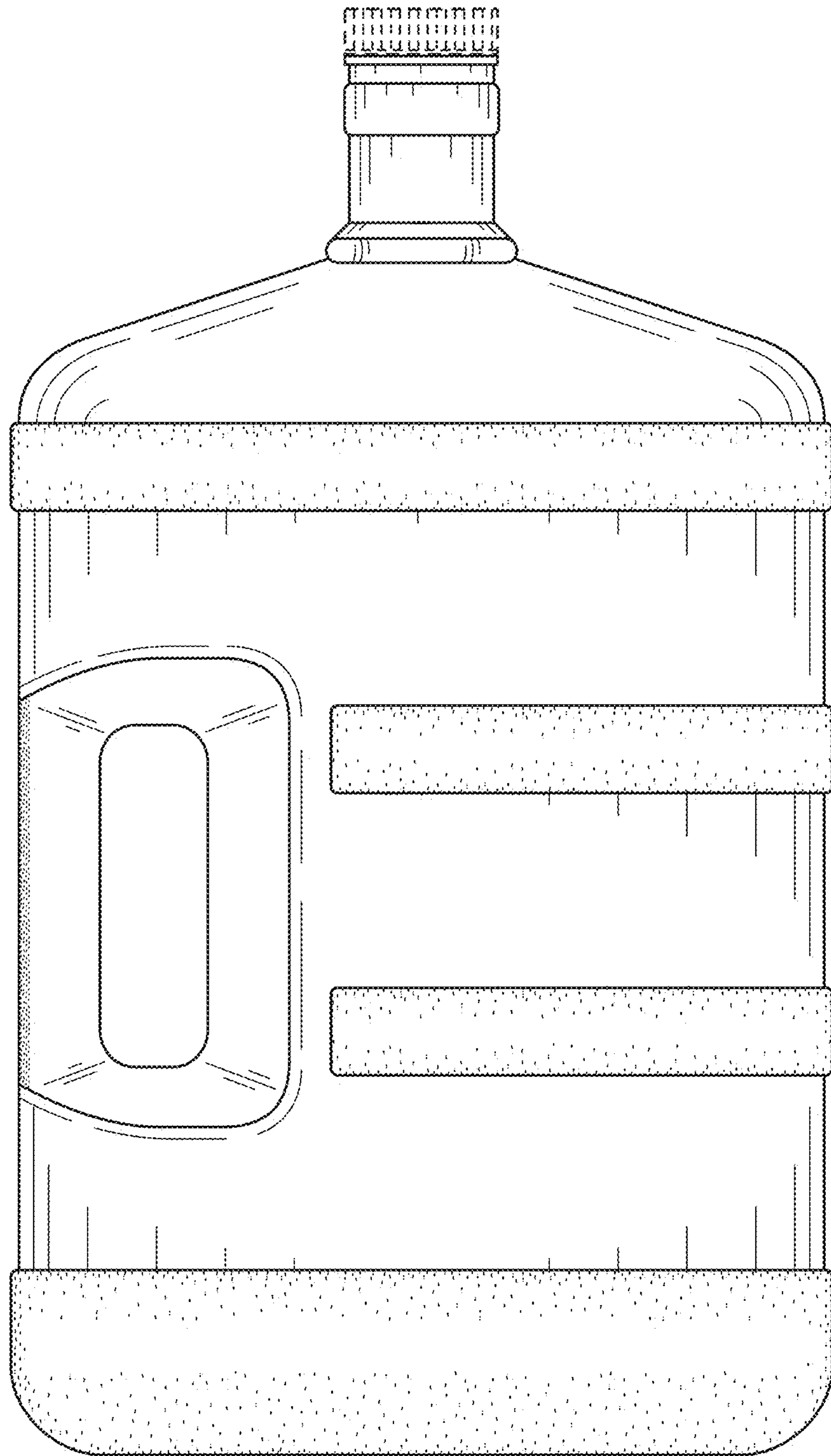


FIG. 5

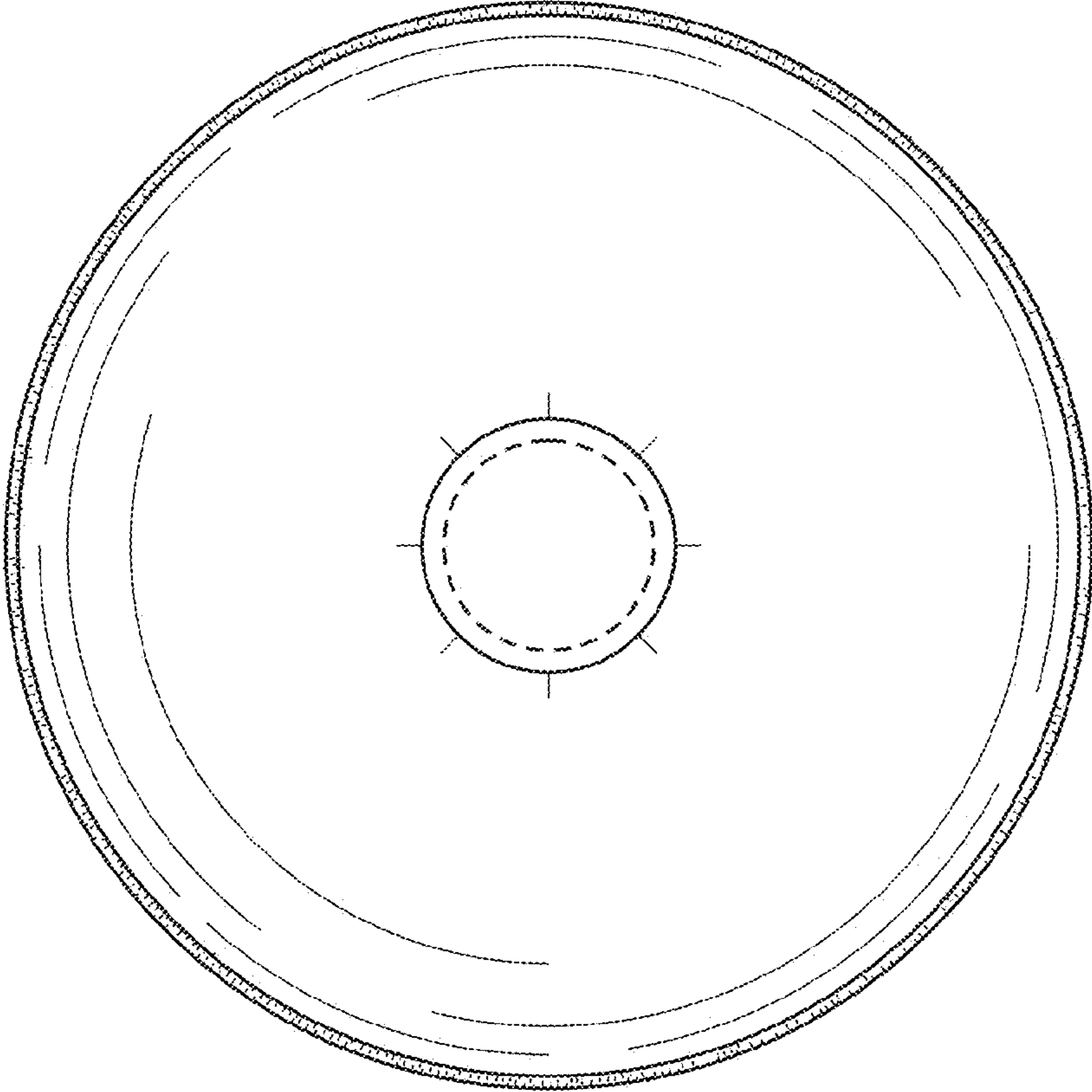


FIG. 6

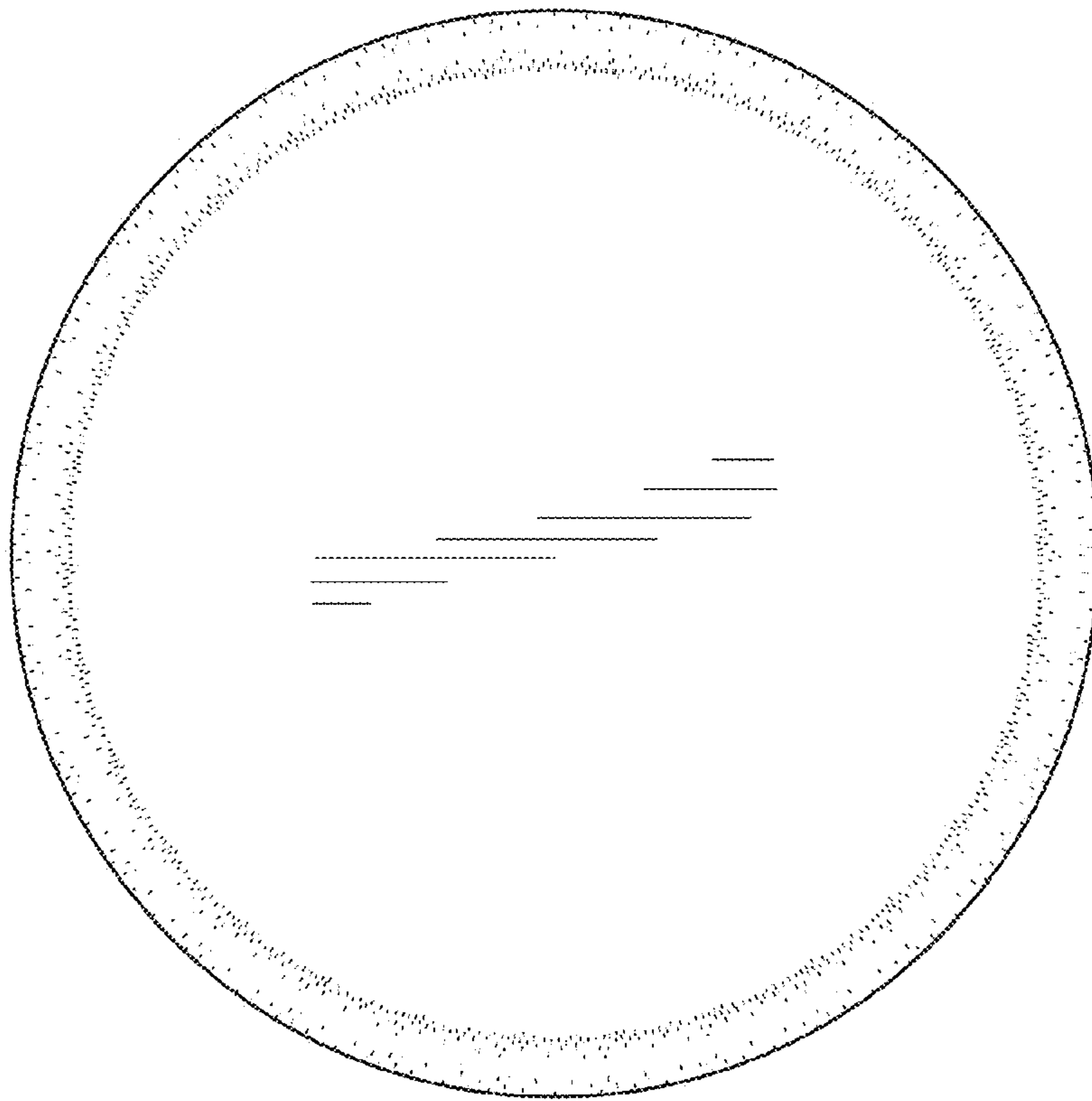


FIG. 7