



US00D719027S

(12) **United States Design Patent**
Rathbone et al.

(10) **Patent No.:** **US D719,027 S**

(45) **Date of Patent:** **** Dec. 9, 2014**

(54) **CONTAINER**

(75) Inventors: **Jonathan Edward Rathbone**, Chicago, IL (US); **Christopher Steven Hart**, Chicago, IL (US)

(73) Assignee: **The J.M. Smucker Company**, Orrville, OH (US)

(**) Term: **14 Years**

(21) Appl. No.: **29/413,109**

(22) Filed: **Feb. 10, 2012**

(51) **LOC (10) Cl.** **09-01**

(52) **U.S. Cl.**

USPC **D9/529**; D9/573

(58) **Field of Classification Search**

CPC B65D 1/00; B65D 1/22; B65D 23/00;
B65D 23/102; B65D 25/00; B65D 25/2882;
B65D 25/2885; B65D 25/2891; B65D 2501/00
USPC D9/424–425, 430, 432, 434–435, 516,
D9/529–530, 535, 542–543, 559–560,
D9/572–575, 734; D7/538, 543, 601–602,
D7/612, 615, 629–630; D3/201, 273, 302,
D3/307; 215/379, 381–384; 220/660, 669,
220/675

See application file for complete search history.

(56) **References Cited**

U.S. PATENT DOCUMENTS

D276,401 S	*	11/1984	Daenen et al.	D7/602
D276,402 S	*	11/1984	Daenen et al.	D7/602
D279,252 S	*	6/1985	Daenen et al.	D7/602
D392,845 S	*	3/1998	Lown et al.	D7/615
D484,797 S	*	1/2004	Kipperman et al.	D9/424
D555,487 S	*	11/2007	Perry et al.	D9/543

(Continued)

Primary Examiner — Ian Simmons

Assistant Examiner — Dana L Meyrow

(74) *Attorney, Agent, or Firm* — Calfee, Halter & Griswold LLP

(57) **CLAIM**

We claim the ornamental design for a container, as shown and described.

DESCRIPTION

FIG. 1 is a front/right/top perspective view of a first embodiment of the container;

FIG. 2 is a rear/right/bottom perspective view thereof;

FIG. 3 is a front elevational view thereof, for which a rear elevational view would be a mirror image thereof;

FIG. 4 is a right side elevational view thereof, for which a left side elevational view would be a mirror image thereof;

FIG. 5 is a top plan view thereof; and,

FIG. 6 is a bottom plan view thereof.

FIG. 7 is a front/right/top perspective view of a second embodiment of the container;

FIG. 8 is a rear/right/bottom perspective view thereof;

FIG. 9 is a front elevational view thereof, for which a rear elevational view would be a mirror image thereof;

FIG. 10 is a right side elevational view thereof, for which a left side elevational view would be a mirror image thereof;

FIG. 11 is a top plan view thereof; and

FIG. 12 is a bottom plan view thereof.

FIG. 13 is a front/right/top perspective view of a third embodiment of the container;

FIG. 14 is a rear/right/bottom perspective view thereof;

FIG. 15 is a front elevational view thereof, for which a rear elevational view would be a mirror image thereof;

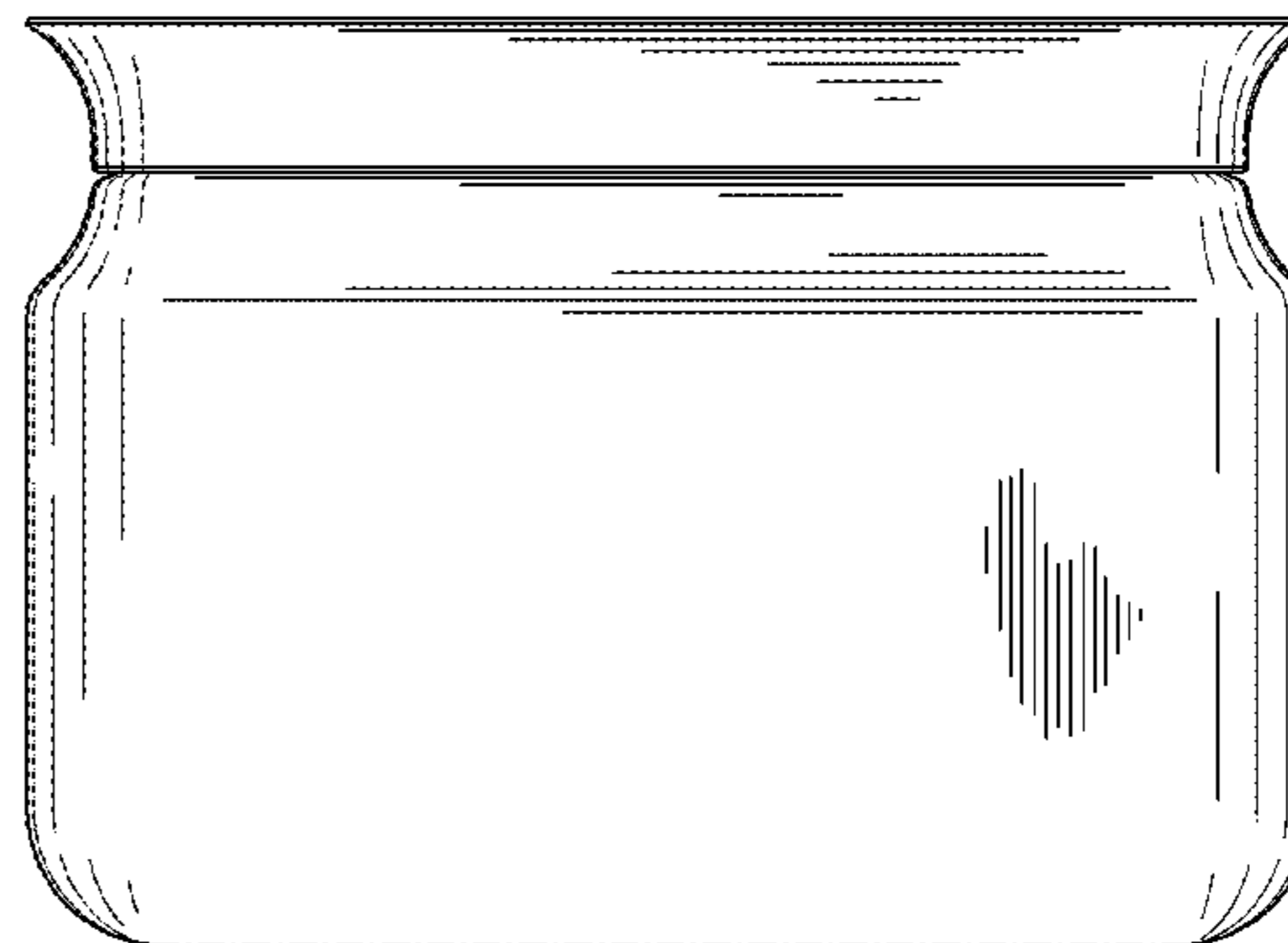
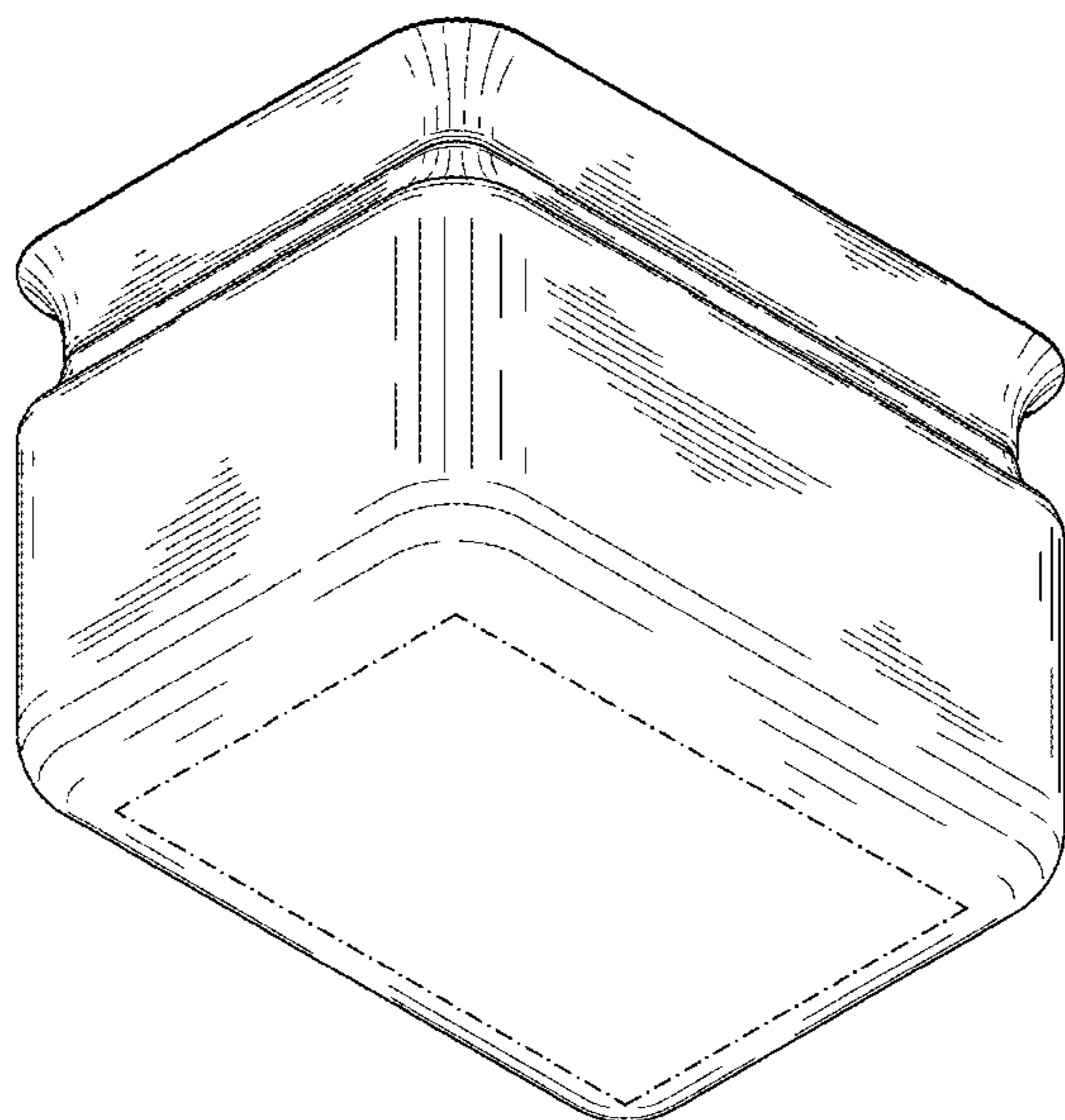
FIG. 16 is a right side elevational view thereof, for which a left side elevational view would be a mirror image thereof;

FIG. 17 is a top plan view thereof; and,

FIG. 18 is a bottom plan view thereof.

The dash-dot lines show the bounds of the invention and form no part of the claimed design.

1 Claim, 18 Drawing Sheets



US D719,027 S

Page 2

(56)

References Cited

U.S. PATENT DOCUMENTS

D574,710 S * 8/2008 Gangrade D9/504
D578,401 S * 10/2008 Perry et al. D9/543

D600,131 S * 9/2009 Perry et al. D9/543
D654,799 S * 2/2012 Liu D9/560
D684,824 S * 6/2013 Sweet et al. D7/615
D699,129 S * 2/2014 Possell et al. D9/734

* cited by examiner

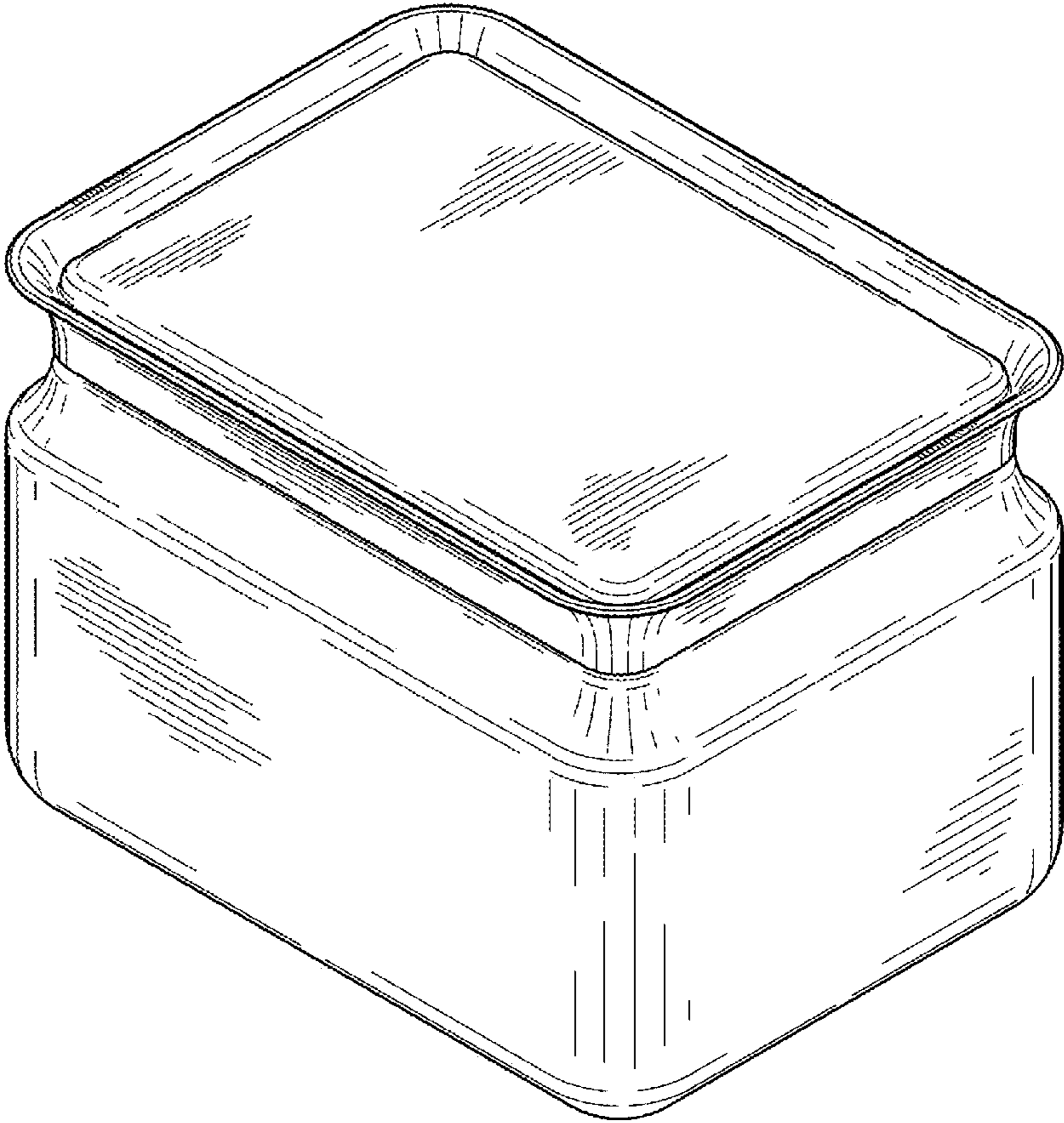


FIG. 1

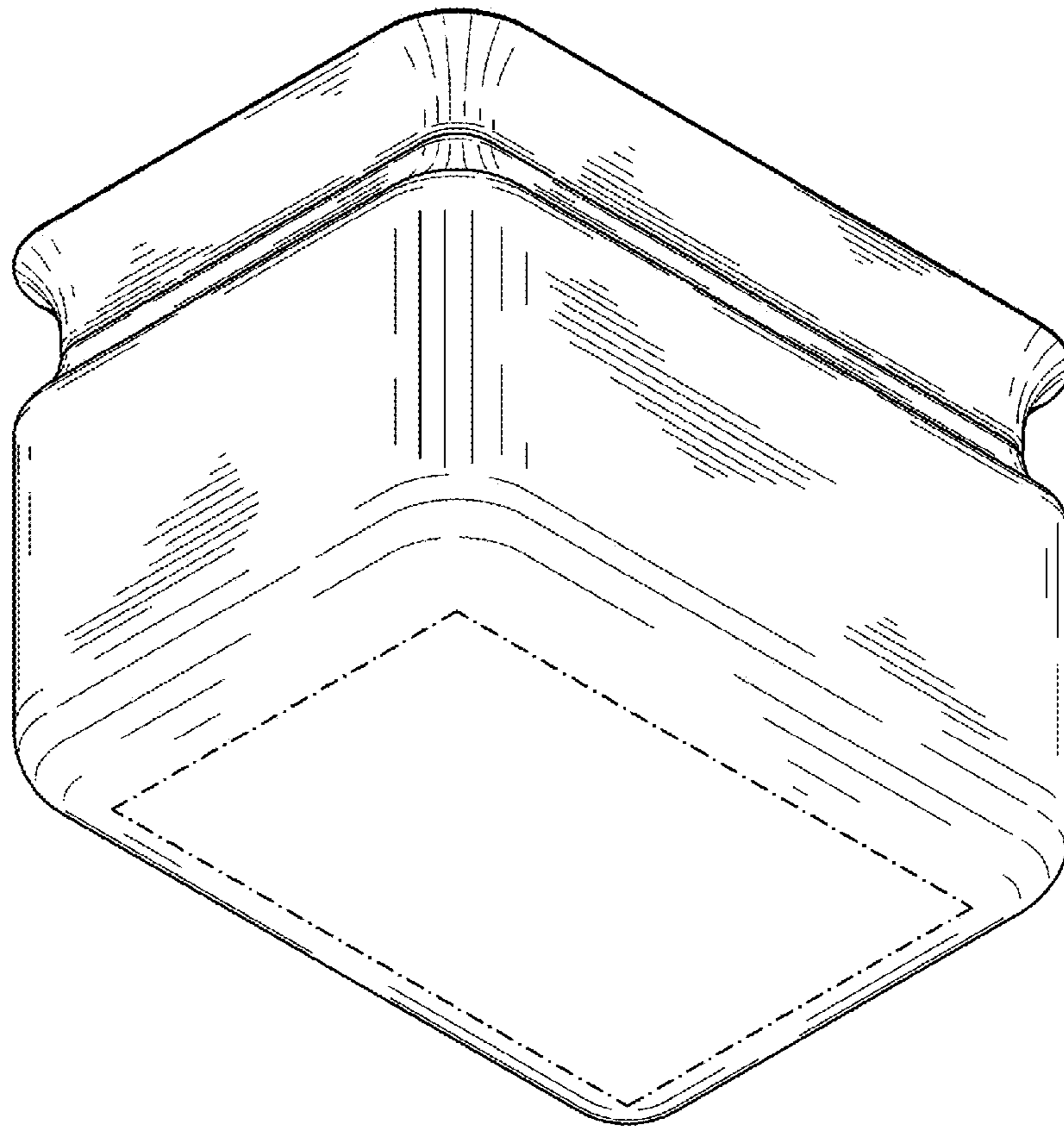


FIG. 2

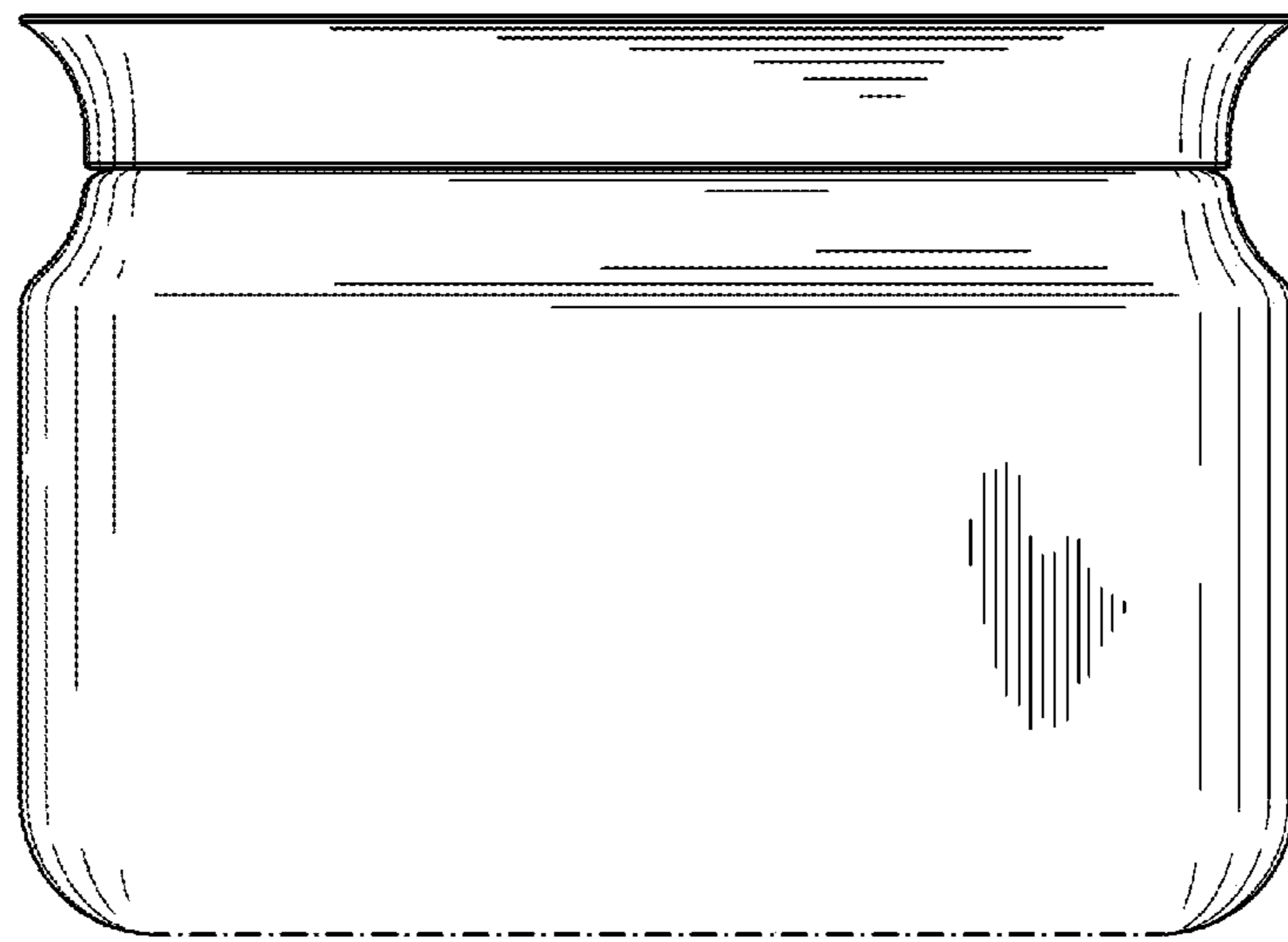


FIG. 3

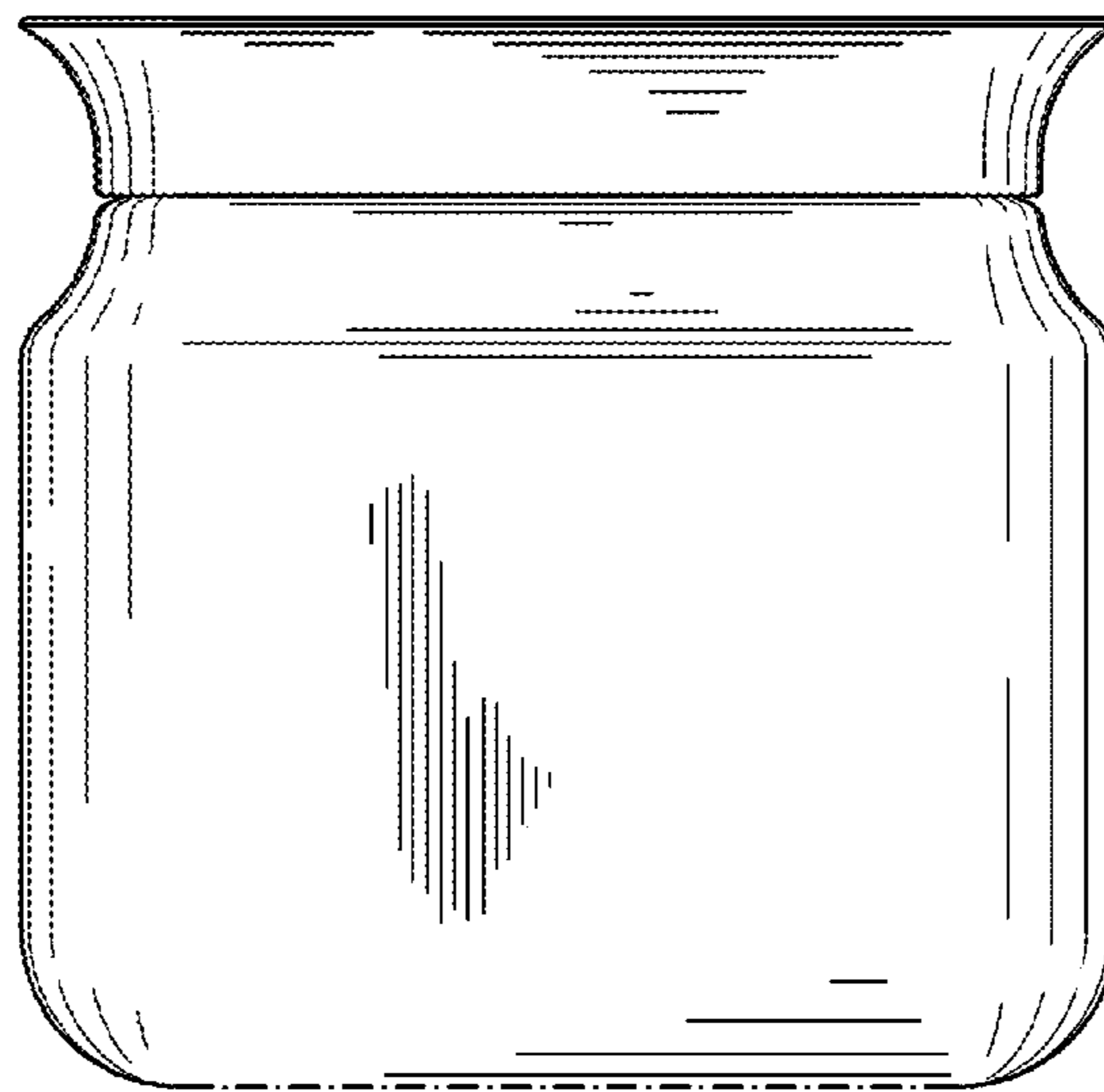


FIG. 4



FIG. 5

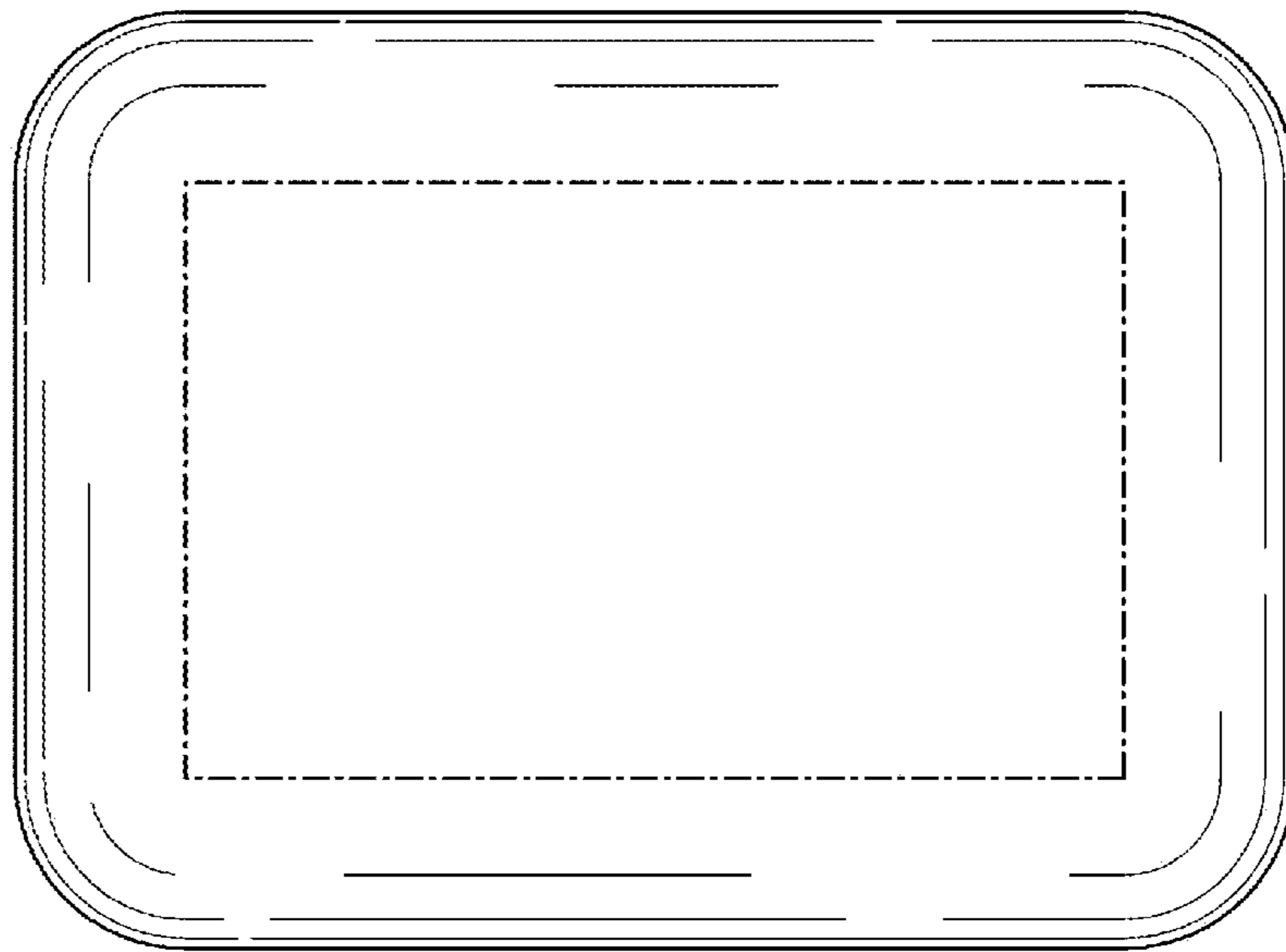


FIG. 6

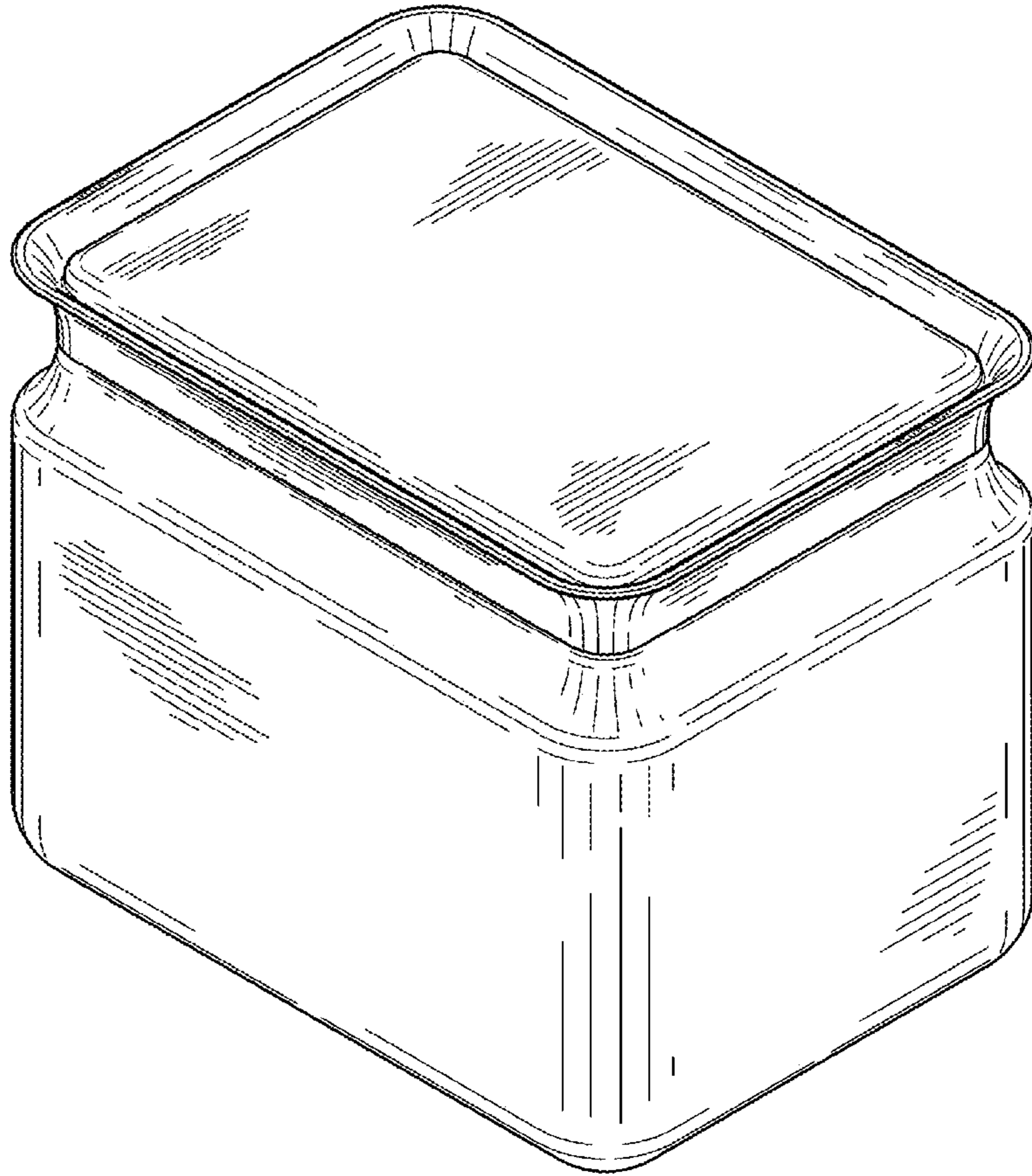


FIG. 7

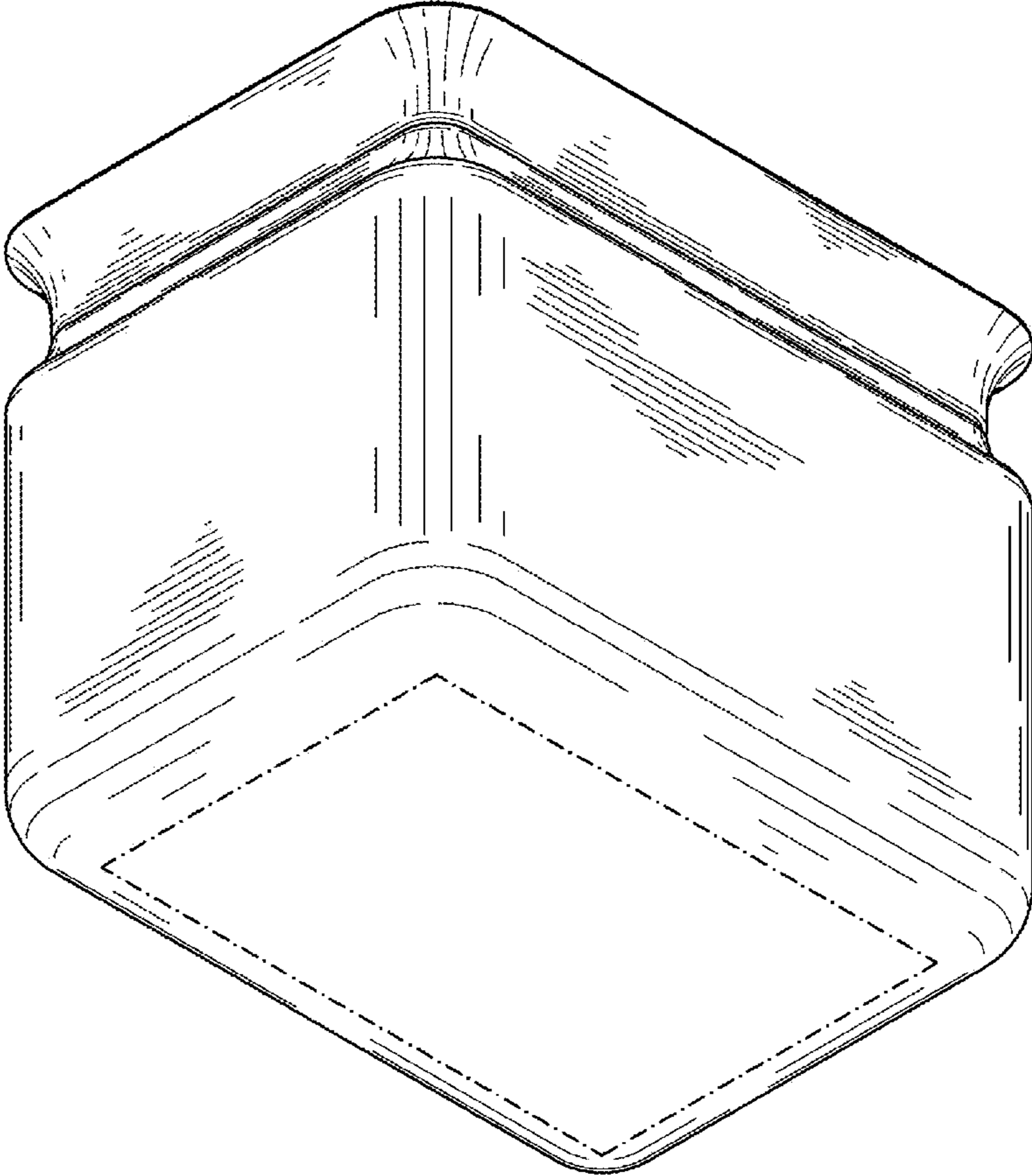


FIG. 8

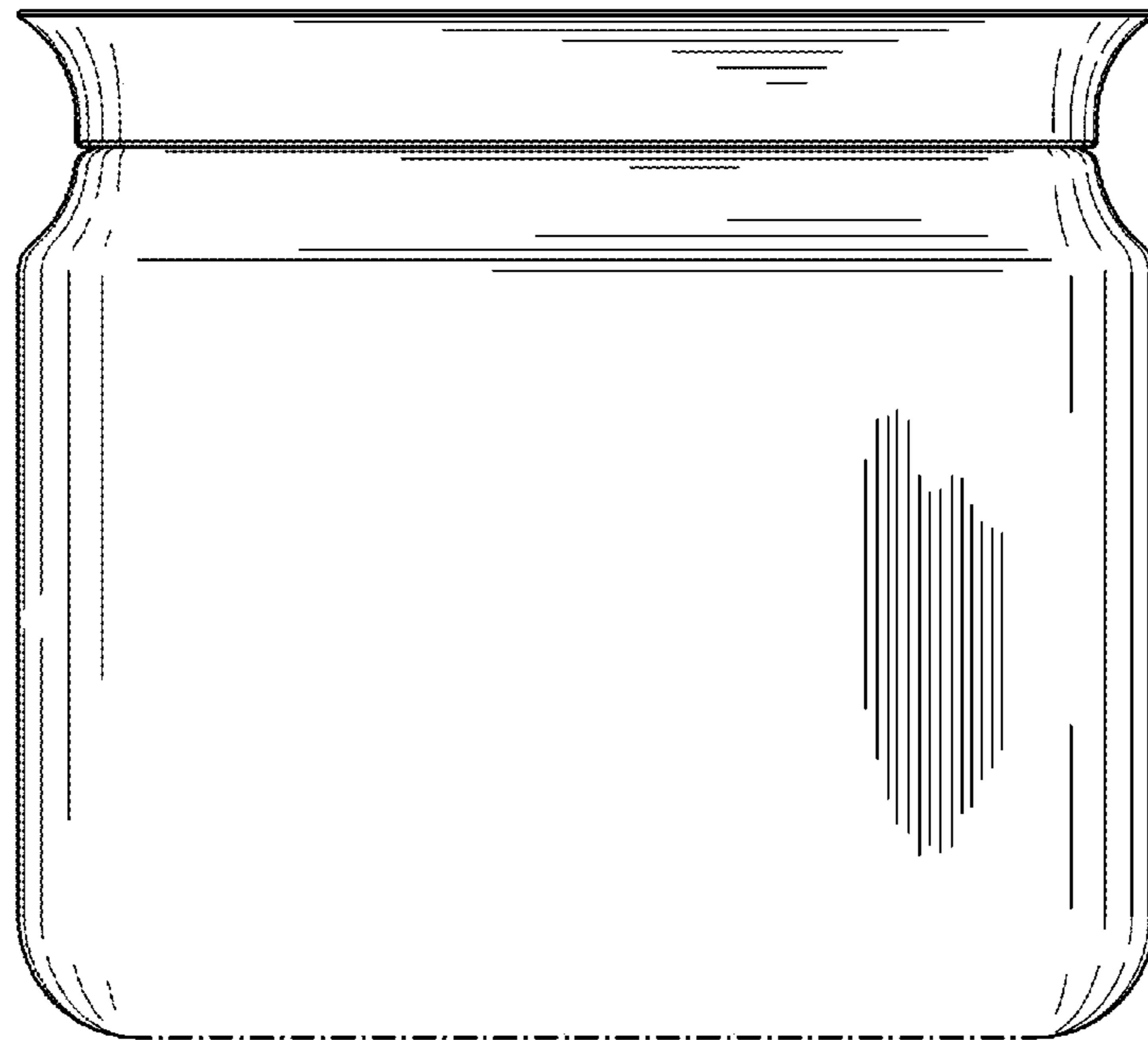


FIG. 9

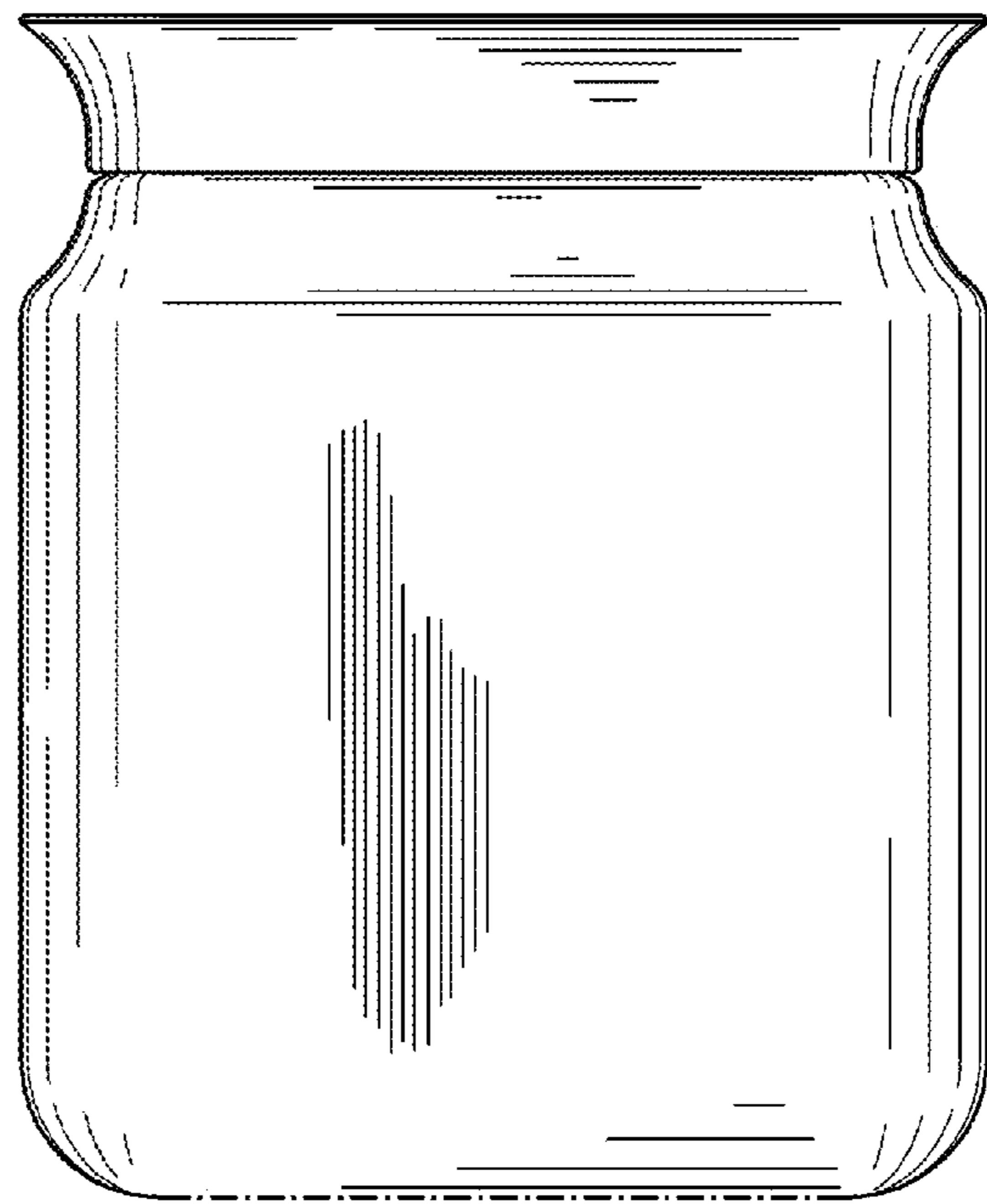


FIG. 10

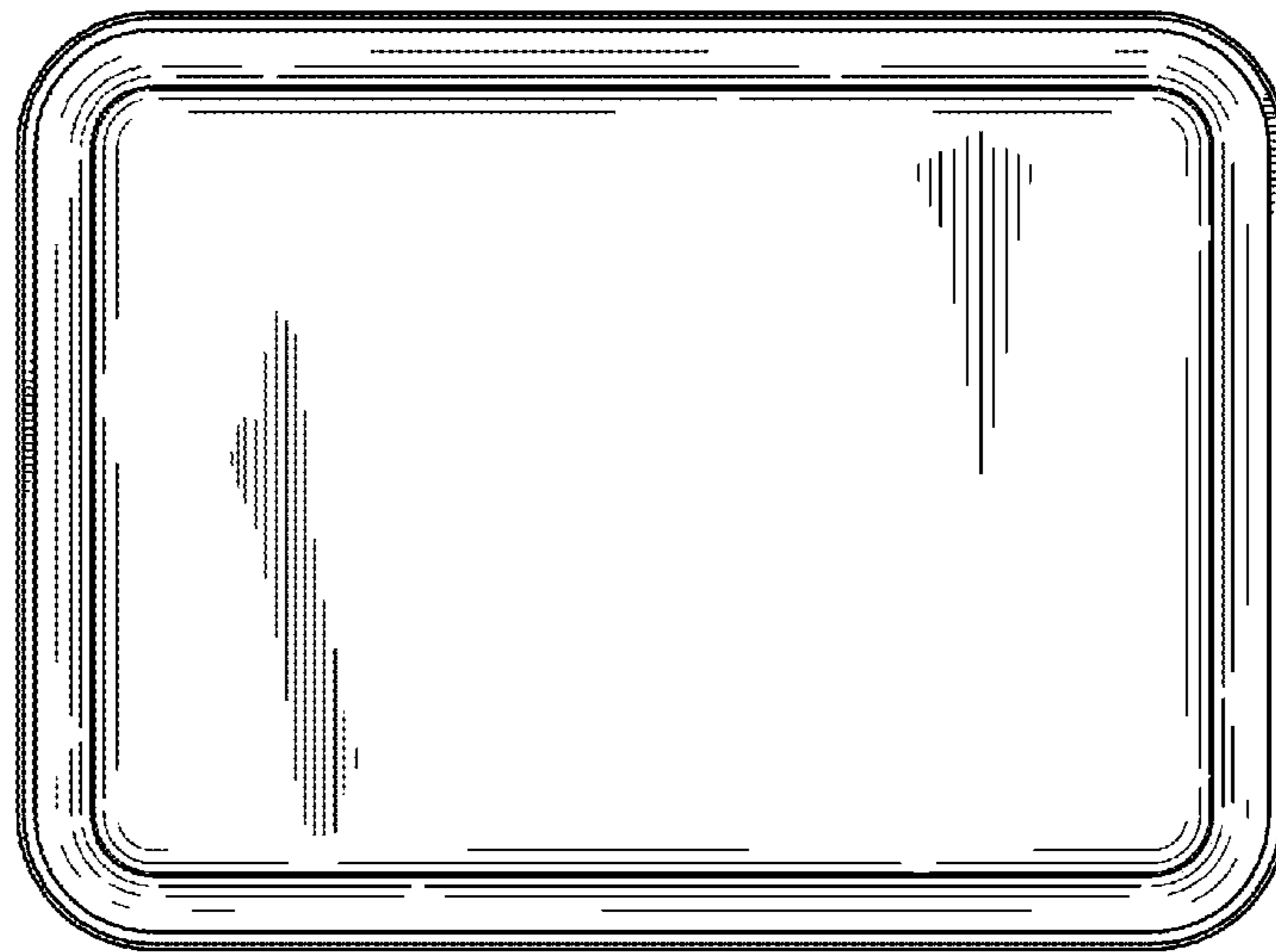


FIG. 11

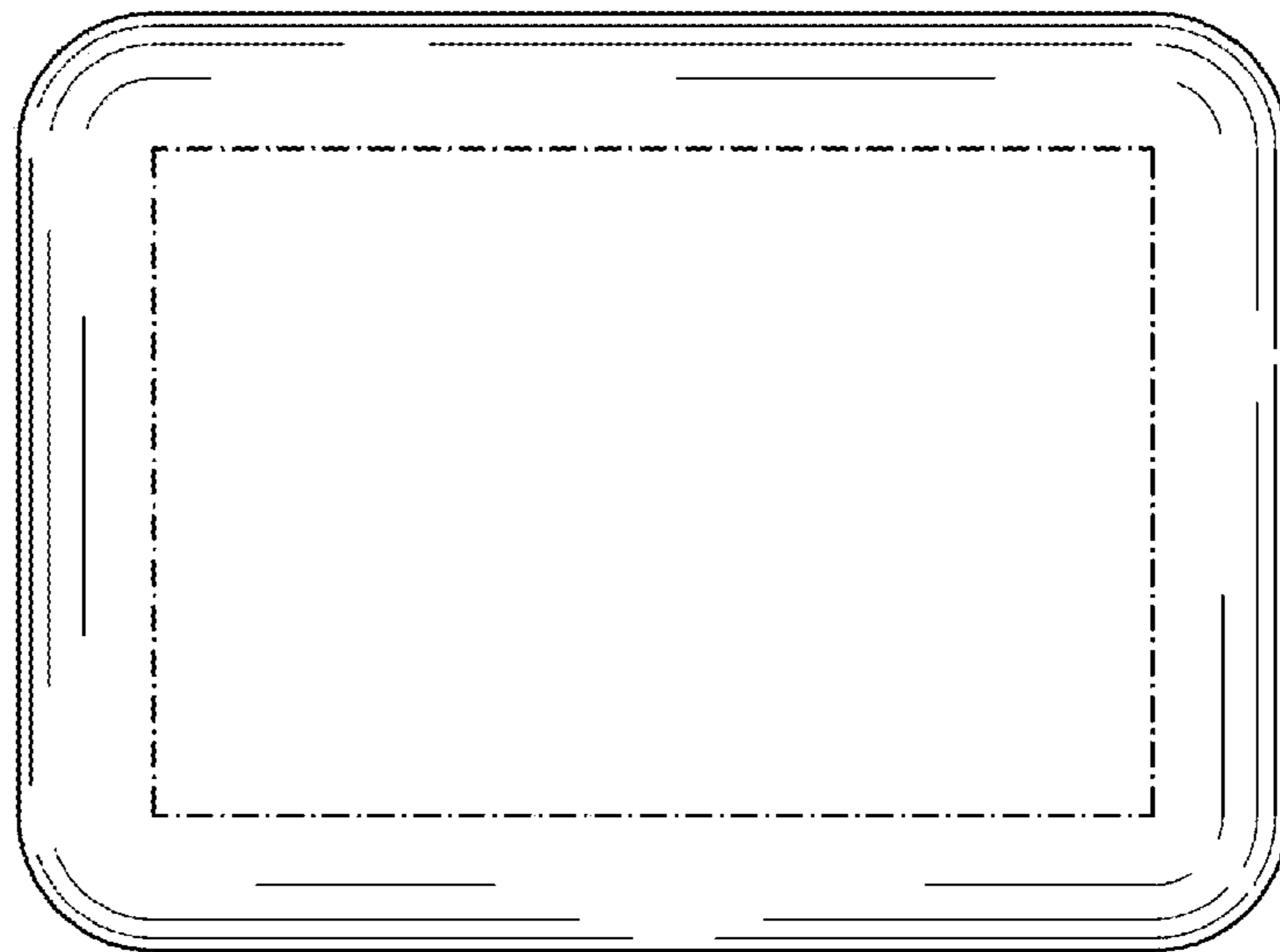


FIG. 12

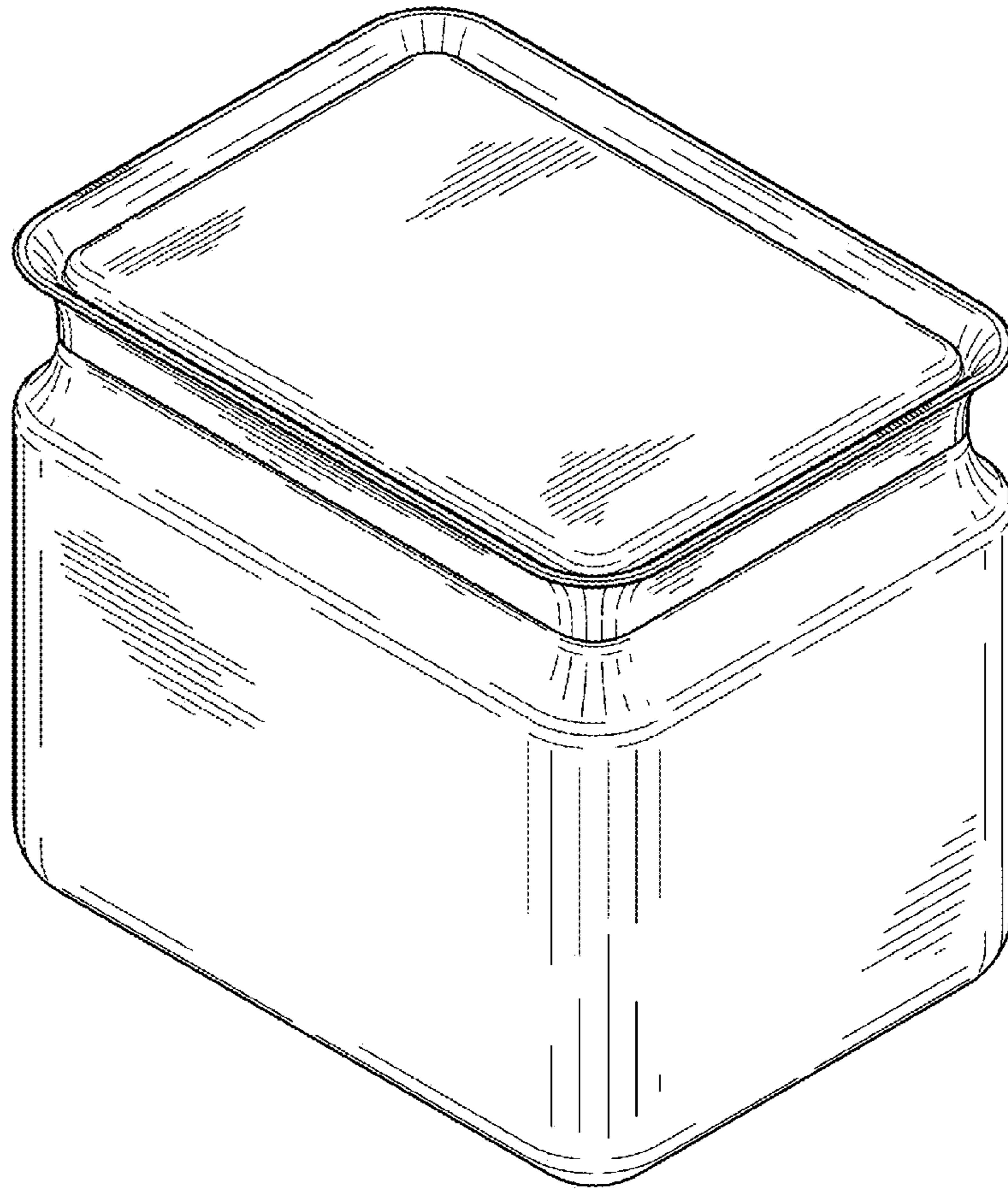


FIG. 13

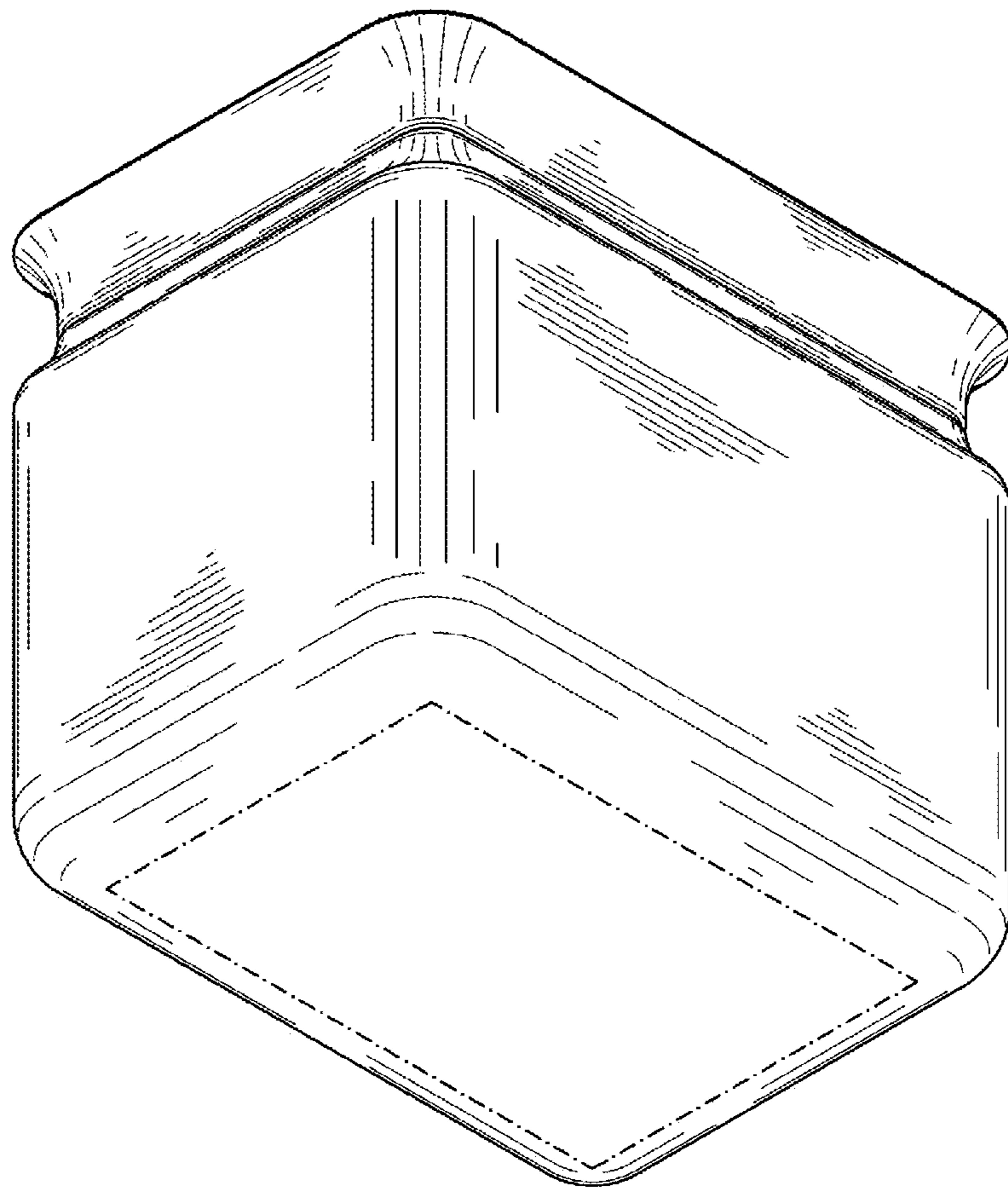


FIG. 14

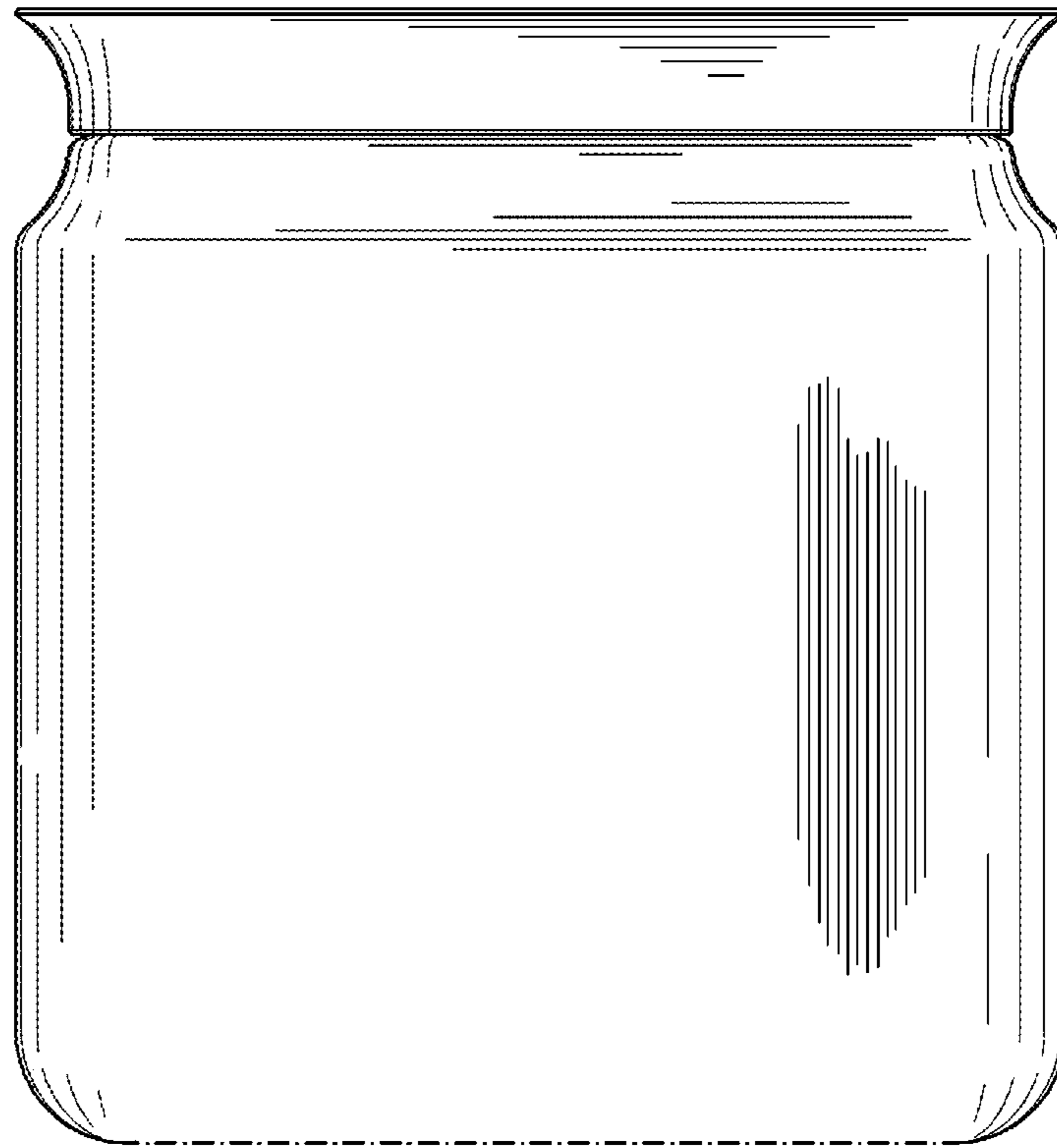


FIG. 15

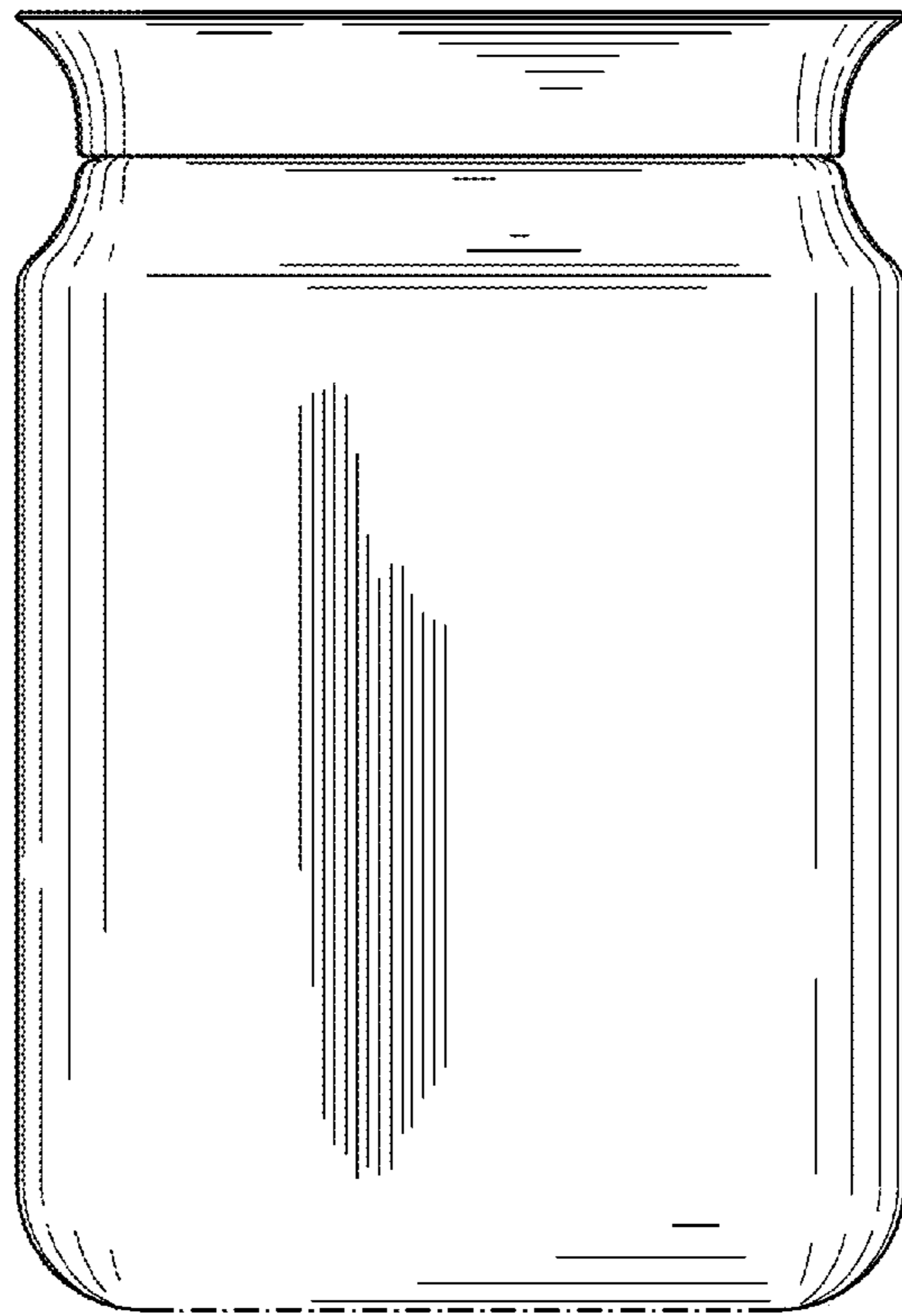


FIG. 16



FIG. 17

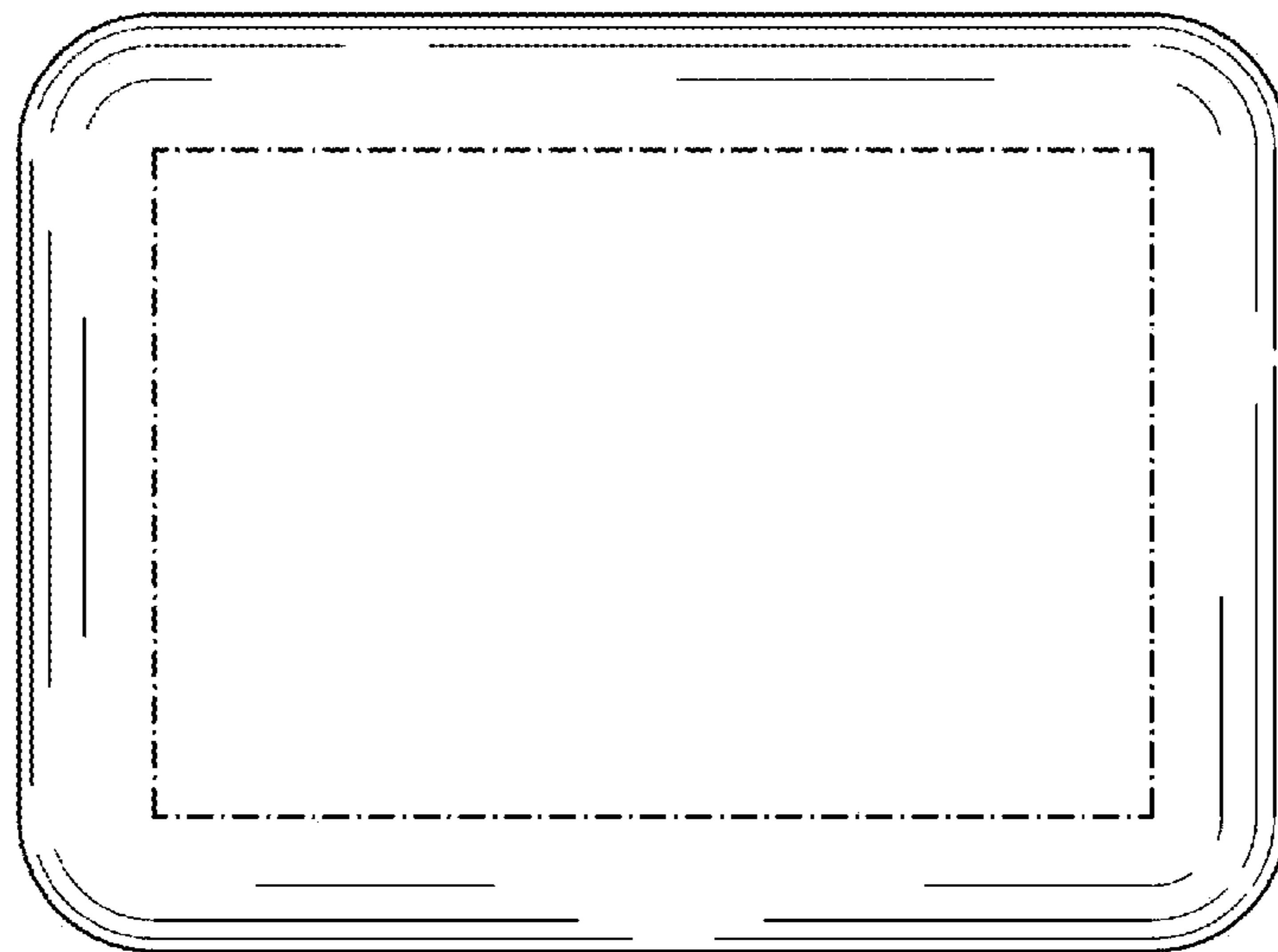


FIG. 18