



US00D719026S

(12) **United States Design Patent**  
**Prero**

(10) **Patent No.:** **US D719,026 S**

(45) **Date of Patent:** **\*\* Dec. 9, 2014**

(54) **BOTTLE NECK**

(75) Inventor: **Gabriel Prero**, Chicago, IL (US)

(73) Assignee: **TricorBraun Inc.**, St. Louis, MO (US)

(\*\*) Term: **14 Years**

(21) Appl. No.: **29/431,823**

(22) Filed: **Sep. 11, 2012**

**Related U.S. Application Data**

(63) Continuation-in-part of application No. 13/588,565, filed on Aug. 17, 2012.

(60) Provisional application No. 61/525,045, filed on Aug. 18, 2011.

(51) **LOC (10) Cl.** ..... **09-01**

(52) **U.S. Cl.**  
USPC ..... **D9/516**

(58) **Field of Classification Search**  
USPC ..... D9/505, 516, 518, 523, 527-528, 544,  
D9/546, 550, 560, 563, 572-575, 414, 416,  
D9/432, 434-435, 682; 215/379-382, 400  
See application file for complete search history.

(56) **References Cited**

**U.S. PATENT DOCUMENTS**

D89,681 S *	4/1933	Crimmel et al.	.....	D9/544
D98,899 S *	3/1936	Werts	.....	D9/516
D269,948 S *	8/1983	Janssen	.....	D9/523
D333,618 S *	3/1993	Patel et al.	.....	D9/523
5,285,924 A	2/1994	Morris		
5,347,865 A	9/1994	Mulry et al.		
D388,708 S *	1/1998	Monaghan	.....	D9/523
5,705,212 A	1/1998	Atkinson		
6,382,459 B1	5/2002	Liu		
D467,812 S *	12/2002	Roberts et al.	.....	D9/516
D524,656 S *	7/2006	Baron	.....	D9/516
D527,647 S *	9/2006	Blank	.....	D9/563

D573,475 S *	7/2008	Nottingham et al.	.....	D9/560
D587,118 S *	2/2009	Sadiq et al.	.....	D9/516
D682,110 S *	5/2013	Gonzalez	.....	D9/523
D696,952 S *	1/2014	Sawicki et al.	.....	D9/516
D703,057 S *	4/2014	Moore et al.	.....	D9/516
2005/0160807 A1	7/2005	Kilduff et al.		
2011/0126619 A1	6/2011	Robbins		

**FOREIGN PATENT DOCUMENTS**

WO 2007/125064 A1 11/2007

**OTHER PUBLICATIONS**

Notification of Transmittal of the International Search Report and the Written Opinion of the International Searching Authority, or the Declaration, Nov. 2, 2012.

\* cited by examiner

*Primary Examiner* — Wan Laymon

(74) *Attorney, Agent, or Firm* — Husch Blackwell LLP

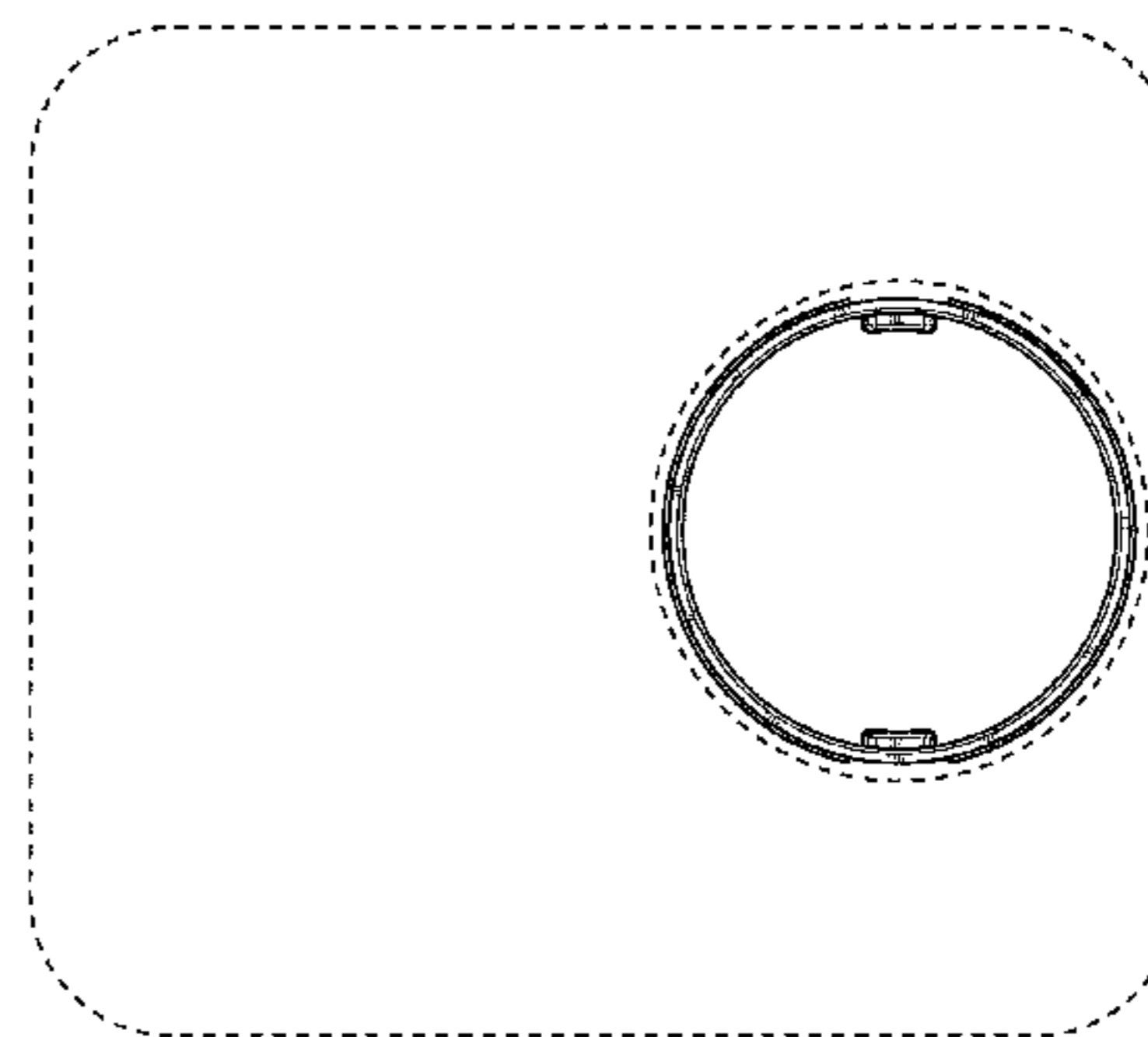
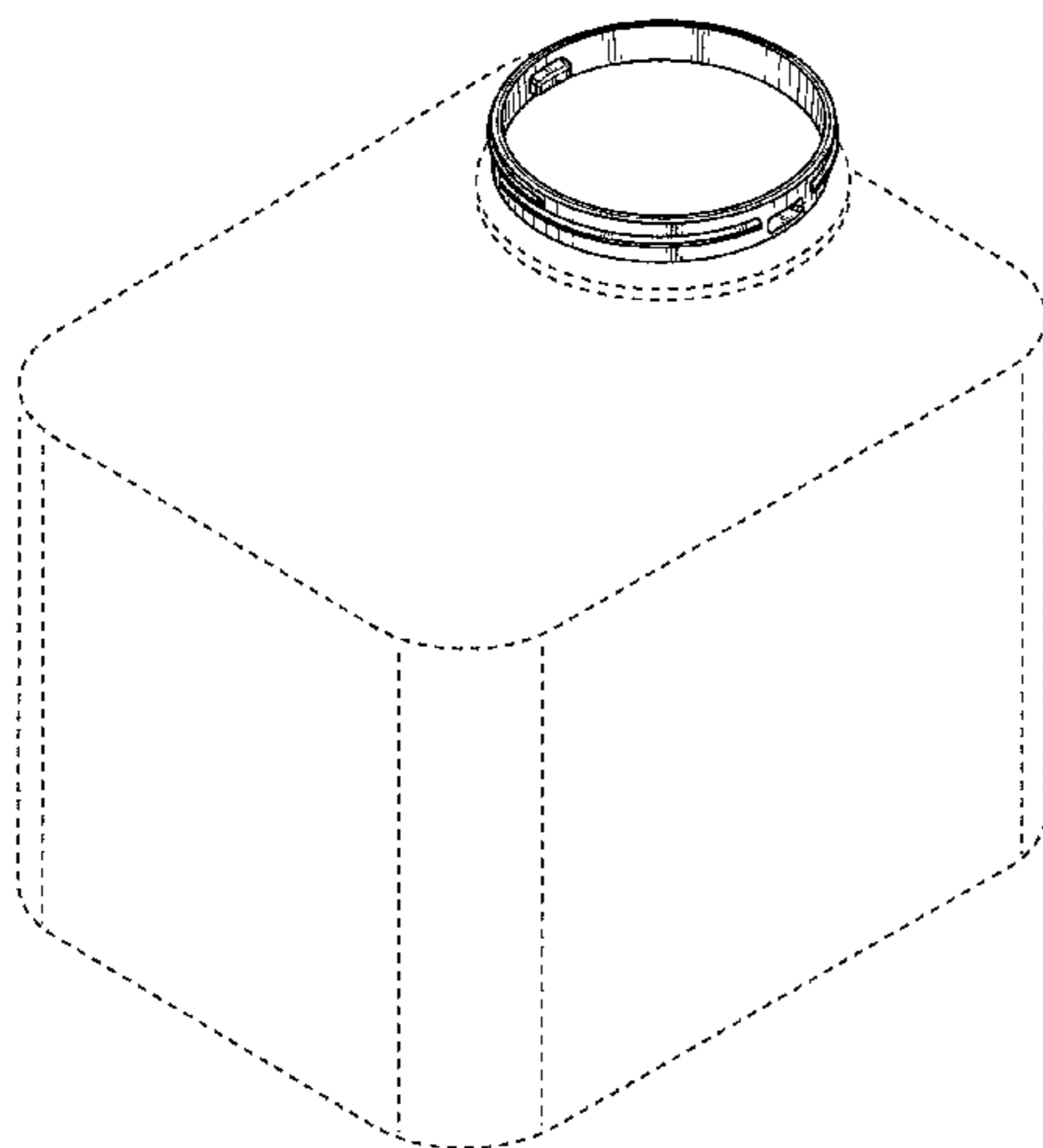
(57) **CLAIM**

I claim the ornamental design for a bottle neck, as shown and described.

**DESCRIPTION**

FIG. 1 is a perspective view of a bottle neck showing an embodiment of the new design;  
FIG. 2 is a front view thereof;  
FIG. 3 is a back view thereof;  
FIG. 4 is a left side view thereof;  
FIG. 5 is a right side view thereof;  
FIG. 6 is a top view thereof; and,  
FIG. 7 is a perspective view thereof, with additional unclaimed, environmental features shown for context.  
The broken lines shown in the drawing views are included for the purpose of showing environmental structure that forms no part of the claimed design.

**1 Claim, 5 Drawing Sheets**



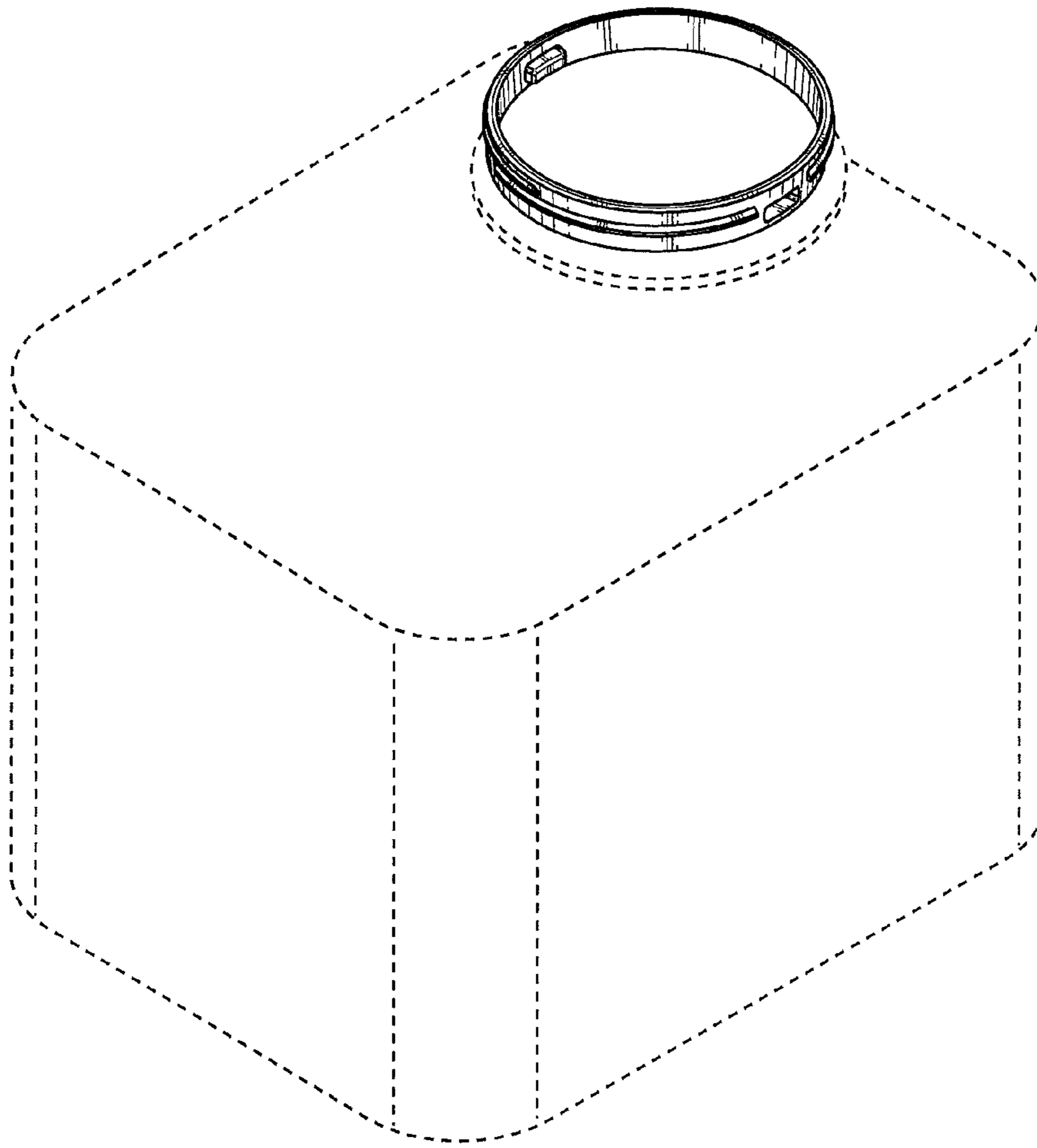


FIG. 1

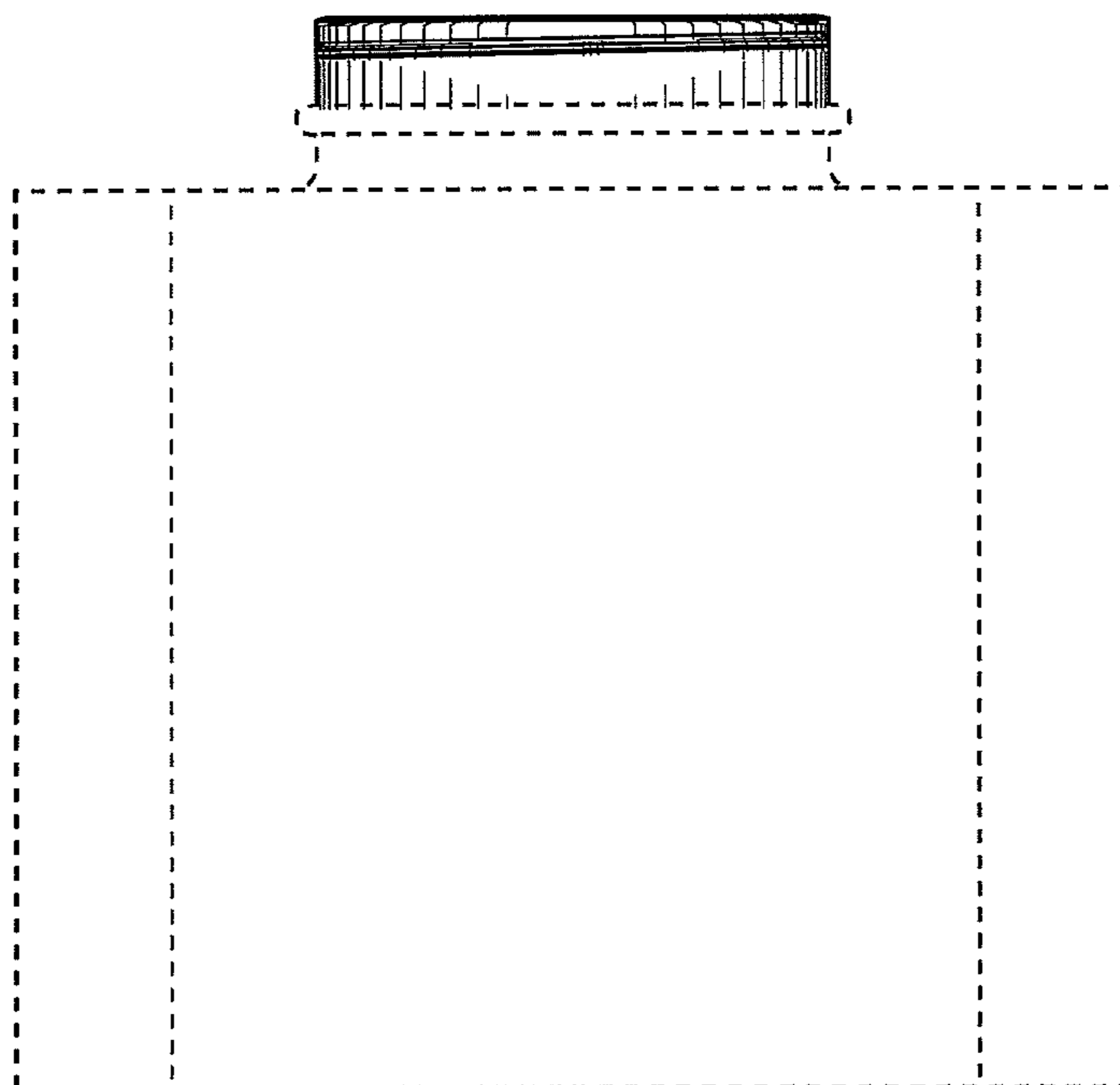


FIG. 2

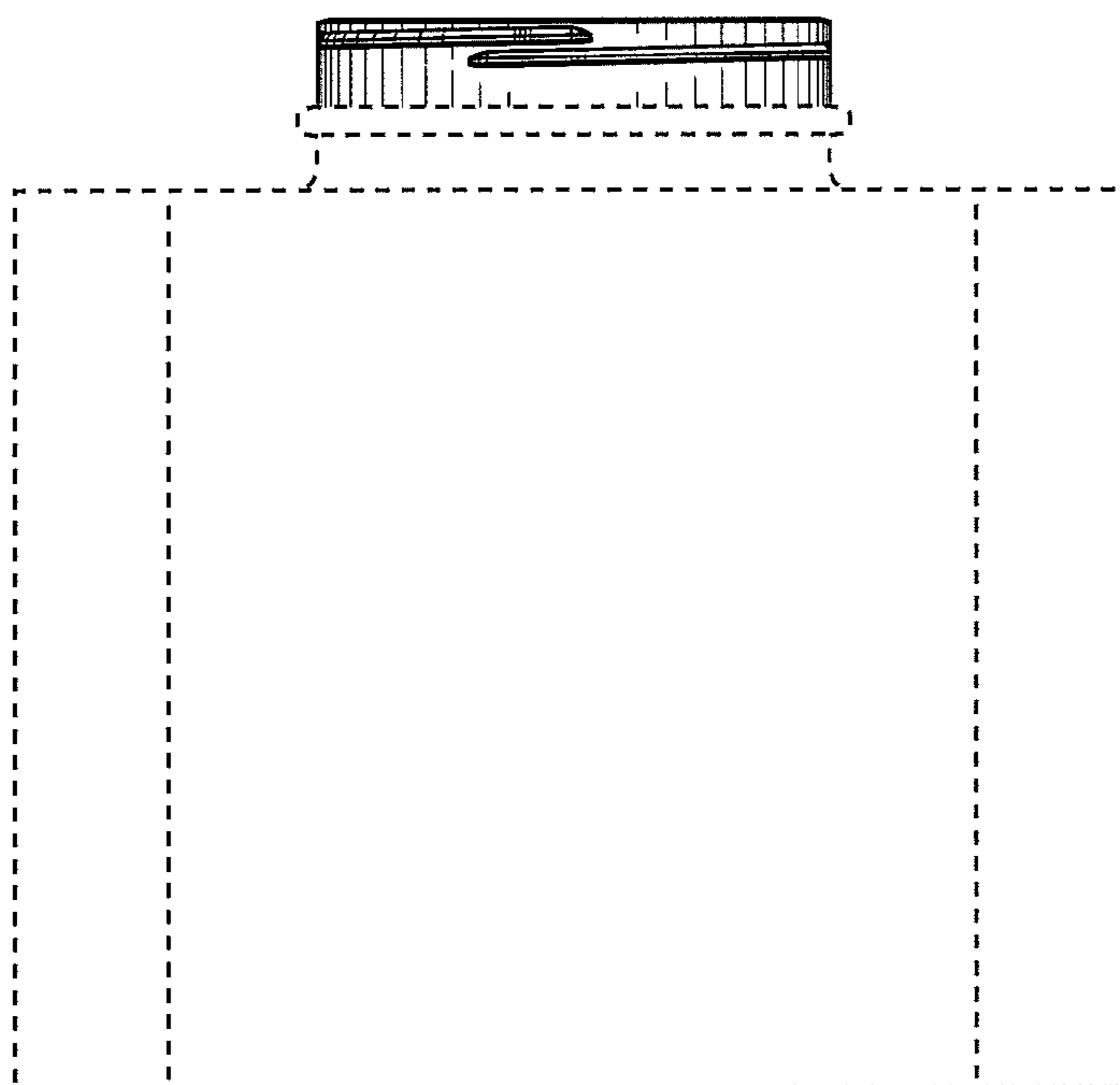


FIG. 3

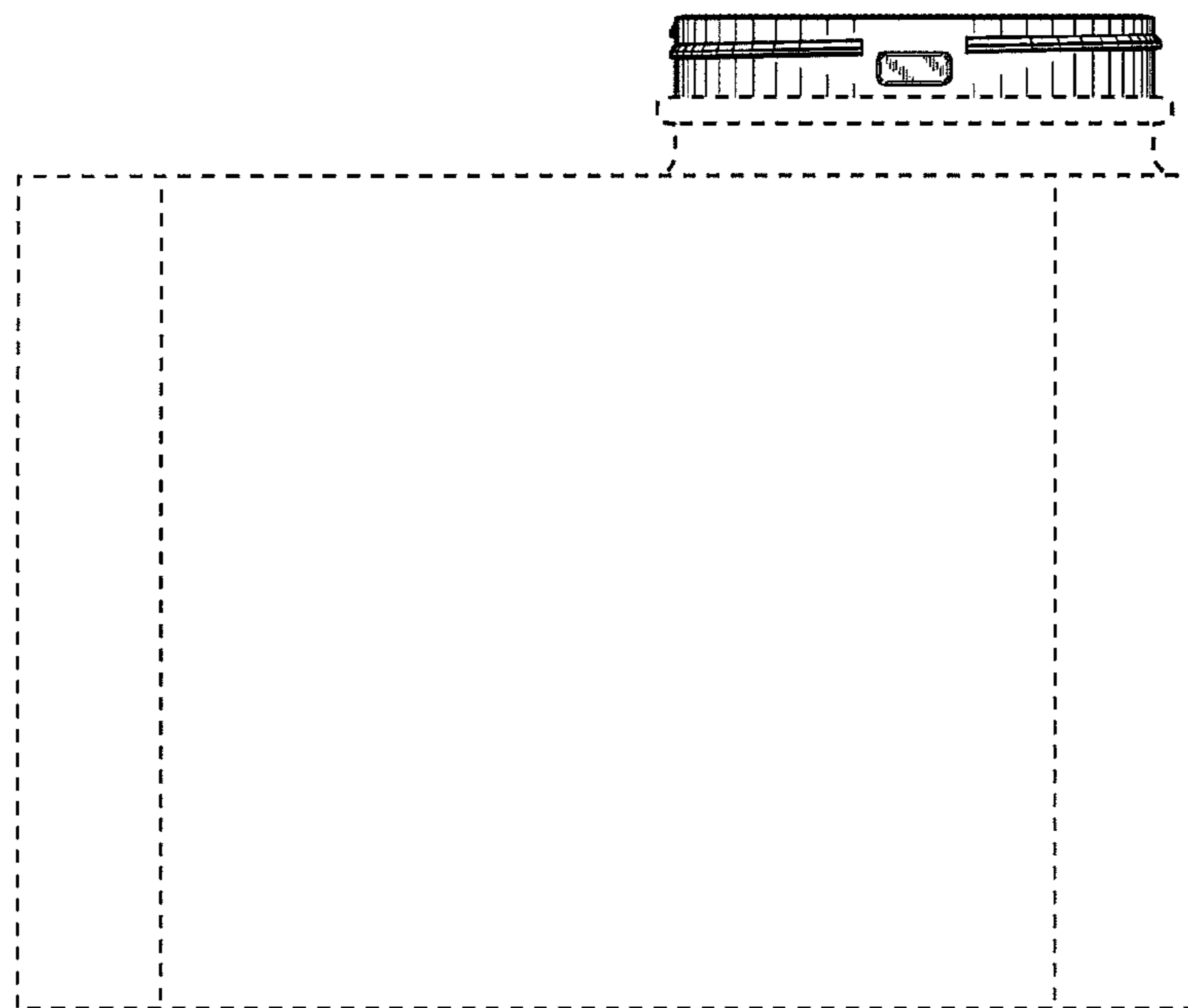


FIG. 4

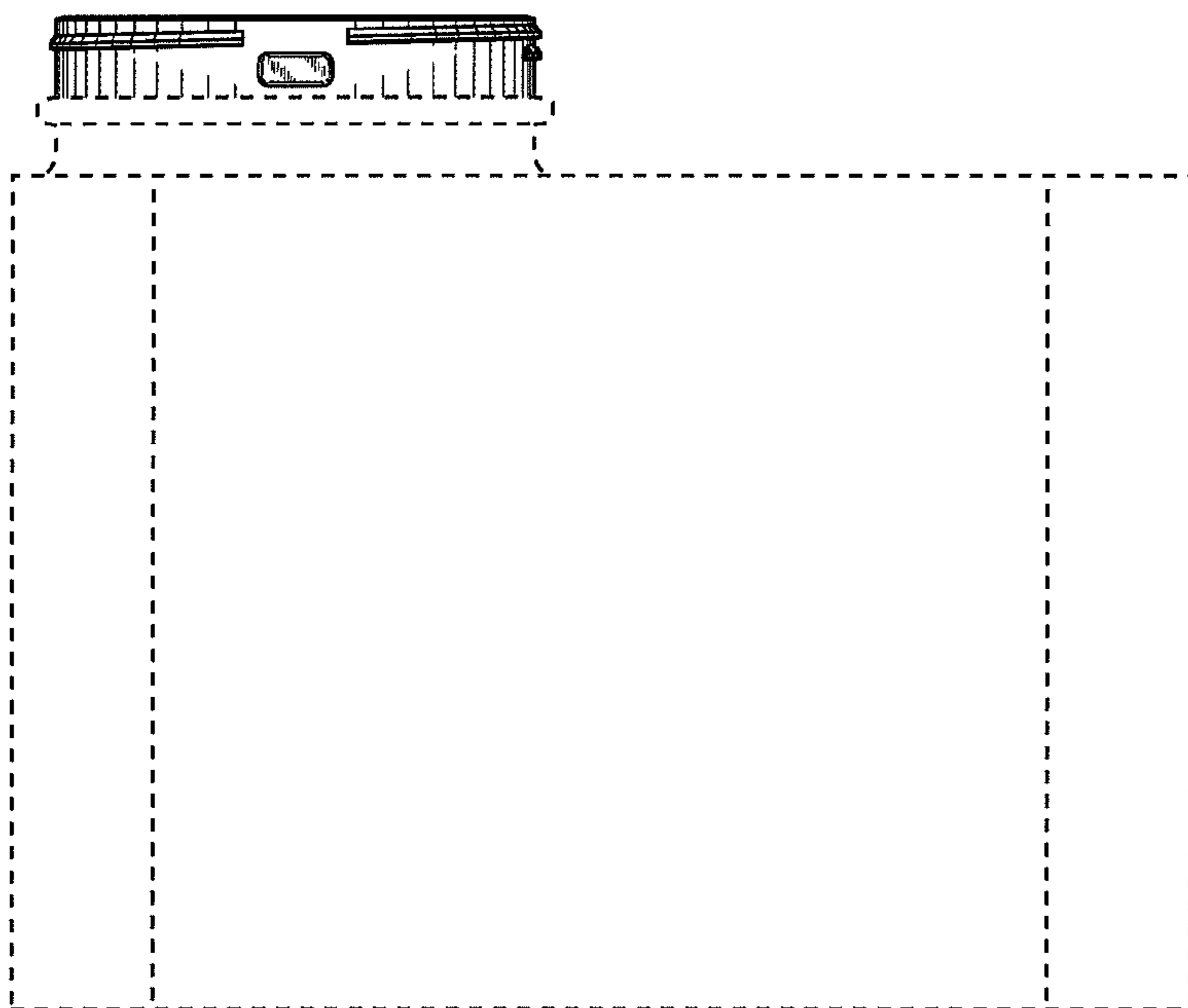


FIG. 5

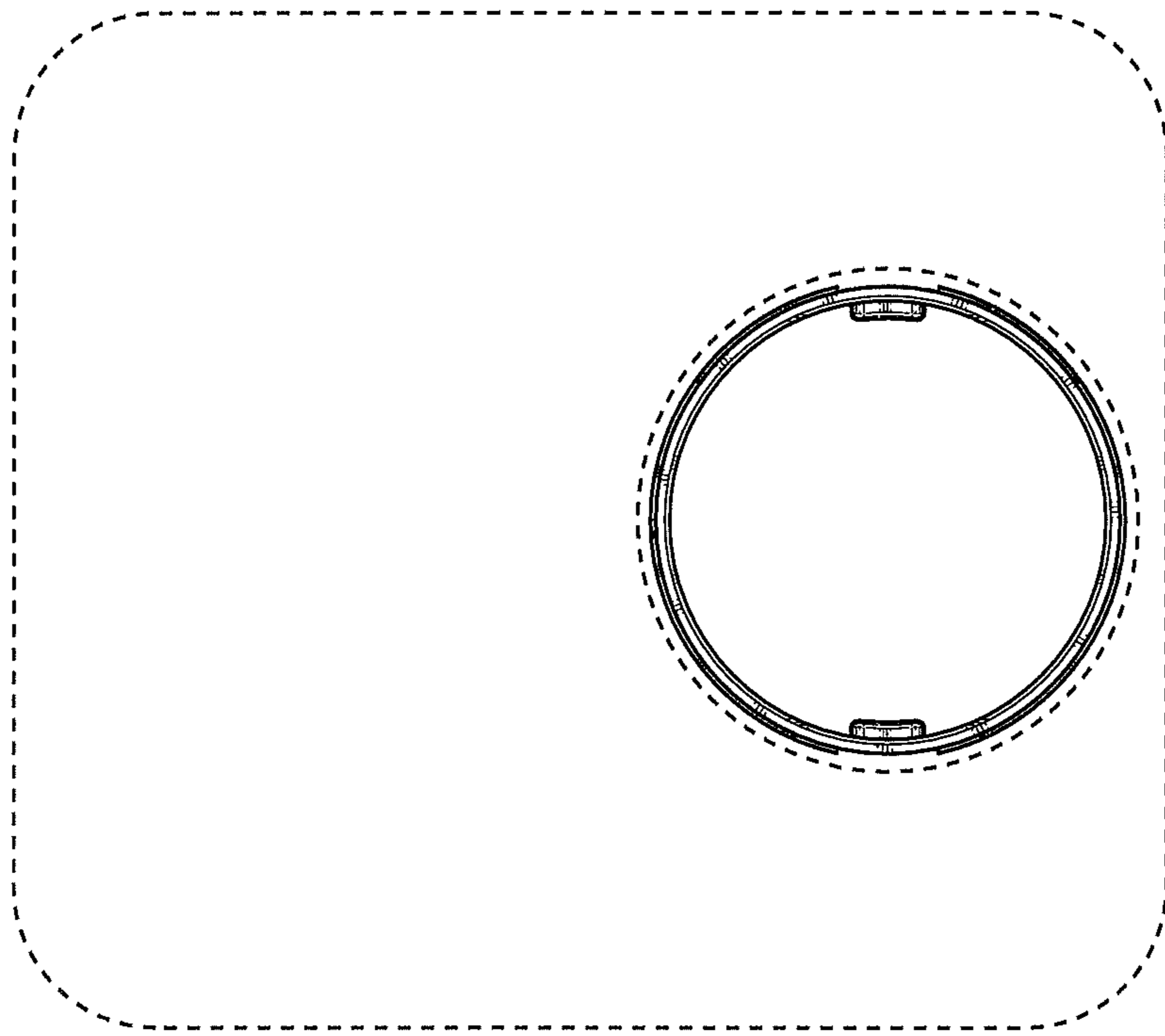


FIG. 6

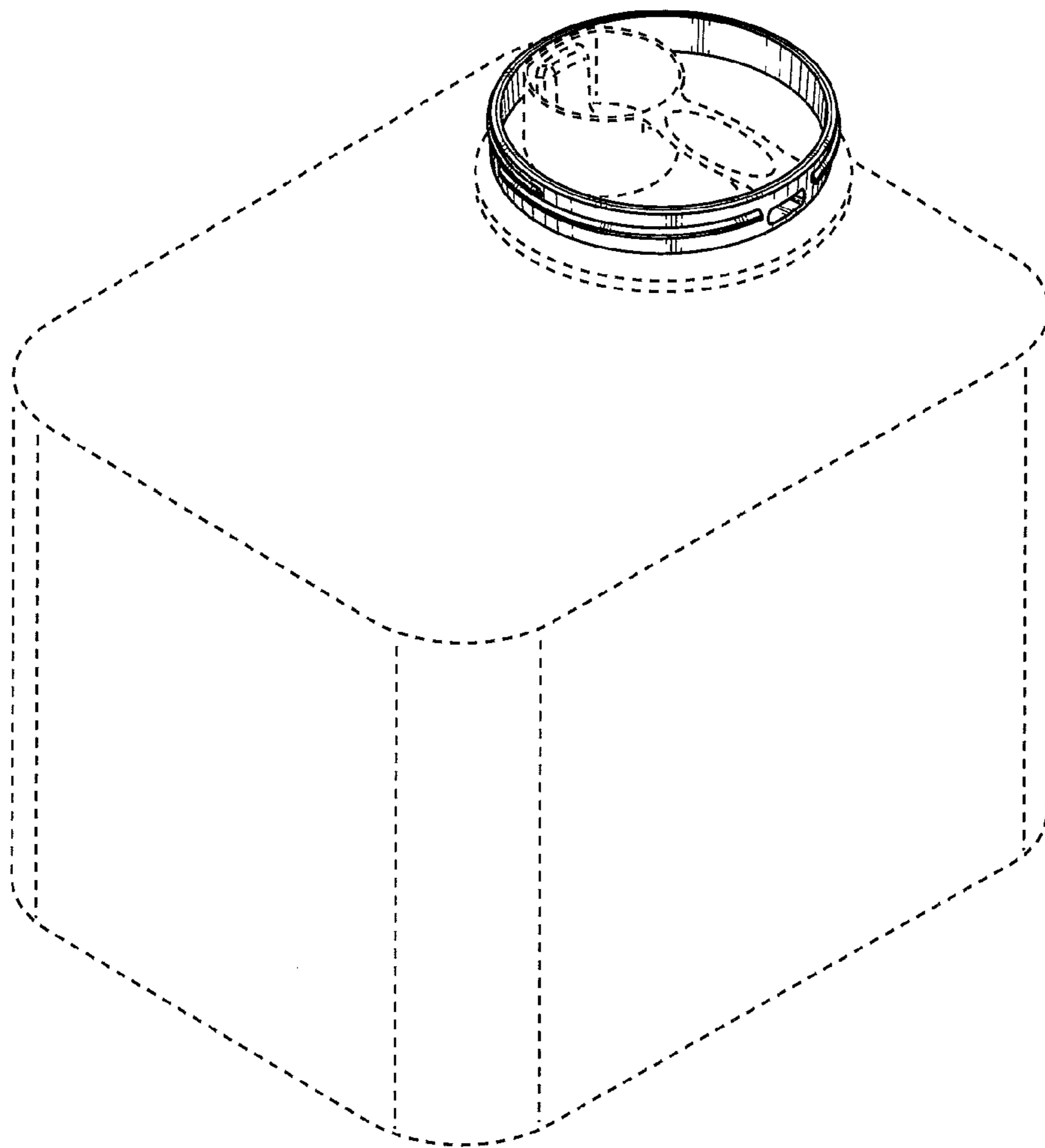


FIG. 7