



US00D719025S

(12) **United States Design Patent**
Ramirez et al.

(10) **Patent No.:** **US D719,025 S**
(45) **Date of Patent:** **** Dec. 9, 2014**

- (54) **CELL POCKET FOR PEAR TRAY**
- (71) Applicant: **Tekni-Plex, Inc.**, King of Prussia, PA (US)
- (72) Inventors: **Richard L. Ramirez**, Lawrenceville, GA (US); **Mark A. Bergeron**, Monroe, GA (US)
- (73) Assignee: **Tekni-Plex, Inc.**, King of Prussia, PA (US)
- (**) Term: **14 Years**
- (21) Appl. No.: **29/459,102**
- (22) Filed: **Jun. 26, 2013**
- (51) **LOC (10) Cl.** **09-07**
- (52) **U.S. Cl.**
USPC **D9/456**
- (58) **Field of Classification Search**
USPC D9/430, 431, 432, 433, 434, 435, 454, D9/455, 456, 499, 756, 757, 758; 206/315.9, 494, 521, 521.1, 521.15, 206/521.2, 521.3, 521.4, 521.5, 521.6, 206/521.7, 521.8; 220/410; 229/109, 110, 229/120.01, 406, 407
See application file for complete search history.

- D333,093 S * 2/1993 Rehrig et al. D9/456
- D352,893 S * 11/1994 Legacy et al. D9/755
- RE41,054 E * 12/2009 Nakagawa D3/264
- D649,460 S * 11/2011 Davis D9/456
- D667,305 S * 9/2012 Kuhn et al. D9/456

* cited by examiner

Primary Examiner — Robert M Spear

(74) *Attorney, Agent, or Firm* — Novak Druce Connolly Bove + Quigg LLP

(57) **CLAIM**

The ornamental design for a cell pocket for pear tray, as shown and described.

DESCRIPTION

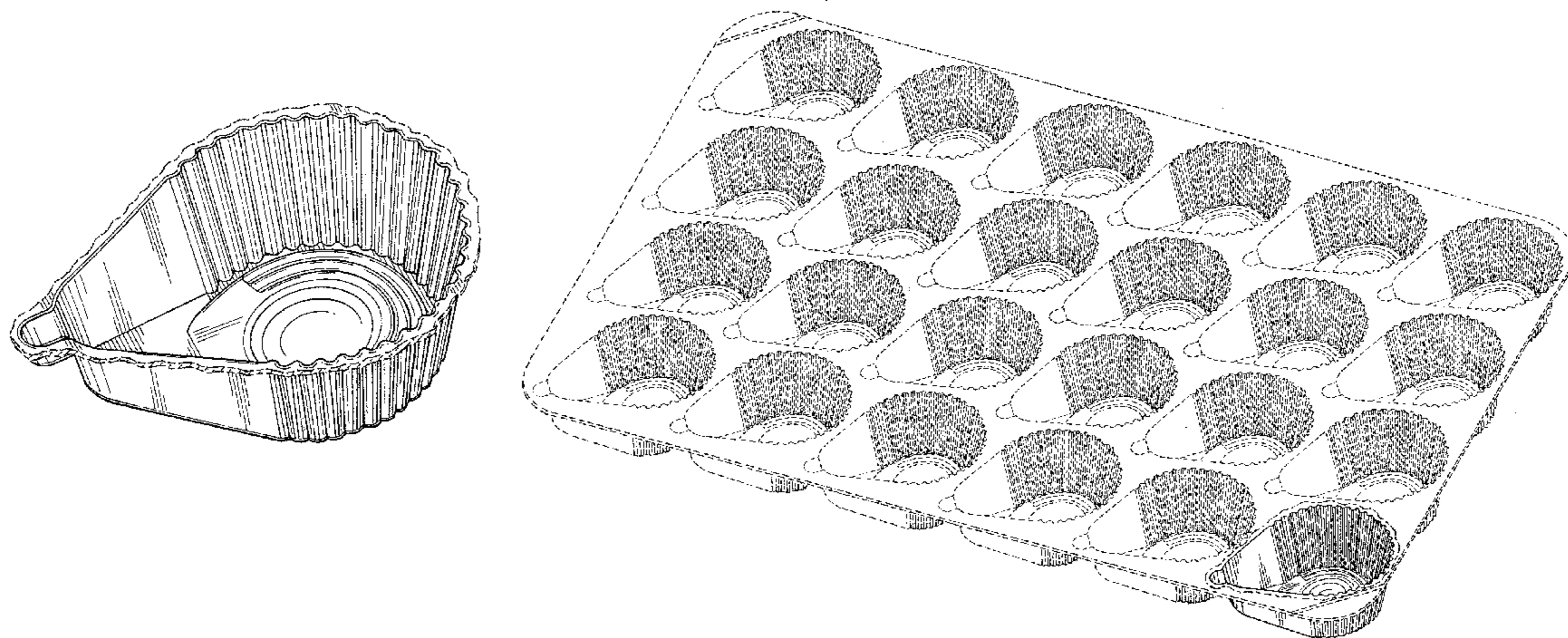
FIG. 1 is a top front, right, side perspective view of a cell pocket for pear tray, showing my new design;
 FIG. 2 is a top plan view thereof;
 FIG. 3 is a bottom plan view thereof;
 FIG. 4 is a front elevational view thereof;
 FIG. 5 is a rear elevational view thereof;
 FIG. 6 is a left side elevational view, the right side being a mirror image thereof;
 FIG. 7 is a cross-sectional view taken along line 7-7 of FIG. 2;
 FIG. 8 is a cross-sectional view showing the cell pocket in its environment (pear shown in dashed lines); and,
 FIG. 9 is a perspective view of the pocket in its environment, namely a whole tray shown in dashed lines except for one corner pocket.
 The broken lines in the drawings represent unclaimed environmental subject matter and form no part of the claim. The dash-dot-dash lines in the drawings represent the boundaries of the claimed subject matter.

1 Claim, 5 Drawing Sheets

(56) **References Cited**

U.S. PATENT DOCUMENTS

- D164,302 S * 8/1951 Harper D9/757
- 2,843,496 A * 7/1958 Altenburg et al. 217/26.5
- D183,318 S * 8/1958 Martelli D9/758
- 3,420,395 A * 1/1969 Boyd et al. 217/26.5
- 3,464,618 A * 9/1969 Martelli et al. 229/406



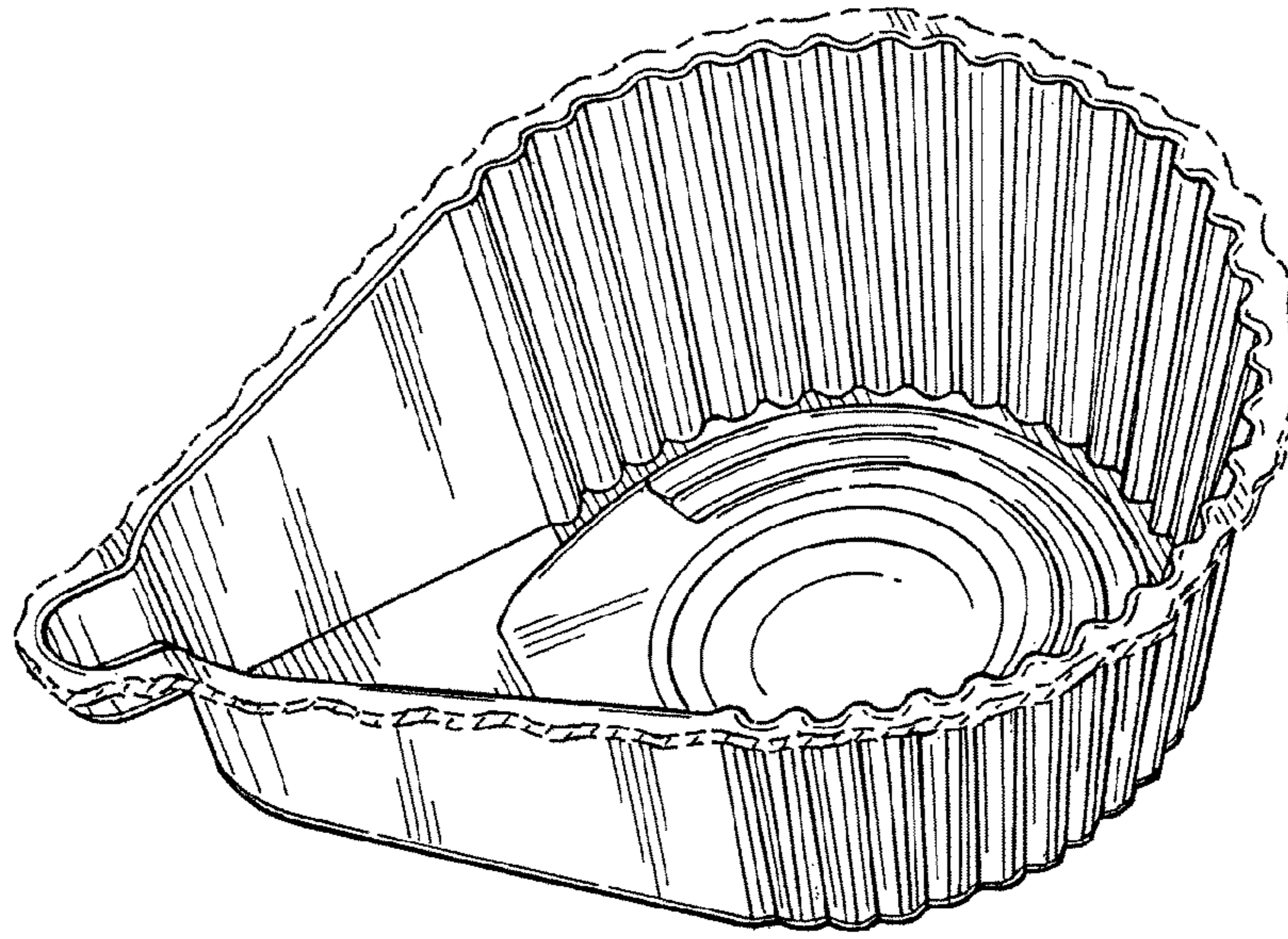


Fig. 1

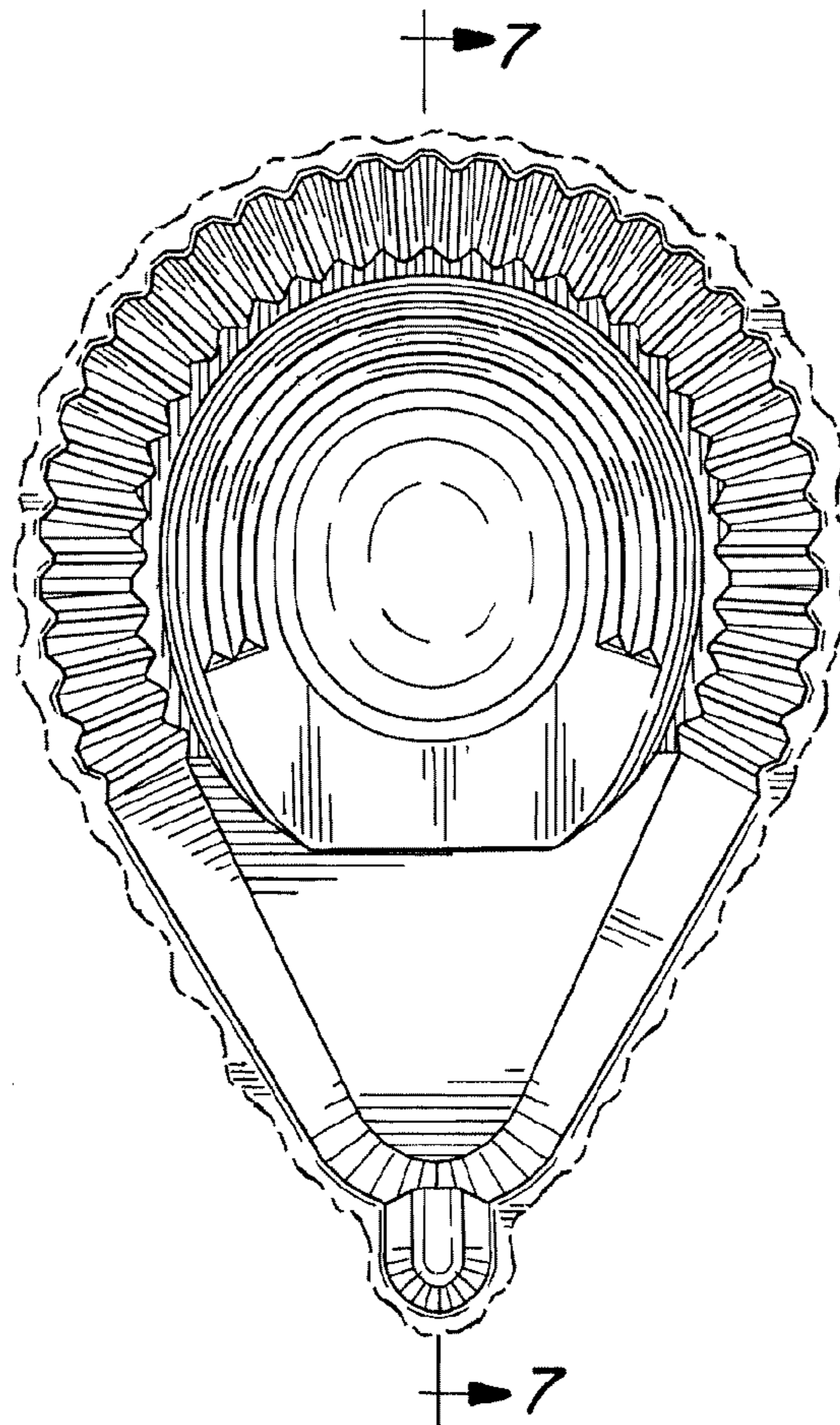


Fig. 2

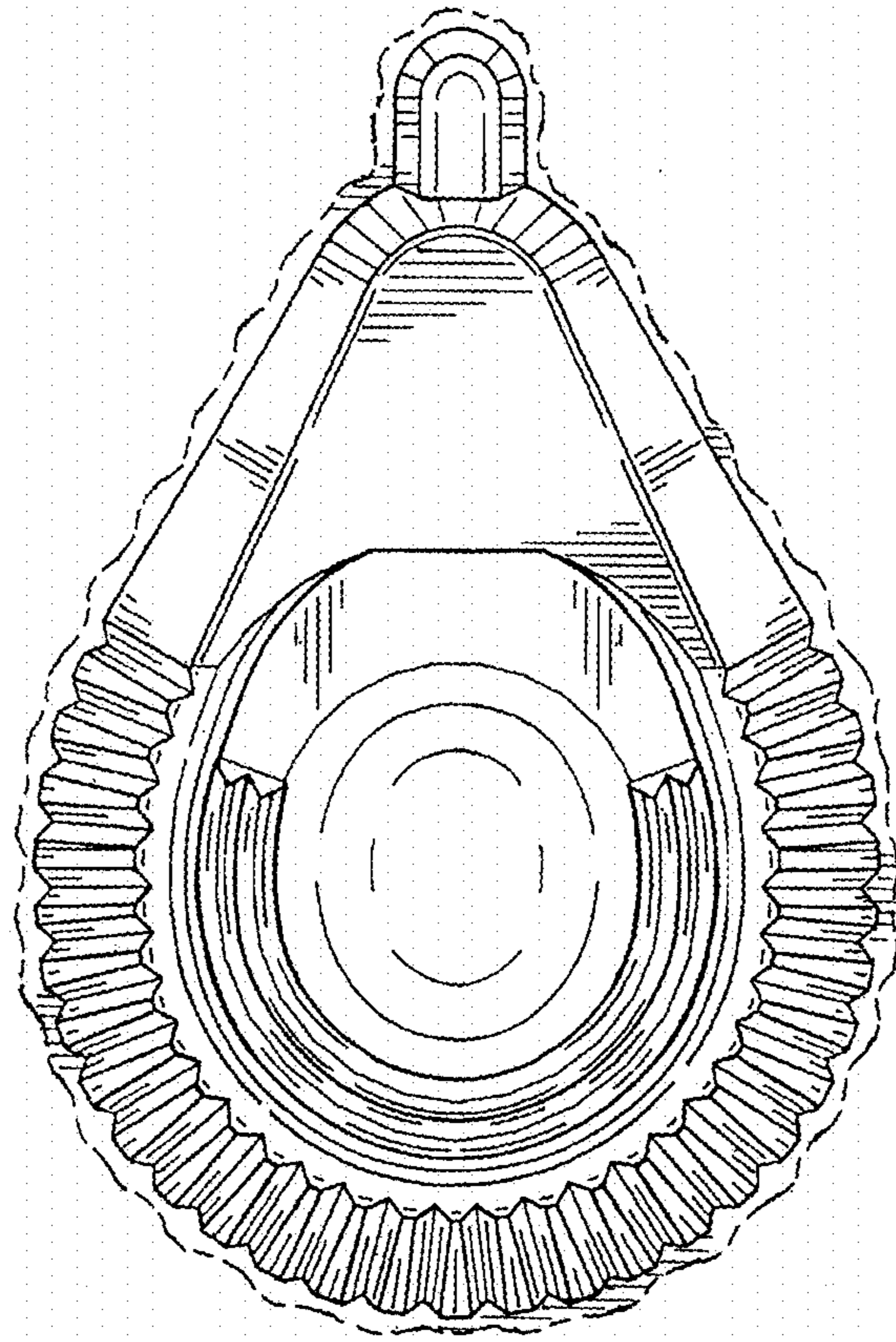


Fig. 3

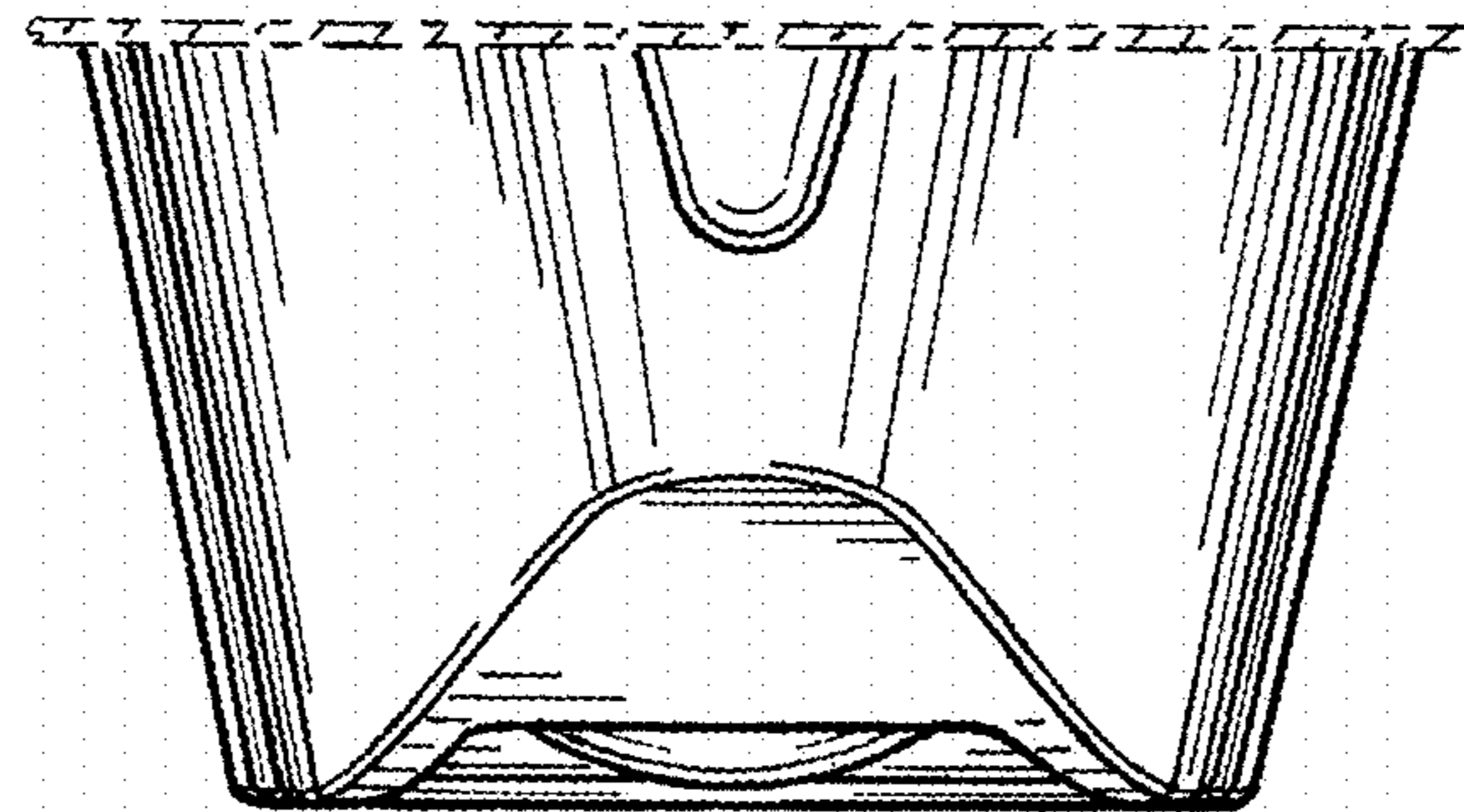


Fig. 4

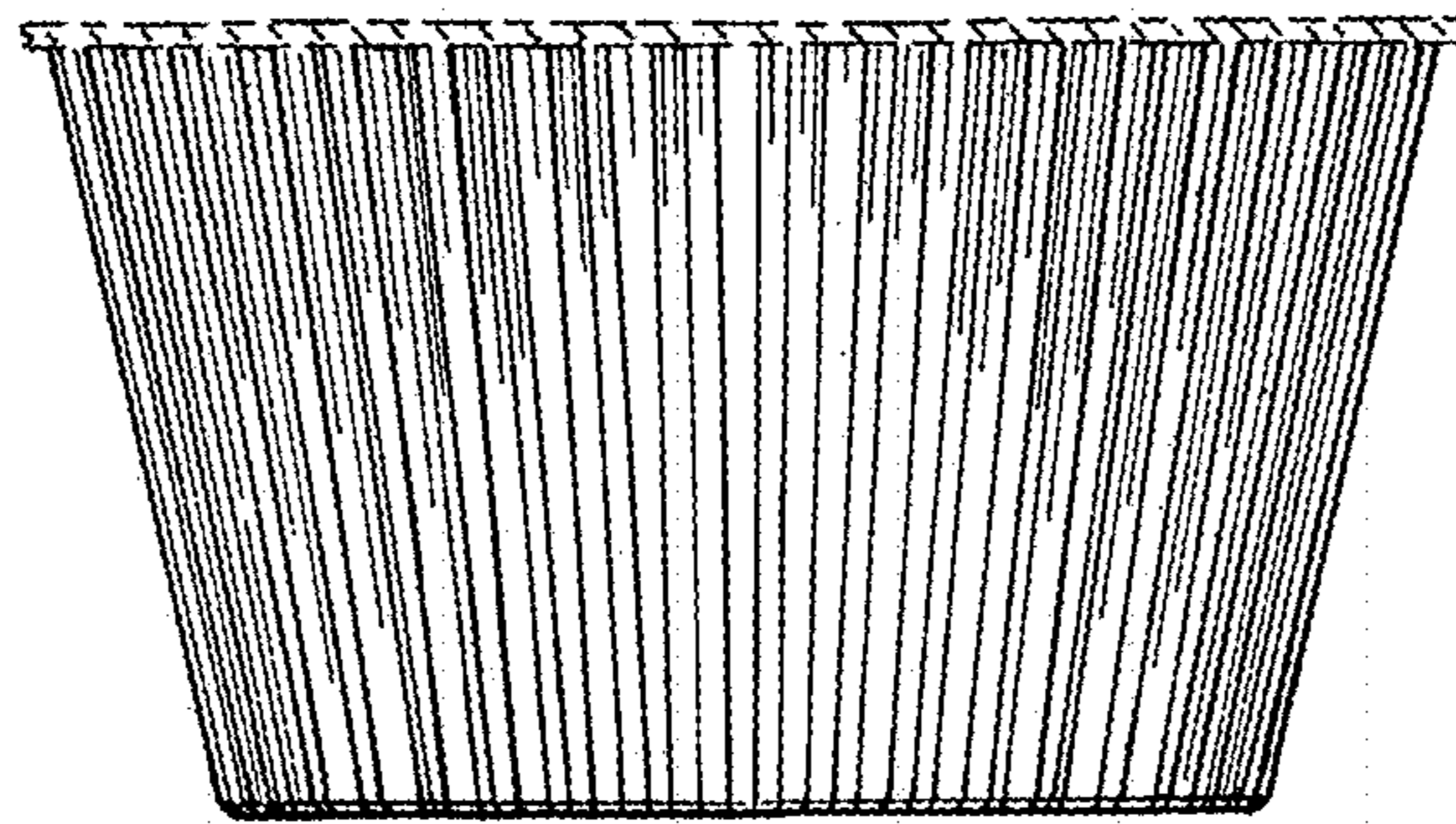


Fig. 5

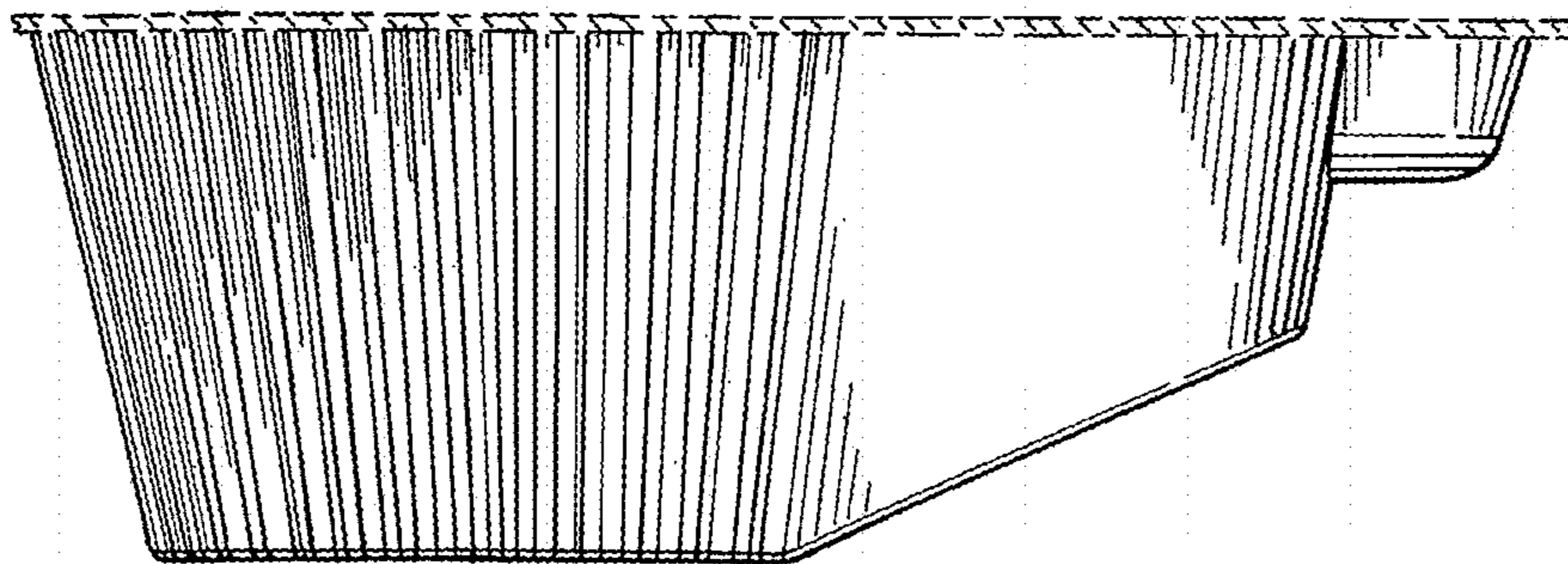


Fig. 6

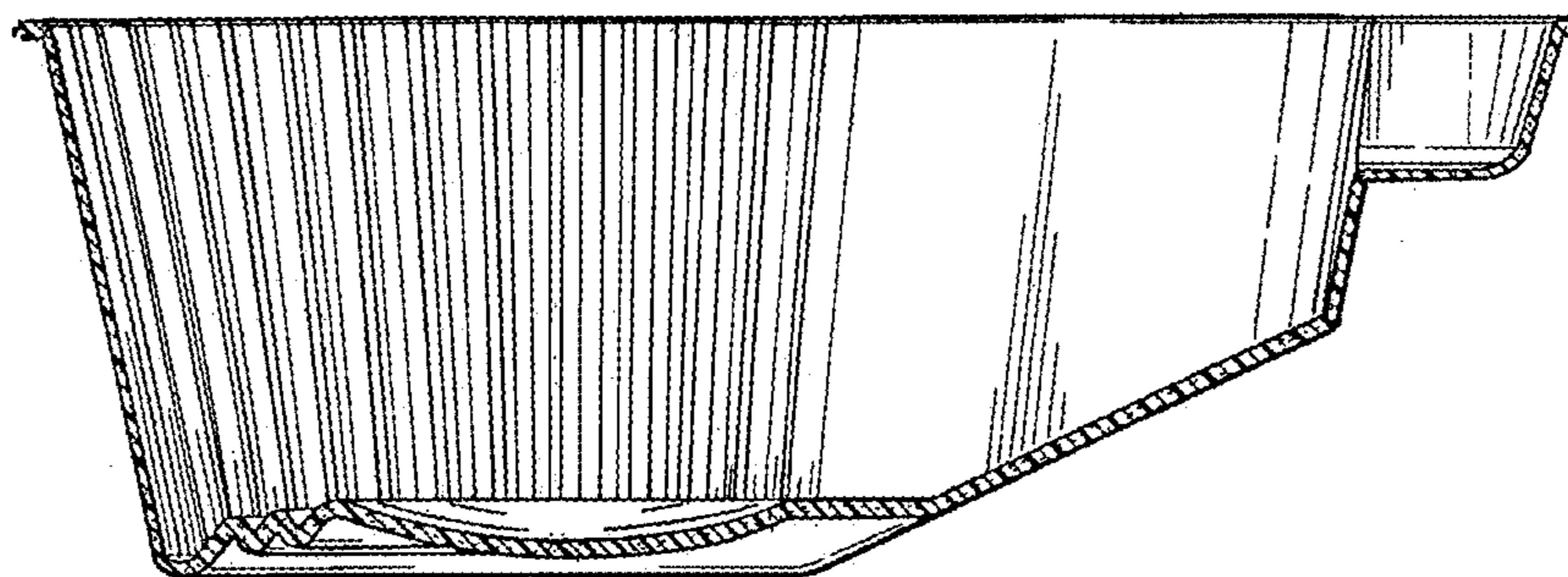


Fig. 7

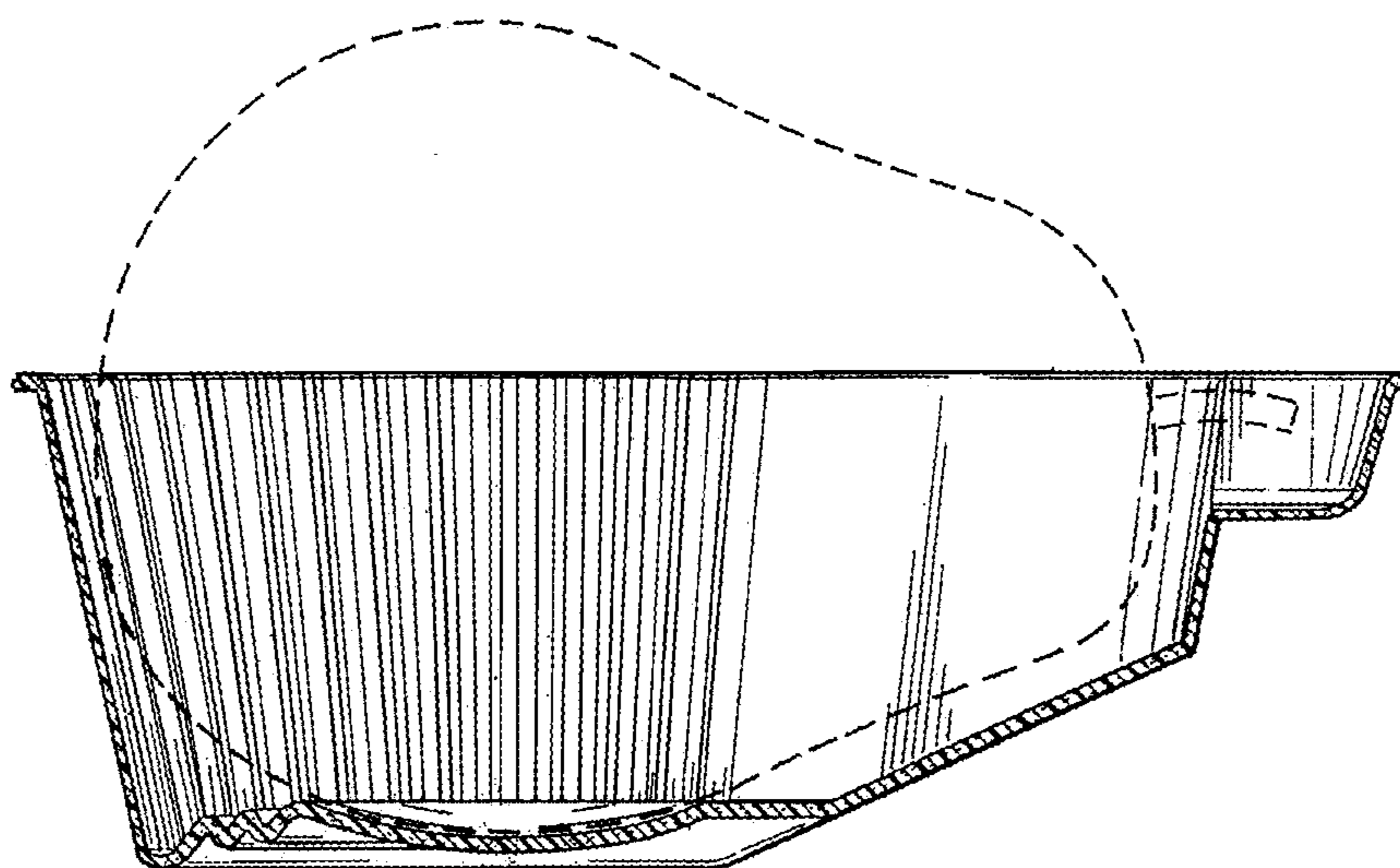


Fig. 8

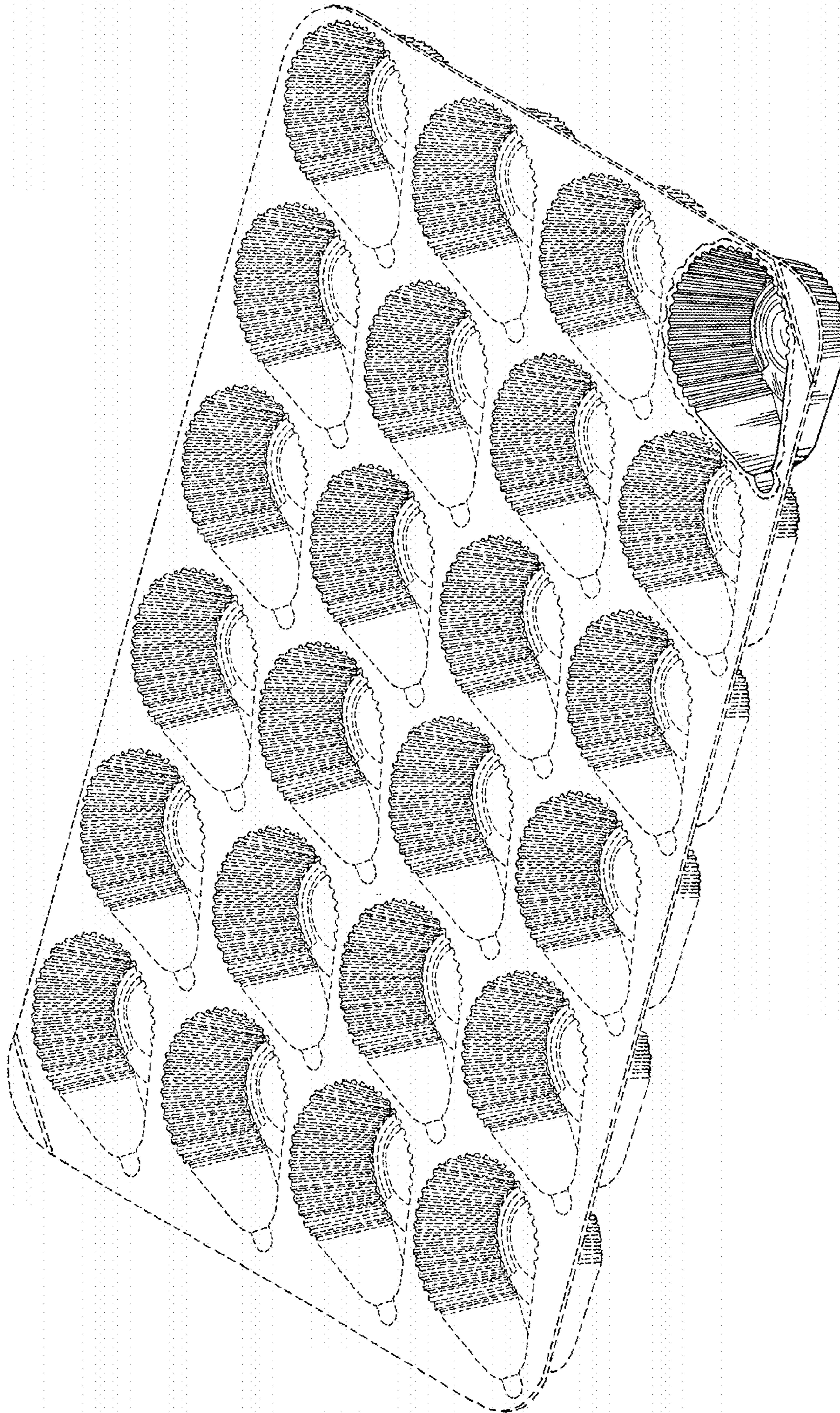


Fig. 9