

US00D719024S

(12) **United States Design Patent**
Reaux

(10) **Patent No.:** **US D719,024 S**
(45) **Date of Patent:** **** Dec. 9, 2014**

(54) **NOVELTY SCREW ON BOTTLE CAP HAVING LIPS**

(71) Applicant: **Brian K. Reaux**, Red Oak, TX (US)

(72) Inventor: **Brian K. Reaux**, Red Oak, TX (US)

(73) Assignee: **Brian K. Reaux**, Red Oak, TX (US)

(**) Term: **14 Years**

(21) Appl. No.: **29/463,850**

(22) Filed: **Mar. 19, 2014**

(51) **LOC (10) Cl.** **09-01**

(52) **U.S. Cl.**
USPC **D9/451**; D9/443; D24/195

(58) **Field of Classification Search**
USPC D7/514-520, 613, 619.2, 623, 628,
D7/392.1; D9/600, 655-663, 434-436,
D9/439-441, 443, 447-451; 206/494, 457,
206/459.1, 459.5; 215/203, 230, 387-388,
215/400; D24/195

See application file for complete search history.

(56) **References Cited**

U.S. PATENT DOCUMENTS

D271,052 S * 10/1983 Qually D24/195
D276,598 S * 12/1984 Bagwell D9/443

D331,628 S * 12/1992 Dodson et al. D24/195
D342,448 S * 12/1993 Ritcey D9/443
D351,793 S * 10/1994 Stoller D9/443
D415,568 S * 10/1999 Bernd D24/195
D421,804 S * 3/2000 Gill D24/195
D470,943 S * 2/2003 Adams D24/195
6,923,332 B1 * 8/2005 Thomas 215/388
D521,646 S * 5/2006 Mann D24/195
D621,705 S * 8/2010 Breckan D9/443
D679,022 S * 3/2013 Feinberg D24/195

* cited by examiner

Primary Examiner — Sandra Morris

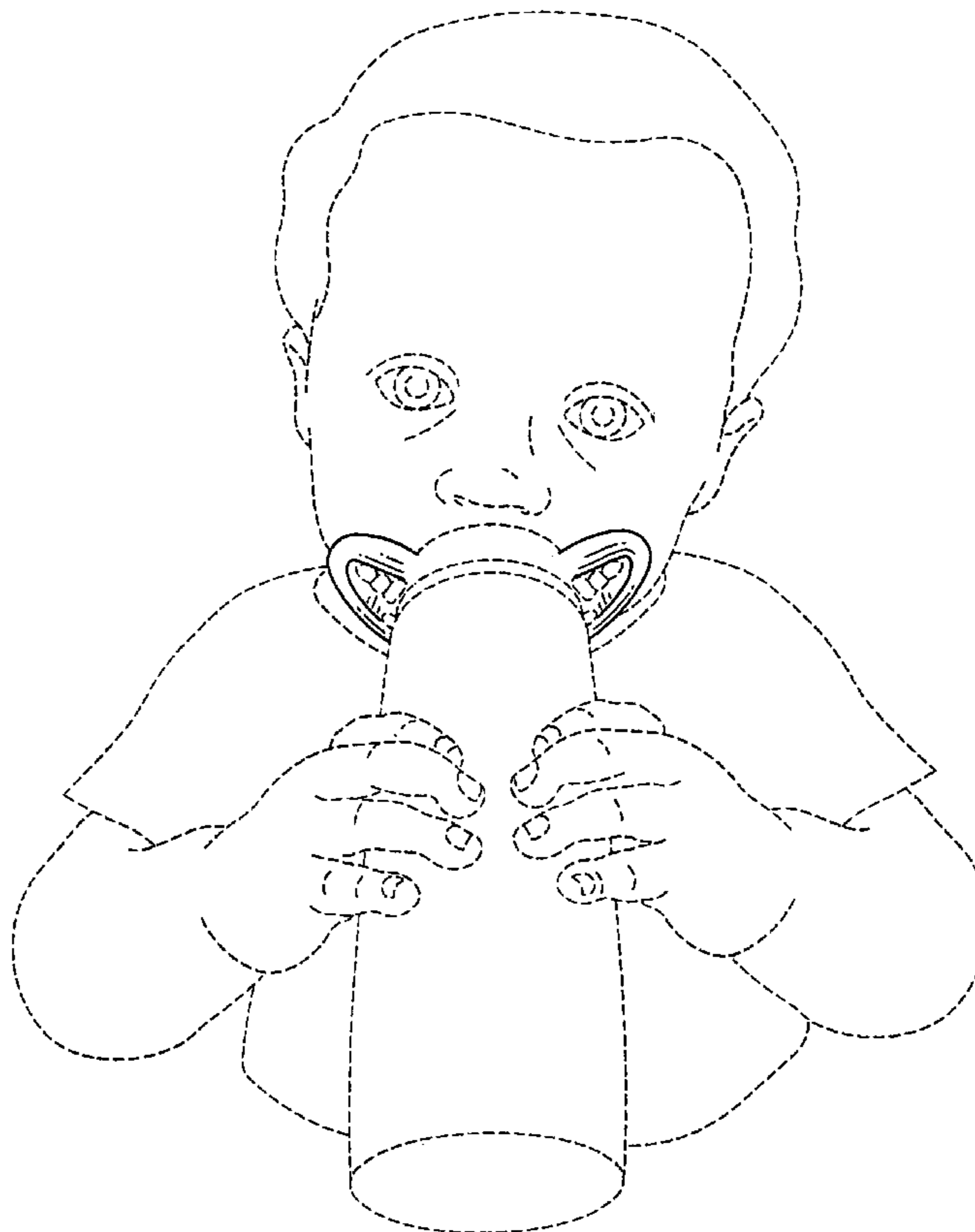
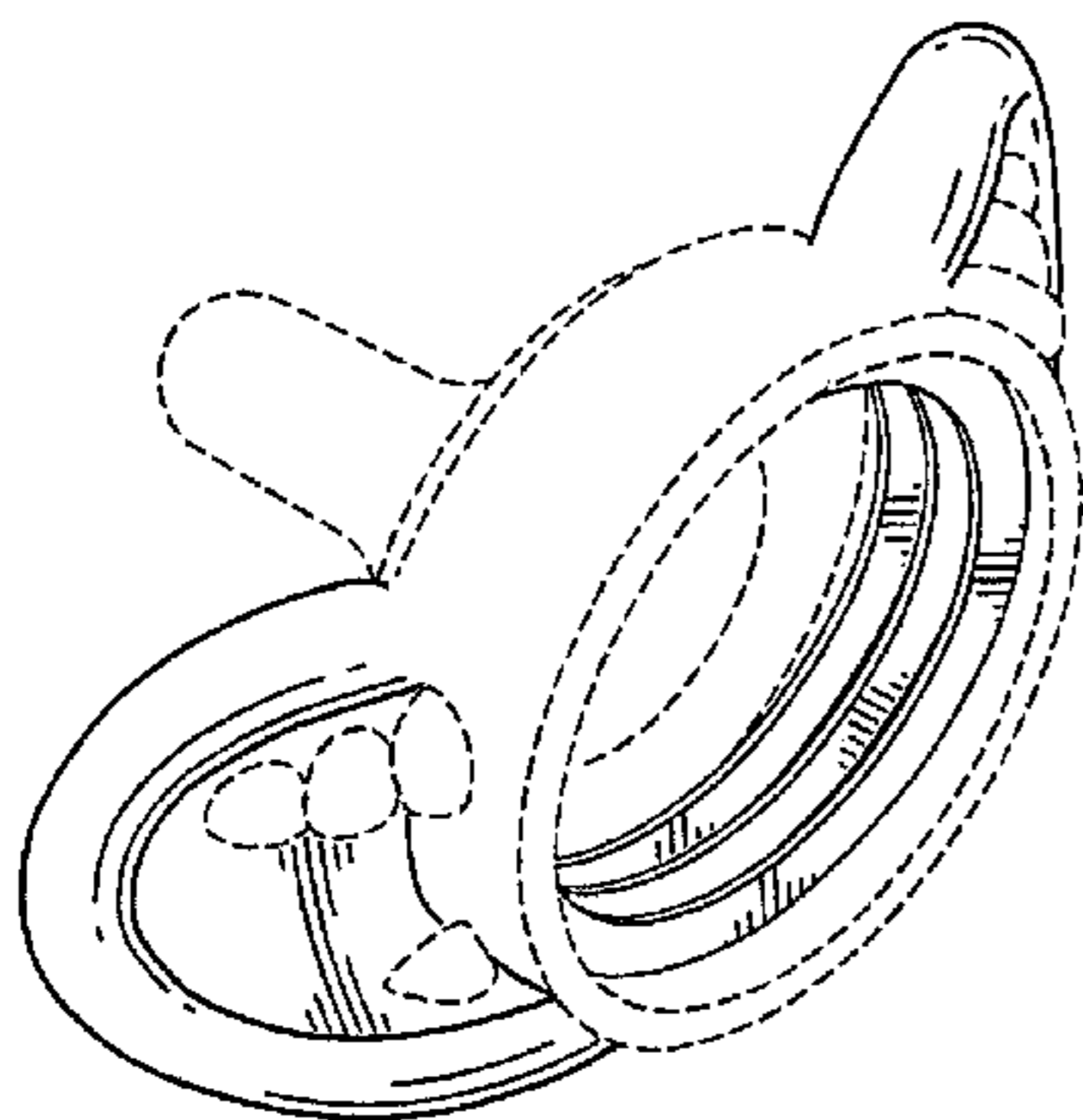
(57) **CLAIM**

The ornamental design for a novelty screw on bottle cap having lips, as shown and described.

DESCRIPTION

FIG. 1 is a perspective view of a novelty screw on bottle cap having lips, showing my new design;
FIG. 2 is a front view thereof;
FIG. 3 is a back view thereof;
FIG. 4 is a right side view thereof;
FIG. 5 is a left side view thereof;
FIG. 6 is a plan top view thereof;
FIG. 7 is a plan bottom view thereof; and,
FIG. 8 is another perspective view thereof.
The broken line showing depicted in the figures form no part of the claimed design.

1 Claim, 4 Drawing Sheets



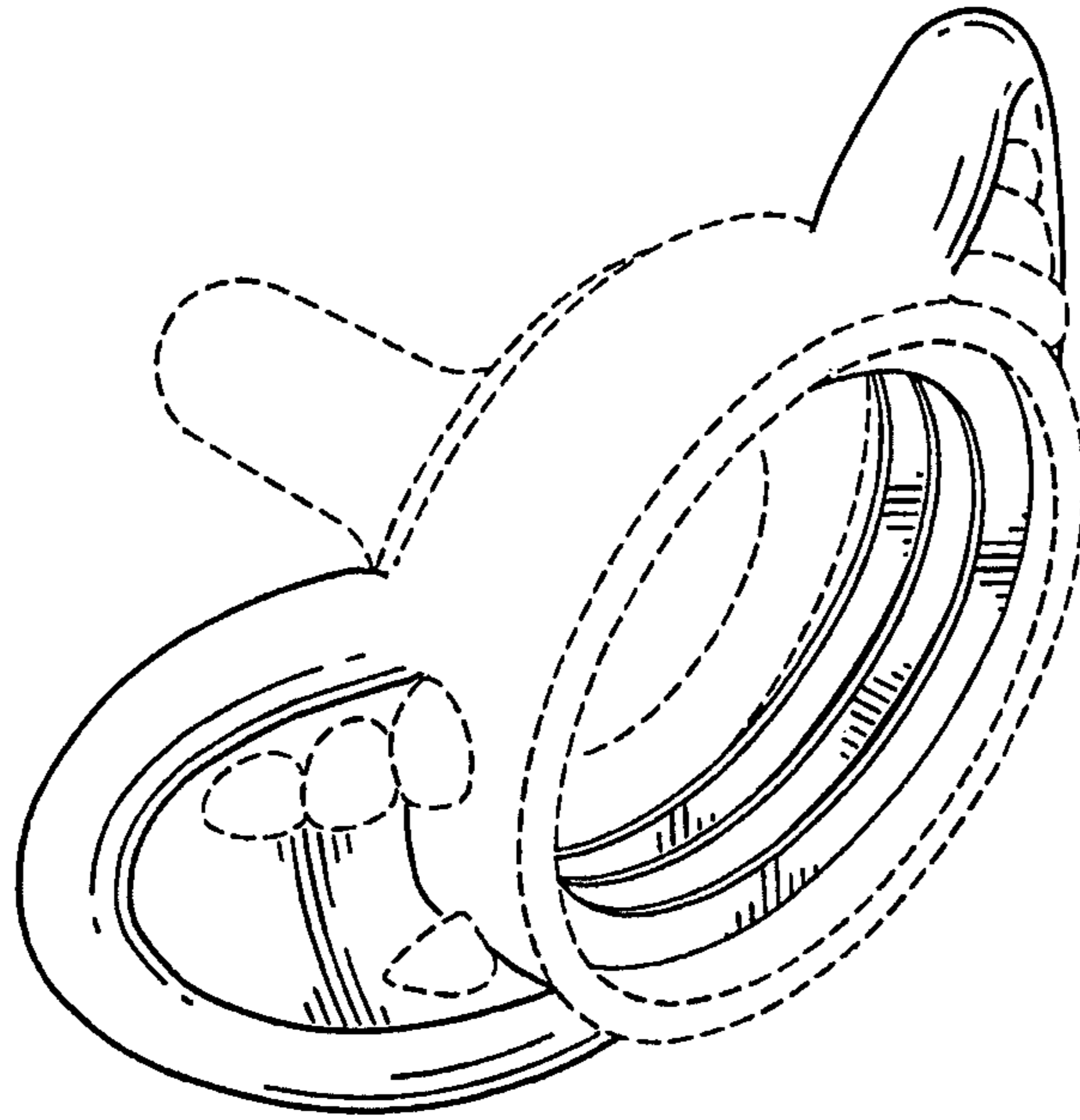


FIG. 1

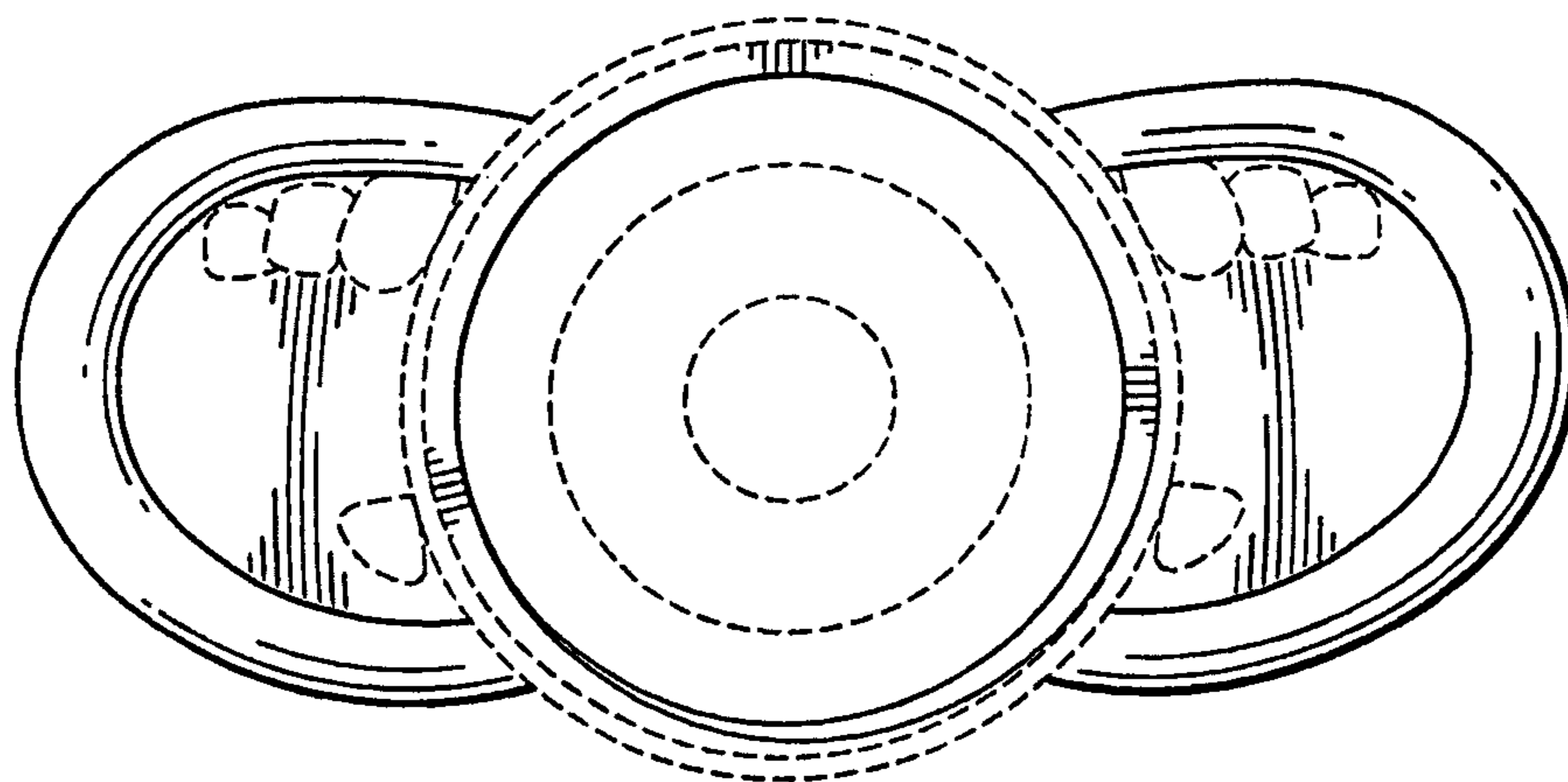


FIG. 2

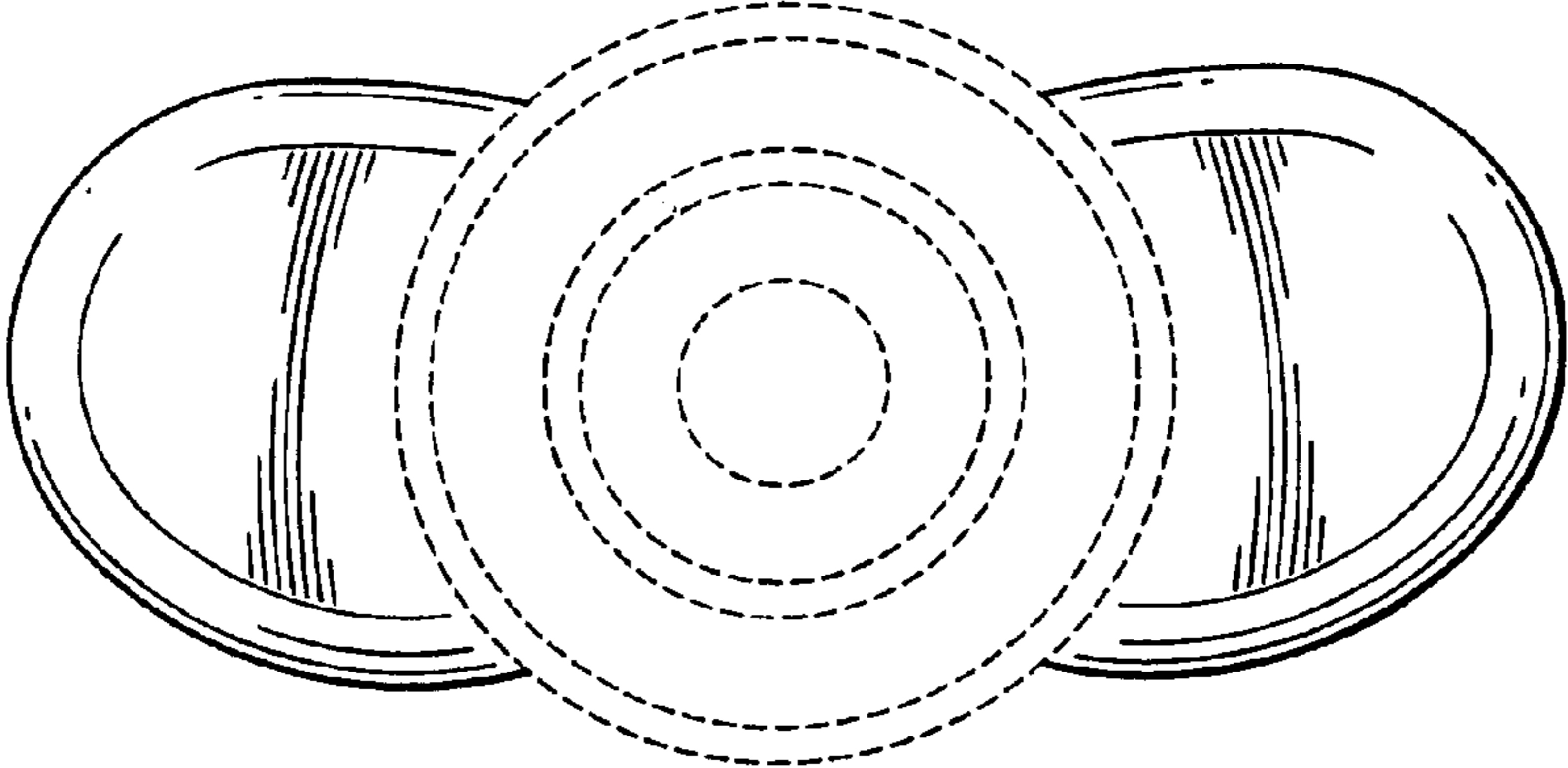


FIG. 3

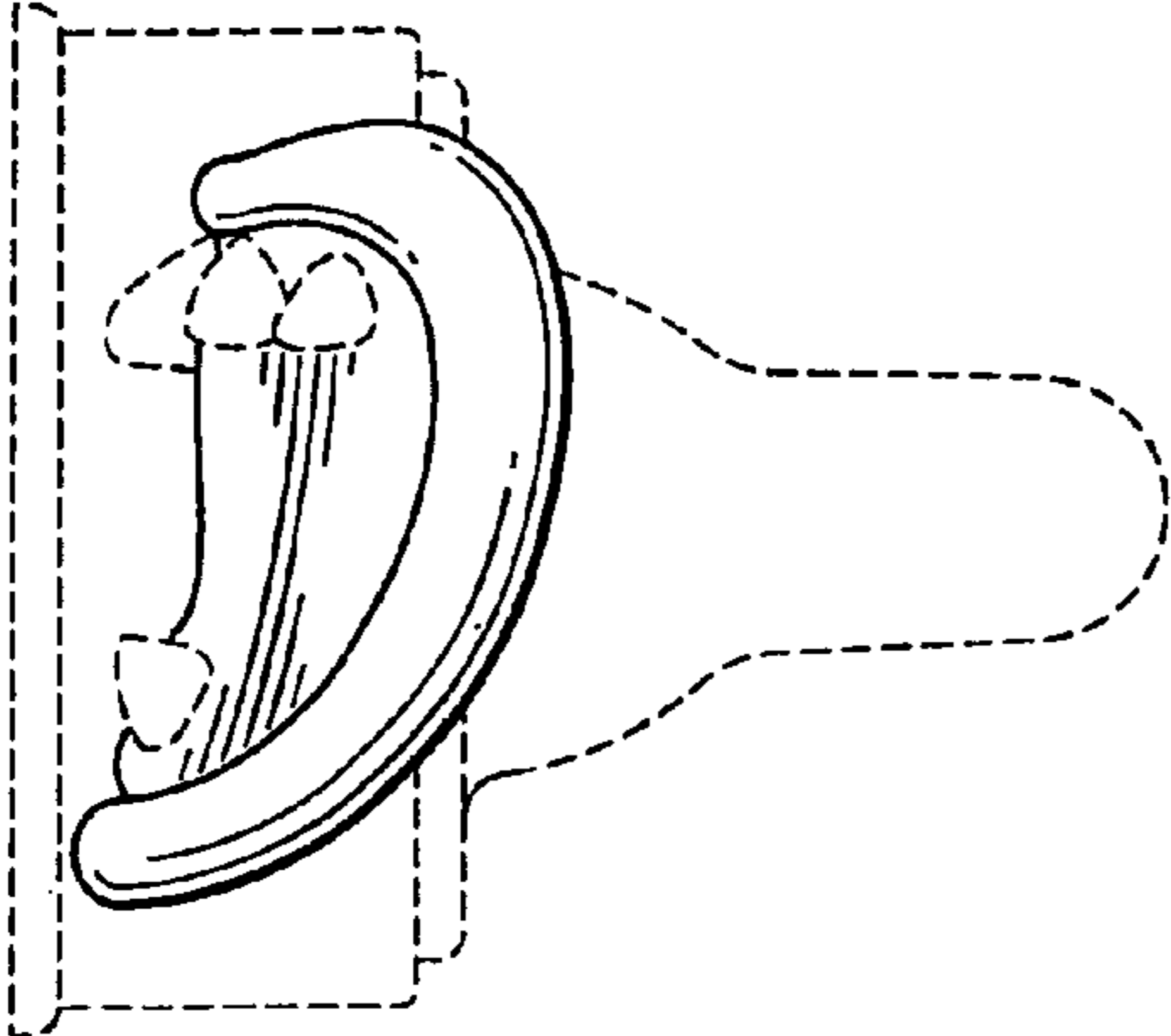


FIG. 4

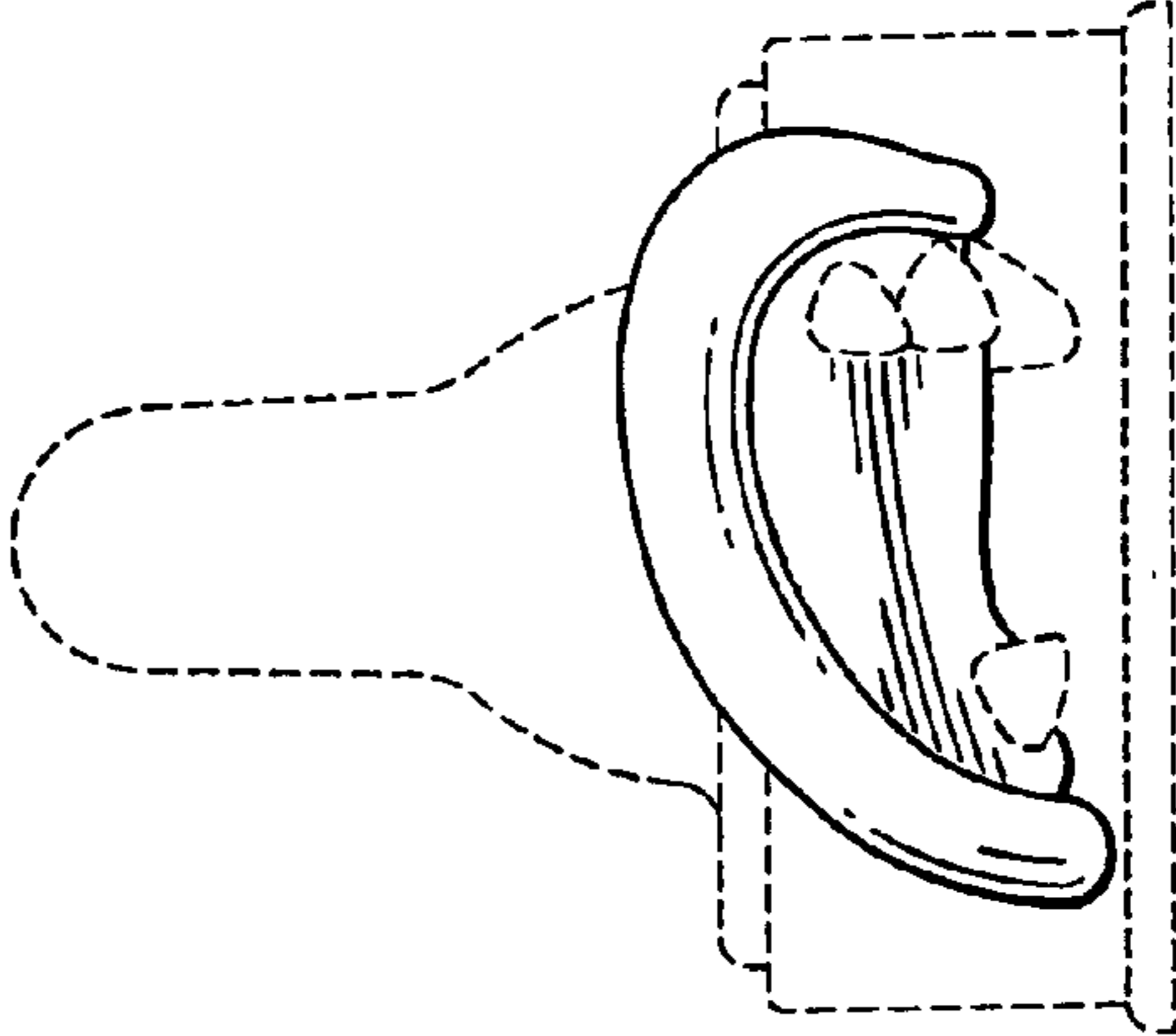


FIG. 5

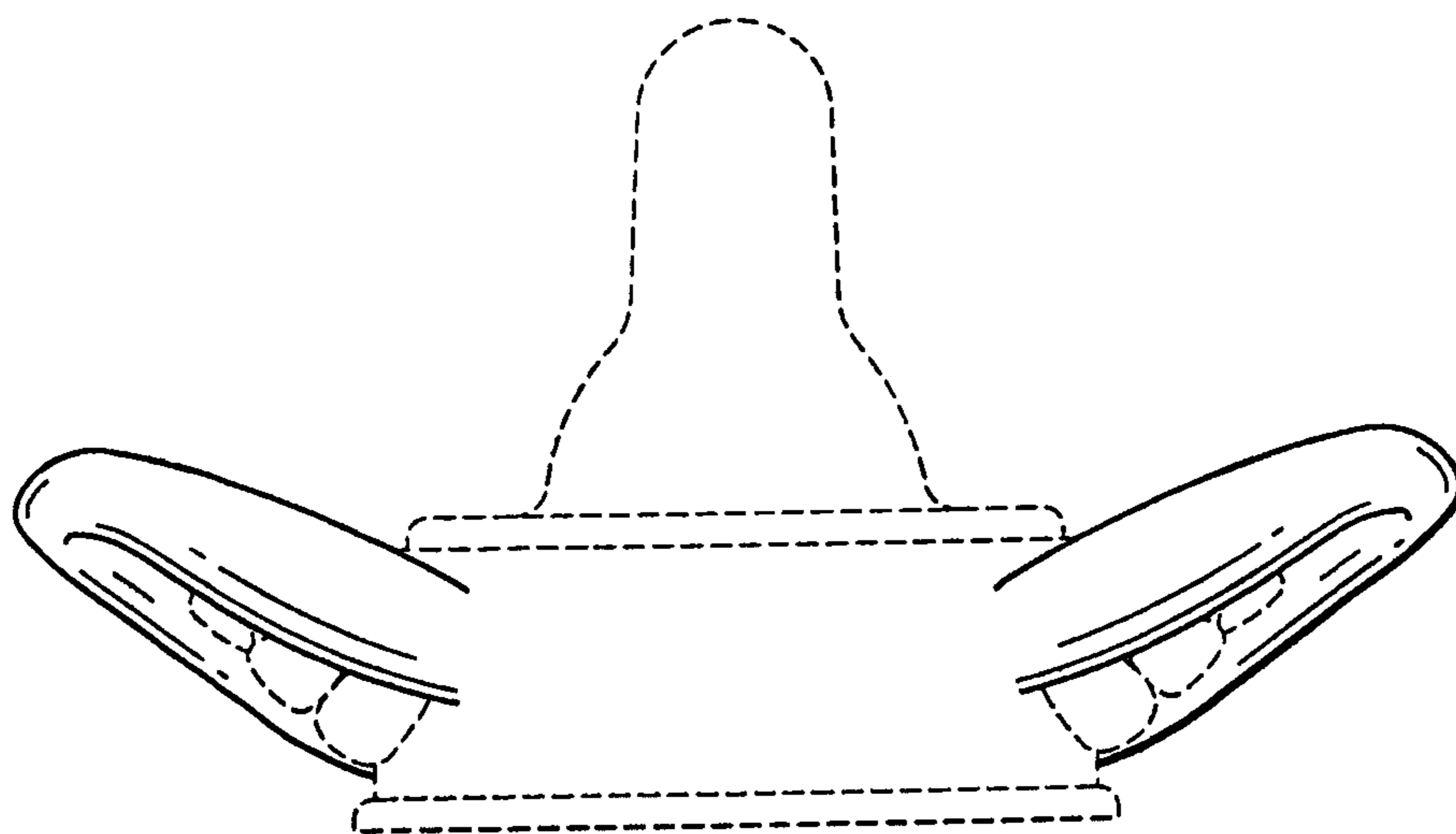


FIG. 6

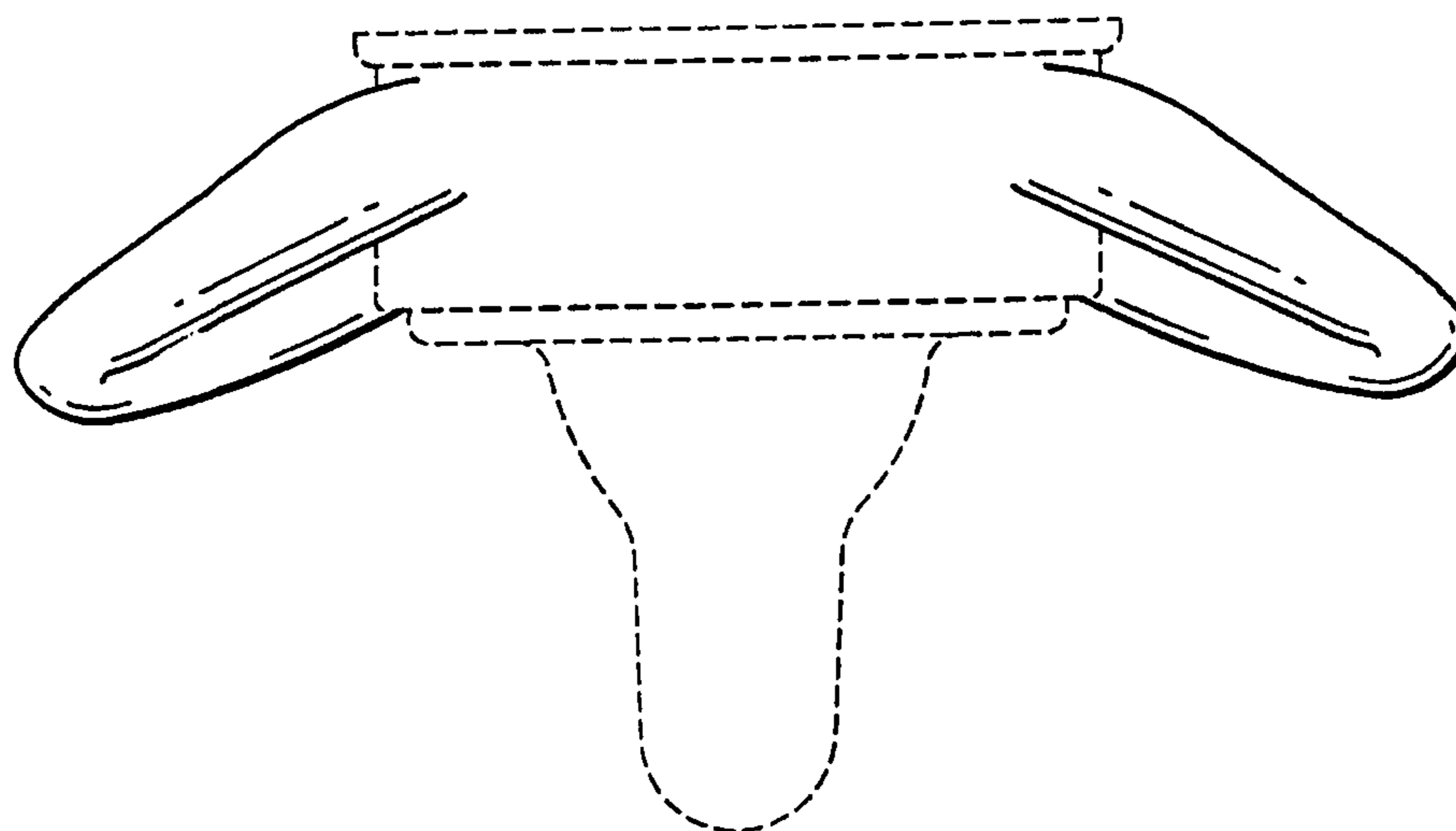


FIG. 7

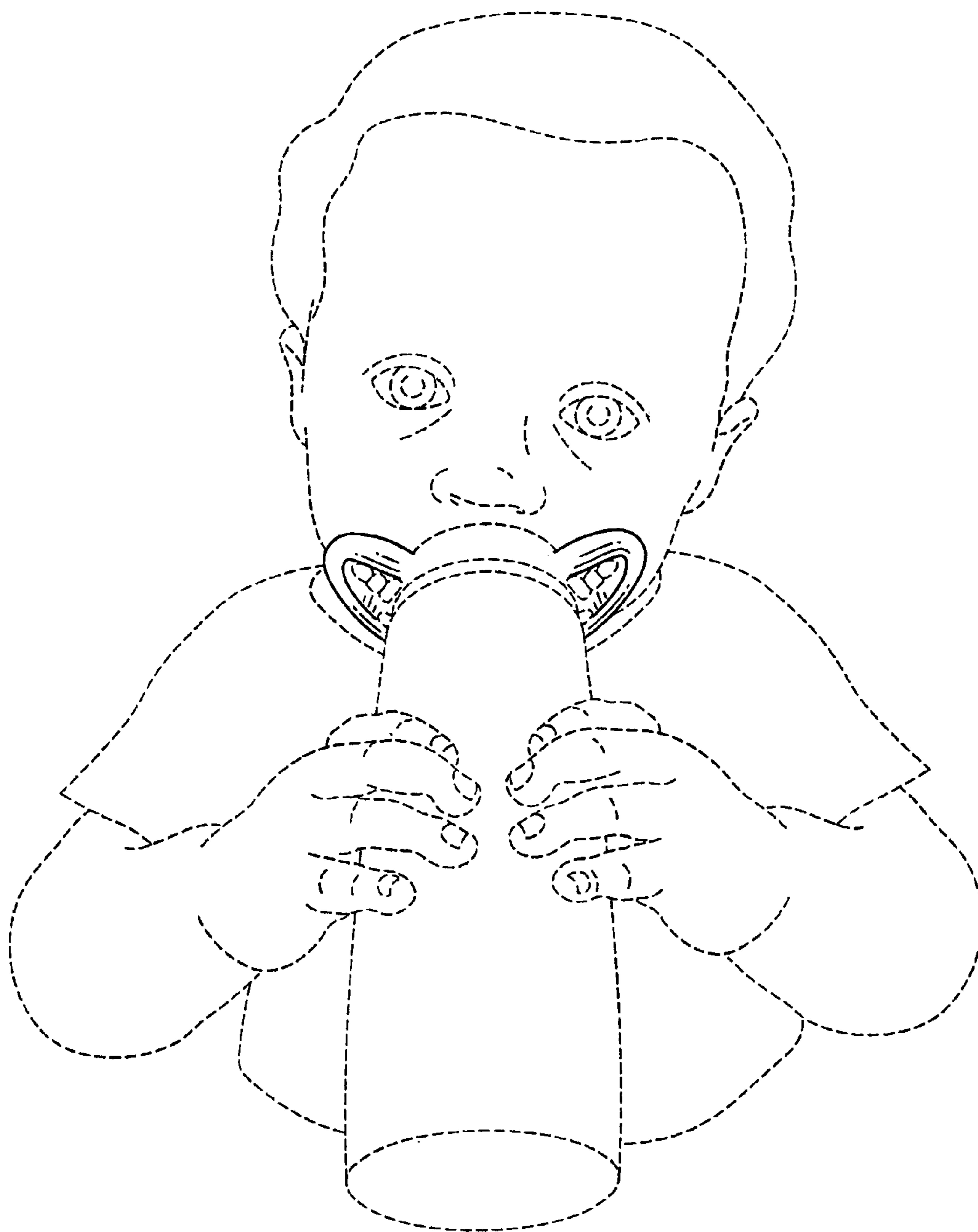


FIG. 8