



US00D719023S

(12) **United States Design Patent**
Hu et al.

(10) **Patent No.:** **US D719,023 S**
(45) **Date of Patent:** **** Dec. 9, 2014**

- (54) **CAP LID**
- (71) Applicant: **E Ink Holdings Inc.**, Hsinchu (TW)
- (72) Inventors: **Wu-Yang Hu**, Hsinchu (TW); **Li-Min Lee**, Hsinchu (TW)
- (73) Assignee: **E Ink Holdings Inc.**, Hsinchu (TW)
- (**) Term: **14 Years**
- (21) Appl. No.: **29/473,749**
- (22) Filed: **Nov. 25, 2013**
- (51) **LOC (10) Cl.** **09-07**
- (52) **U.S. Cl.**
USPC **D9/449**
- (58) **Field of Classification Search**
USPC D7/300, 321, 392.1, 396.2, 500, 507,
D7/509, 510, 511, 900; D9/434-449,
D9/452-455, 682, 685; 215/200, 235, 236,
215/252, 259, 329, 355-364; 220/200,
220/203.04-203.07, 220, 254.1, 254.4, 556,
220/703, 704, 705; D28/4, 76, 88, 89, 82,
D28/91.1

See application file for complete search history.

(56) **References Cited**

U.S. PATENT DOCUMENTS

D362,156 S	9/1995	Goto et al.	
D363,666 S	10/1995	Goto et al.	
D622,546 S *	8/2010	Bodum	D7/510
D644,060 S *	8/2011	Komeiji	D7/392.1
D647,753 S	11/2011	Lin	
D655,967 S *	3/2012	Bodum	D7/300.1
D667,263 S *	9/2012	Gilbert et al.	D7/392.1
D691,416 S *	10/2013	Eyal	D7/396.2

D696,900 S *	1/2014	George et al.	D7/392.1
D707,492 S *	6/2014	George et al.	D7/510
8,746,496 B2 *	6/2014	Gilbert et al.	220/715
D710,698 S *	8/2014	Giraud et al.	D9/449

FOREIGN PATENT DOCUMENTS

KR	30-0393021	9/2005
TW	D140090	4/2011

OTHER PUBLICATIONS

Corresponding TW Notice of Allowance that these art references were cited.

* cited by examiner

Primary Examiner — Robert M Spear
Assistant Examiner — Marissa J Cash

(74) *Attorney, Agent, or Firm* — CKC & Partners Co., Ltd.

(57) **CLAIM**

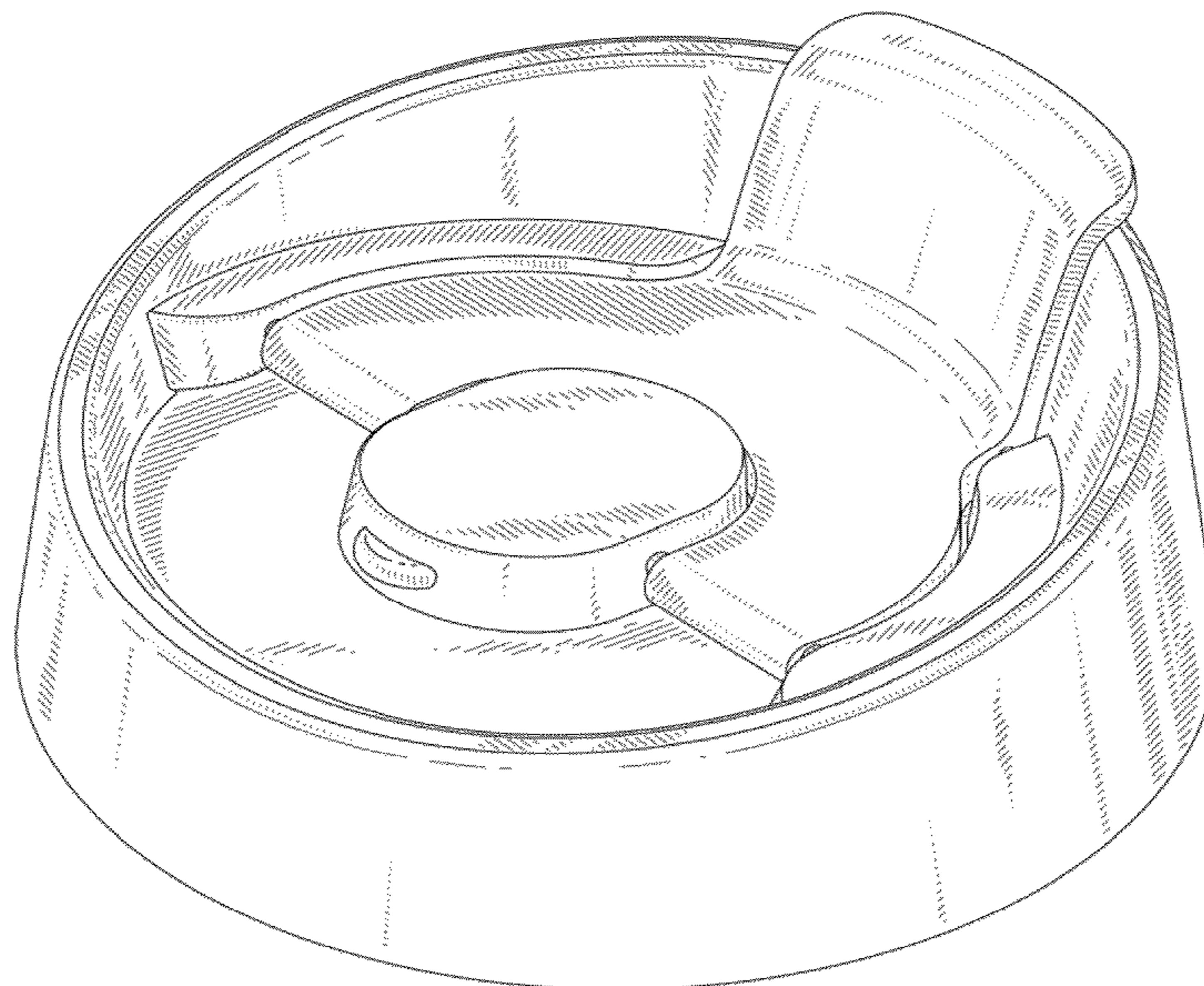
The ornamental design for a cap lid, as shown and described.

DESCRIPTION

FIG. 1 is a perspective view of a cap lid showing our new design;
 FIG. 2 is a front view thereof;
 FIG. 3 is a rear view thereof;
 FIG. 4 is a left side view thereof;
 FIG. 5 is a right side view thereof;
 FIG. 6 is a top view thereof; and,
 FIG. 7 is a bottom view thereof.

The broken lines shown represent unclaimed subject matter and form no part of the claimed design.

1 Claim, 7 Drawing Sheets



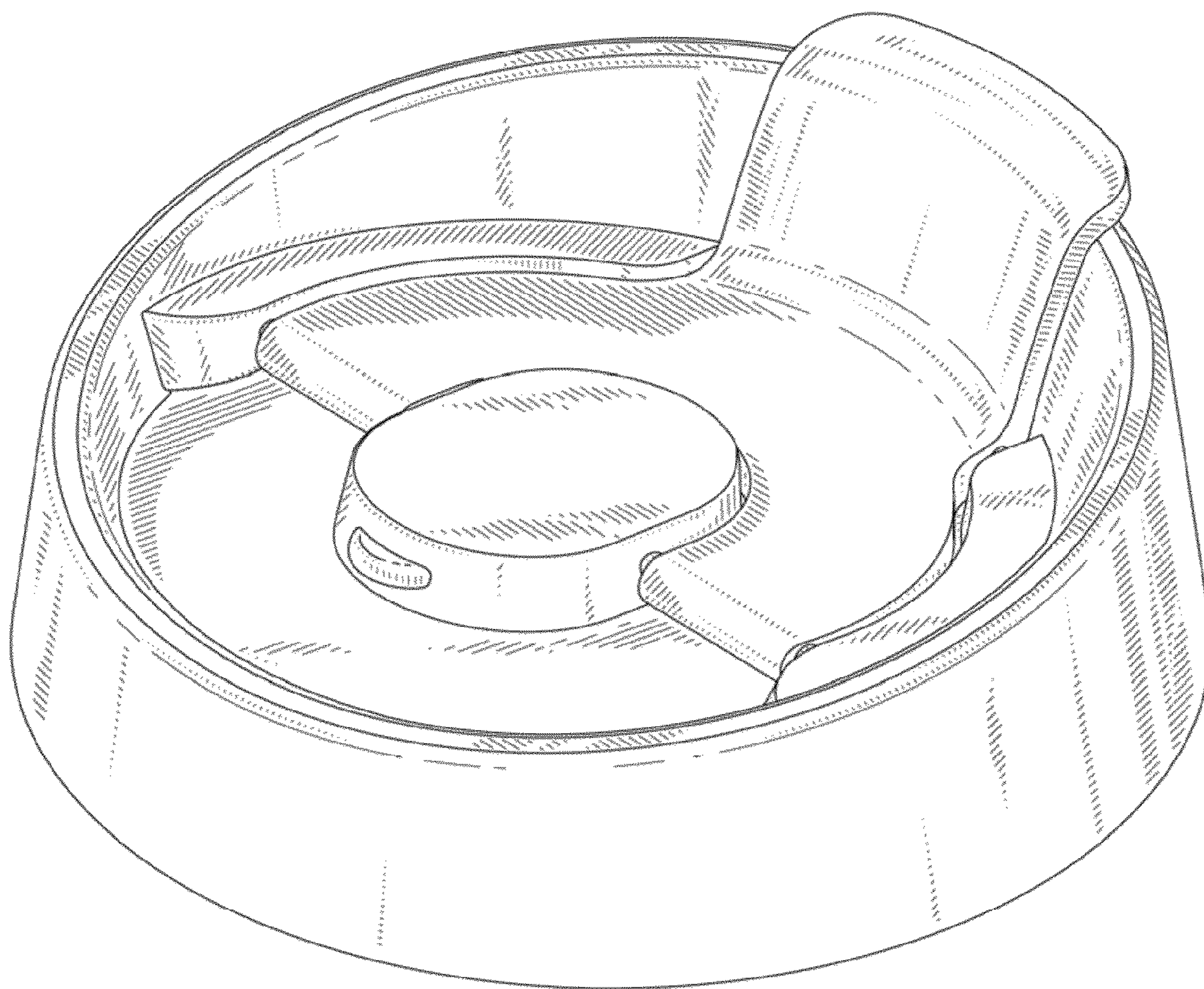


FIG. 1

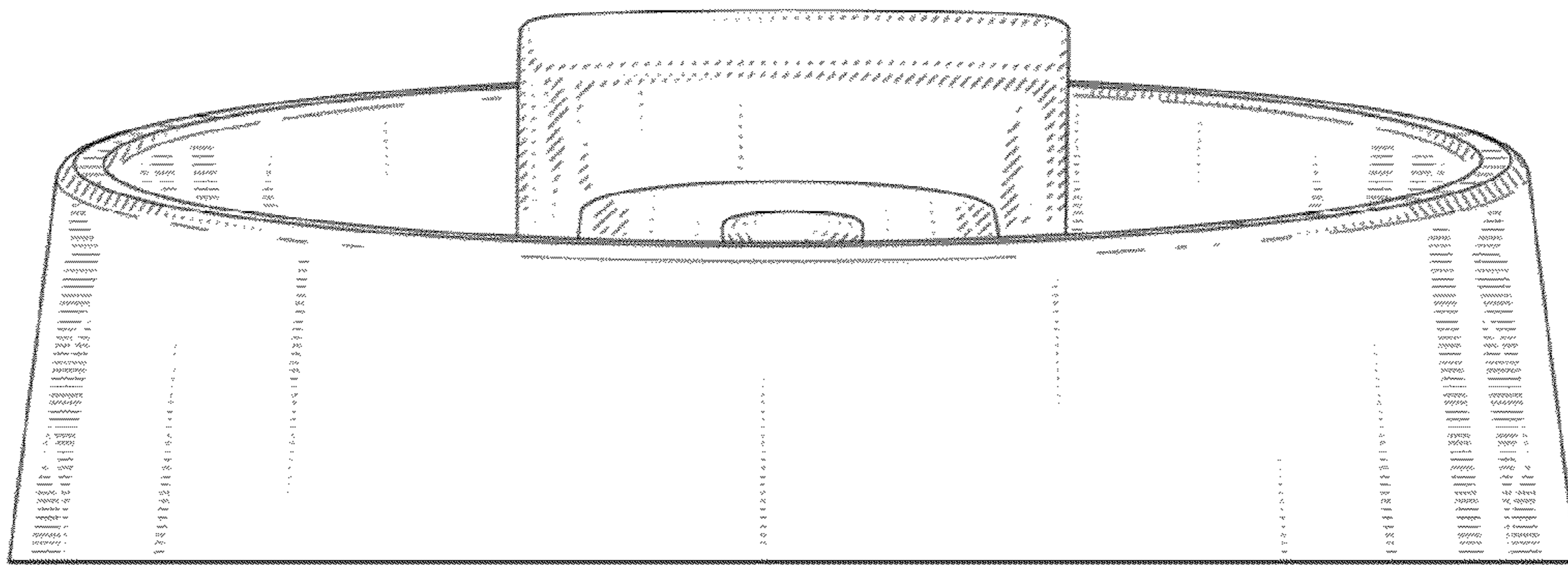


FIG. 2

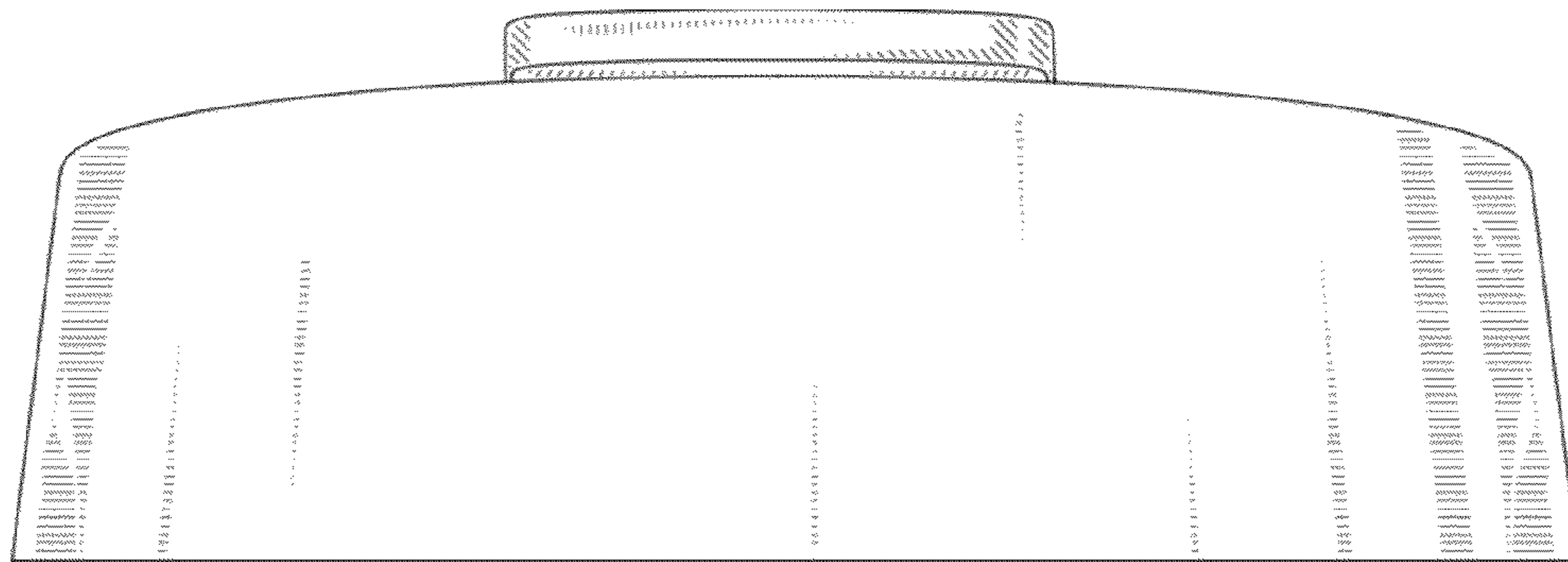


FIG. 3

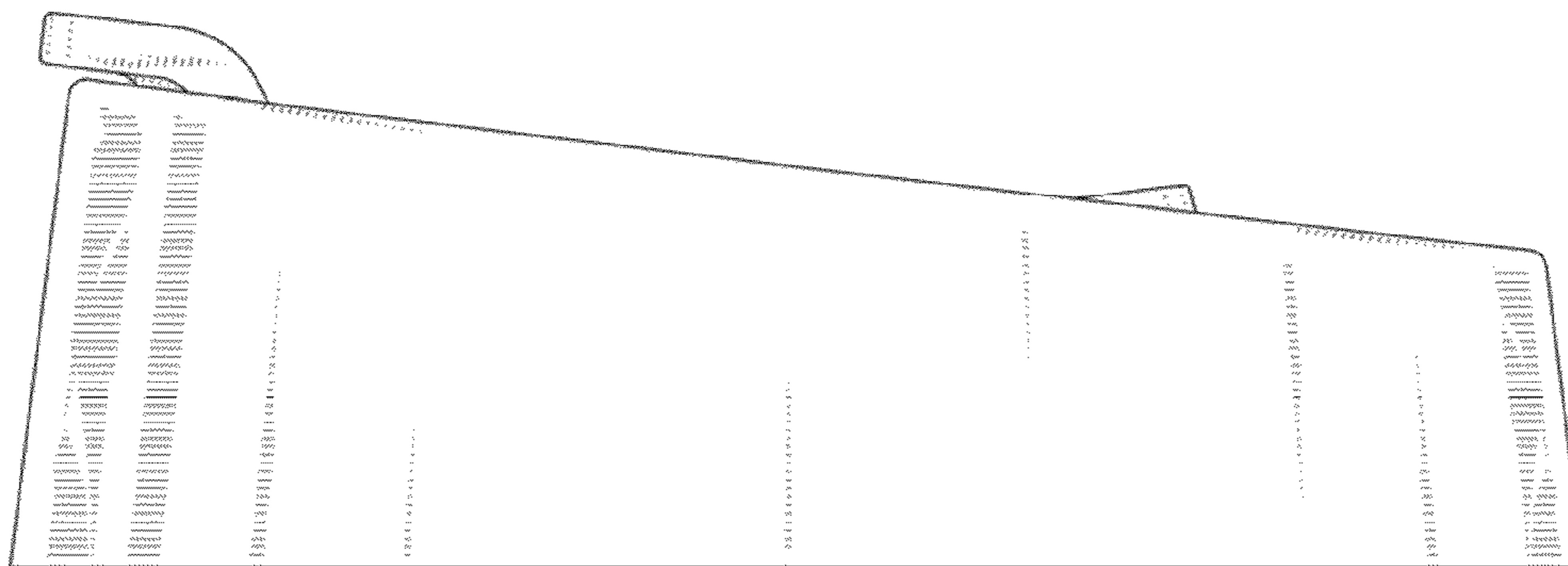


FIG. 4

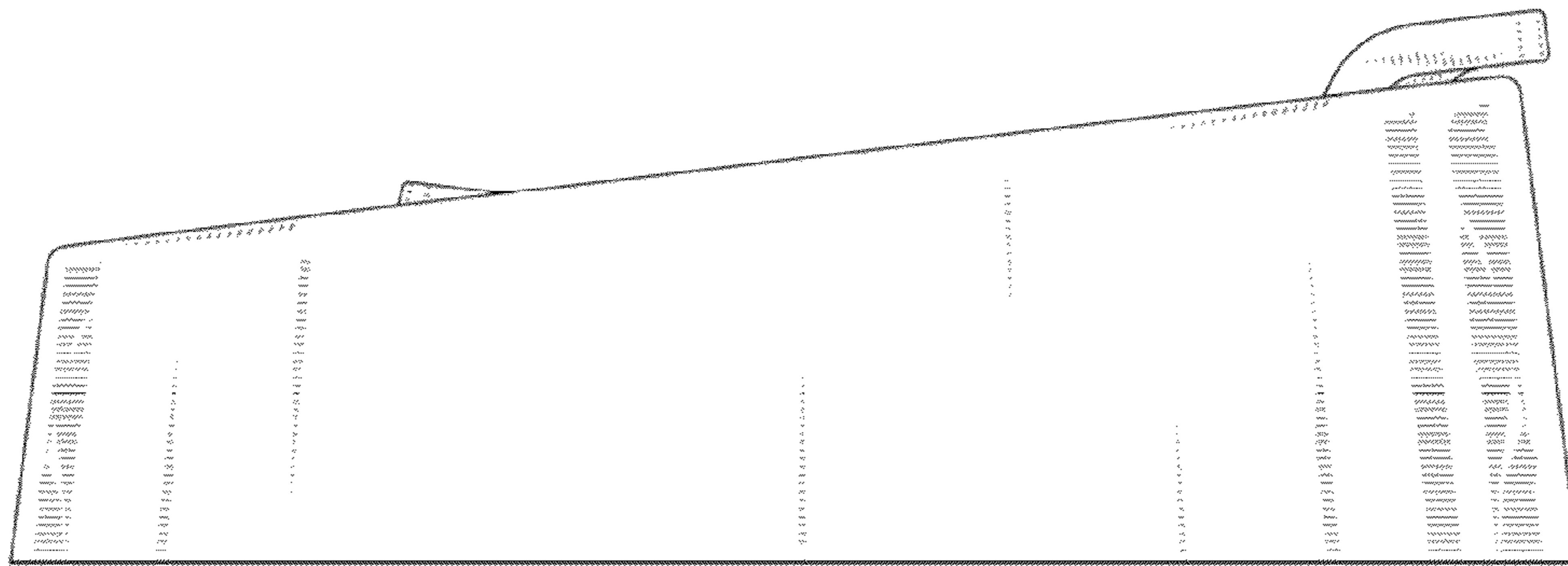


FIG. 5

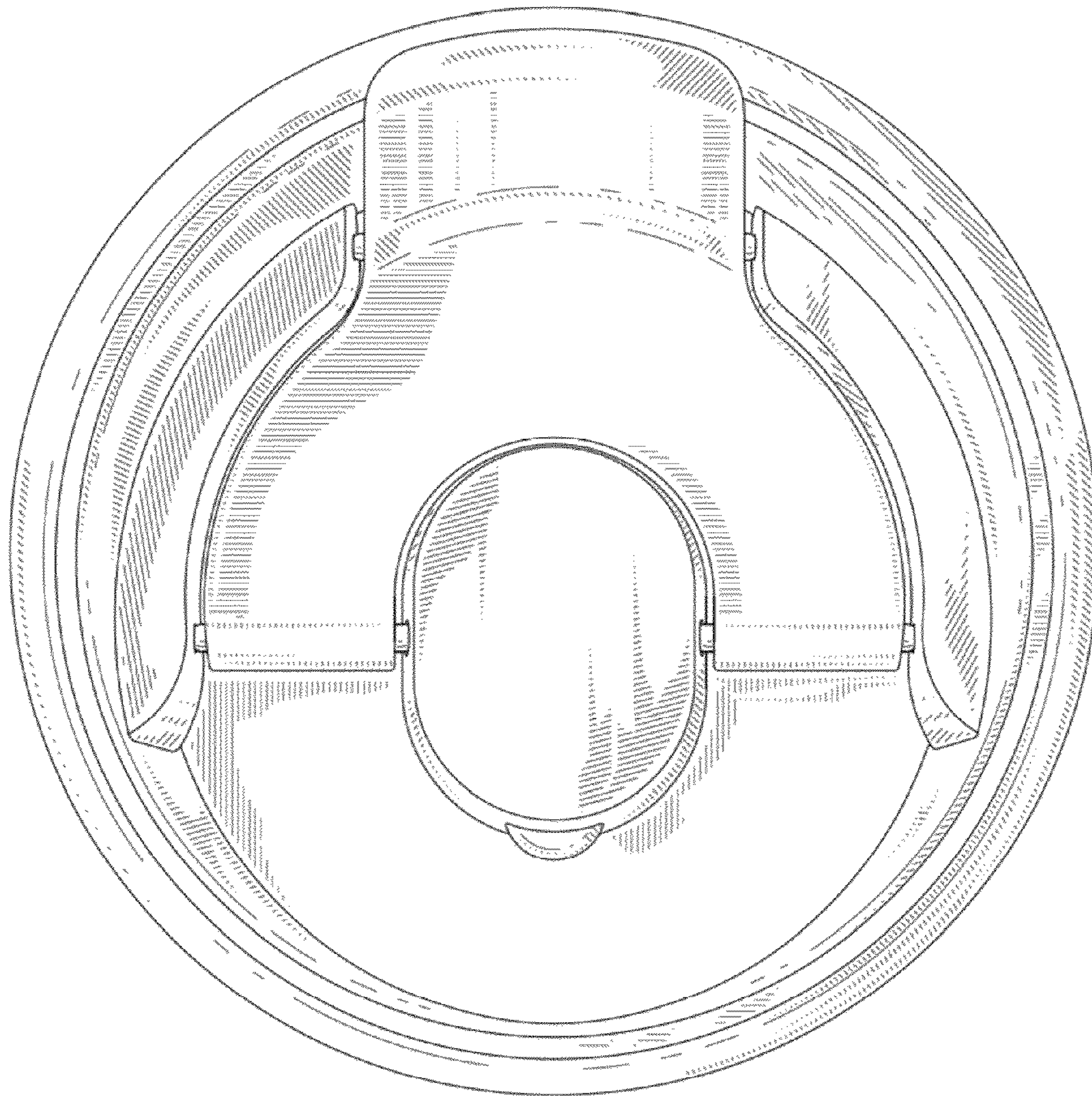


FIG. 6

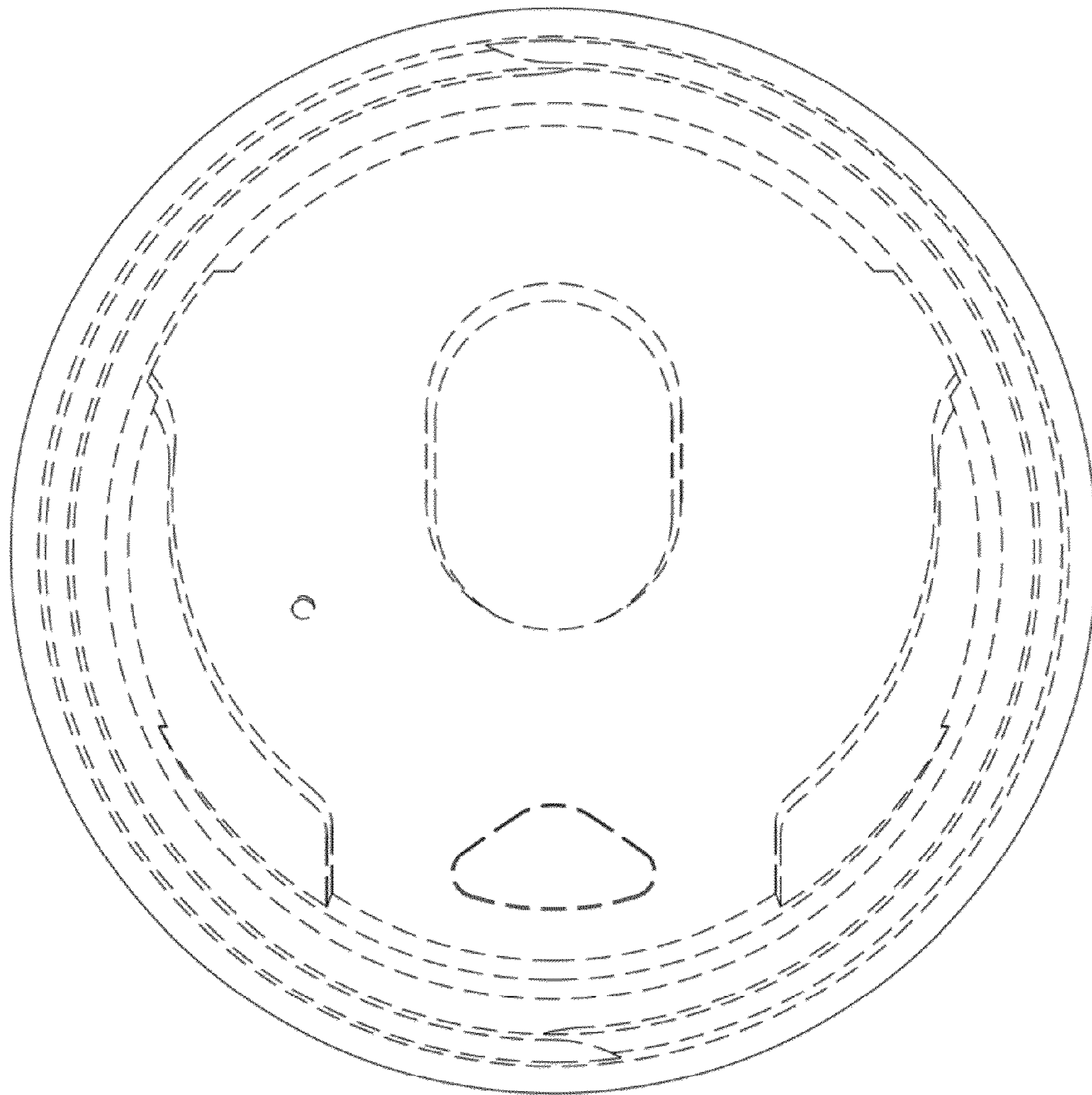


FIG. 7