



US00D719019S

(12) **United States Design Patent**
Avis

(10) **Patent No.:** **US D719,019 S**

(45) **Date of Patent:** **** Dec. 9, 2014**

(54) **SNACK TRAY**

(71) Applicant: **Frito-Lay North America, Inc.**, Plano, TX (US)

(72) Inventor: **Benjamin Adam Avis**, Little Elm, TX (US)

(73) Assignee: **Frito-Lay North America, Inc.**, Plano, TX (US)

(**) Term: **14 Years**

(21) Appl. No.: **29/480,164**

(22) Filed: **Jan. 23, 2014**

(51) **LOC (10) Cl.** **09-03**

(52) **U.S. Cl.**
USPC **D9/432**; D9/424; D9/456

(58) **Field of Classification Search**
CPC B65D 5/00; B65D 5/0015; B65D 5/0045;
B65D 5/13; B65D 5/40; B65D 5/2033;
B65D 1/22; B65D 1/225; B65D 1/24; B65D
1/34; B65D 1/38
USPC D9/414, 433, 444-445, 456, 711, 715,
D9/718, 721, 748; D7/601, 602, 538, 540,
D7/550.1; D3/203.5, 202, 207, 210;
D4/116

See application file for complete search history.

(56) **References Cited**

U.S. PATENT DOCUMENTS

D86,062 S * 1/1932 Shepard D9/424
D296,191 S * 6/1988 Yoshida et al. D9/425

D394,587 S * 5/1998 Taylor et al. D7/545
D548,069 S * 8/2007 Sagel et al. D9/425
D566,542 S * 4/2008 Gedanke et al. D9/418
D569,242 S * 5/2008 Flamand D9/420
D569,721 S * 5/2008 Gedanke D9/425
D608,015 S * 1/2010 Sandel D24/227
D637,483 S * 5/2011 Snedden et al. D9/425
D662,813 S * 7/2012 Czarny et al. D9/425
D698,644 S * 2/2014 Teopas D9/425
D702,127 S * 4/2014 Lai D9/456
D704,048 S * 5/2014 Whalen et al. D9/415

* cited by examiner

Primary Examiner — Susan Bennett Hattan

Assistant Examiner — Vy Koenig

(74) *Attorney, Agent, or Firm* — Colin P. Cahoon; Carstens & Cahoon, LLP

(57) **CLAIM**

The ornamental design for a snack tray, as shown and described.

DESCRIPTION

FIG. 1 is a top perspective view of the snack tray showing our new design;

FIG. 2 is a left side elevation view thereof;

FIG. 3 is a right side elevation view thereof;

FIG. 4 is a front elevation view thereof;

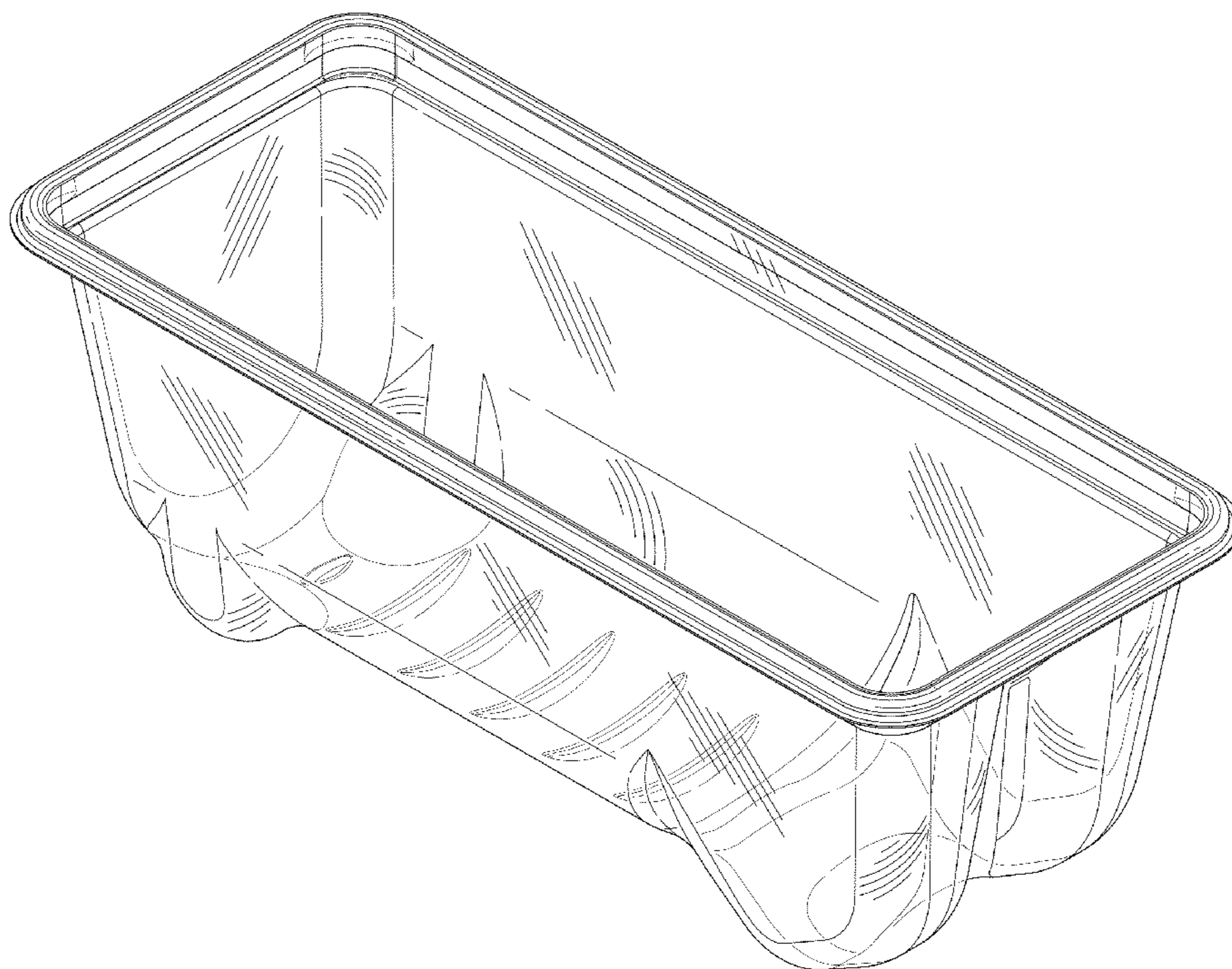
FIG. 5 is a back elevation view thereof;

FIG. 6 is a top elevation view thereof;

FIG. 7 is a bottom elevation view thereof; and,

FIG. 8 is a bottom perspective view thereof.

1 Claim, 7 Drawing Sheets



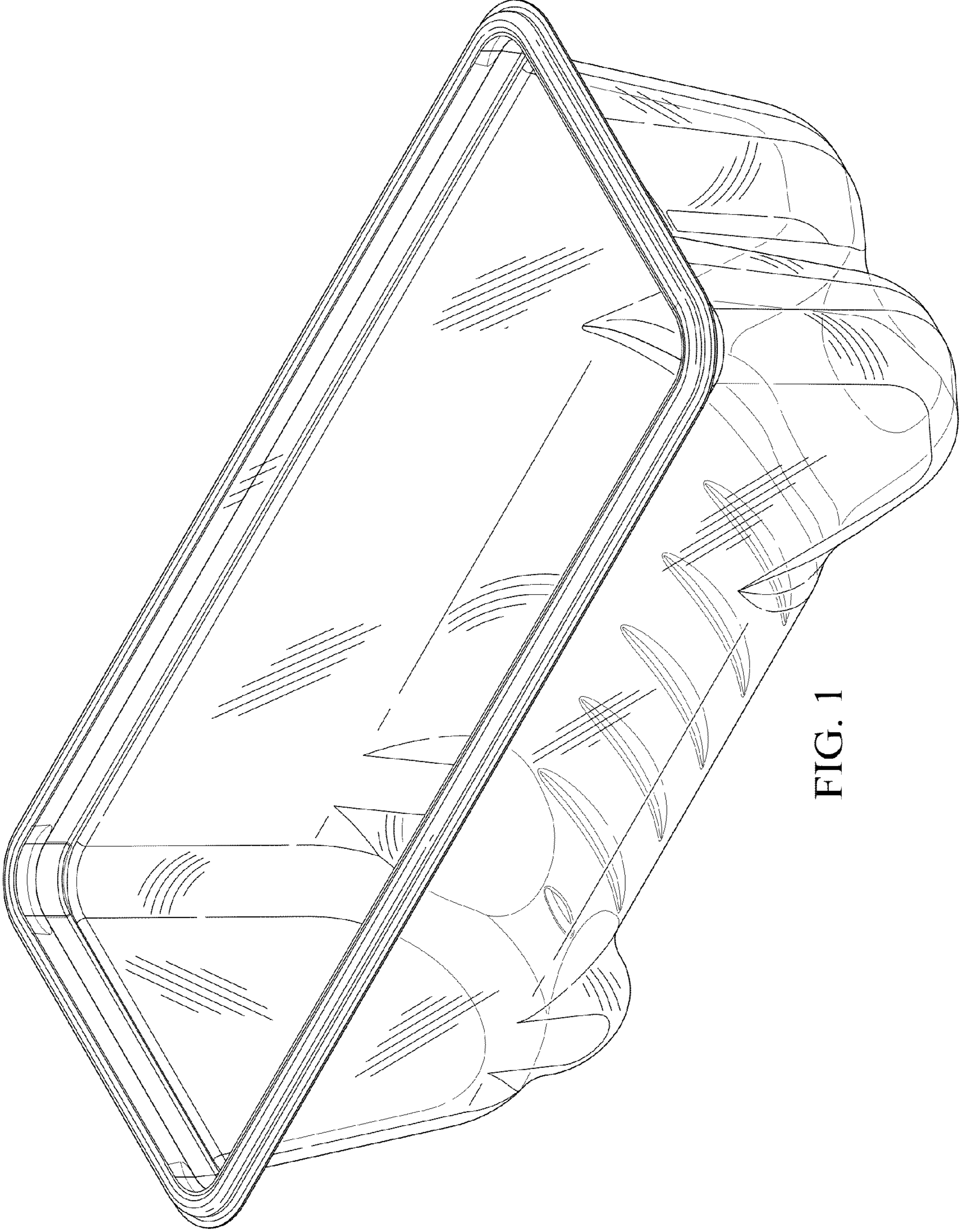


FIG. 1

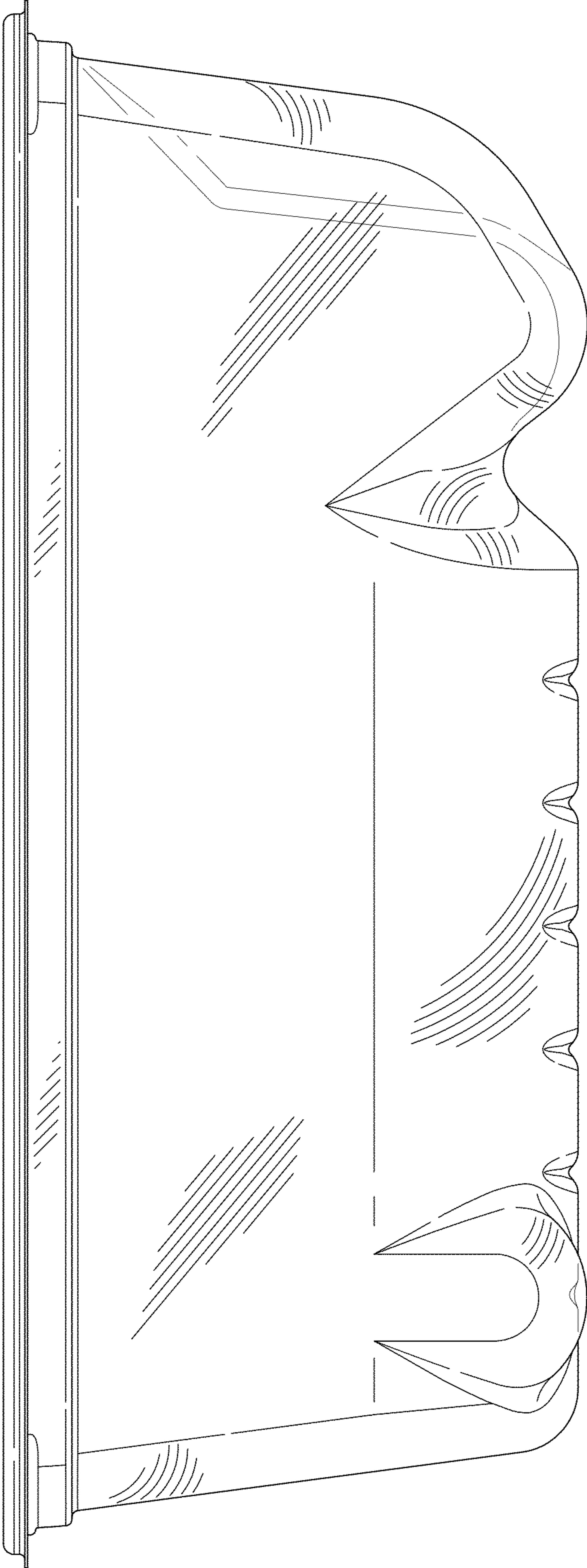


FIG. 2

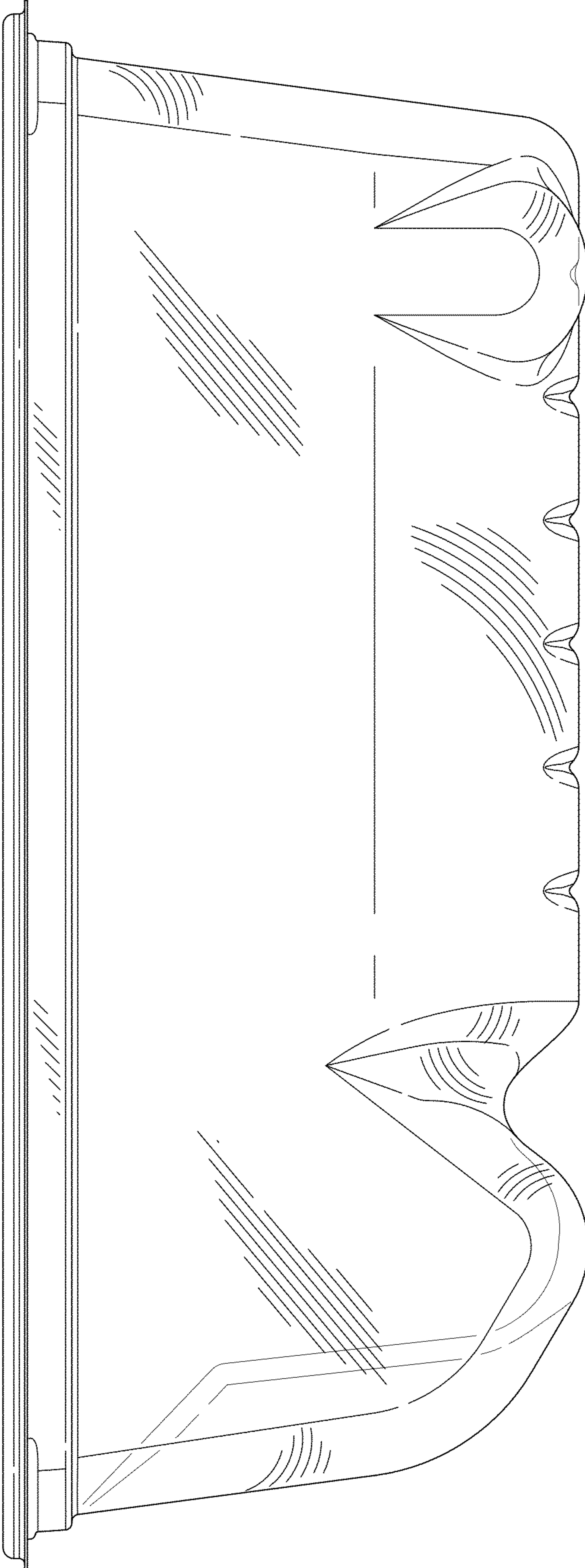


FIG. 3

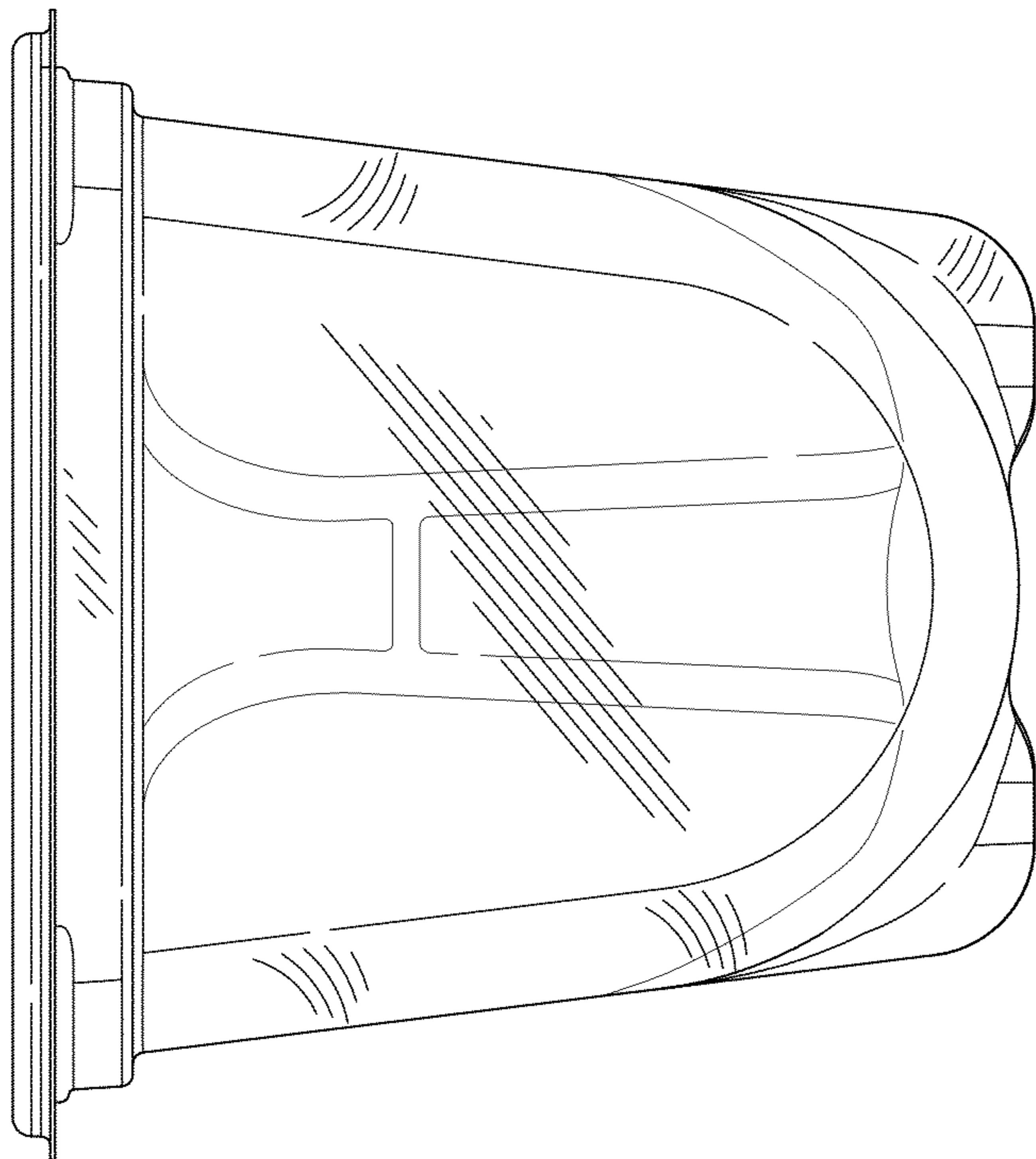


FIG. 5

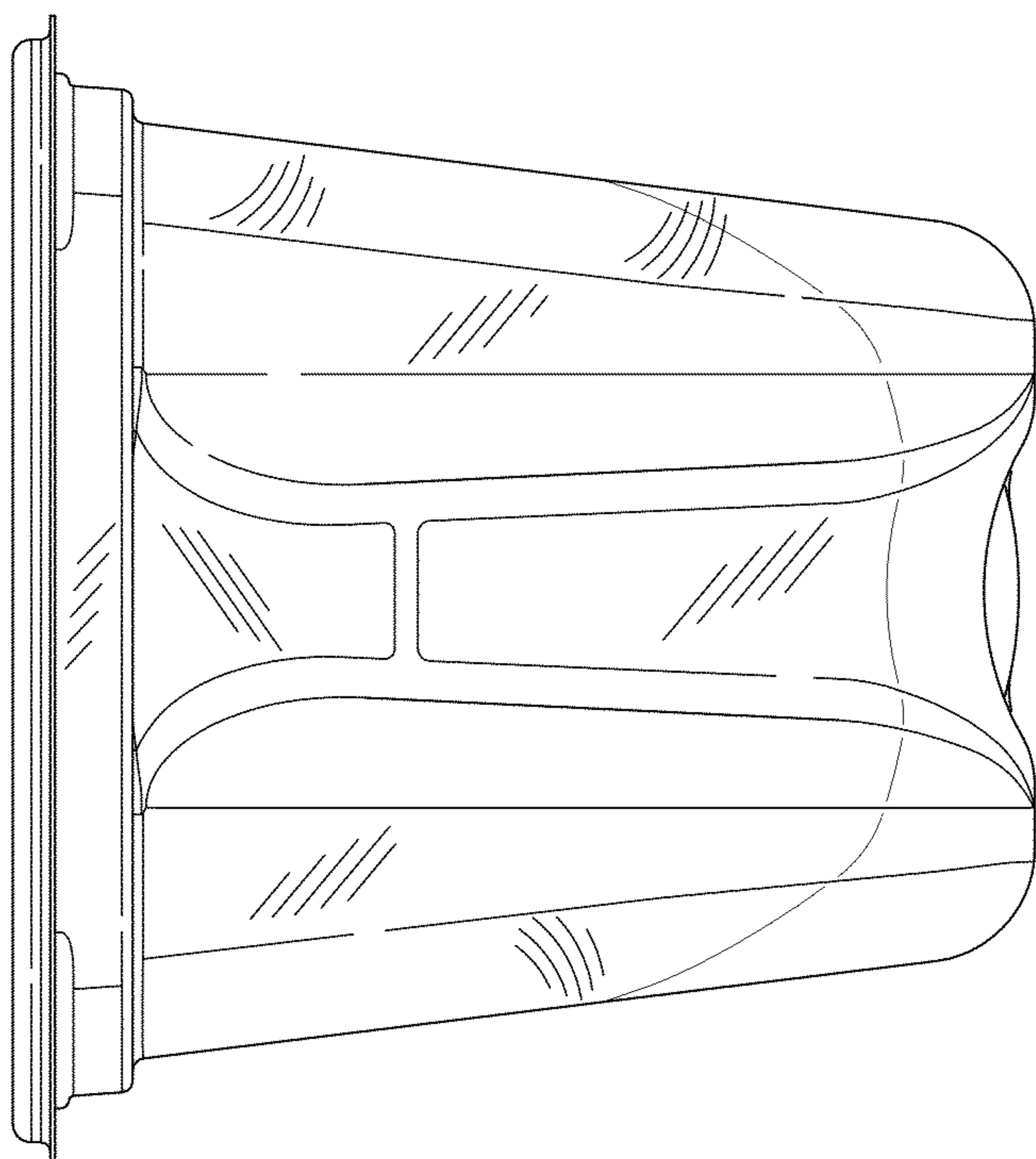


FIG. 4

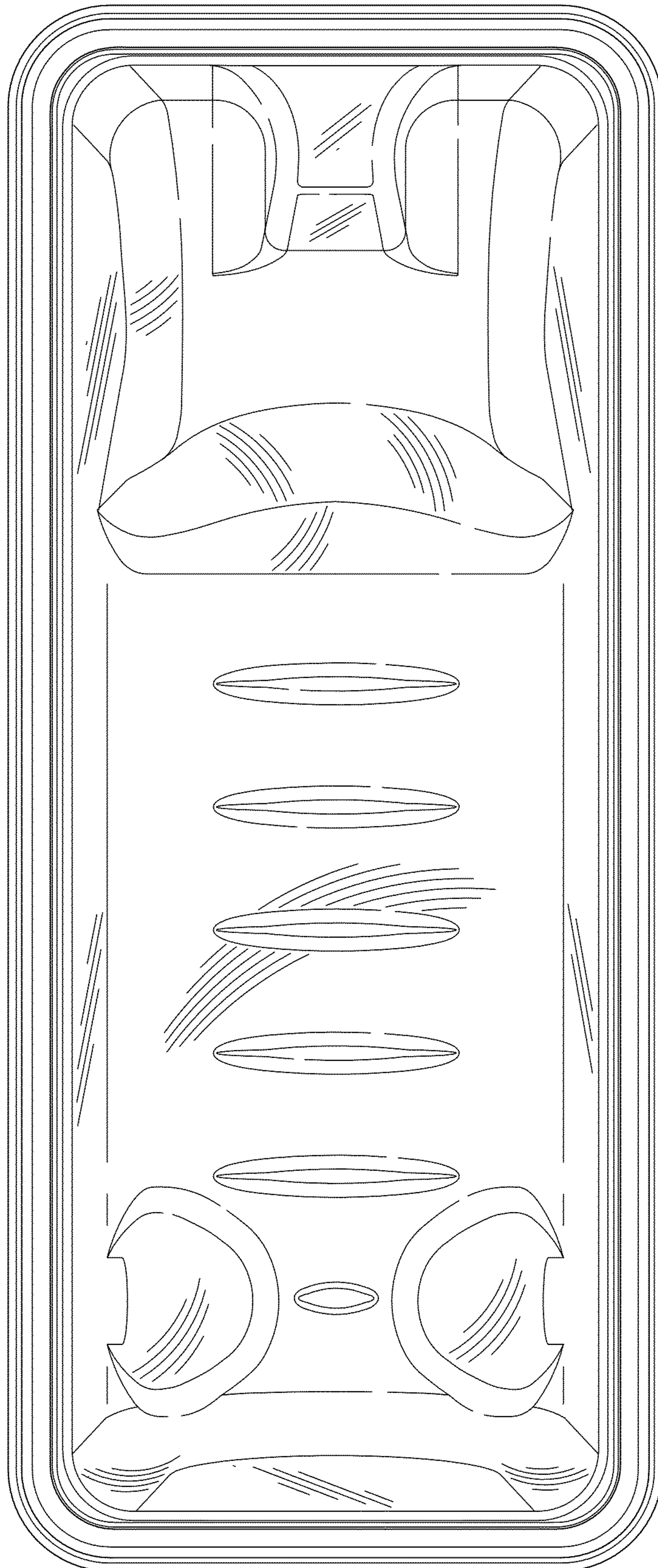


FIG. 6

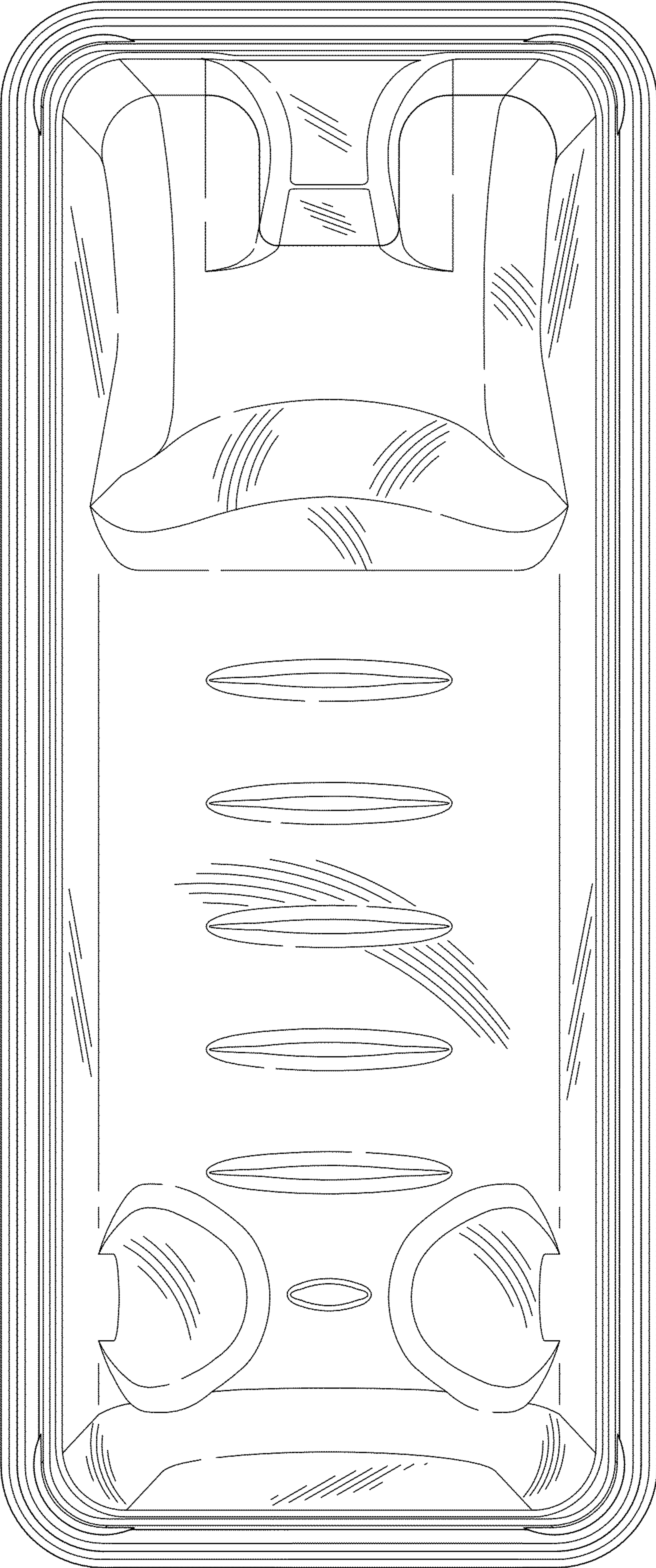


FIG. 7

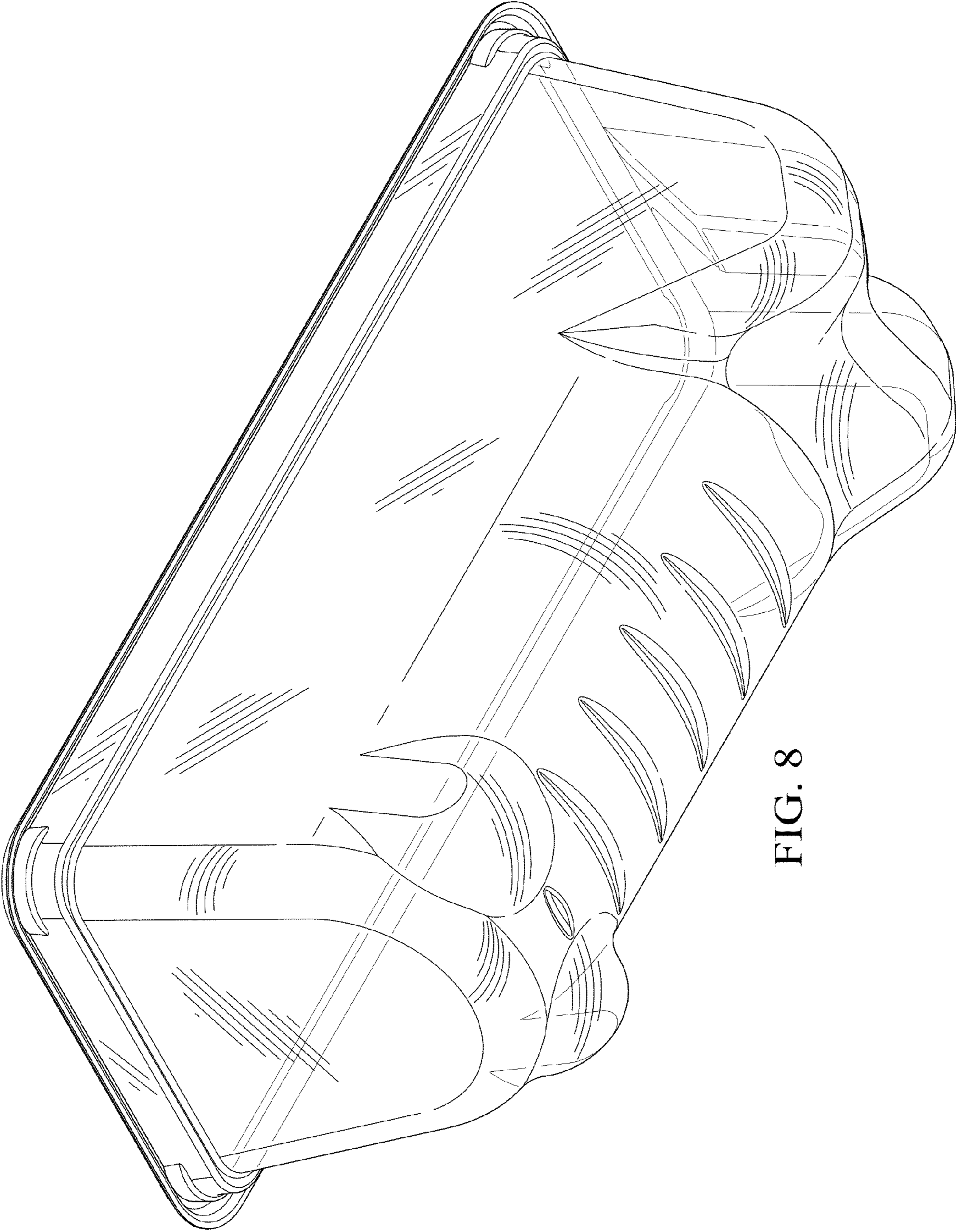


FIG. 8