



US00D719018S

(12) **United States Design Patent**
Levy et al.

(10) **Patent No.:** **US D719,018 S**
(45) **Date of Patent:** **** Dec. 9, 2014**

(54) **BOX FOR DISPENSING AND HOLDING
PACKS OF PLAYING CARDS**

(71) Applicant: **Navajo Manufacturing Co., Inc.**,
Denver, CO (US)

(72) Inventors: **Gordon Levy**, Golden, CO (US);
Yenlun Lai, Denver, CO (US)

(73) Assignee: **Navajo Manufacturing Company, Inc.**,
Denver, CO (US)

(**) Term: **14 Years**

(21) Appl. No.: **29/465,394**

(22) Filed: **Aug. 27, 2013**

(51) **LOC (10) Cl.** **09-03**

(52) **U.S. Cl.**
USPC **D9/432; D9/416; D9/433; D9/415**

(58) **Field of Classification Search**
CPC B29L 2031/7162; B29L 2031/7164;
B29L 2031/7166; B65D 1/22; B65D 1/34;
B65D 5/00; B65D 5/002; B65D 5/0025;
B65D 5/067-5/069; B65D 5/20; B65D 5/24;
B65D 5/42; B65D 5/46; B65D 5/64; B65D
5/72; B65D 5/74; B65D 21/00; B65D 43/162;
B65D 81/02; B65D 81/3813; B65D 71/12;
B65D 71/40; B65D 71/46
USPC D9/415-419, 420-425, 428, 429-435,
D9/444, 455-457; D19/1-3, 9-11, 86;
D7/538-542, 601, 602; D20/22, 42, 43
See application file for complete search history.

(56) **References Cited**

U.S. PATENT DOCUMENTS

2,339,156 A * 1/1944 Davis 229/117.33
D263,204 S * 3/1982 Dutcher D9/433
D284,552 S * 7/1986 Weaver D9/433

D309,107 S * 7/1990 Winterling D9/433
5,284,293 A * 2/1994 Alpern et al. 229/122.1
5,690,230 A * 11/1997 Griffith 206/555
D436,859 S * 1/2001 Botsford et al. D9/416
D548,583 S * 8/2007 Carmichael et al. D9/416
D629,296 S * 12/2010 De Muynck D9/433
D654,726 S * 2/2012 Nealon et al. D6/466
8,408,392 B2 * 4/2013 Harrelson 206/427
D691,883 S * 10/2013 Thomason D9/432
8,646,654 B2 * 2/2014 Miller 221/305

* cited by examiner

Primary Examiner — Susan Bennett Hattan

Assistant Examiner — Vy Koenig

(74) *Attorney, Agent, or Firm* — Studebaker & Brackett PC

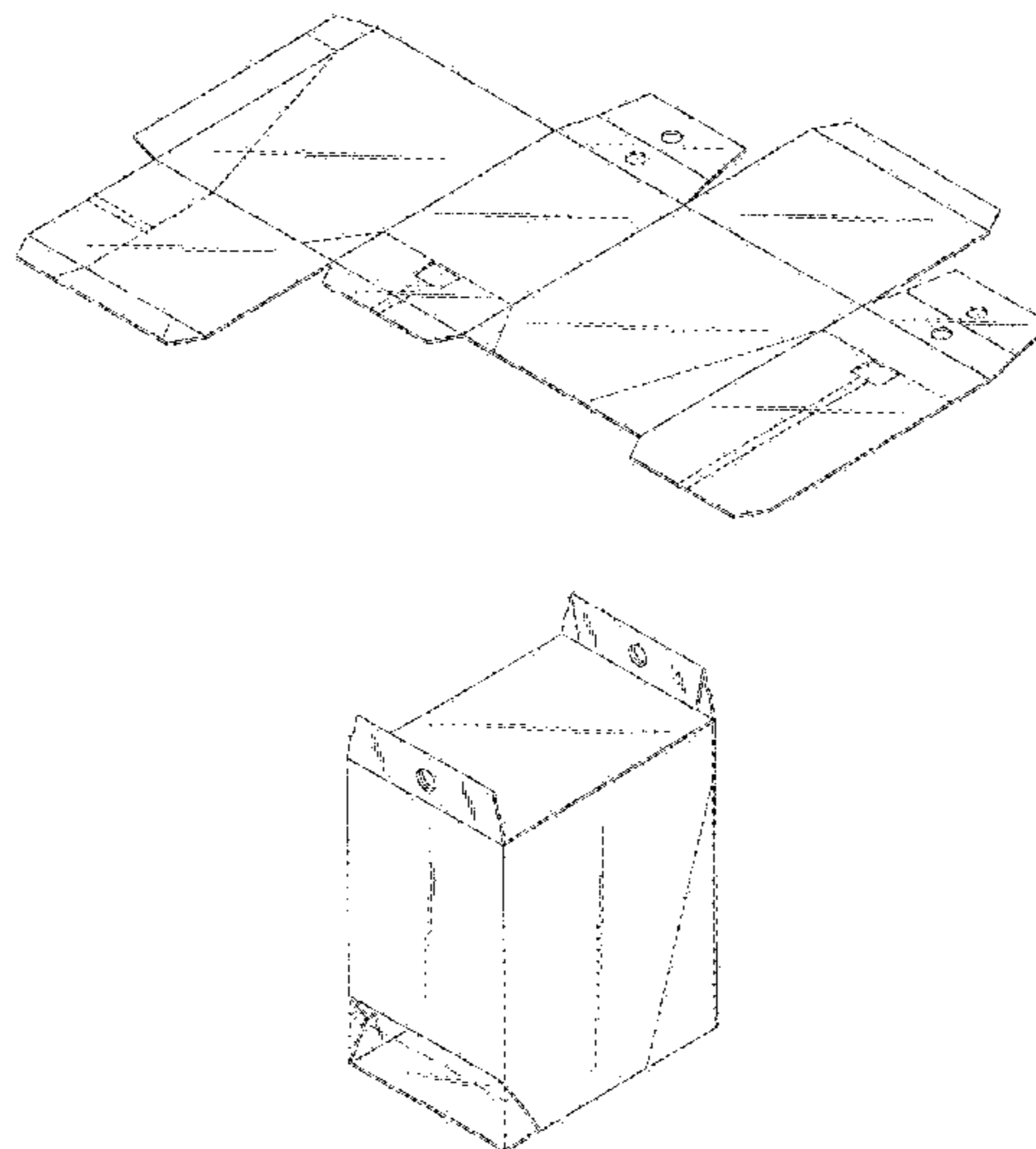
(57) **CLAIM**

The ornamental design for a box for dispensing and holding packs of playing cards, as shown and described.

DESCRIPTION

FIG. 1 is a perspective view showing our new design for a box for dispensing and holding packs of playing cards in the flat blank configuration;
FIG. 2 is a front view thereof;
FIG. 3 is a left side view thereof,
FIG. 4 is a right side view thereof,
FIG. 5 is a top view thereof, and
FIG. 6 is a bottom view thereof,
FIG. 7 is a perspective view showing the assembled box in one configuration of use;
FIG. 8 is a perspective view of the assembled box in an alternate configuration of use; and,
FIG. 9 is a perspective view of the assembled box in a third configuration of use.
The uniformly dashed lines in FIGS. 1, 2, 7, 8 and 9 depict fold lines and form part of the claim. The dash and dotted lines in FIGS. 7-9 depict packs of playing cards that are environmental subject matter and form no part of the claimed design.

1 Claim, 7 Drawing Sheets



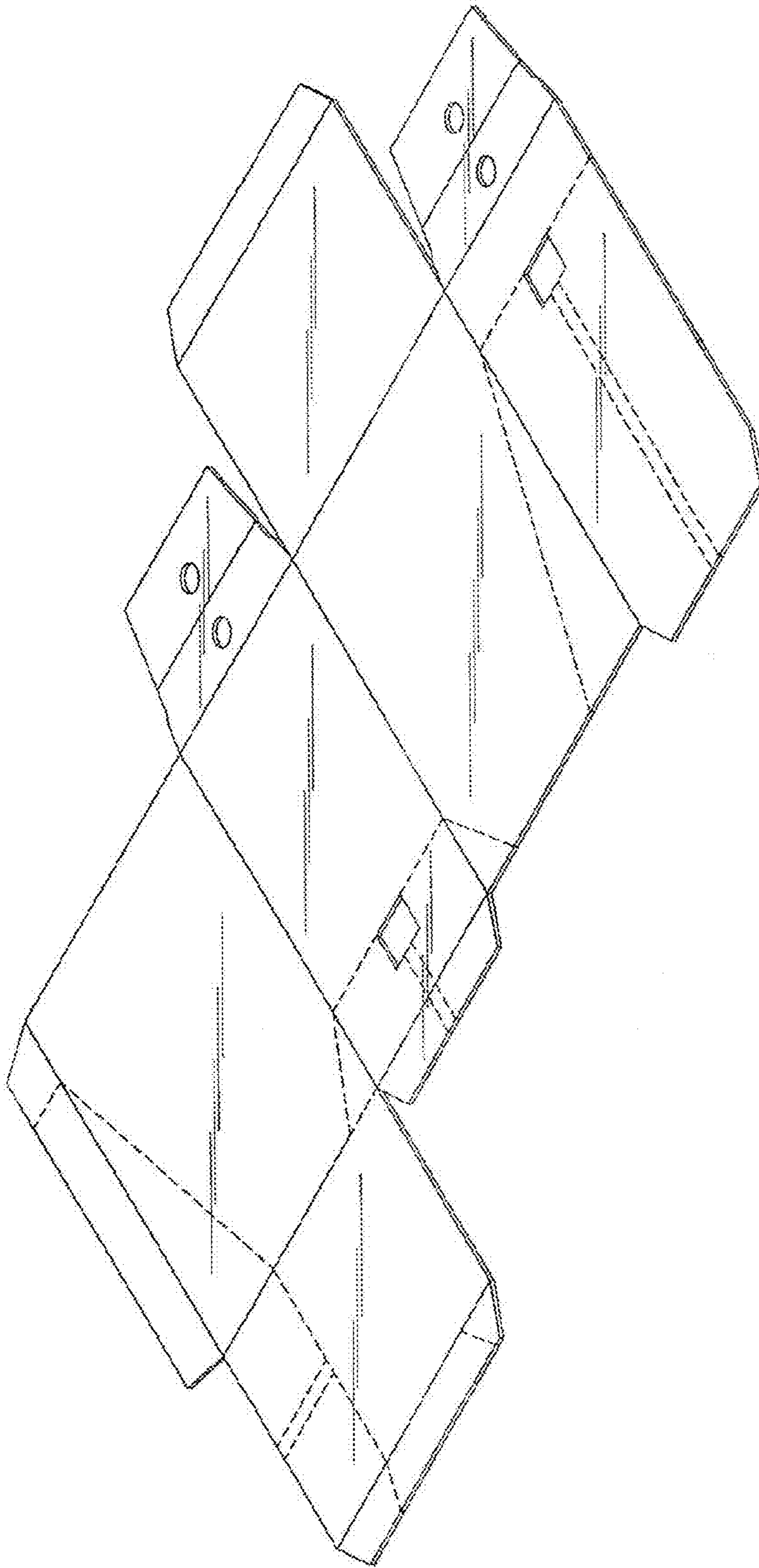


FIG. 1

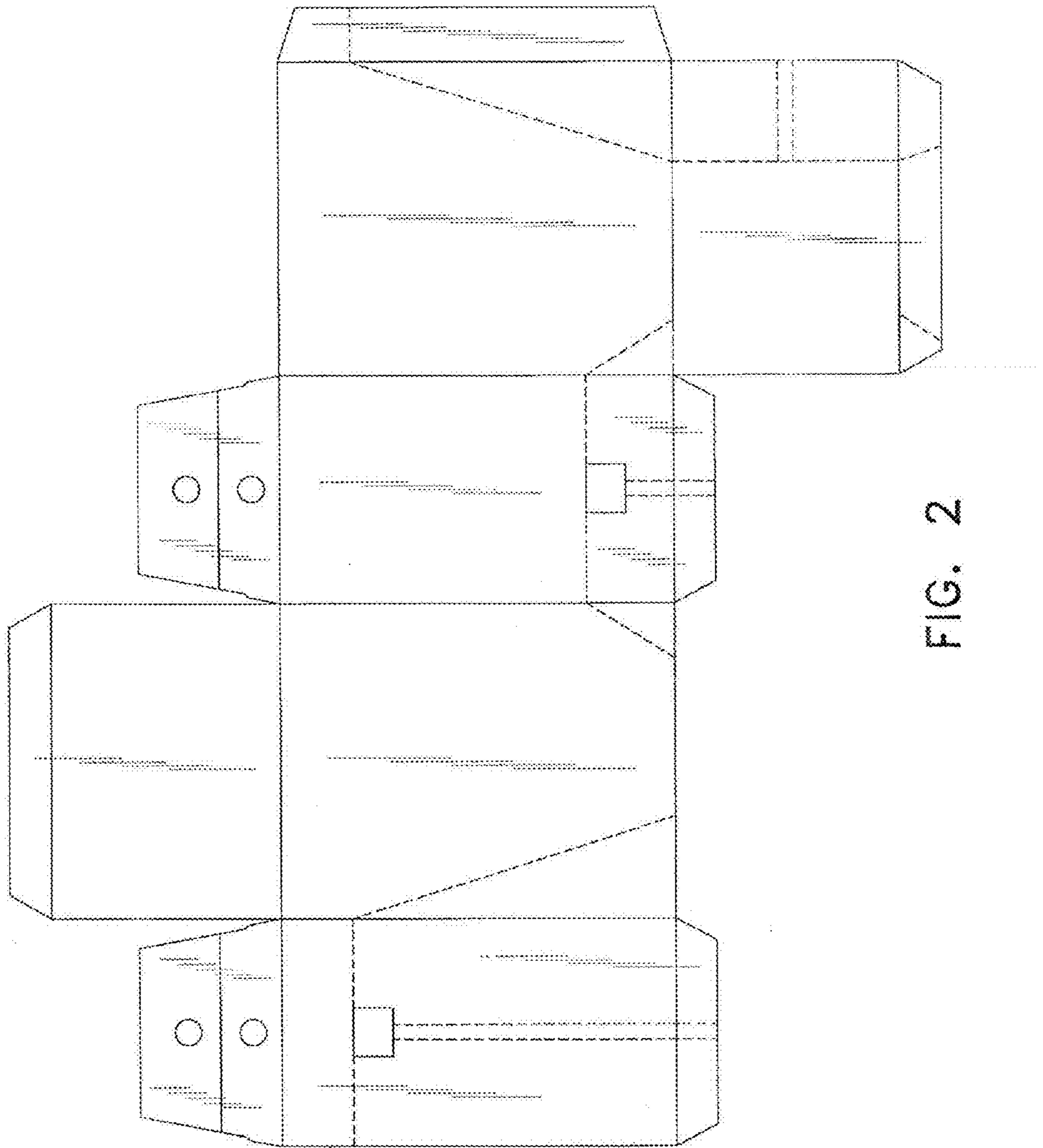


FIG. 2

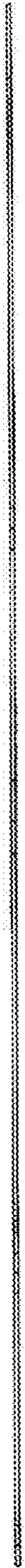


FIG. 3

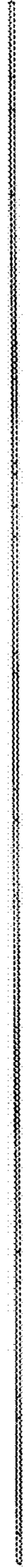


FIG. 4

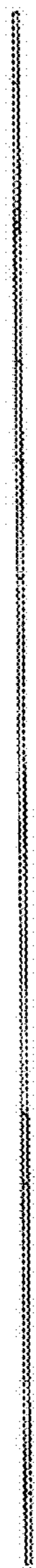


FIG. 5

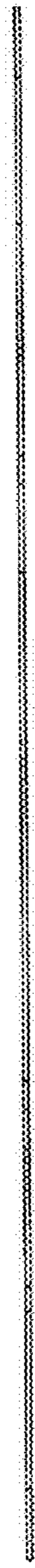


FIG. 6

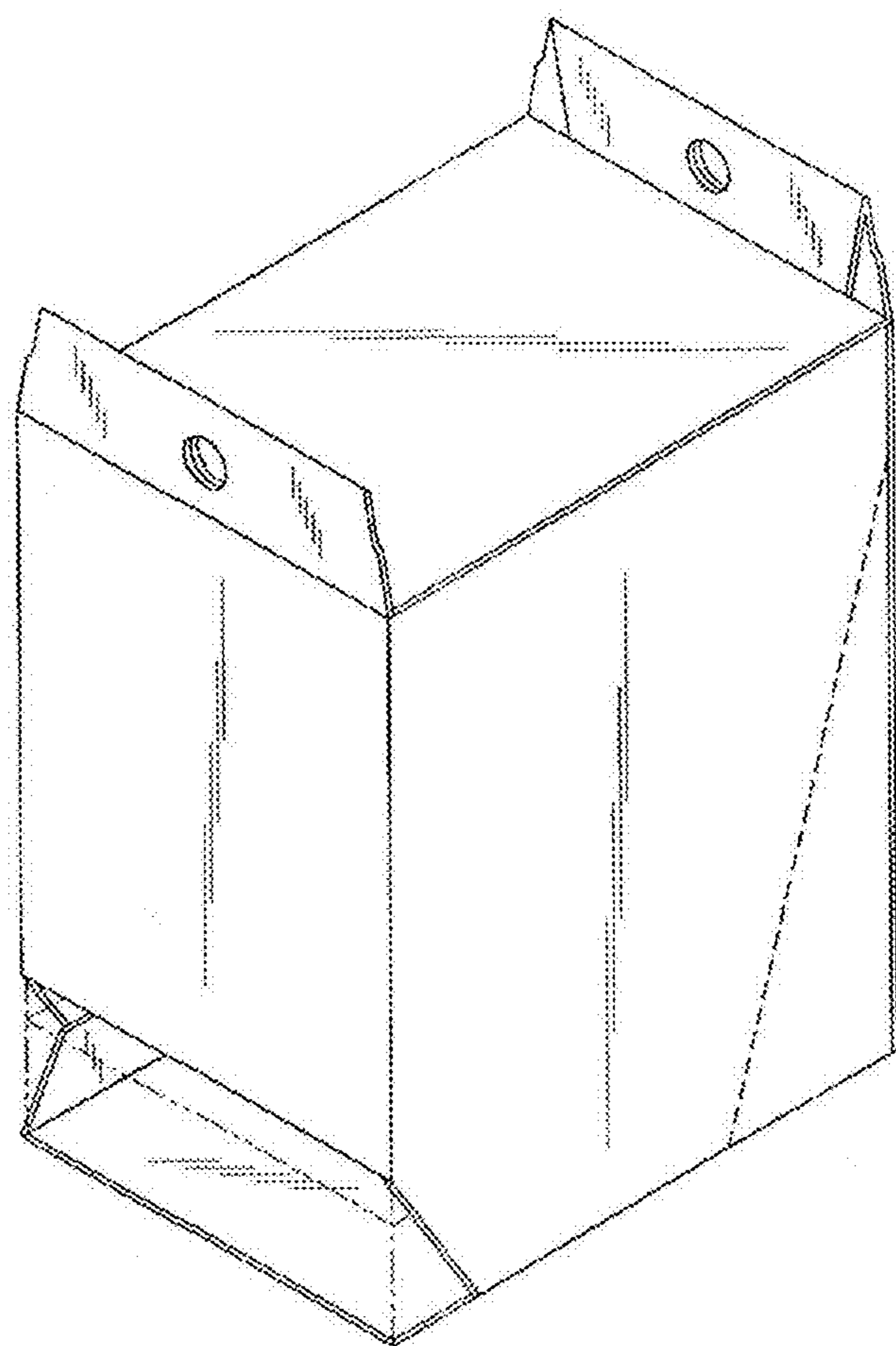


FIG. 7

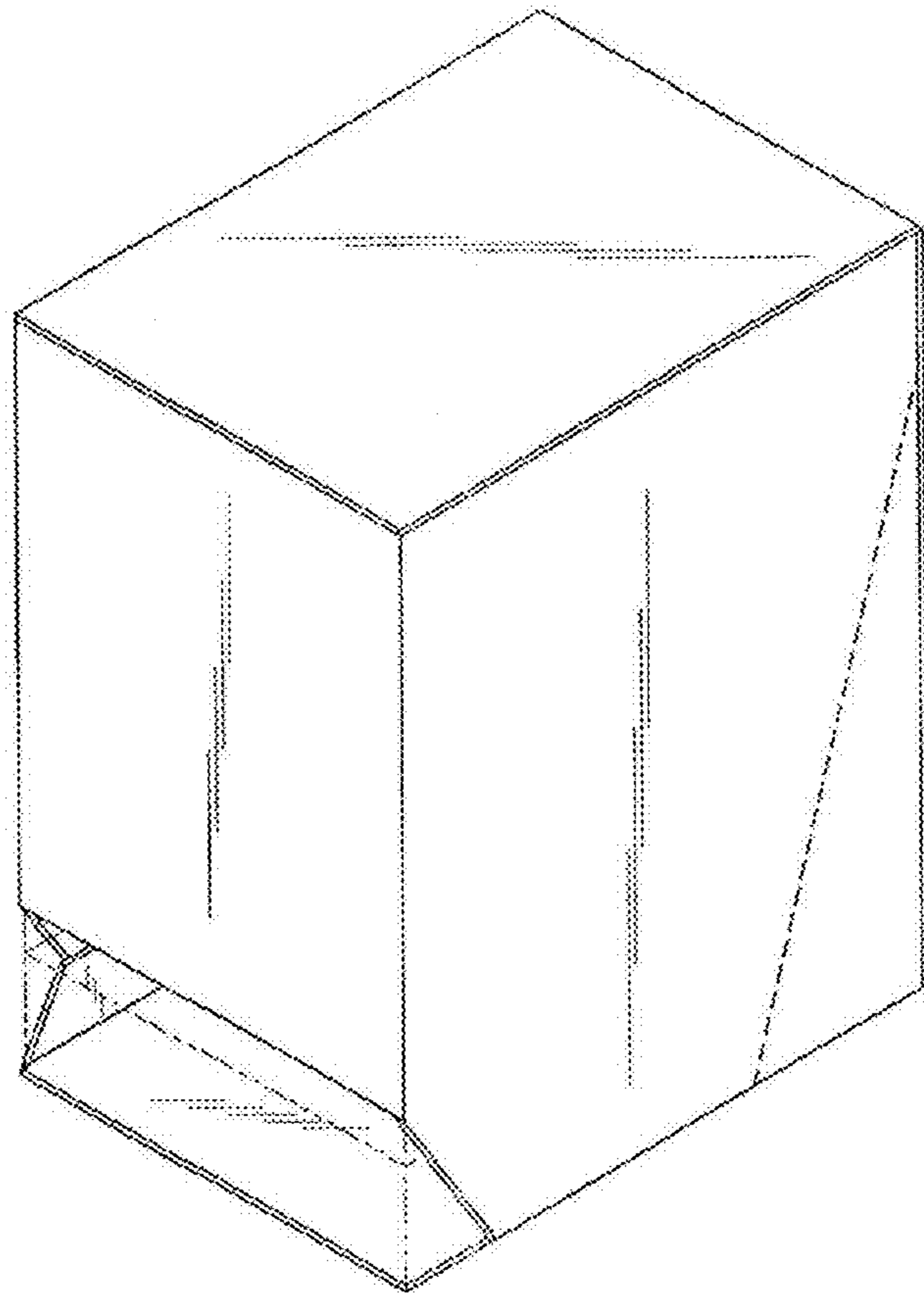


FIG. 8

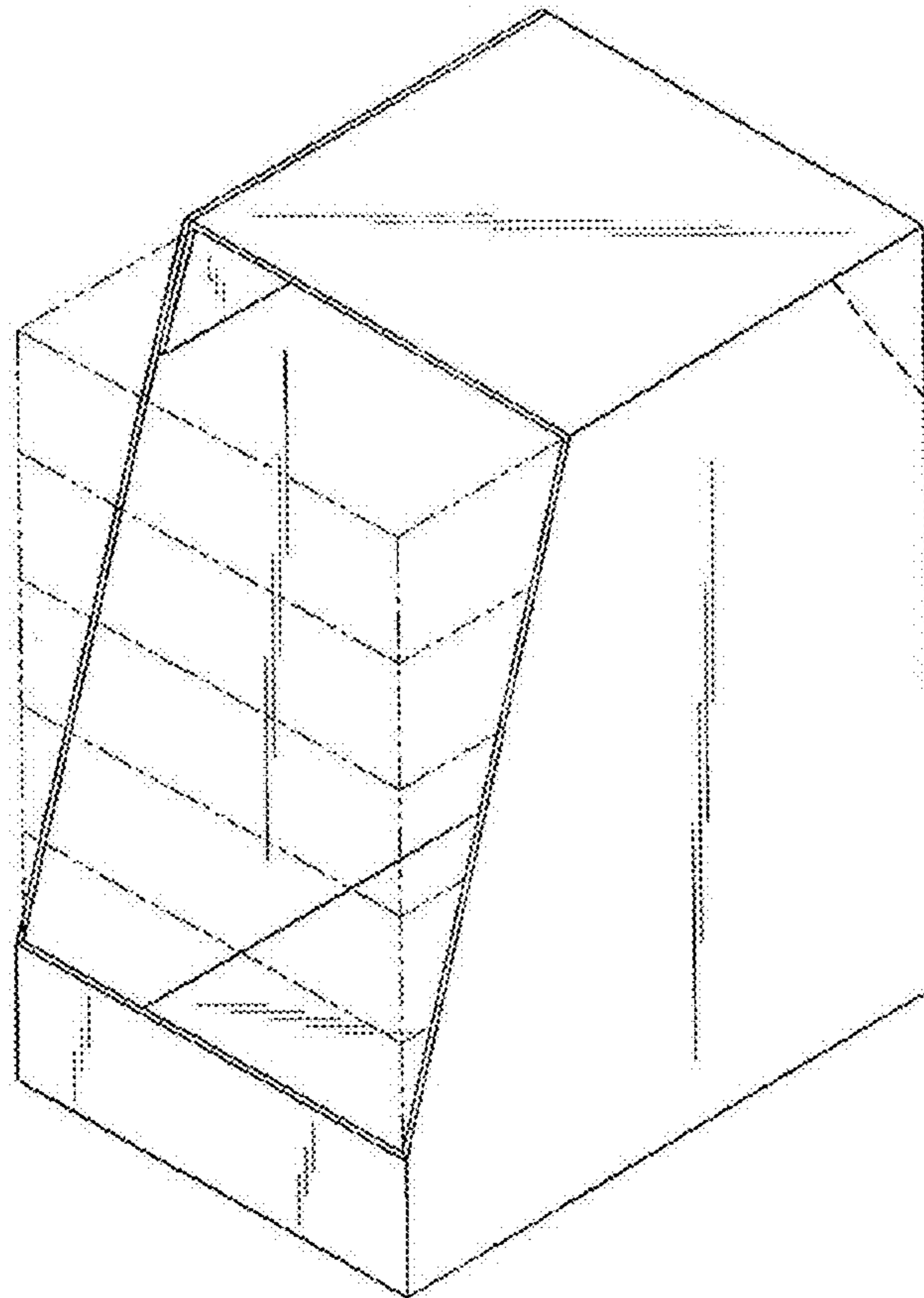


FIG. 9