



US00D719016S

(12) **United States Design Patent**
Schroeder

(10) **Patent No.:** **US D719,016 S**

(45) **Date of Patent:** **** Dec. 9, 2014**

(54) **CANDY BOX WITH SLIDE APART LIPS**

(71) Applicant: **Kizable, LLC**, Clearwater, FL (US)

(72) Inventor: **Brian James Schroeder**, Clearwater, FL (US)

(**) Term: **14 Years**

(21) Appl. No.: **29/464,530**

(22) Filed: **Aug. 16, 2013**

(51) **LOC (10) Cl.** **09-03**

(52) **U.S. Cl.**
USPC **D9/414**

(58) **Field of Classification Search**
USPC D9/346, 414-418, 424, 425, 423, 428, D9/429, 431-436, 445, 452-454, 499, 500, D9/504, 516, 519, 522, 529, 535, 537, 545, D9/551, 571, 672, 675, 702, 711, 715, 721, D9/722, 737, 748, 759, 740, 743, 745, 749, D9/756, 718, 713, 712, 546, 426, 457, 440, D9/438, 447, 700, 701, 670; 206/769, 773, 206/775-778, 395, 397-398, 223, 736, 756, 206/495, 349, 760, 541, 784, 780, 782; 229/162.1, 162.3, 162.7, 107, 122, 229/395, 938, 902, 409, 125.05, 116.1, 8, 229/22, 132, 131.1, 160, 125.15, 122.27, 229/122.31, 122.32, 123, 241, 172, 174, 229/185.1, 120.04, 120.13, 120.14, 120.23, 229/87.06, 92.3, 103.3, 104.114, 117, 229/117.08, 117.17, 120, 227, 117.7; D21/108, 352, 366, 374, 375, 395, 399, D21/443, 455, 460, 488, 667, 797, 800; D11/142; D7/538

See application file for complete search history.

(56) **References Cited**

U.S. PATENT DOCUMENTS

D415,424 S * 10/1999 Hill D9/434
D655,171 S * 3/2012 Bohache et al. D9/516

(Continued)

OTHER PUBLICATIONS

“Sexy Home Telephone” reference dated Dec. 14, 2011 found on the internet at <http://www.dhgate.com/product/sexy-home-telephone-red-mouth-lips-telephone/123831237>.*

(Continued)

Primary Examiner — Ian Simmons
Assistant Examiner — Rhea Shields
(74) *Attorney, Agent, or Firm* — Lee David Lubin

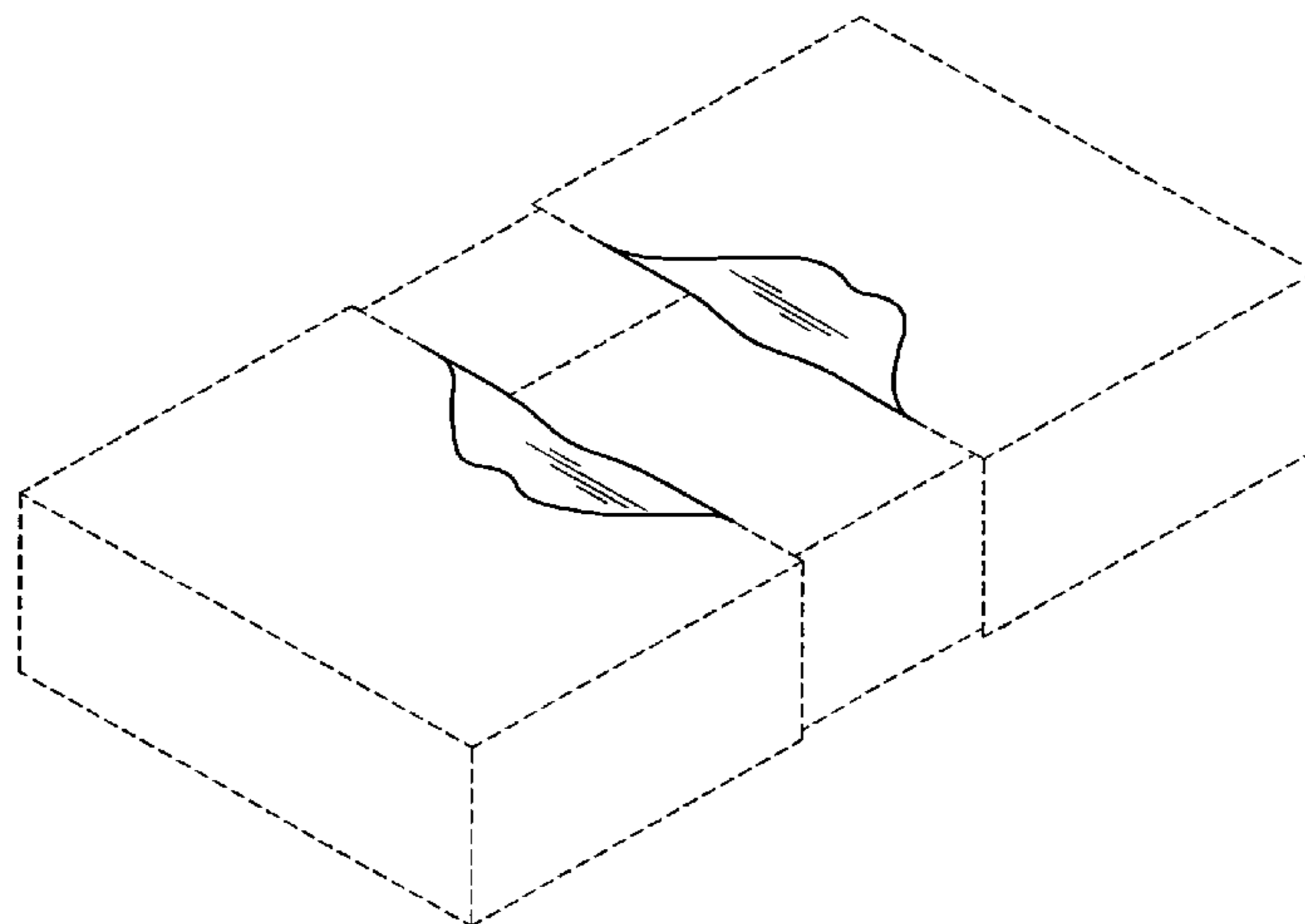
(57) **CLAIM**

The ornamental design for a candy box with slide apart lips, as shown and described.

DESCRIPTION

FIG. 1 is a front view of the candy box with slide apart lips in closed position, in accordance with present invention; FIG. 2 is a front perspective view thereof in a closed position; FIG. 3 is rear view thereof in a closed position; FIG. 4 is rear perspective view thereof in a closed position; FIG. 5 is a side view thereof in a closed position, along the vertical axis; FIG. 6 is a side view thereof along the horizontal access; FIG. 7 is a front view thereof in the open position; FIG. 8 is a rear view thereof in the open position; FIG. 9 is a side view thereof in the open position, along the vertical axis; FIG. 10 is a front perspective view thereof, in the open position; and, FIG. 11 is a rear perspective view thereof, in the open position. In the drawings, the broken line depicts unclaimed subject matter only and forms no part of the claimed design.

1 Claim, 5 Drawing Sheets



(56)

References Cited

OTHER PUBLICATIONS

U.S. PATENT DOCUMENTS

D660,721 S * 5/2012 Kim D9/721
D675,095 S * 1/2013 Villiers et al. D9/434
D675,515 S * 2/2013 Villiers et al. D9/420
D676,322 S * 2/2013 Villiers et al. D9/456
D678,055 S * 3/2013 Villiers et al. D9/434
D684,467 S * 6/2013 Macaulay et al. D9/434

“Hot lips jewelry box” reference dated Sep. 19, 2014 found on the internet at: <http://www.bindependent.com/cgi-bin/shopper.cgi?preadd=action&key=gcj125>.*

* cited by examiner

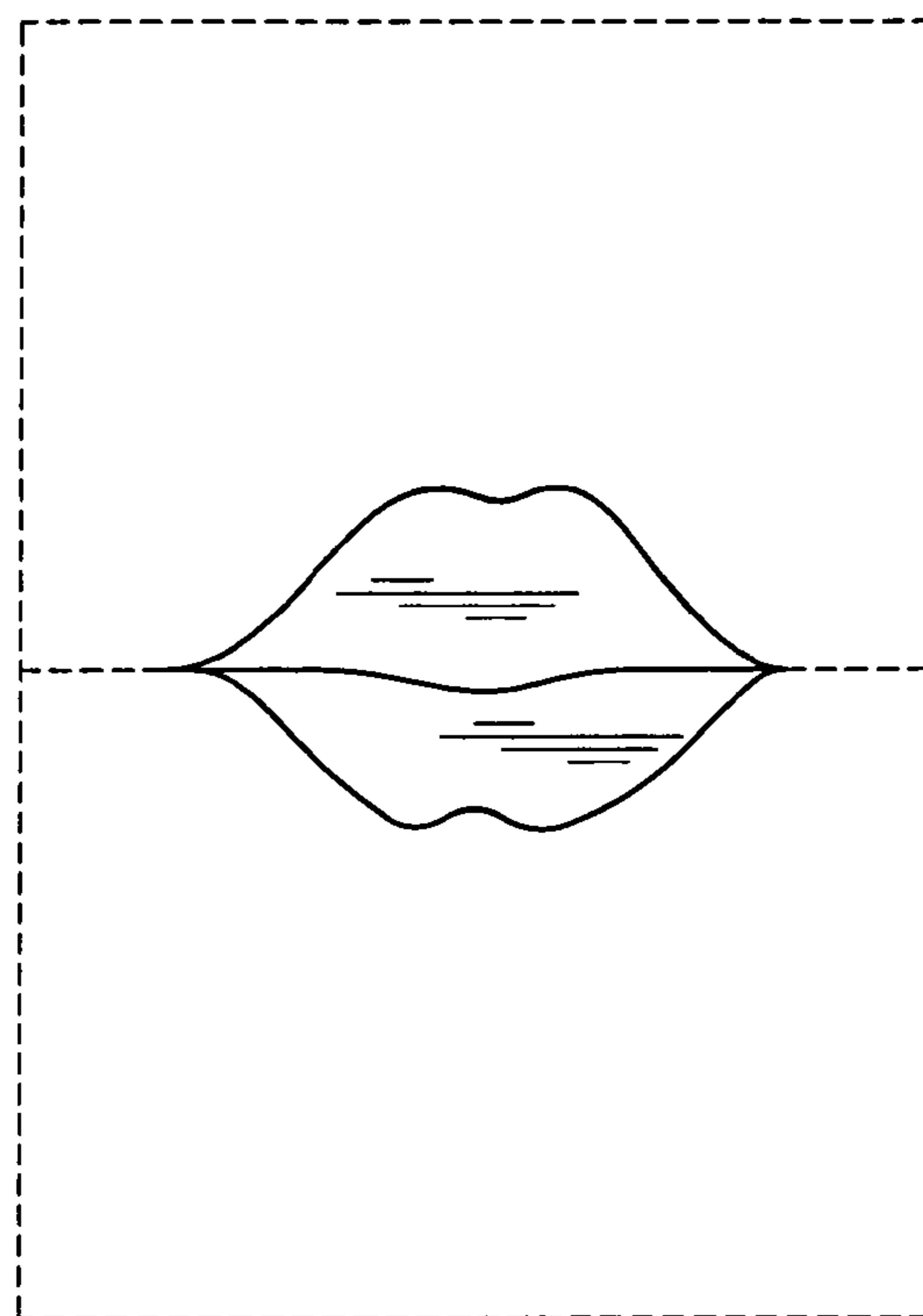


FIG. 1

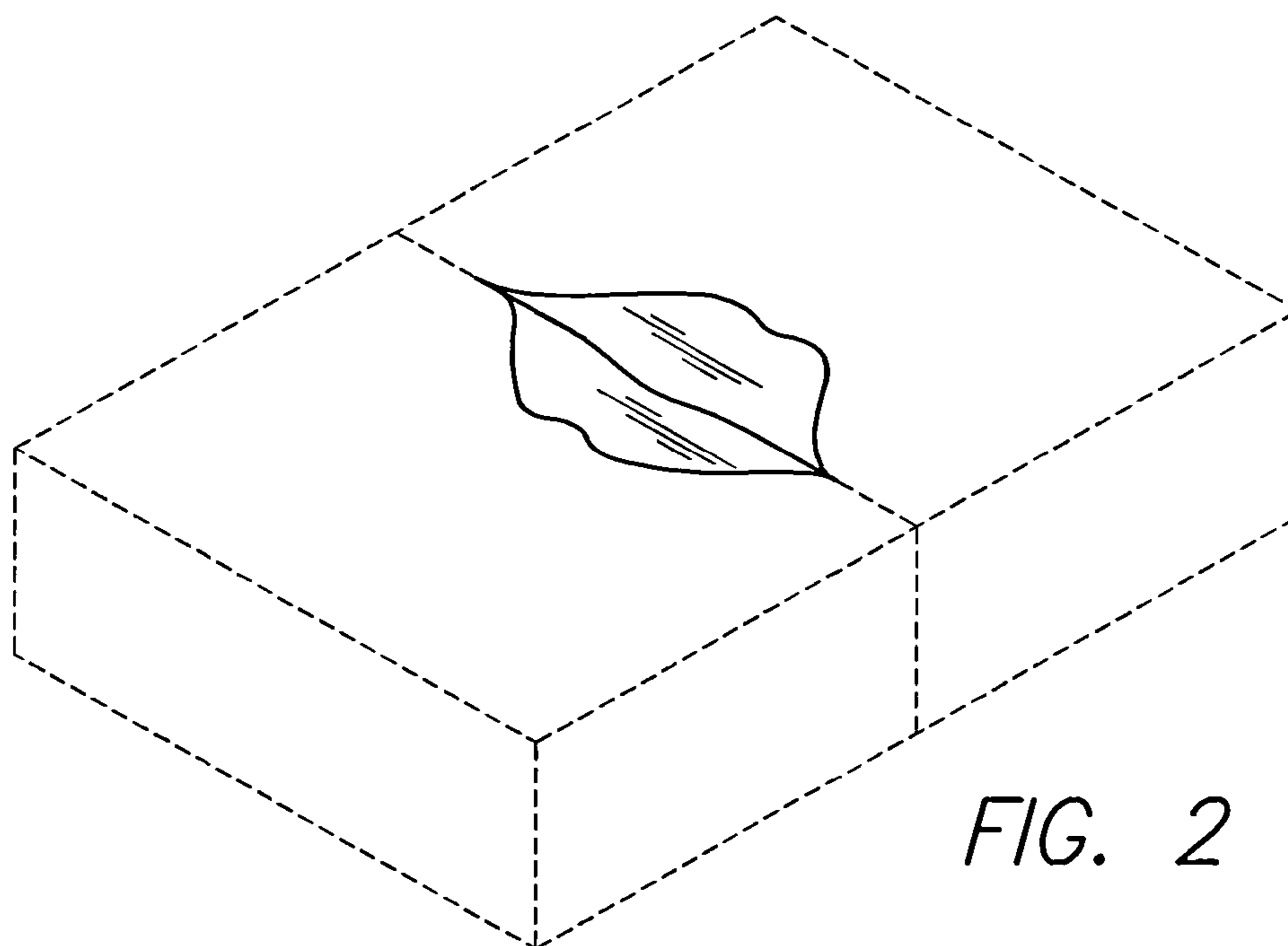


FIG. 2

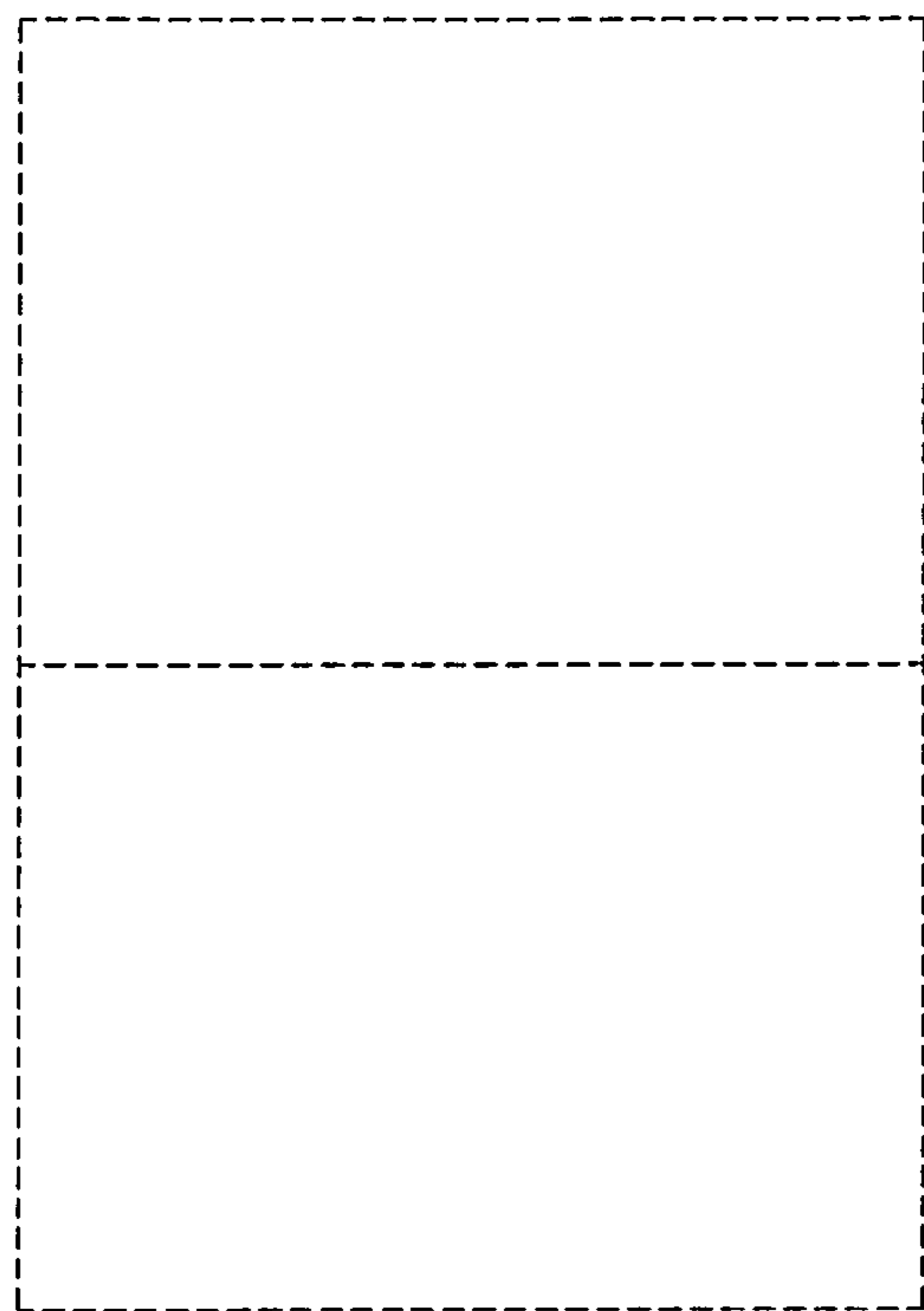


FIG. 3

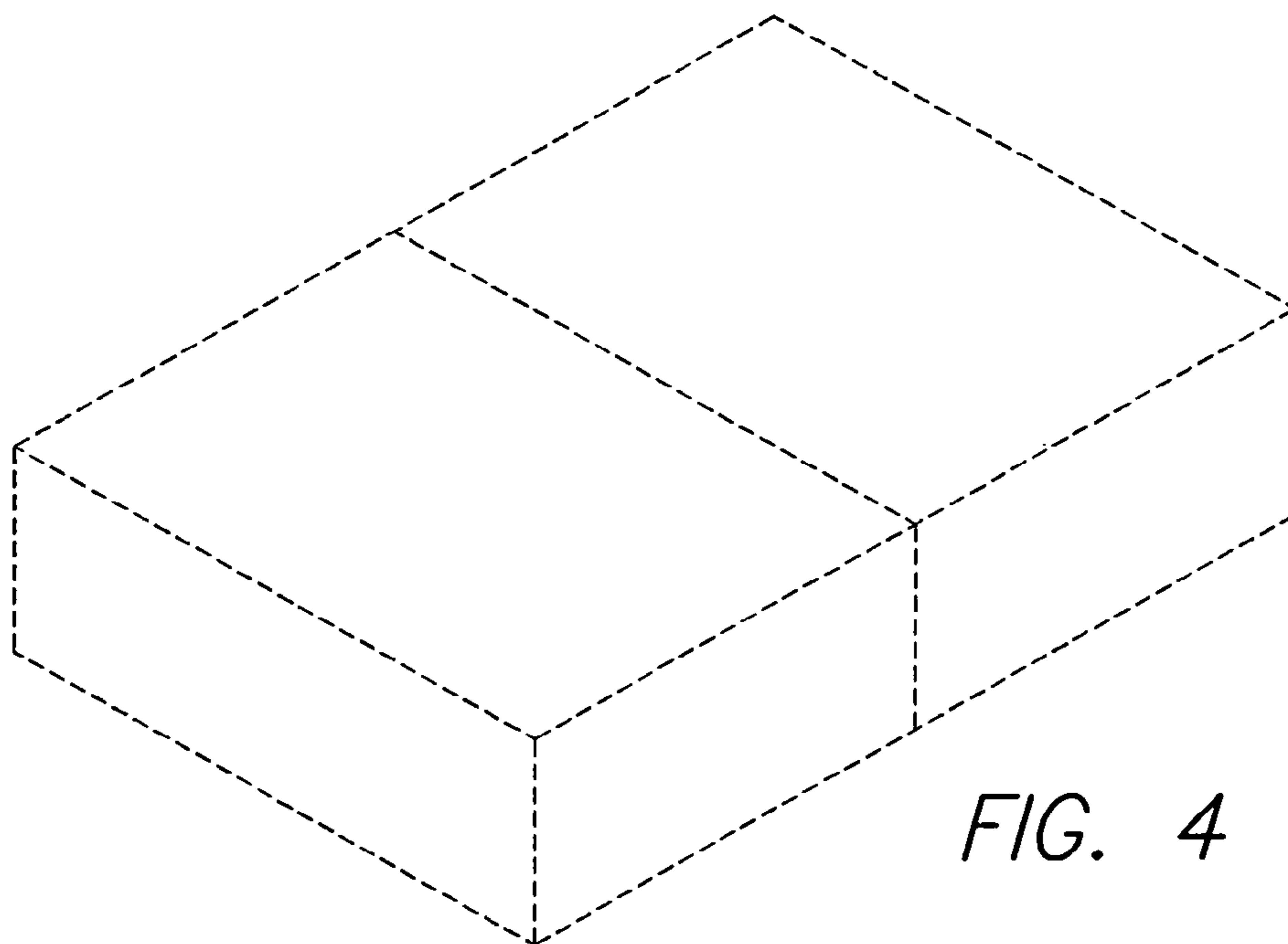


FIG. 4

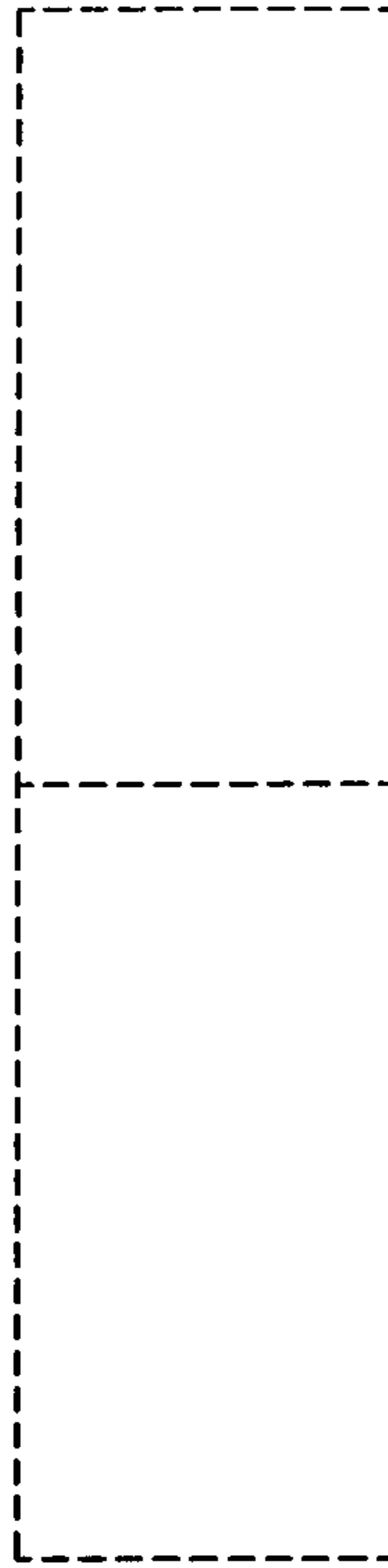


FIG. 5



FIG. 6



FIG. 9

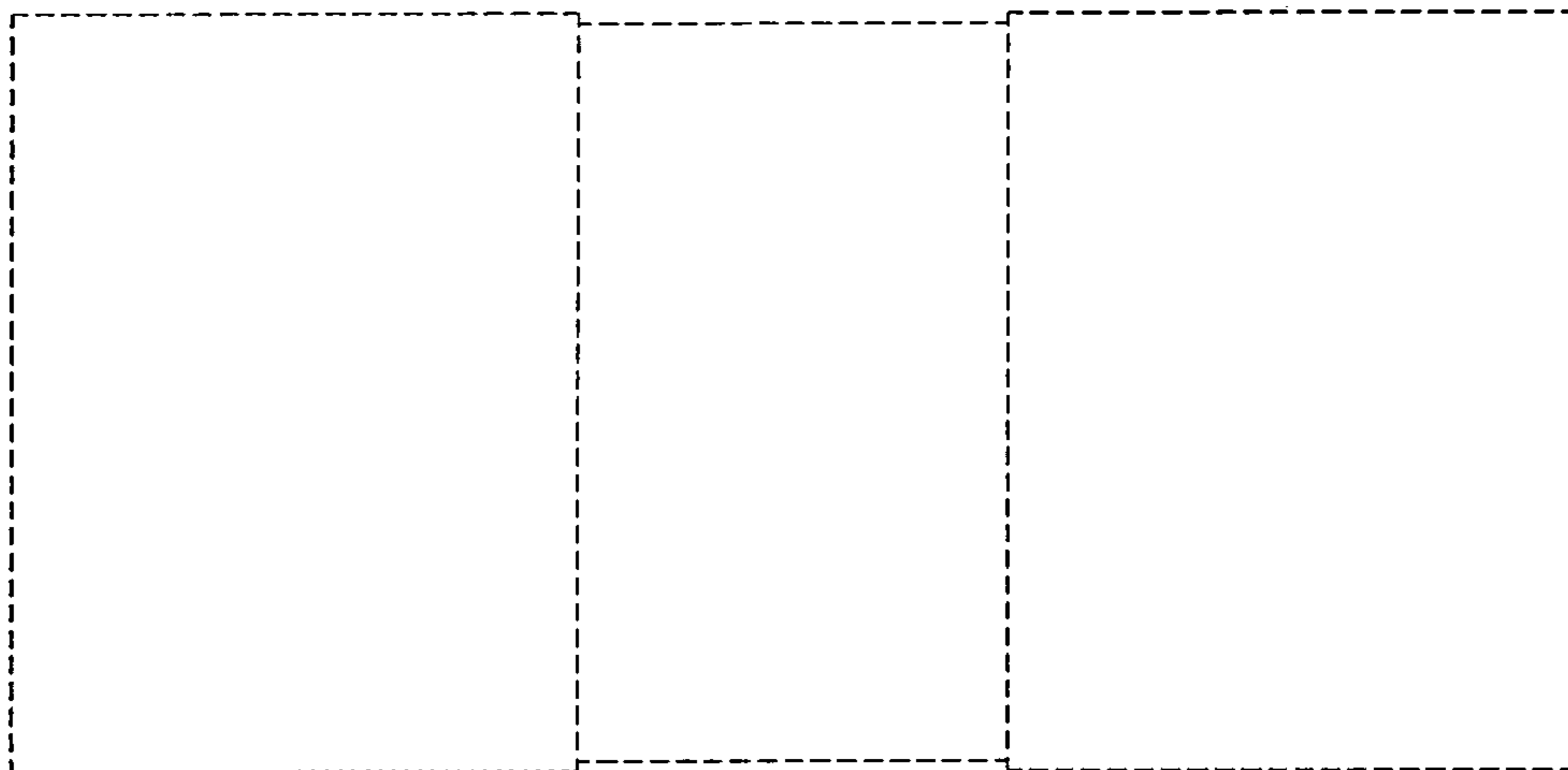


FIG. 8

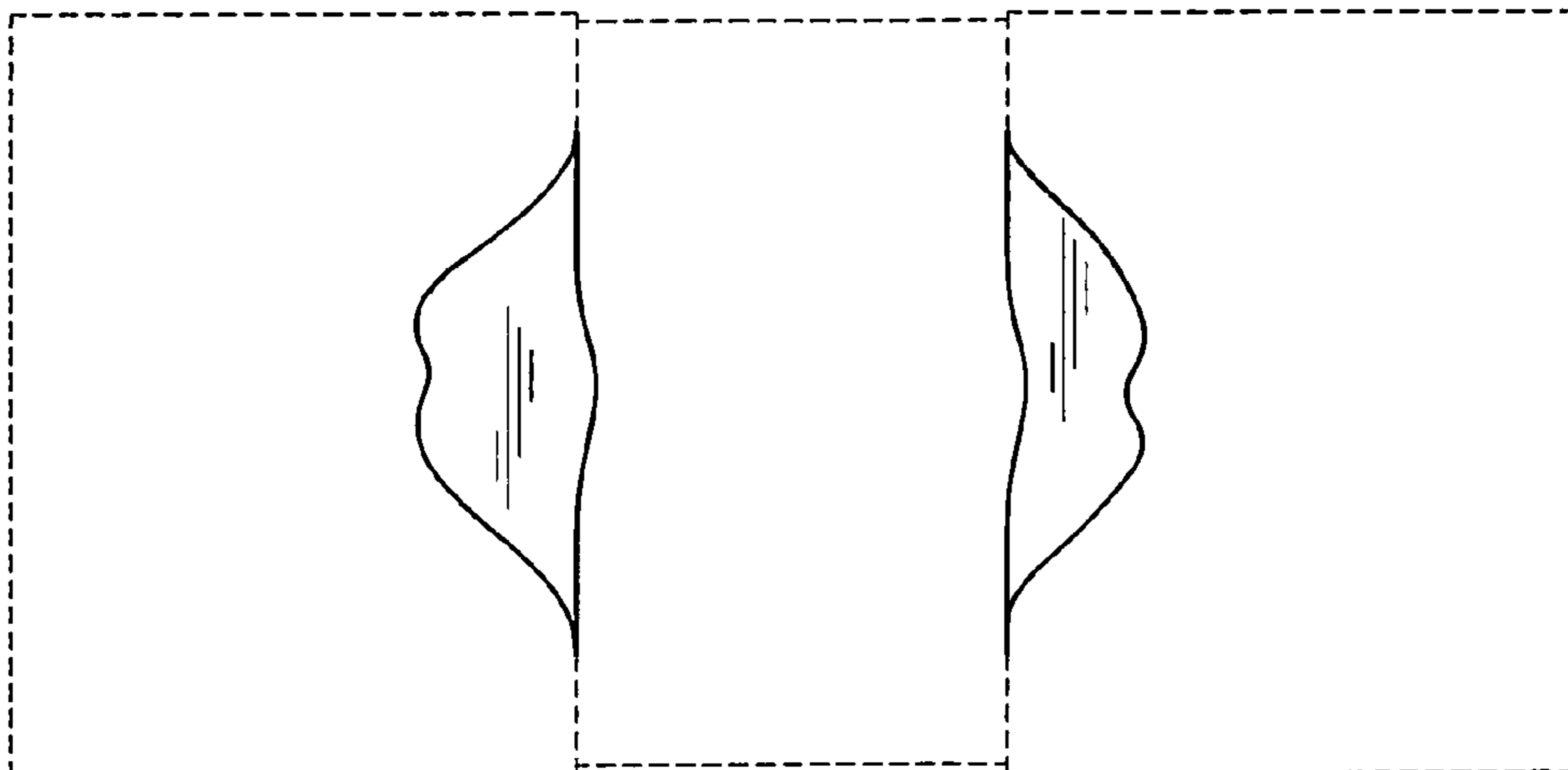


FIG. 7

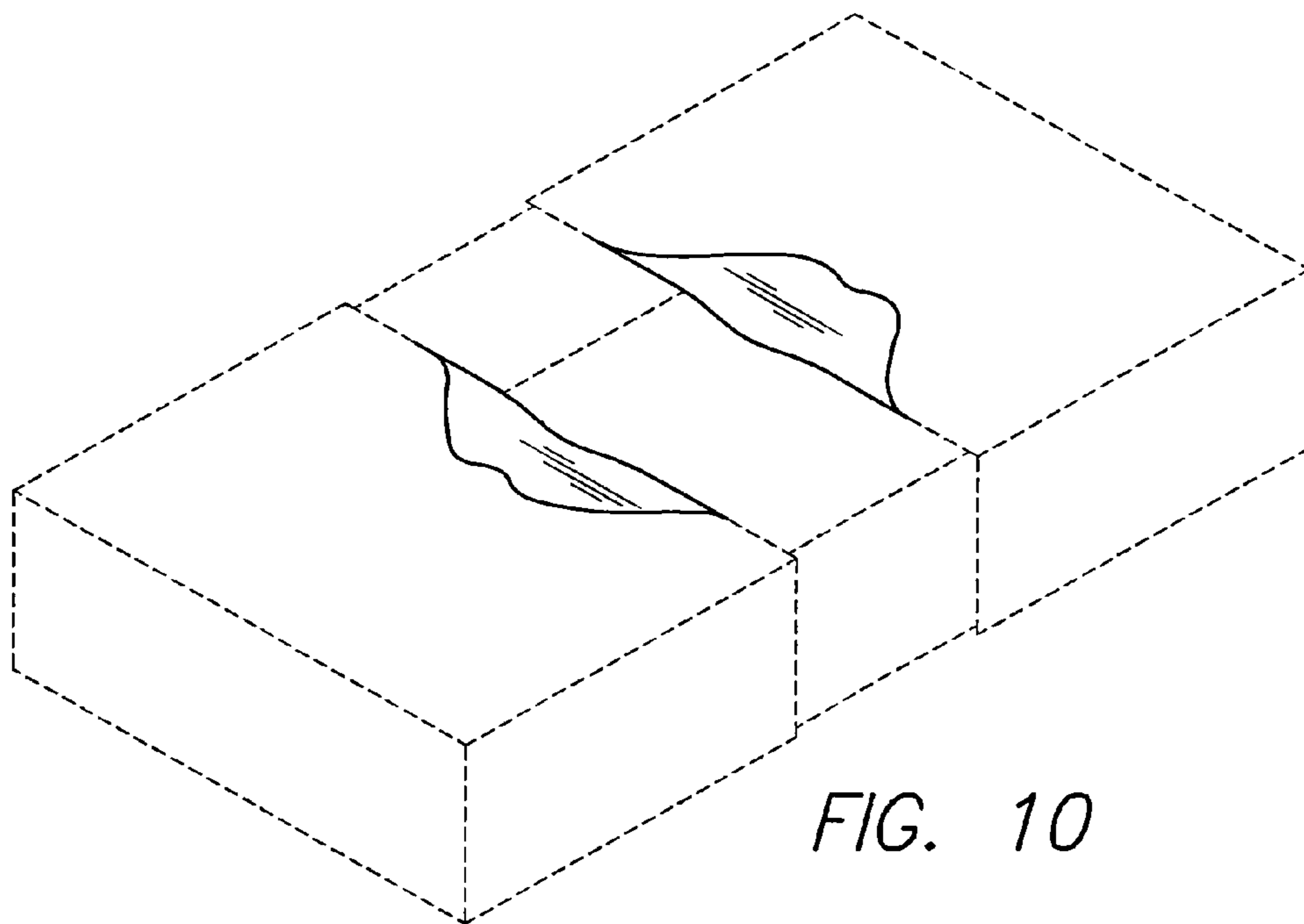


FIG. 10

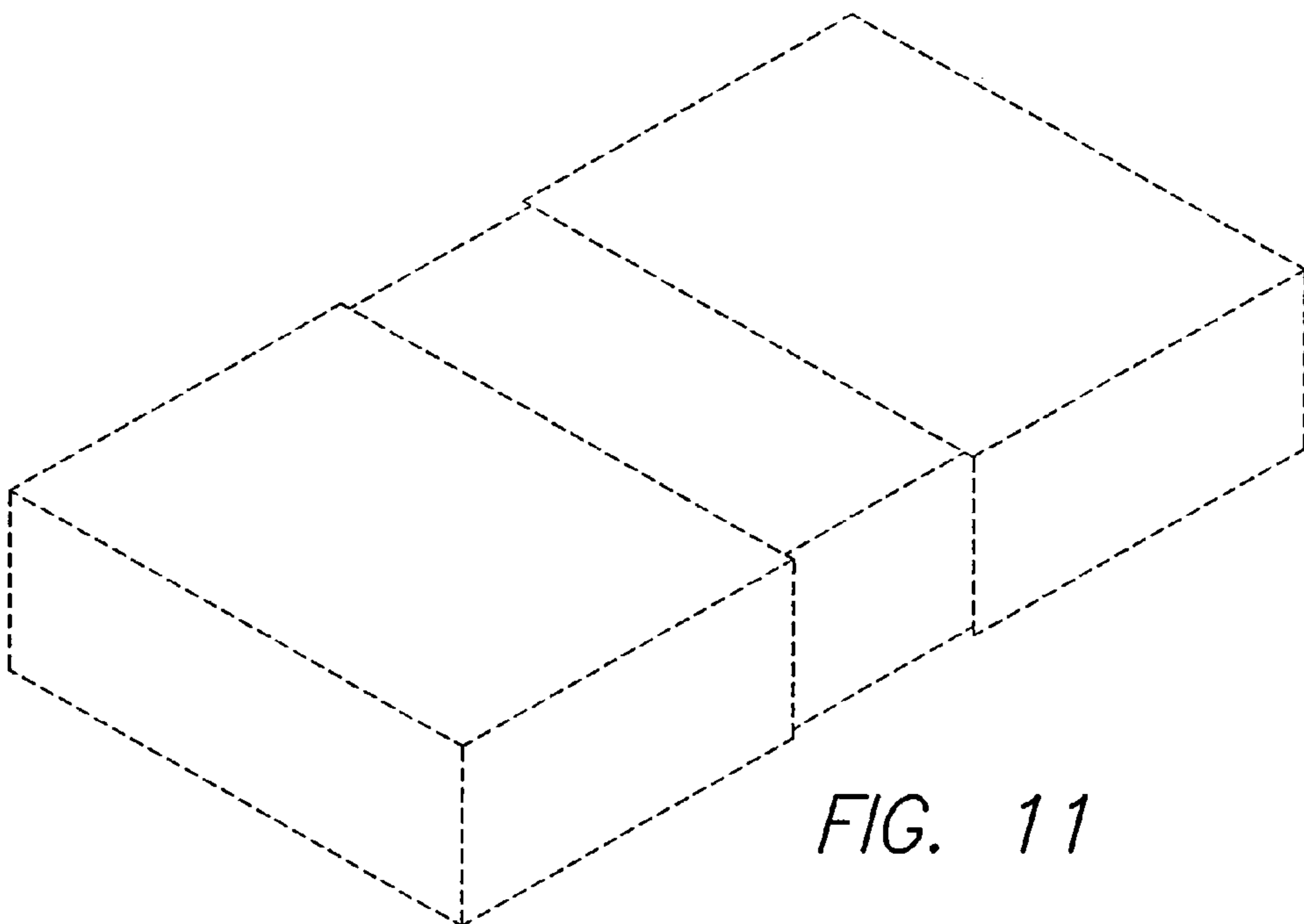


FIG. 11