



US00D719015S

(12) **United States Design Patent**
Hengler

(10) **Patent No.:** **US D719,015 S**
(45) **Date of Patent:** **** Dec. 9, 2014**

- (54) **DOORSTOP**
- (71) Applicant: **Vegas Doorstop Industries, Inc.**, Las Vegas, NV (US)
- (72) Inventor: **William J. Hengler**, Boulder City, NV (US)
- (73) Assignee: **Vegas Doorstop Industries, Inc.**, Las Vegas, NV (US)
- (**) Term: **14 Years**
- (21) Appl. No.: **29/465,400**
- (22) Filed: **Aug. 27, 2013**
- (51) **LOC (10) Cl.** **08-09**
- (52) **U.S. Cl.**
USPC **D8/402**
- (58) **Field of Classification Search**
CPC . E05F 5/06; E05Y 2900/531; E05Y 2201/21; E05C 17/203; E05C 17/36
USPC D8/307, 322, 395, 400-404, 499, 323, D8/354, 393, 388, 360, 378, 356; D9/456, D9/614, 623, 628, 640, 673; D19/21; D21/385, 401, 418, 426, 430, 441, 447, D21/582; D14/218, 223, 428; 16/71, 82, 83, 16/375, 342, 85, 86 R; D6/552; D11/82, D11/53, 89, 101, 96, 99, 154, 157; 292/343, 292/342, 288; D28/38, 39, 54.1; D7/550.1, D7/637, 691, 693
See application file for complete search history.

1,944,101 A	1/1934	Meier	
2,049,903 A	8/1936	Flinn	
2,487,652 A	11/1949	Heinrich	
2,509,502 A	5/1950	Hunt	
2,883,226 A	4/1959	Haynes	
2,896,791 A	7/1959	Raber	
3,786,533 A	1/1974	O'Donnell	
D232,650 S *	9/1974	Martin	D21/447
3,918,121 A	11/1975	Williams	
4,114,234 A	9/1978	Hogenson	
D261,224 S *	10/1981	Sanderson, Jr.	D8/323
D276,980 S *	1/1985	Ahlund	D8/400
D277,728 S *	2/1985	Ahlund	D8/400
4,527,303 A	7/1985	Civitelli	
4,630,854 A	12/1986	Person et al.	
D300,938 S *	5/1989	Delaney	D21/447

(Continued)

FOREIGN PATENT DOCUMENTS

DE	2834865 A	2/1980
GB	2382105 A	5/2003
WO	WO 8200043 A	1/1982
WO	WO 9523905 A1	9/1995

Primary Examiner — Thomas Johannes
Assistant Examiner — Chelsea Sealey
(74) *Attorney, Agent, or Firm* — Greenberg Traurig

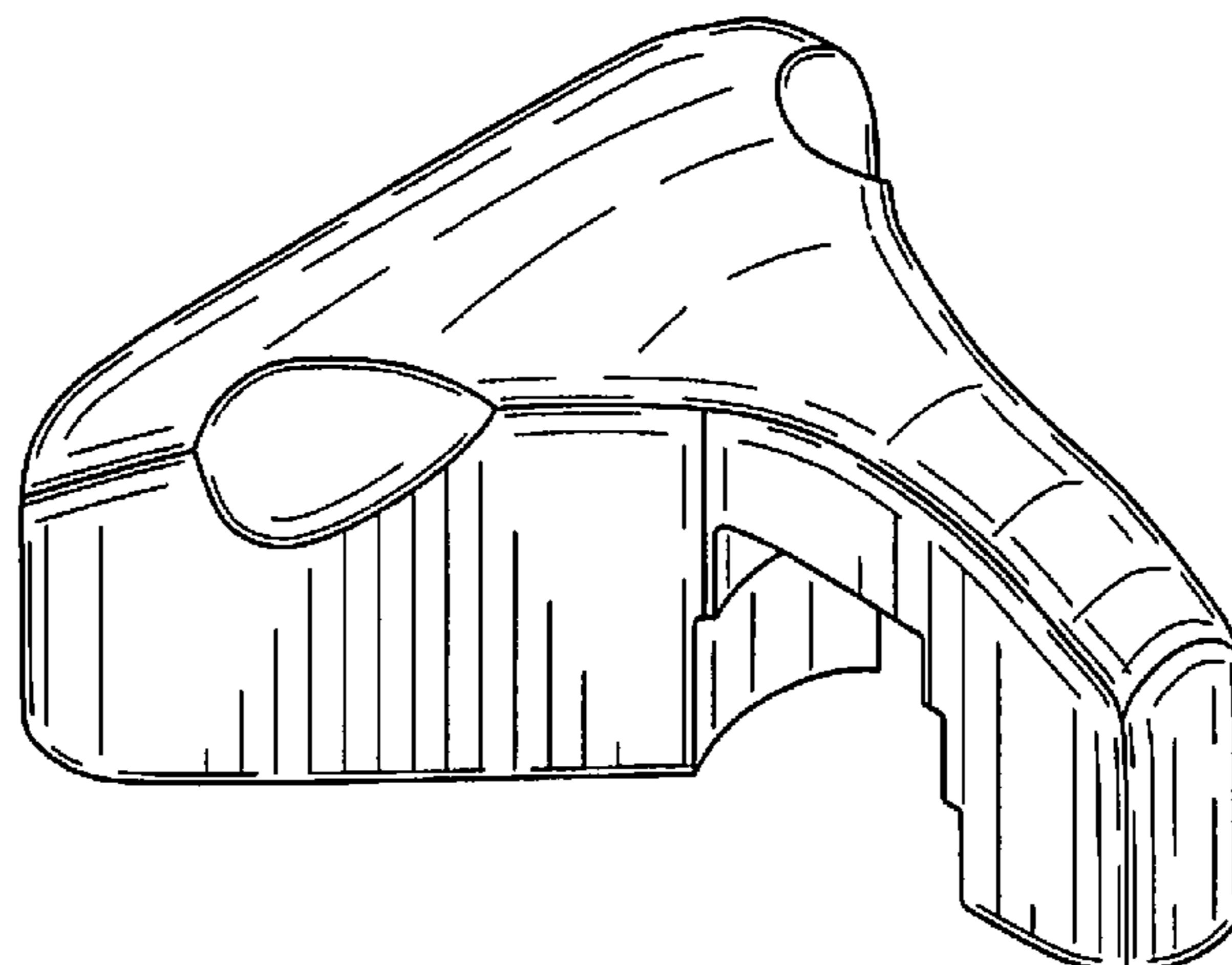
(57) **CLAIM**
The ornamental design for a doorstop, as shown and described.

DESCRIPTION

FIG. 1 is an upper perspective view of a doorstop showing my new design
FIG. 2 is a top view thereof;
FIG. 3 is a front view thereof;
FIG. 4 is a right side view thereof;
FIG. 5 is a left side view thereof;
FIG. 6 is a rear view thereof; and,
FIG. 7 is a bottom view thereof.

1 Claim, 3 Drawing Sheets

- (56) **References Cited**
U.S. PATENT DOCUMENTS
83,967 A 11/1868 Horrell
314,105 A 3/1885 Carnes
485,613 A 11/1892 Deane
1,354,046 A 9/1920 Lanning
1,417,281 A 5/1922 Robinson



(56)

References Cited

U.S. PATENT DOCUMENTS

4,831,688 A	5/1989	Deiningner	5,586,793 A	12/1996	Davenport
D309,708 S	8/1990	Rosa et al.	5,642,910 A	7/1997	Betherum
5,007,139 A	4/1991	Ahern	5,711,557 A	1/1998	Nicolsi
5,027,471 A	7/1991	Barnes	5,727,289 A	3/1998	Reder
5,044,681 A	9/1991	Neighbors	5,732,442 A	3/1998	Haggard
D323,976 S	2/1992	Barnes	5,769,437 A	6/1998	Gasperino
D350,962 S *	9/1994	Reardon et al. D14/218	5,881,431 A	3/1999	Pieper et al.
5,369,840 A	12/1994	Salvador et al.	6,003,911 A	12/1999	Sowash
5,450,652 A	9/1995	Webb	6,135,516 A	10/2000	Gasperino
D367,672 S *	3/1996	Hahn D19/49	6,149,212 A	11/2000	Kuntz et al.
5,511,837 A	4/1996	Dempsey et al.	D455,644 S	4/2002	Coffey
5,560,080 A	10/1996	Reed	D538,149 S	3/2007	Yarde
5,581,844 A	12/1996	Raheb et al.	D538,214 S *	3/2007	Conway et al. D12/197
			D608,632 S *	1/2010	Lynch D8/402
			7,904,992 B2	3/2011	Agster et al.

* cited by examiner

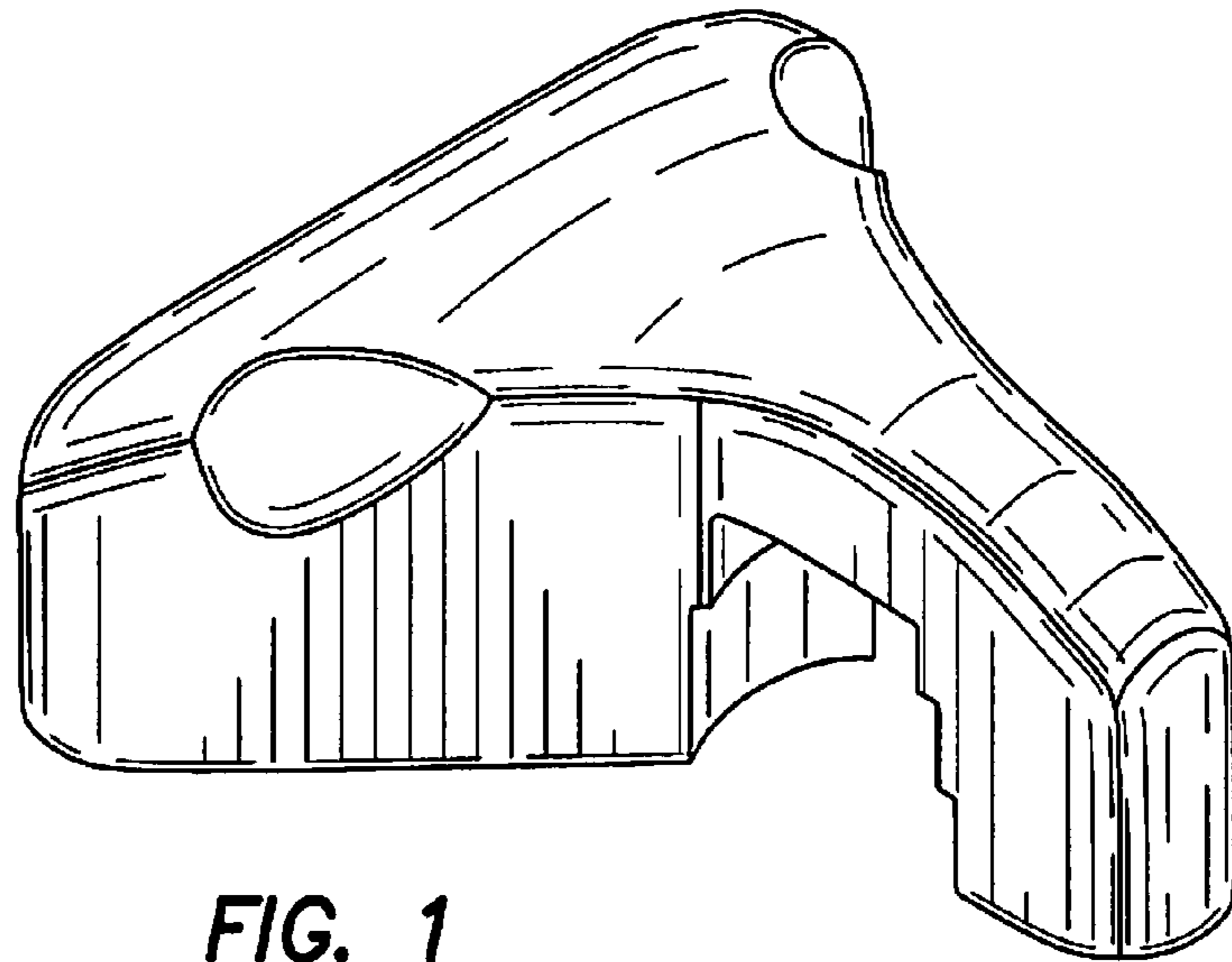


FIG. 1

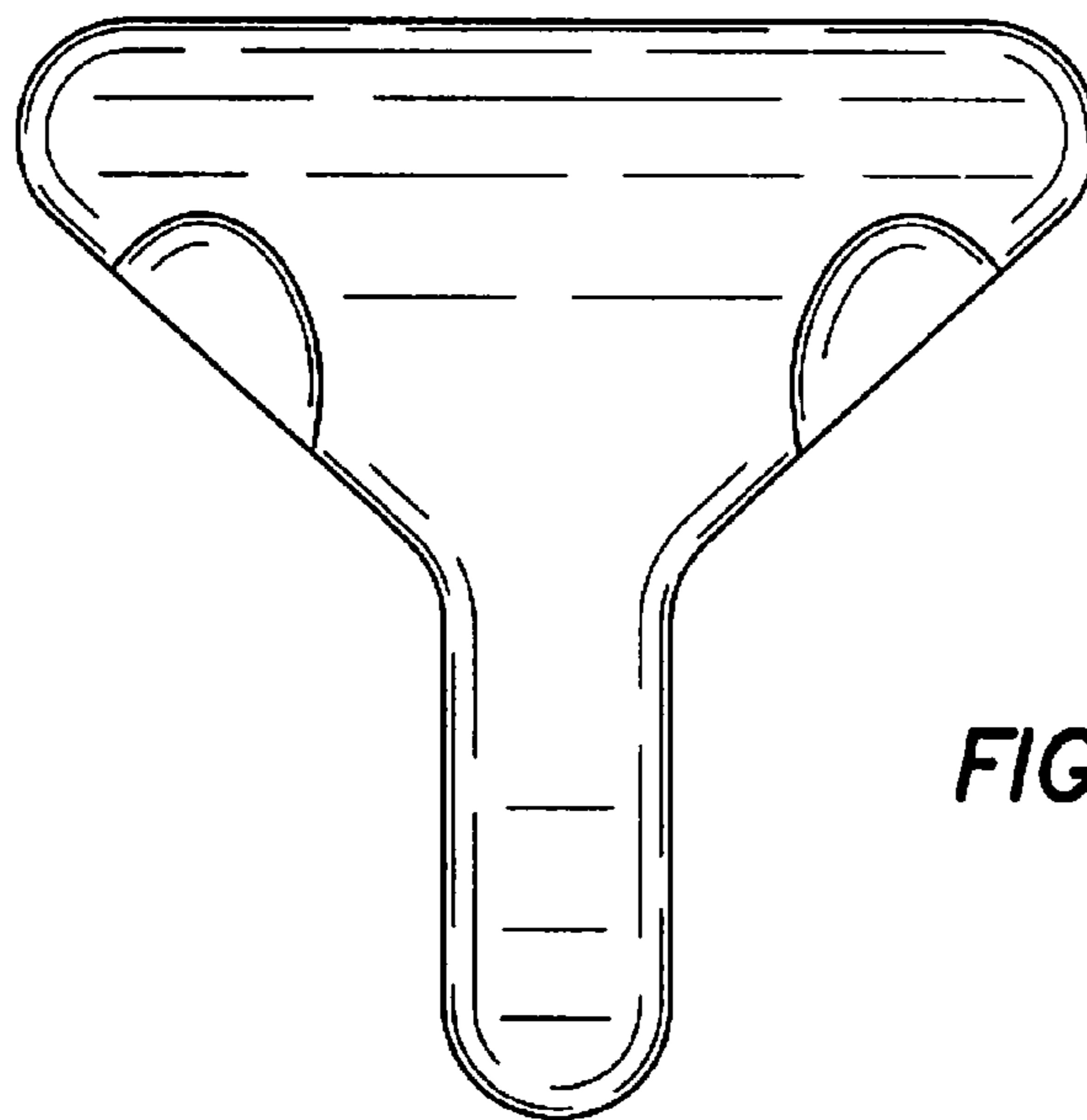


FIG. 2

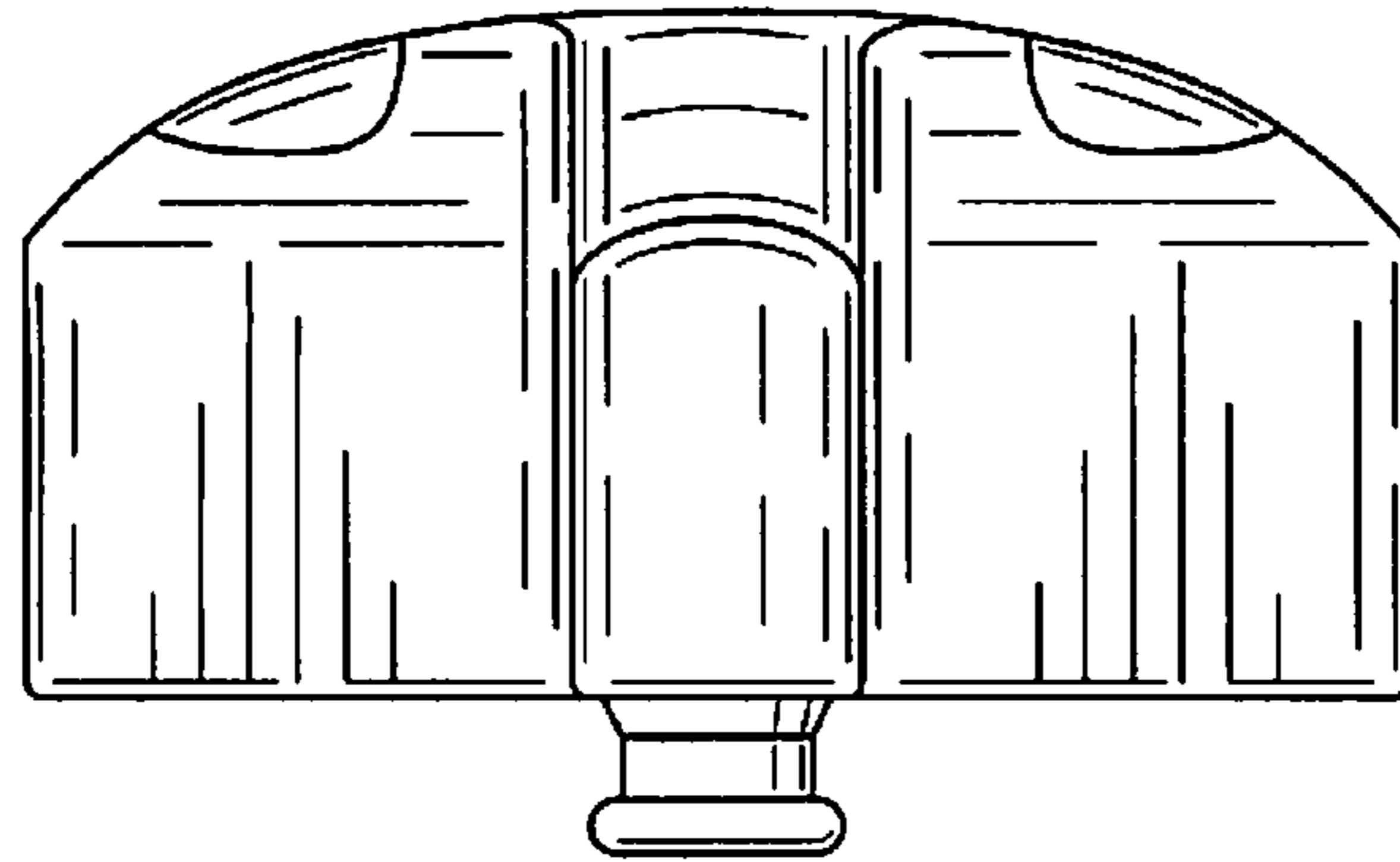


FIG. 3

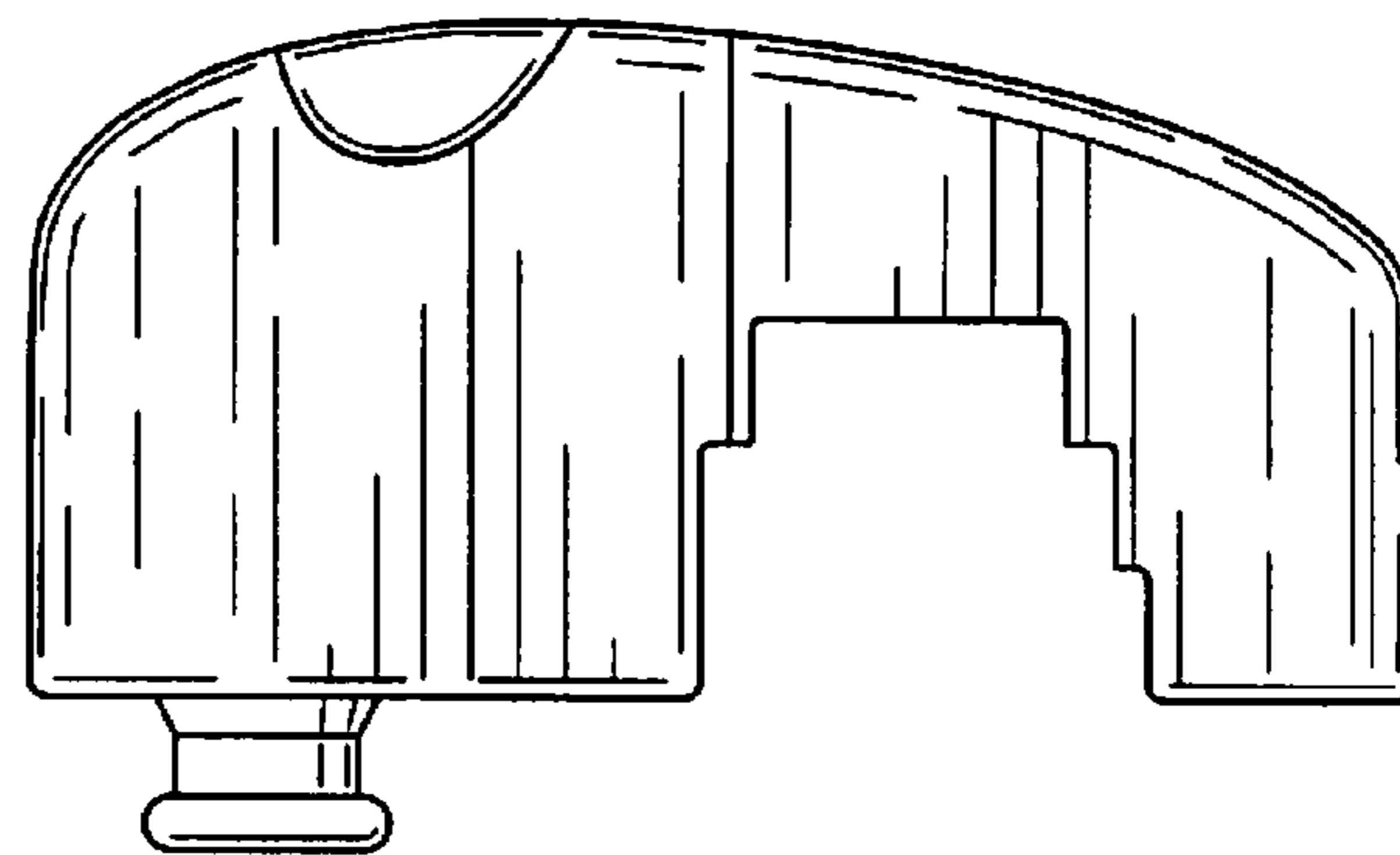


FIG. 4

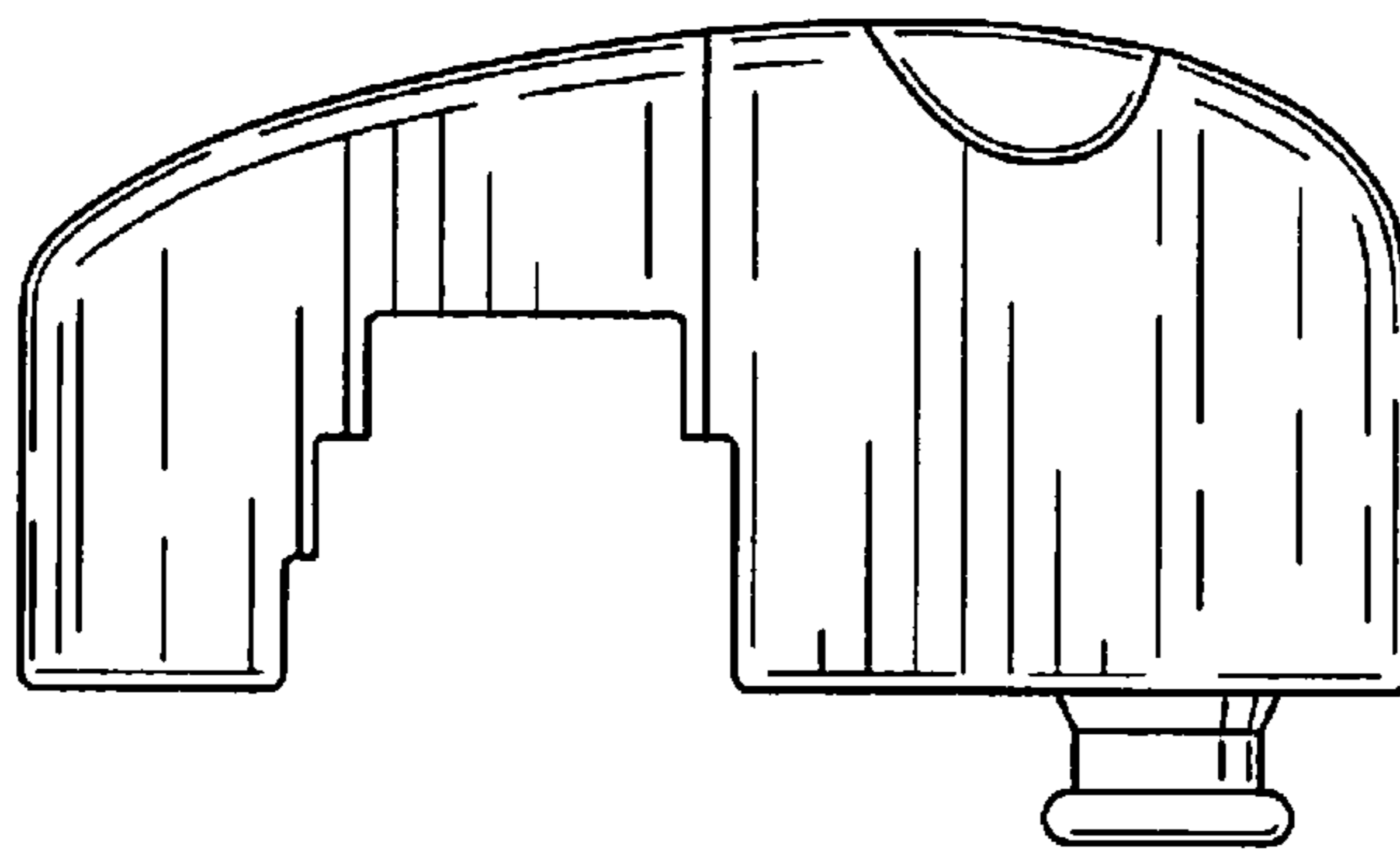


FIG. 5

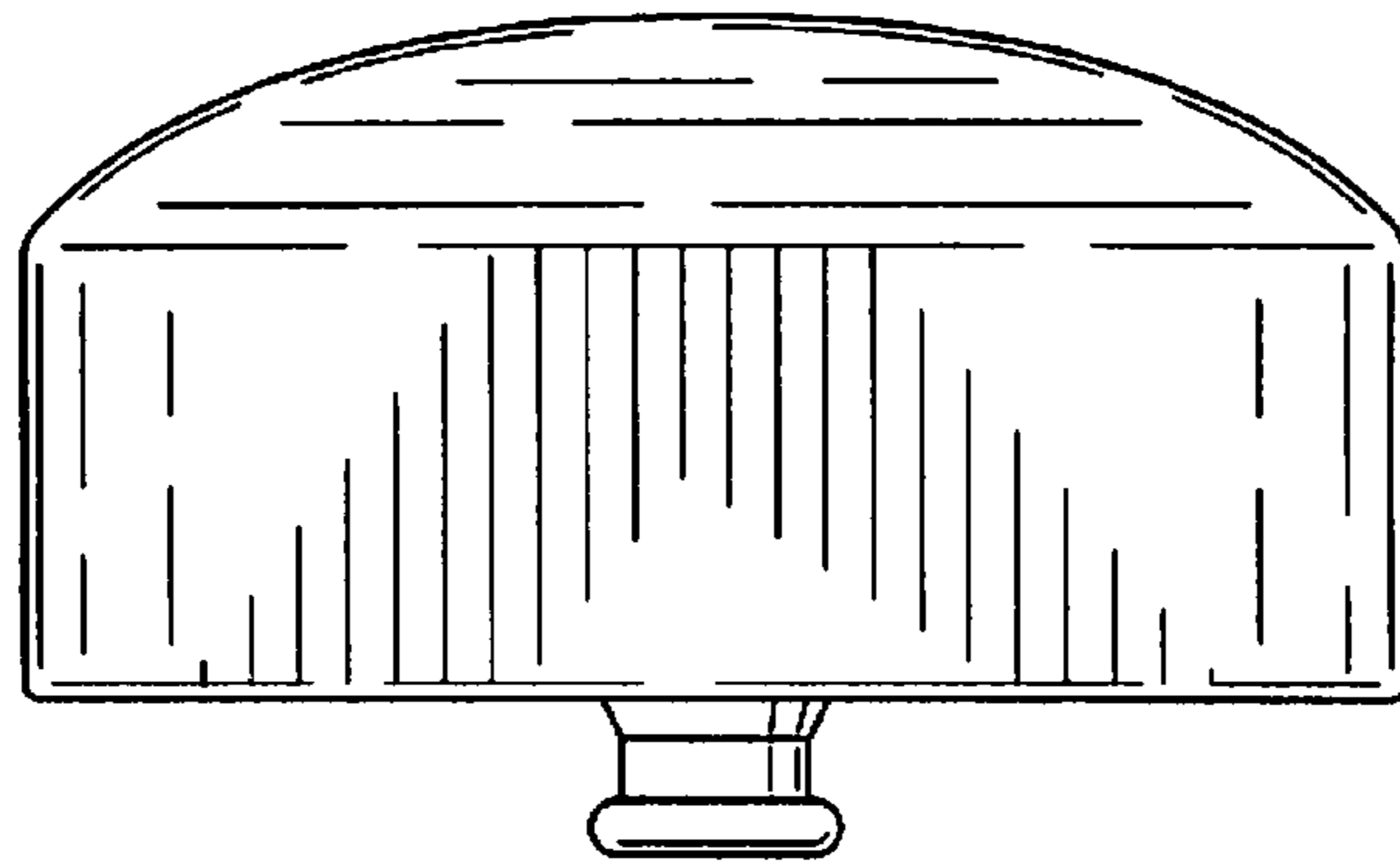


FIG. 6

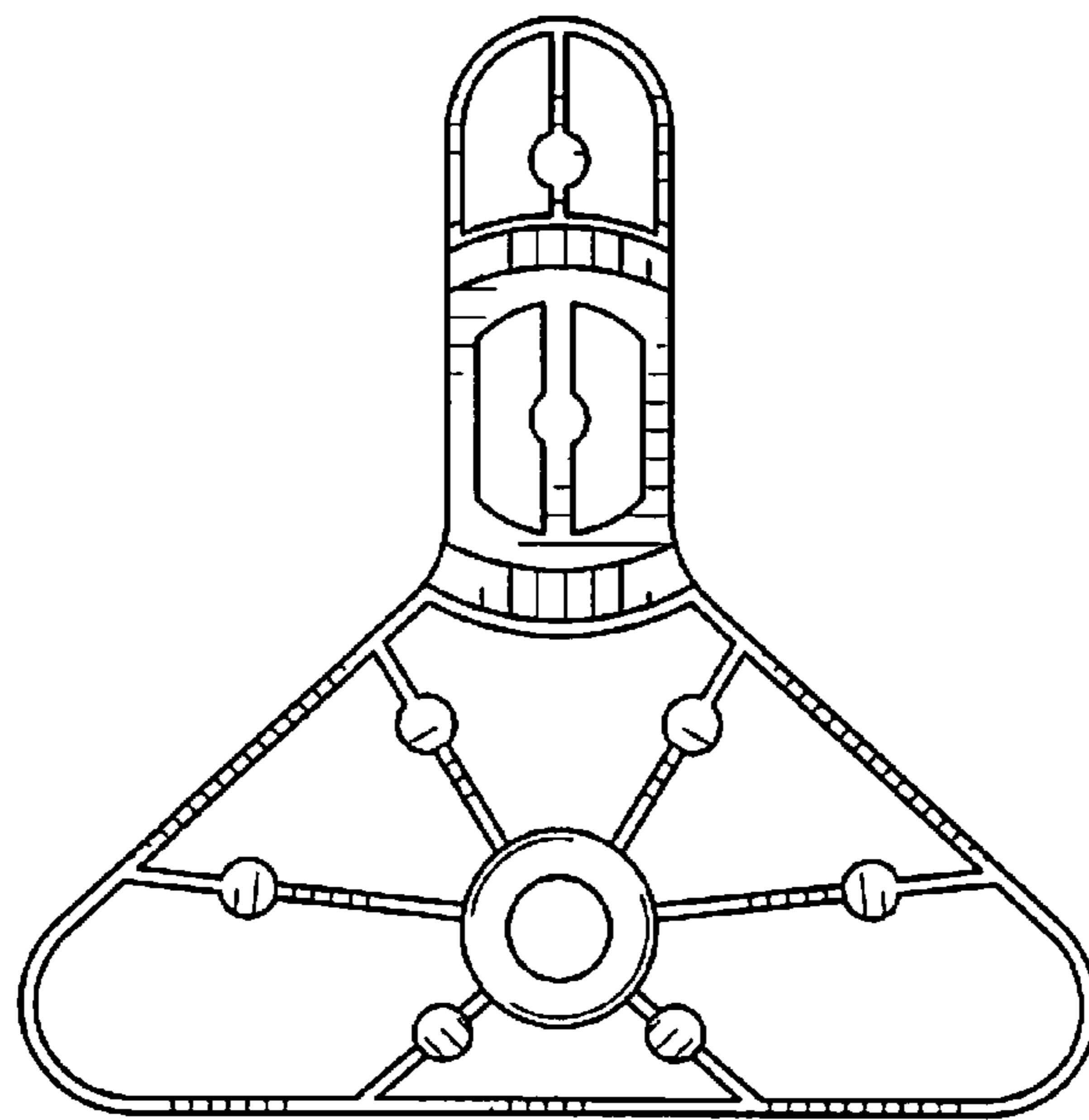


FIG. 7