



US00D719013S

(12) **United States Design Patent**
St. John et al.

(10) **Patent No.:** **US D719,013 S**

(45) **Date of Patent:** **** Dec. 9, 2014**

- (54) **LINE MANAGEMENT DEVICE**
- (71) Applicant: **Stryker Corporation**, Kalamazoo, MI (US)
- (72) Inventors: **Connor Feldpausch St. John**, Marne, MI (US); **Cory Patrick Herbst**, Shelbyville, MI (US)
- (73) Assignee: **Stryker Corporation**, Kalamazoo, MI (US)
- (**) Term: **14 Years**
- (21) Appl. No.: **29/462,224**
- (22) Filed: **Jul. 31, 2013**
- (51) **LOC (10) Cl.** **08-05**
- (52) **U.S. Cl.**
USPC **D8/356**
- (58) **Field of Classification Search**
CPC A61N 1/00
USPC D8/356, 396, 367, 354, 349, 394, 373; 206/320; D24/455; 248/62, 63, 65, 248/74.1, 74.2, 75, 313, 316.1, 229.26; D11/218; 410/97
See application file for complete search history.

- 5,046,899 A * 9/1991 Nishi 407/102
- D340,942 S * 11/1993 Smith D17/99
- D358,545 S * 5/1995 Price D8/356
- D372,419 S * 8/1996 Ikegami D8/382
- 5,702,845 A * 12/1997 Kawakami et al. 429/224
- D395,815 S * 7/1998 Walters et al. D8/354
- 5,901,930 A * 5/1999 Harrel 248/51
- D428,325 S * 7/2000 van Dreumel et al. D8/354
- D526,885 S * 8/2006 Kelleghan D8/356
- D559,080 S * 1/2008 Boote D8/354
- D568,722 S * 5/2008 King D8/354
- D587,101 S * 2/2009 Morgan D8/356
- D587,102 S * 2/2009 Morgan D8/356
- D597,403 S * 8/2009 Ho et al. D8/396
- D613,412 S * 4/2010 DeCarlo D24/186
- D619,940 S * 7/2010 Strang D12/159
- D620,781 S * 8/2010 Weckworth D8/356
- D628,218 S * 11/2010 Tommassini D15/138
- D638,690 S 5/2011 Hoek
- D638,691 S 5/2011 Hoek

(Continued)

Primary Examiner — Cynthia Underwood

(74) *Attorney, Agent, or Firm* — Warner Norcross & Judd LLP

(57) **CLAIM**

The ornamental design for line management device, as shown and described.

DESCRIPTION

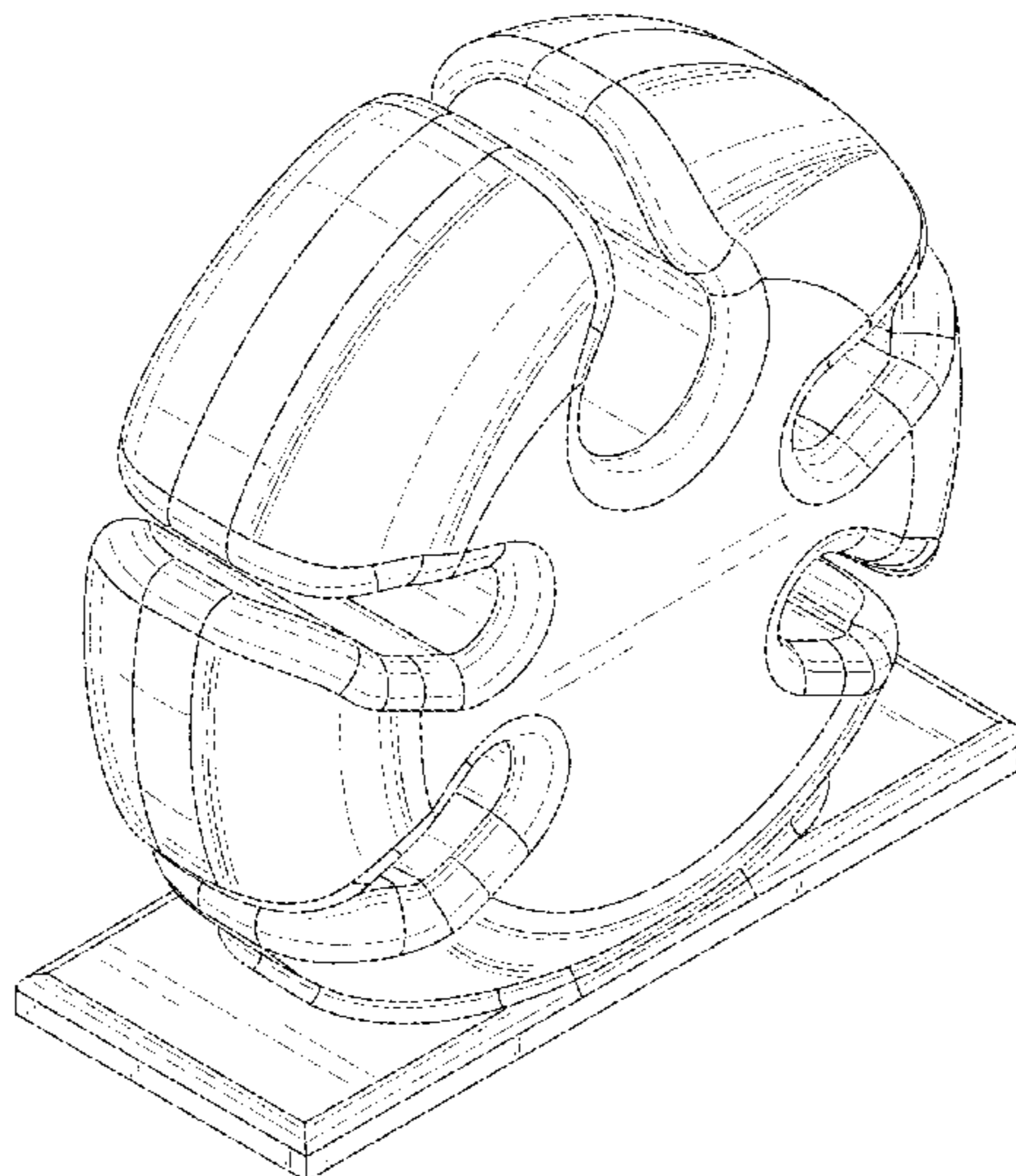
FIG. 1 is a perspective view of a line management device of the present invention;
 FIG. 2 is a top plan view of the line management device of FIG. 1;
 FIG. 3 is a bottom plan view of the line management device of FIG. 1;
 FIG. 4 is a right side view of the line management device of FIG. 1, which is a mirror image of the left side view; and,
 FIG. 5 is a front elevation view of the line management device of FIG. 1 which is a mirror image of the rear elevation view.

1 Claim, 5 Drawing Sheets

(56) **References Cited**

U.S. PATENT DOCUMENTS

- 450,378 A * 4/1891 Robinson 451/461
- 1,342,001 A * 6/1920 Schulte 429/121
- D140,317 S * 2/1945 Allen D8/397
- 2,790,570 A * 4/1957 Hodges et al. 215/260
- 3,123,879 A * 3/1964 Boduroff et al. 403/217
- 3,132,822 A * 5/1964 Arthur 242/613.4
- 3,308,703 A * 3/1967 Sauer 83/676
- 3,363,216 A * 1/1968 Benedetto 439/147
- D308,933 S * 7/1990 Hube et al. D8/356
- 5,027,478 A * 7/1991 Suhr 24/16 R



(56)

References Cited

U.S. PATENT DOCUMENTS

D638,692 S 5/2011 Hoek
D639,145 S 6/2011 Hoek
D639,146 S 6/2011 Hoek
D640,527 S 6/2011 Hoek

D655,598 S * 3/2012 Hsu D8/356
D674,271 S * 1/2013 Rodwin D8/356
D680,419 S * 4/2013 Green et al. D8/354
D691,877 S * 10/2013 Ganski D8/356
D701,448 S * 3/2014 Rodwin D8/356
2011/0147542 A1 6/2011 Hoek

* cited by examiner

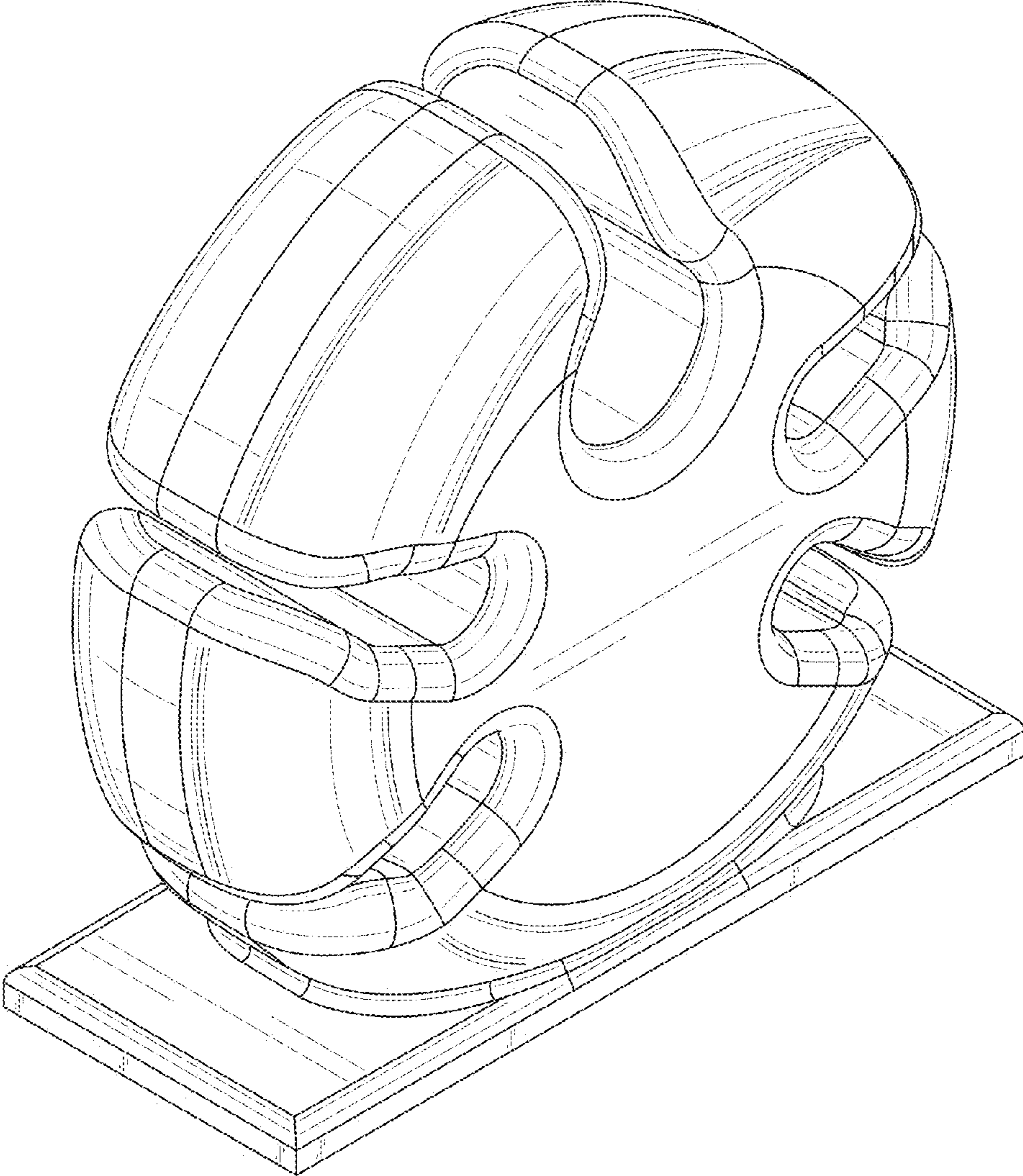


FIG. 1

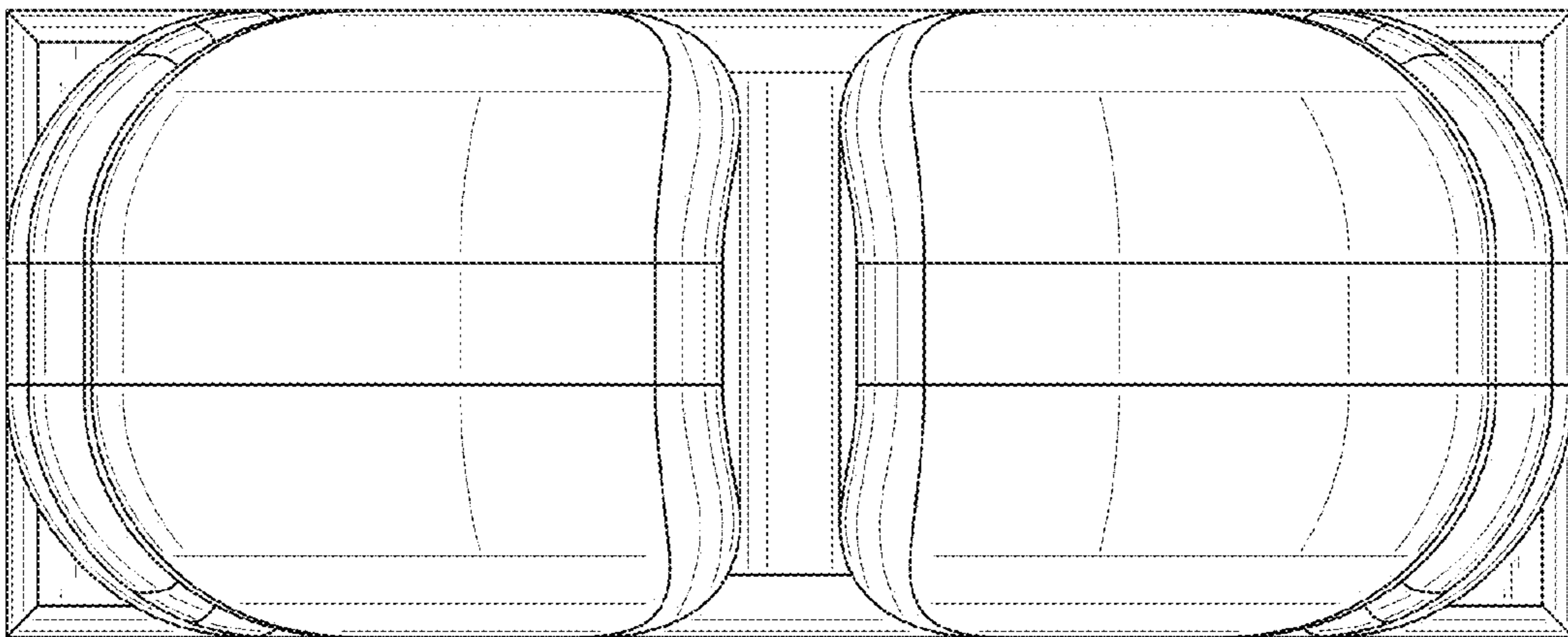


FIG. 2

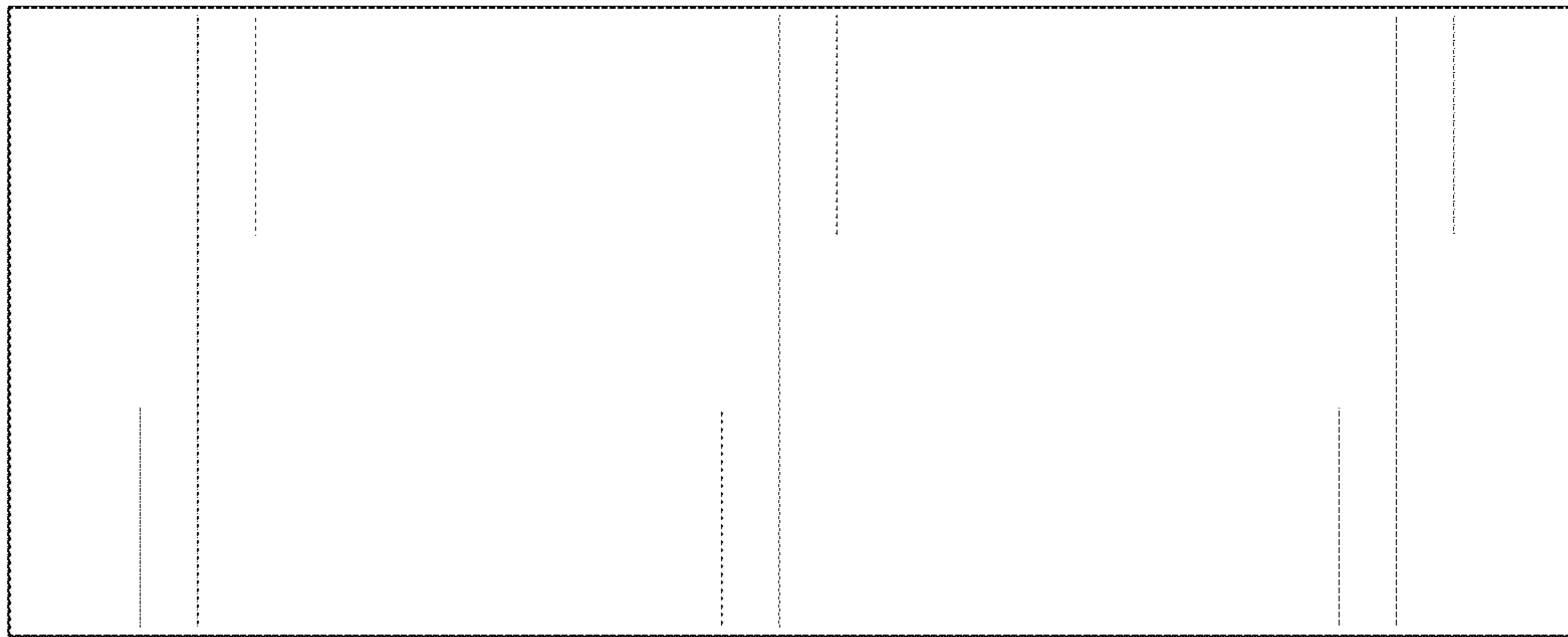


FIG. 3

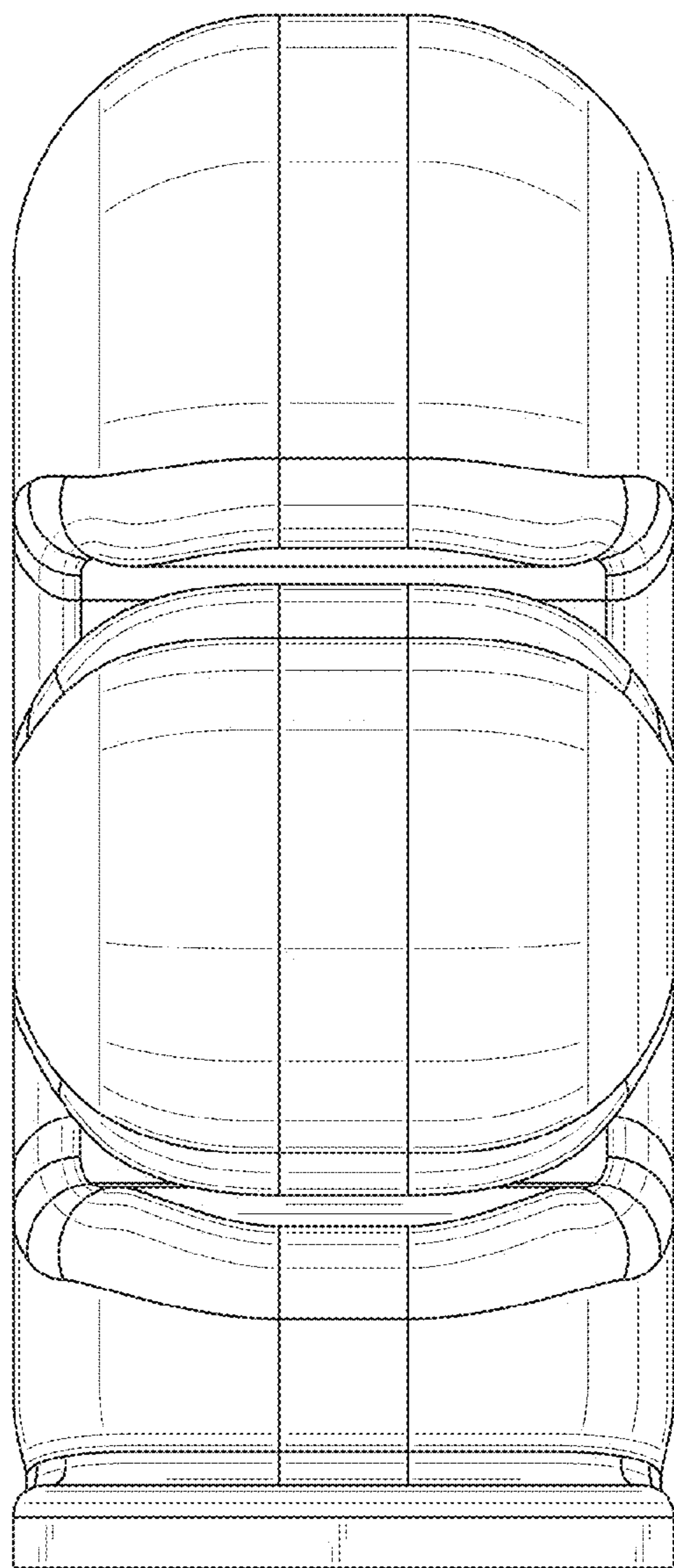


FIG. 4

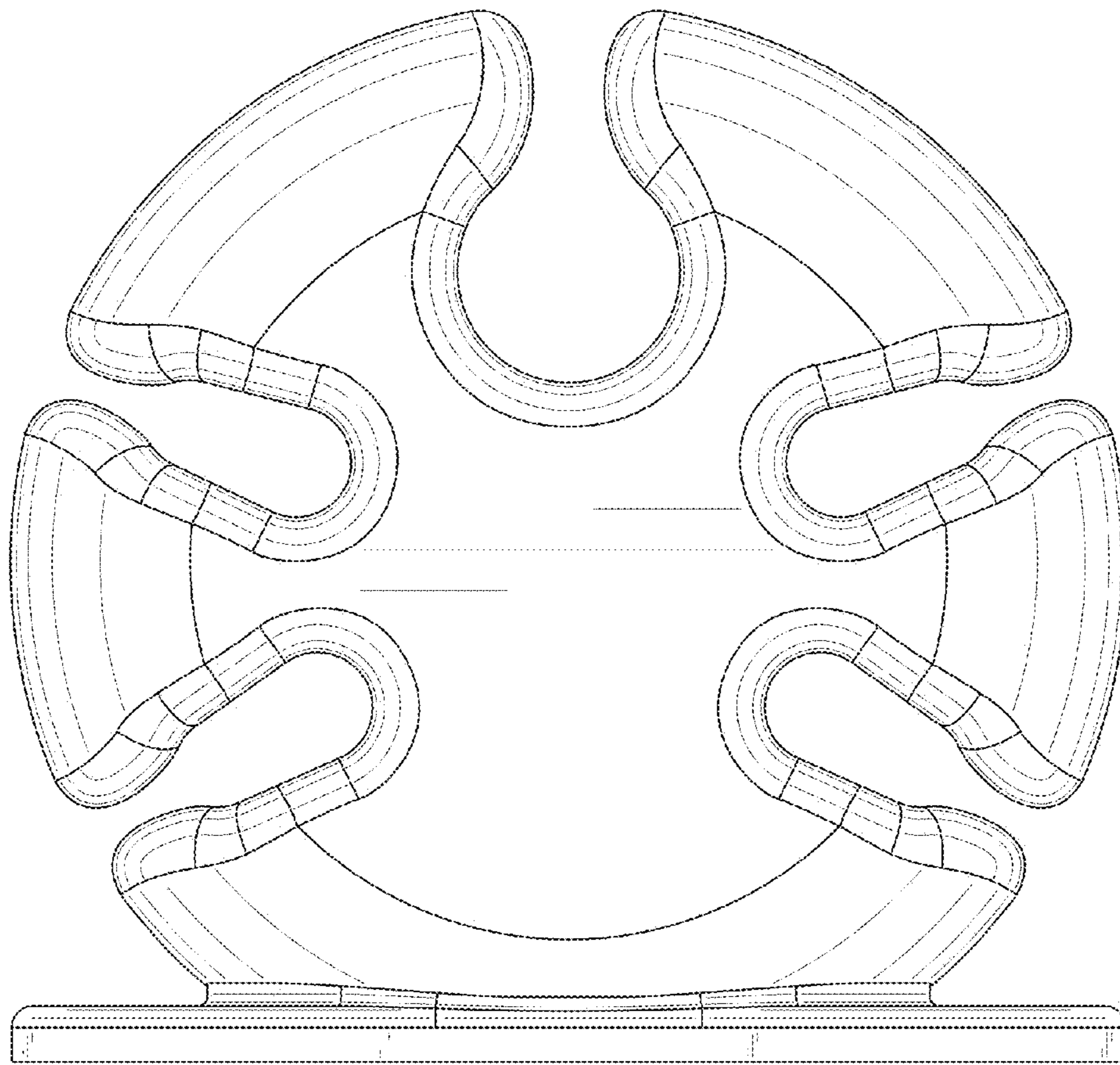


FIG. 5