

US00D719012S

(12) **United States Design Patent**  
**Alexander**

(10) **Patent No.:** **US D719,012 S**

(45) **Date of Patent:** **\*\* Dec. 9, 2014**

(54) **DOOR LOCK**

(71) Applicant: **Harry Alexander**, Dayton, NJ (US)

(72) Inventor: **Harry Alexander**, Dayton, NJ (US)

(\*\*) Term: **14 Years**

(21) Appl. No.: **29/467,348**

(22) Filed: **Sep. 18, 2013**

(51) **LOC (10) Cl.** ..... **08-07**

(52) **U.S. Cl.**  
USPC ..... **D8/346**

(58) **Field of Classification Search**

CPC ..... E05B 1/00; E05B 9/00; E05B 9/04;  
E05B 9/08; E05B 67/02; E05B 17/0004  
USPC ..... D8/330, 331, 343, 346, 398, 394, 449;  
70/57, 57.1, 51-56, 416, 485, 486,  
70/445, 419, 431, 422, 158, DIG. 26,  
70/20-30, 93, 160; 220/280, 265, 277

See application file for complete search history.

(56) **References Cited**

**U.S. PATENT DOCUMENTS**

4,534,190 A \* 8/1985 Stanich ..... 70/54  
4,576,022 A \* 3/1986 Gamble ..... 70/55  
5,203,187 A \* 4/1993 Kane ..... 70/455  
D391,469 S \* 3/1998 Foushee ..... D8/346  
D406,045 S \* 2/1999 Turner ..... D8/346

D455,638 S \* 4/2002 Livingston et al. .... D8/346  
6,439,008 B1 \* 8/2002 Keil ..... 70/56  
D569,226 S \* 5/2008 Brewster et al. .... D8/346  
D578,376 S \* 10/2008 Barton ..... D8/346  
7,926,215 B2 \* 4/2011 Riker et al. .... 40/654.01  
D667,287 S \* 9/2012 Yang ..... D8/346

\* cited by examiner

*Primary Examiner* — Prabhakar Deshmukh

(74) *Attorney, Agent, or Firm* — Porzio, Bromberg & Newman, P.C.

(57) **CLAIM**

I claim, the ornamental design for a door lock, as shown and described.

**DESCRIPTION**

FIG. 1 is a perspective view of a door lock showing my new design;

FIG. 2 is a front elevational view thereof;

FIG. 3 is a rear elevational view thereof;

FIG. 4 is a left side view thereof;

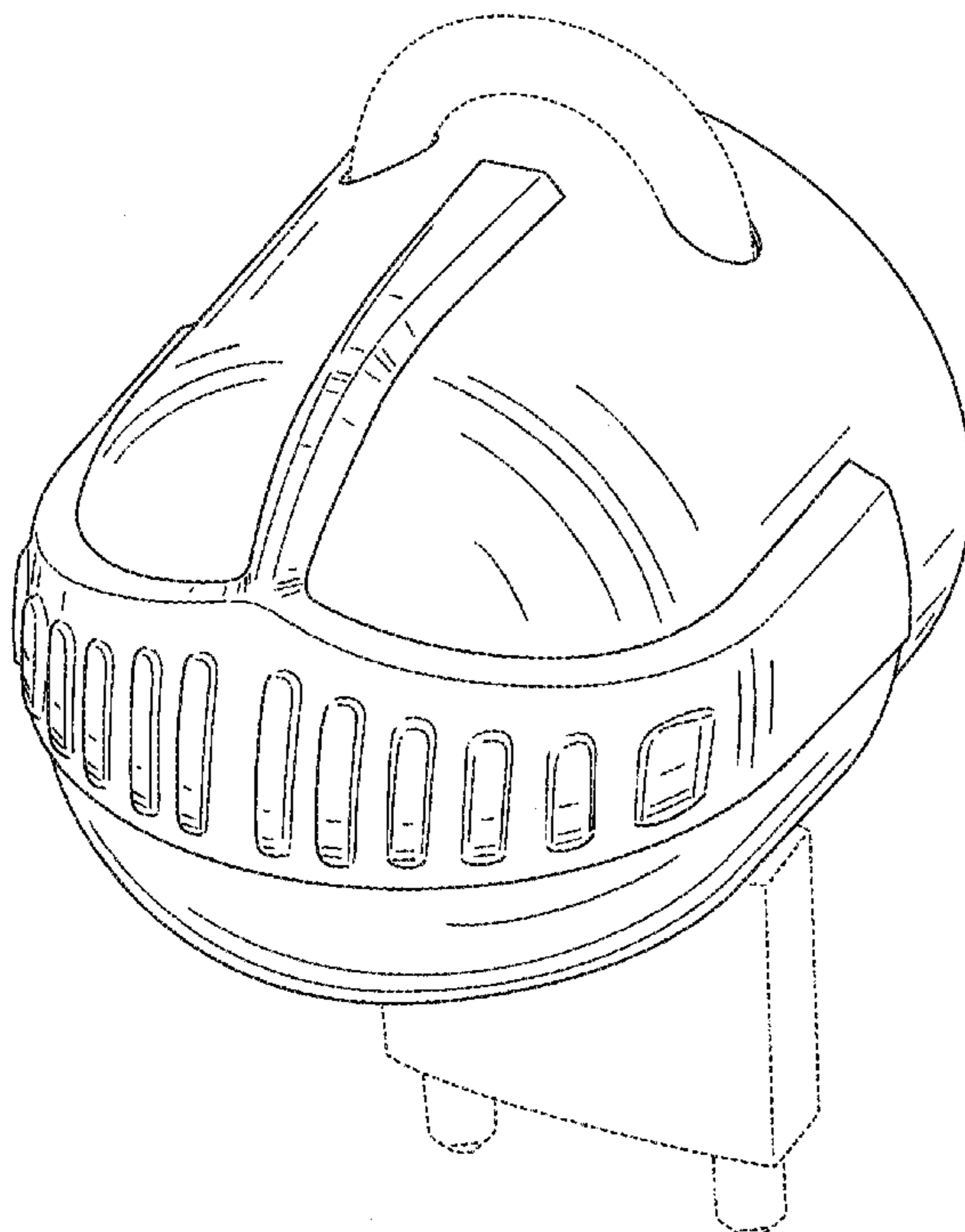
FIG. 5 is a right side view thereof;

FIG. 6 is a top plan view thereof; and,

FIG. 7 is a bottom plan view thereof.

The broken lines environment is for illustrative purpose only and forms no part the claimed design.

**1 Claim, 7 Drawing Sheets**



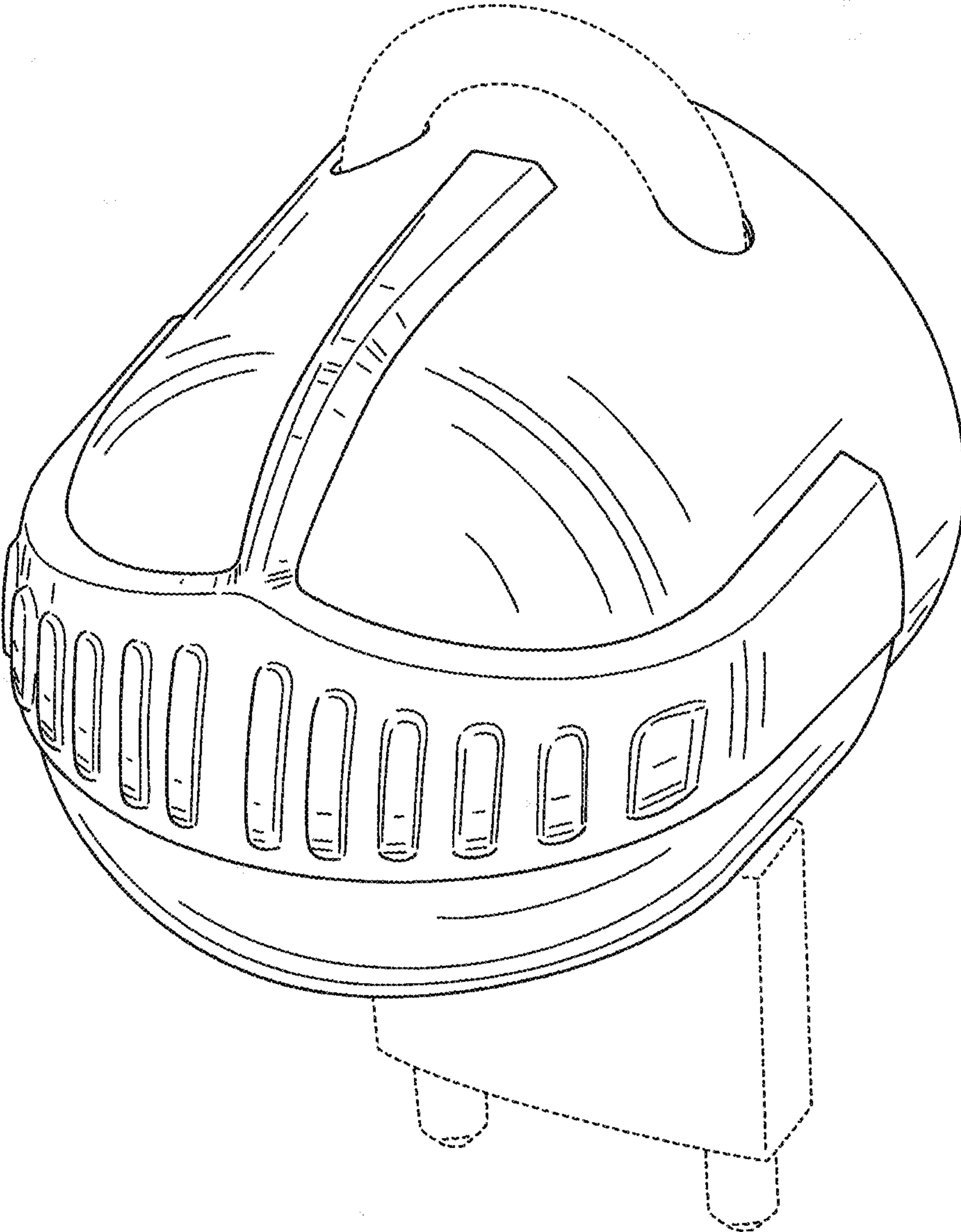


FIG. 1

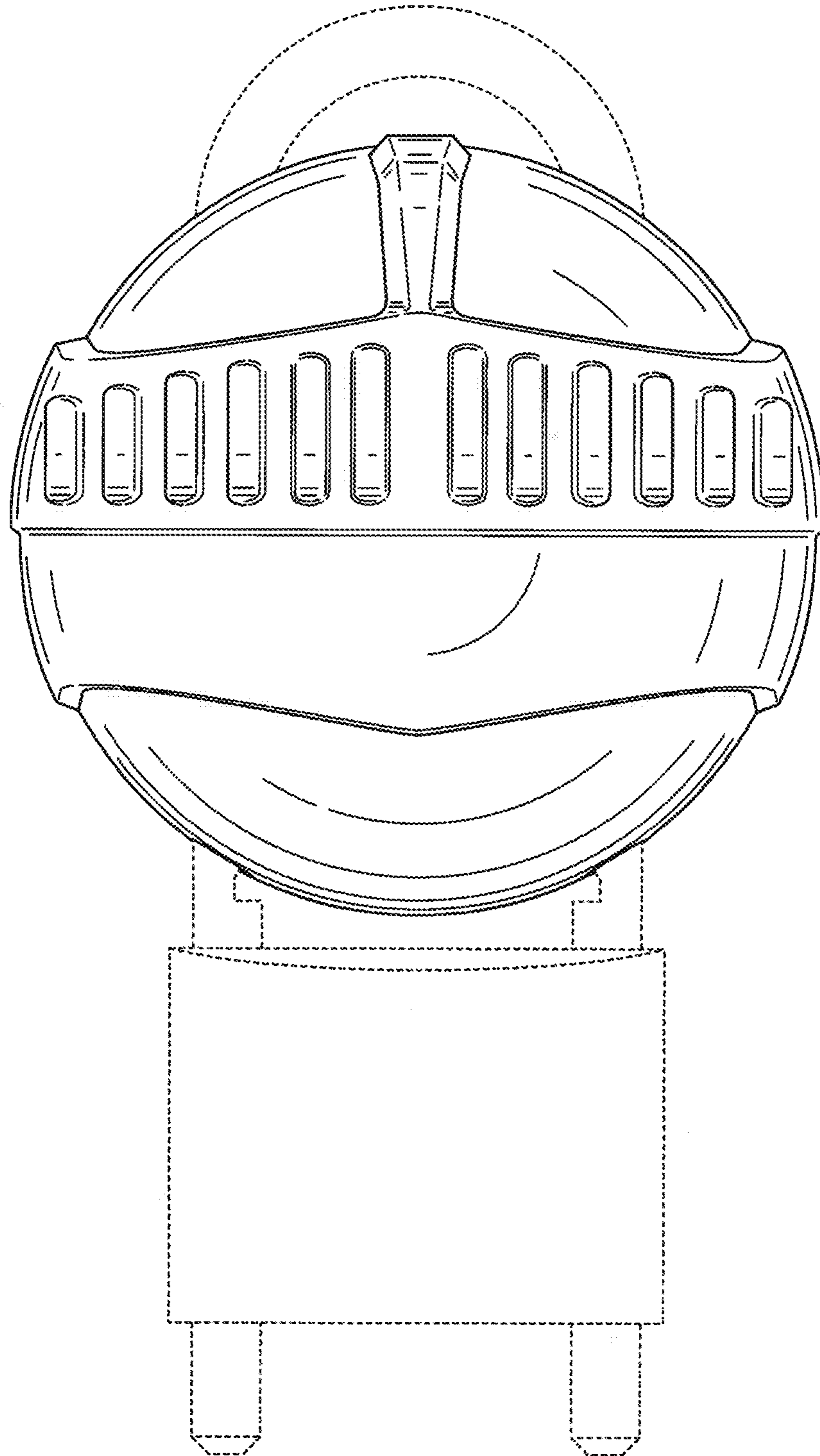


FIG. 2

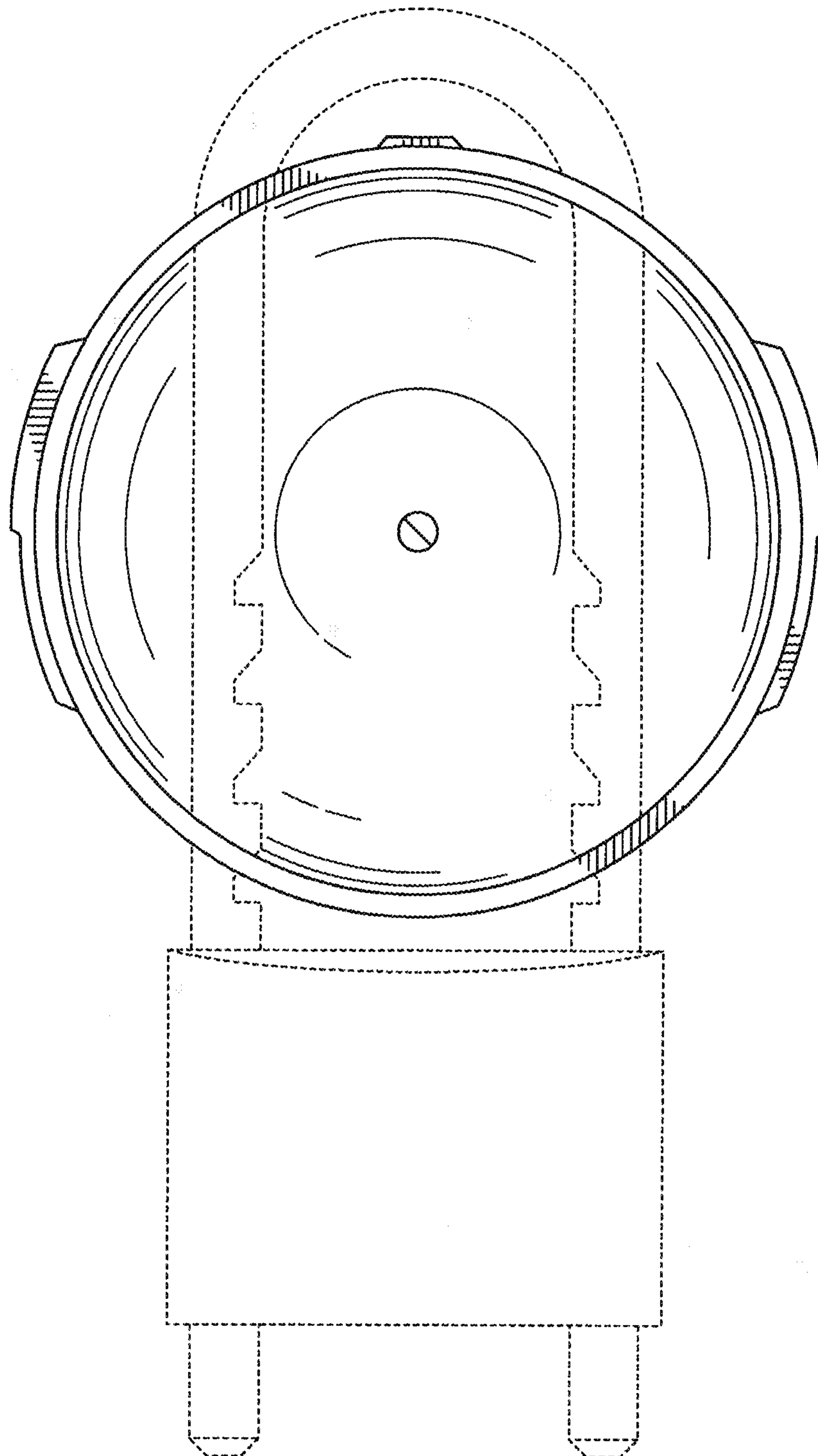


FIG. 3

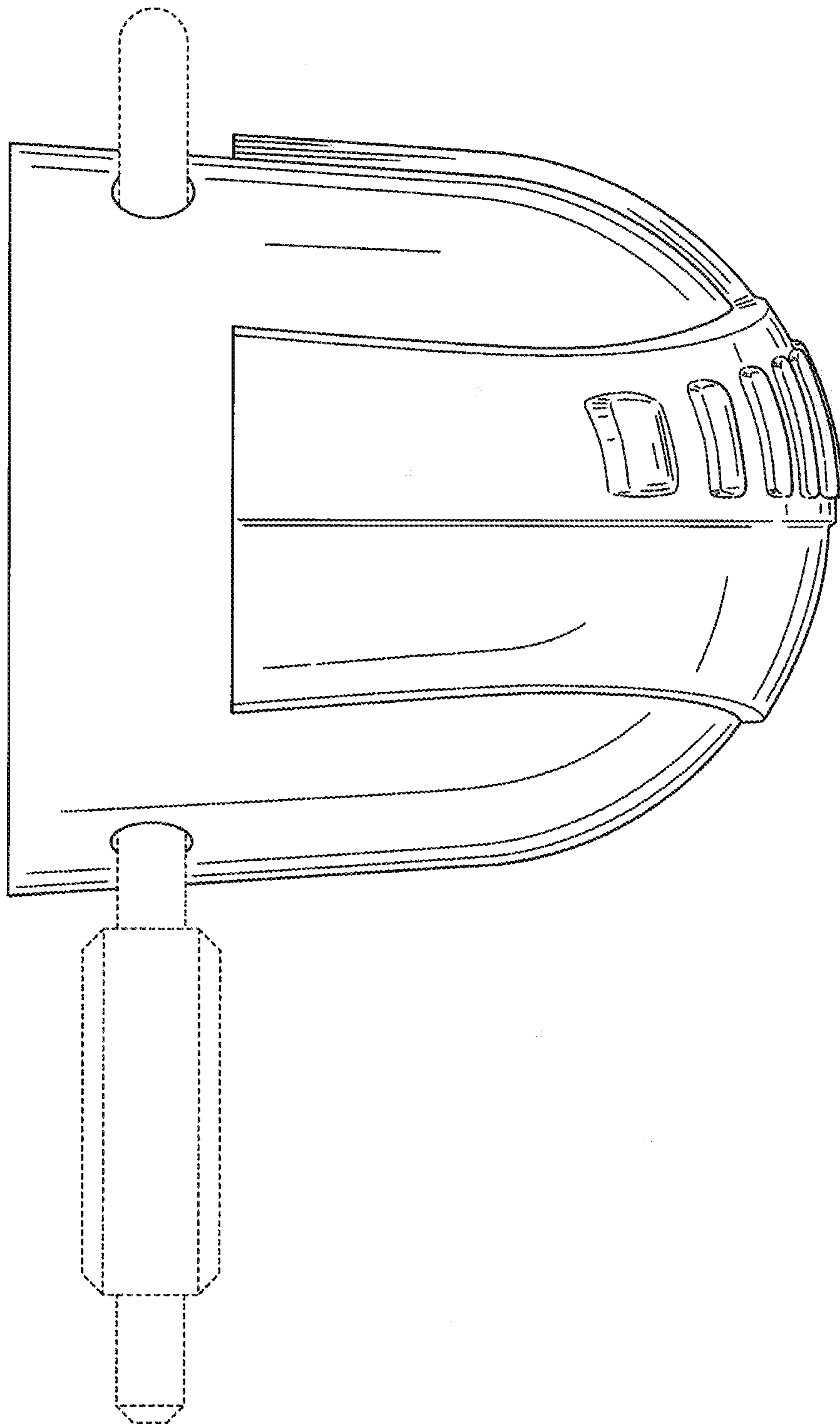


FIG. 4

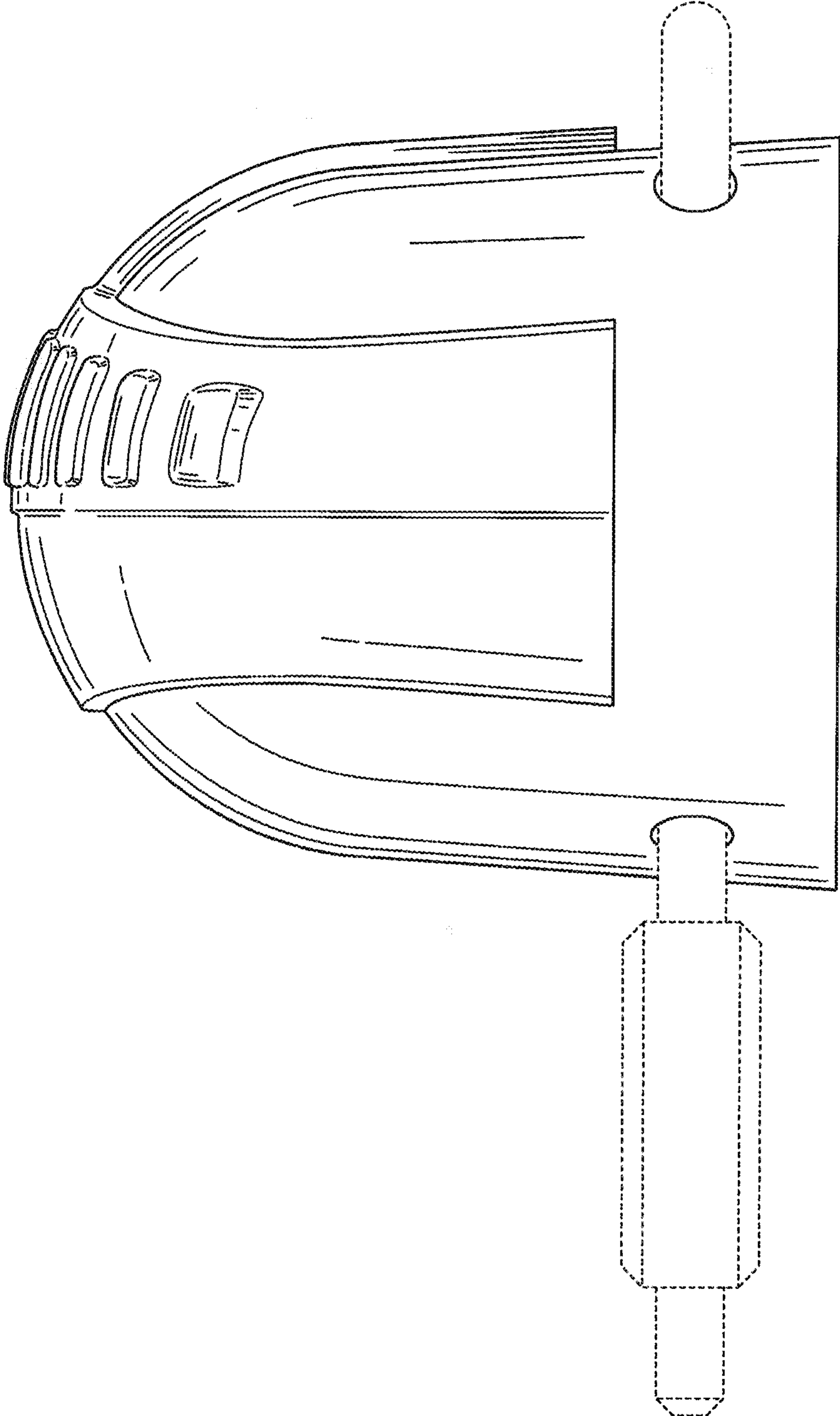


FIG. 5

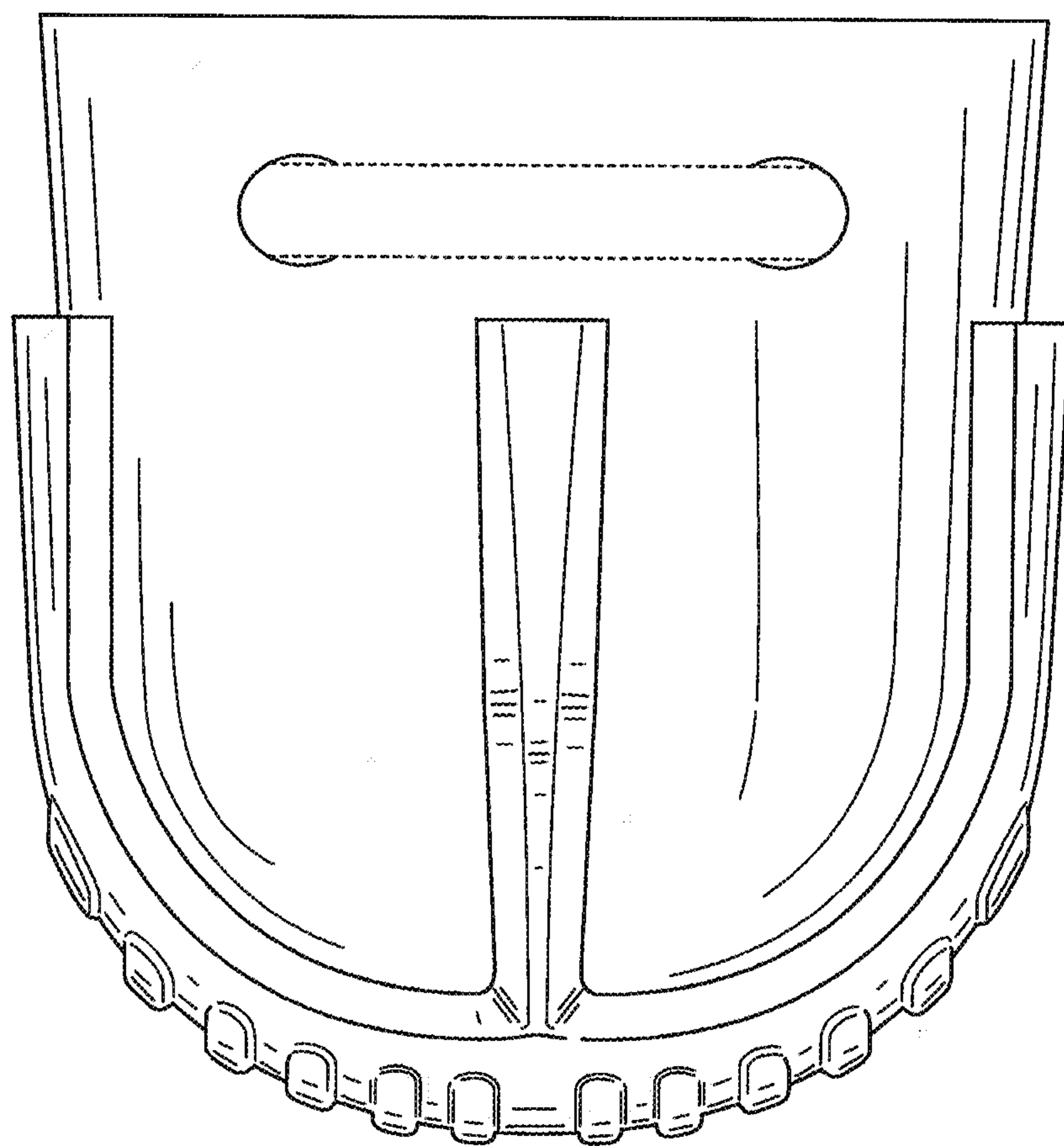
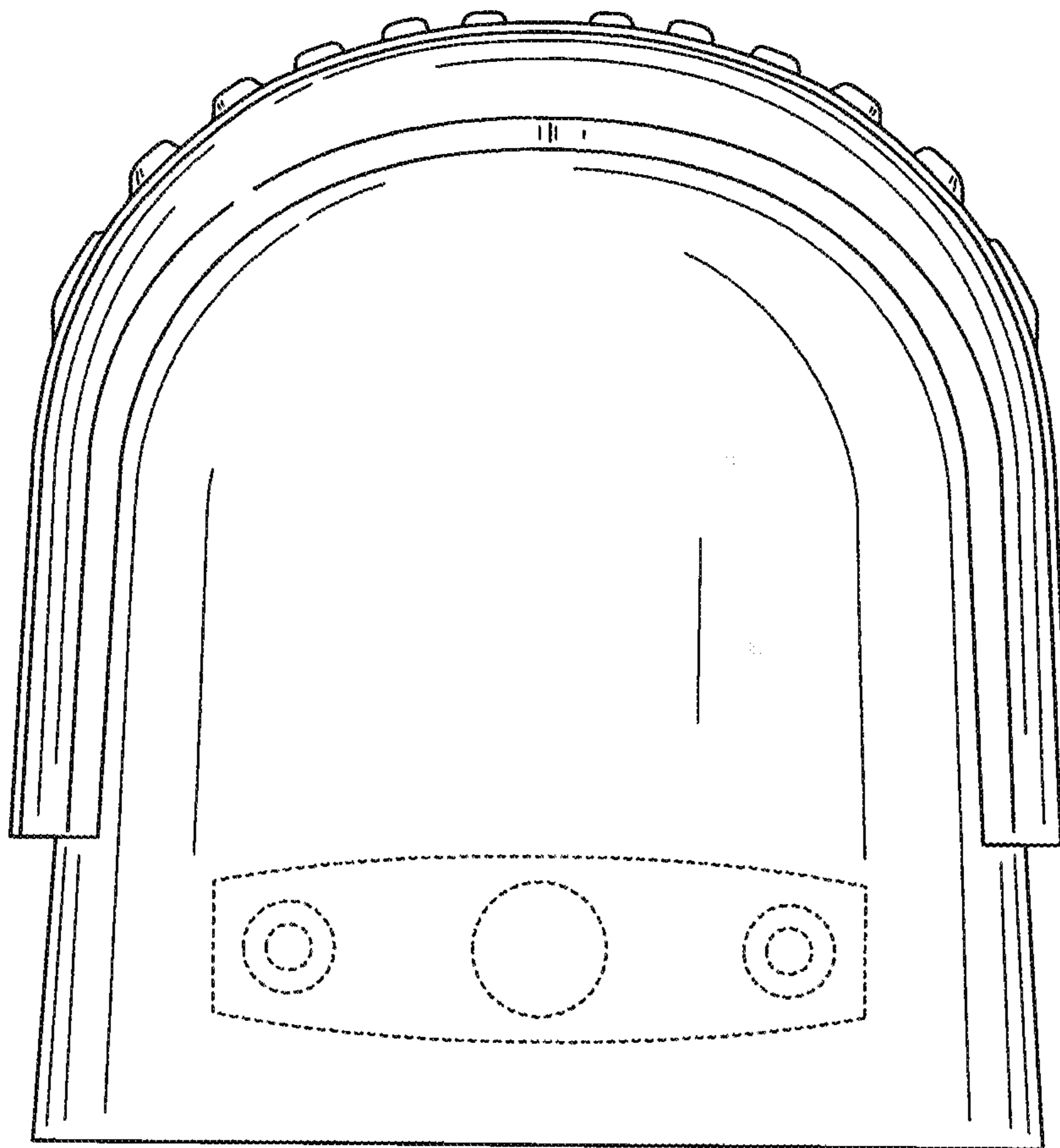


FIG. 6



**FIG. 7**