



US00D719011S

(12) **United States Design Patent**
Russo et al.

(10) **Patent No.:** **US D719,011 S**
(45) **Date of Patent:** **** Dec. 9, 2014**

(54) **HINGE COVER**

FOREIGN PATENT DOCUMENTS

(71) Applicant: **Barrette Outdoor Living, Inc.**,
Middleburg Heights, OH (US)

WO 9015912 12/1990
WO 2012174039 A1 12/2012

(72) Inventors: **Daniel Russo**, Brecksville, OH (US);
Mark DeZolt, Lakewood, OH (US)

OTHER PUBLICATIONS

Poly Vinyl Creations Fence Manufacturer re Tru Close Regular—
Standard for gates up to 66 lbs/ 30 kg; [http://www.polyvinylc.com/
DanDTechnolgoeisDetails.php?ID=17](http://www.polyvinylc.com/DanDTechnolgoeisDetails.php?ID=17)[Nov. 7, 2013 5:33:35 PM].

(73) Assignee: **Barrette Outdoor Living, Inc.**,
Middleburg Heights, OH (US)

Primary Examiner — Cynthia Underwood

(**) Term: **14 Years**

(74) *Attorney, Agent, or Firm* — Luedeka Neely Group, PC

(21) Appl. No.: **29/475,793**

(22) Filed: **Dec. 6, 2013**

(57) **CLAIM**

(51) **LOC (10) Cl.** **08-06**

The ornamental design for a hinge cover, as shown and
described.

(52) **U.S. Cl.**

USPC **D8/323**; D8/328

(58) **Field of Classification Search**

USPC D8/323, 327, 328, 329; D23/303;
4/236, 240; 16/225, 250, 682, 309,
16/235, 275, 244, 379, 390, 430, 241, 238,
16/245, 236, 243, 242, 385, 331, 274
See application file for complete search history.

DESCRIPTION

FIG. 1 is a front perspective view of a hinge cover shown
reduced in scale for ease of illustration and mounted onto a
fence post and gate;

(56) **References Cited**

U.S. PATENT DOCUMENTS

924,422 A	6/1909	Bommer	
1,127,688 A	2/1915	Smith	
2,248,493 A	7/1941	Curtiss, Jr.	
2,777,157 A	1/1957	Burke	
3,748,688 A *	7/1973	Berkowitz	16/247
4,570,291 A	2/1986	Smith et al.	
4,574,715 A	3/1986	Dietrich, Sr. et al.	
4,631,777 A *	12/1986	Takimoto	16/315
5,191,729 A	3/1993	Verseef	
D348,201 S *	6/1994	Ferrari	D8/323
D395,590 S *	6/1998	Finkelstein et al.	D8/323

FIG. 2 is a front perspective view of the hinge cover of FIG. 1;

FIG. 3 is another front perspective view of the hinge cover of FIG. 1;

FIG. 4 is a front plan view of the hinge cover of FIG. 1;

FIG. 5 is a rear plan view of the hinge cover of FIG. 1;

FIG. 6 is a top plan view of the hinge cover of FIG. 1;

FIG. 7 is a bottom plan view of the hinge cover of FIG. 1

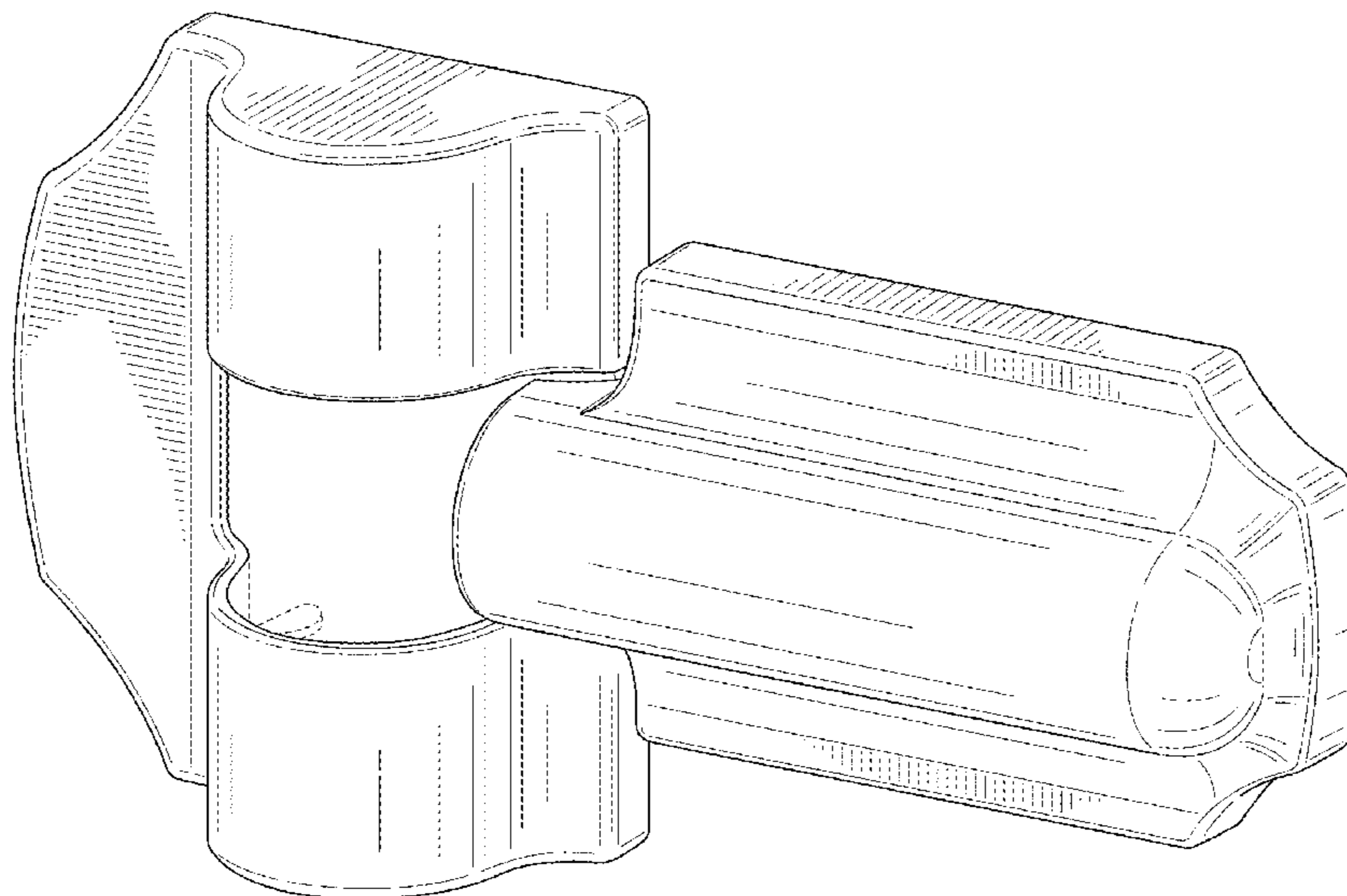
FIG. 8 is a left end view of the hinge cover of FIG. 1; and,

FIG. 9 is a right end view of the hinge cover of FIG. 1.

The broken lines in the drawings are included for the purpose
of illustrating unclaimed features and form no part of the
claimed design.

(Continued)

1 Claim, 8 Drawing Sheets



(56)

References Cited

U.S. PATENT DOCUMENTS

5,991,975	A	11/1999	Baer				
6,178,694	B1	1/2001	Wagnitz				
6,401,298	B1 *	6/2002	Lenz	16/335			
6,557,210	B2 *	5/2003	Kincaid	16/250			
6,752,438	B2	6/2004	DeSouza				
7,584,523	B1 *	9/2009	Finkelstein et al.	16/260			
D627,690	S *	11/2010	Madden	D12/126			
7,870,642	B1 *	1/2011	Finkelstein et al.	16/260			
7,945,996	B2 *	5/2011	Gunderson	16/312			
D645,725	S *	9/2011	Katz et al.	D8/327			
8,020,253	B1 *	9/2011	Finkelstein et al.	16/250			
D684,839	S *	6/2013	Oshima	D8/323			
8,534,625	B2	9/2013	Heath et al.				
D700,036	S *	2/2014	Oshima	D8/323			
2003/0200623	A1	10/2003	Hung				
2004/0093689	A1	5/2004	Sosa et al.				
2008/0179580	A1	7/2008	McGinness et al.				
2011/0099754	A1	5/2011	Stull				

* cited by examiner

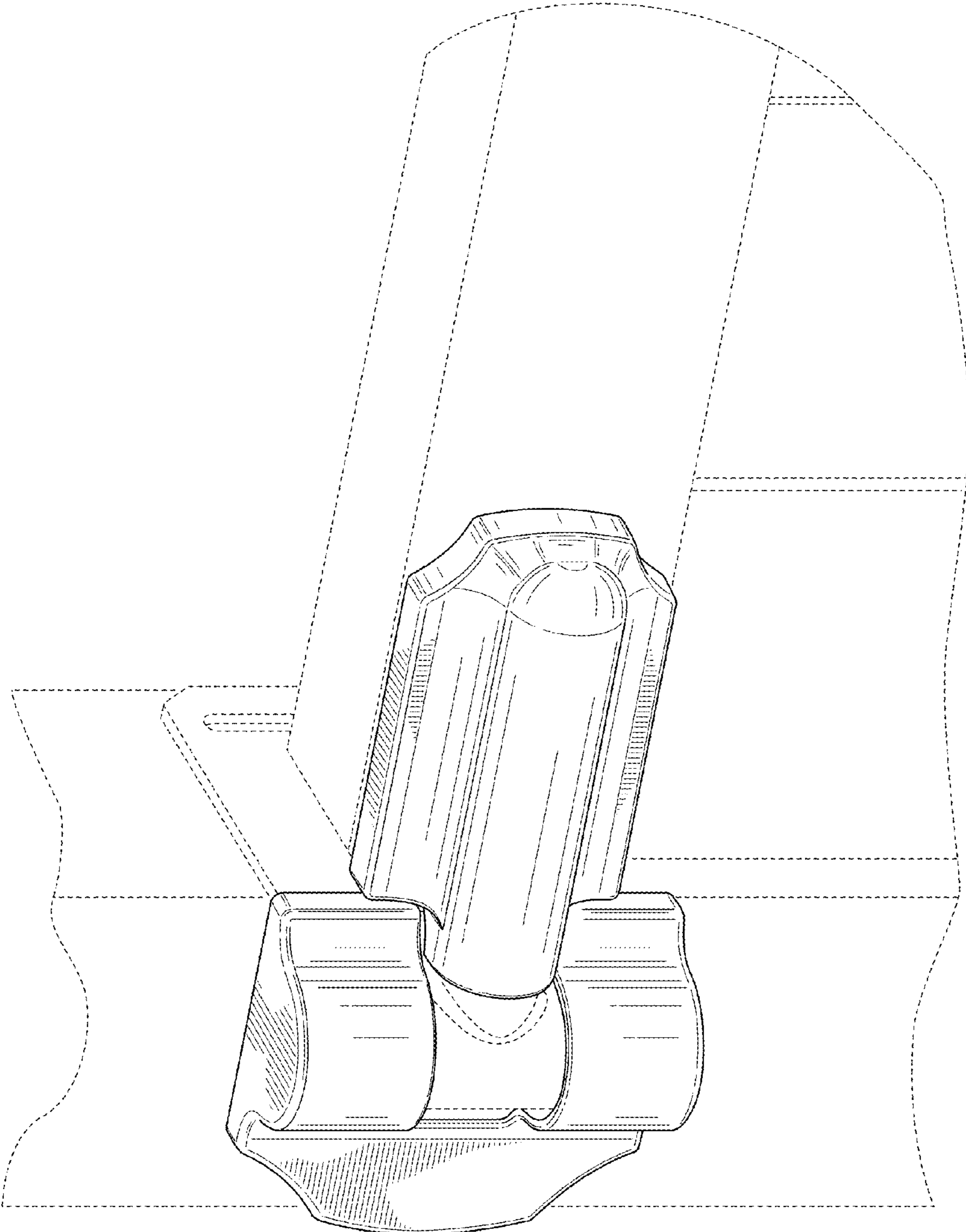


FIG. 1

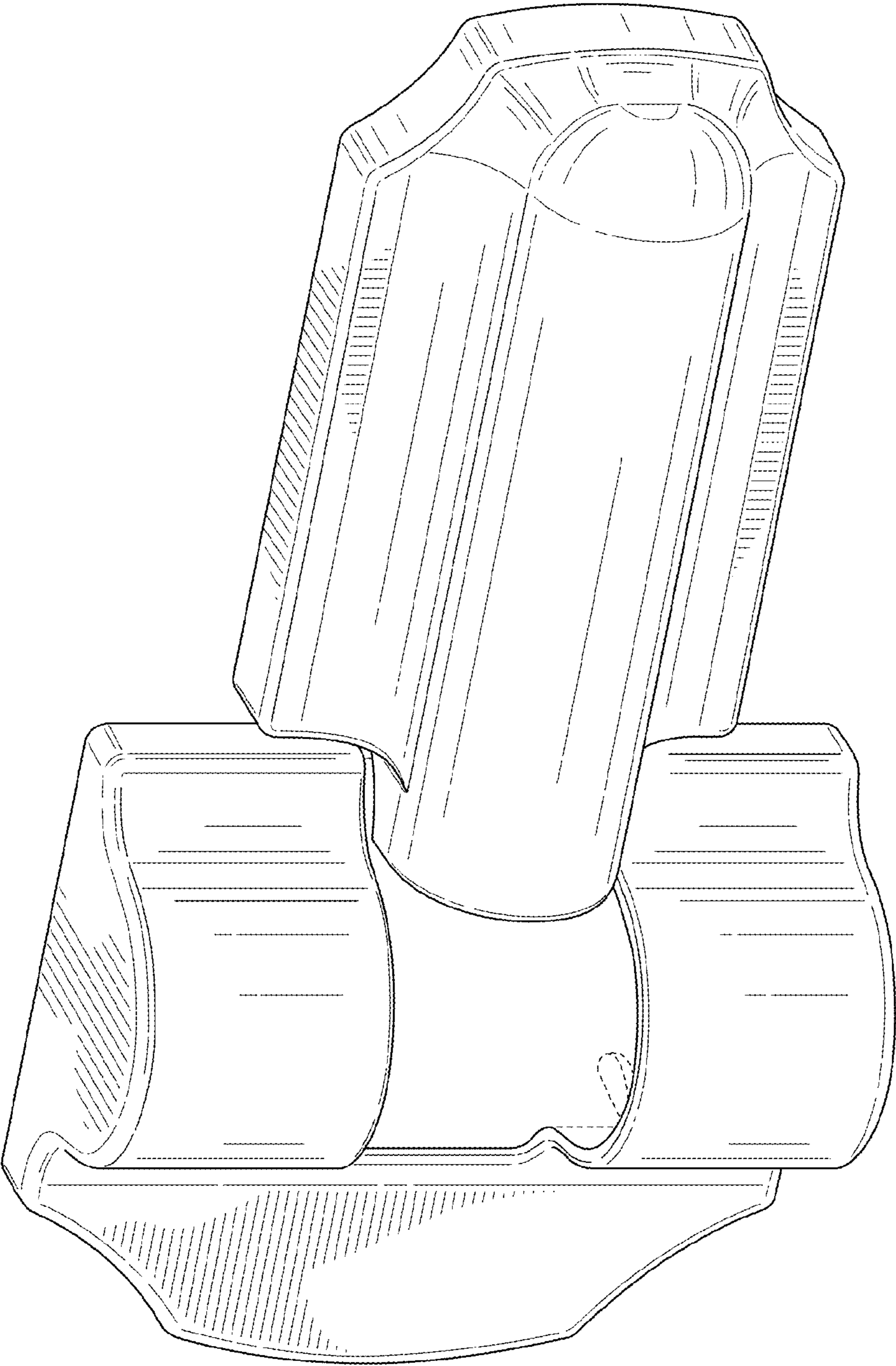


FIG. 2

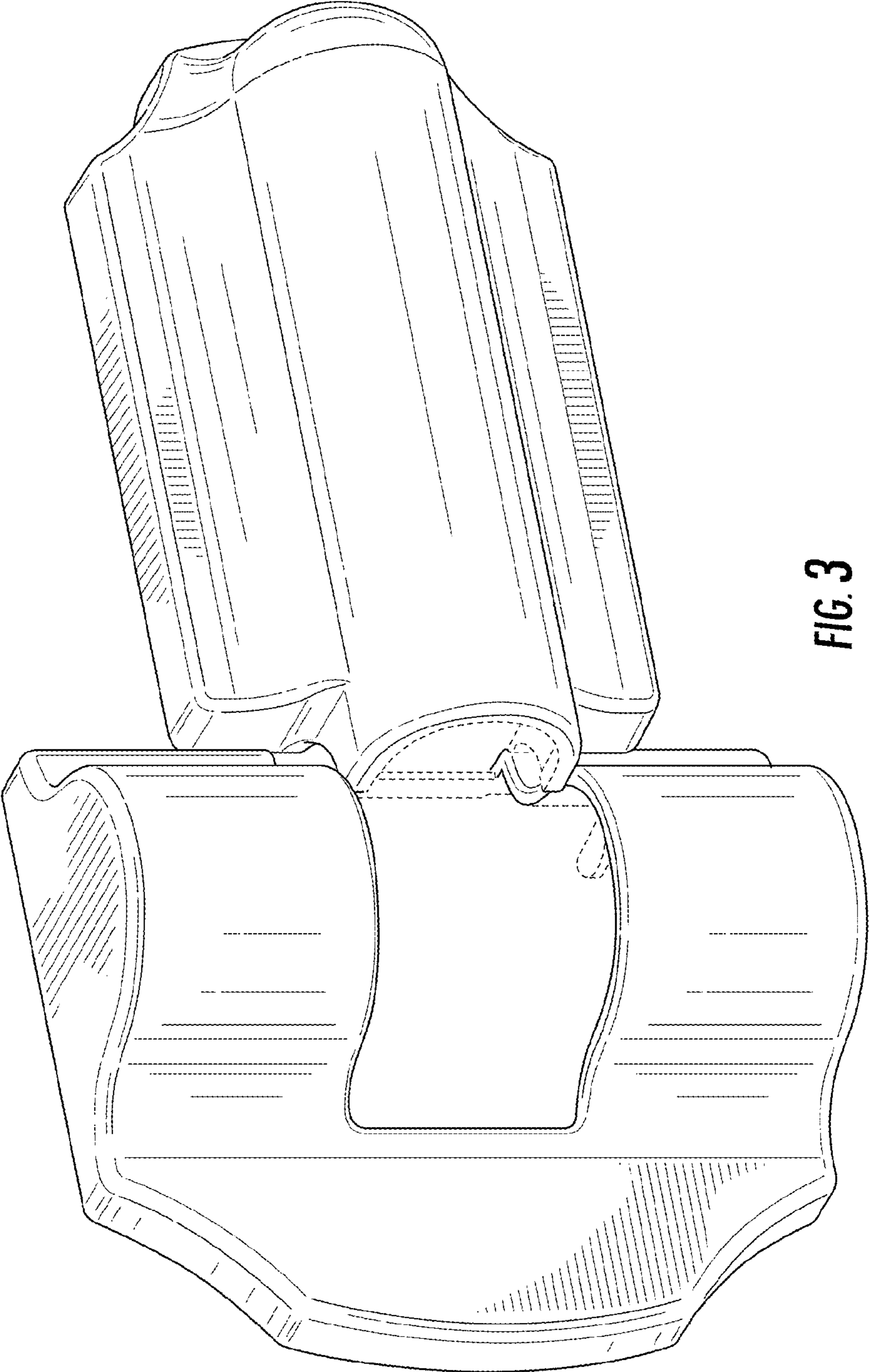


FIG. 3

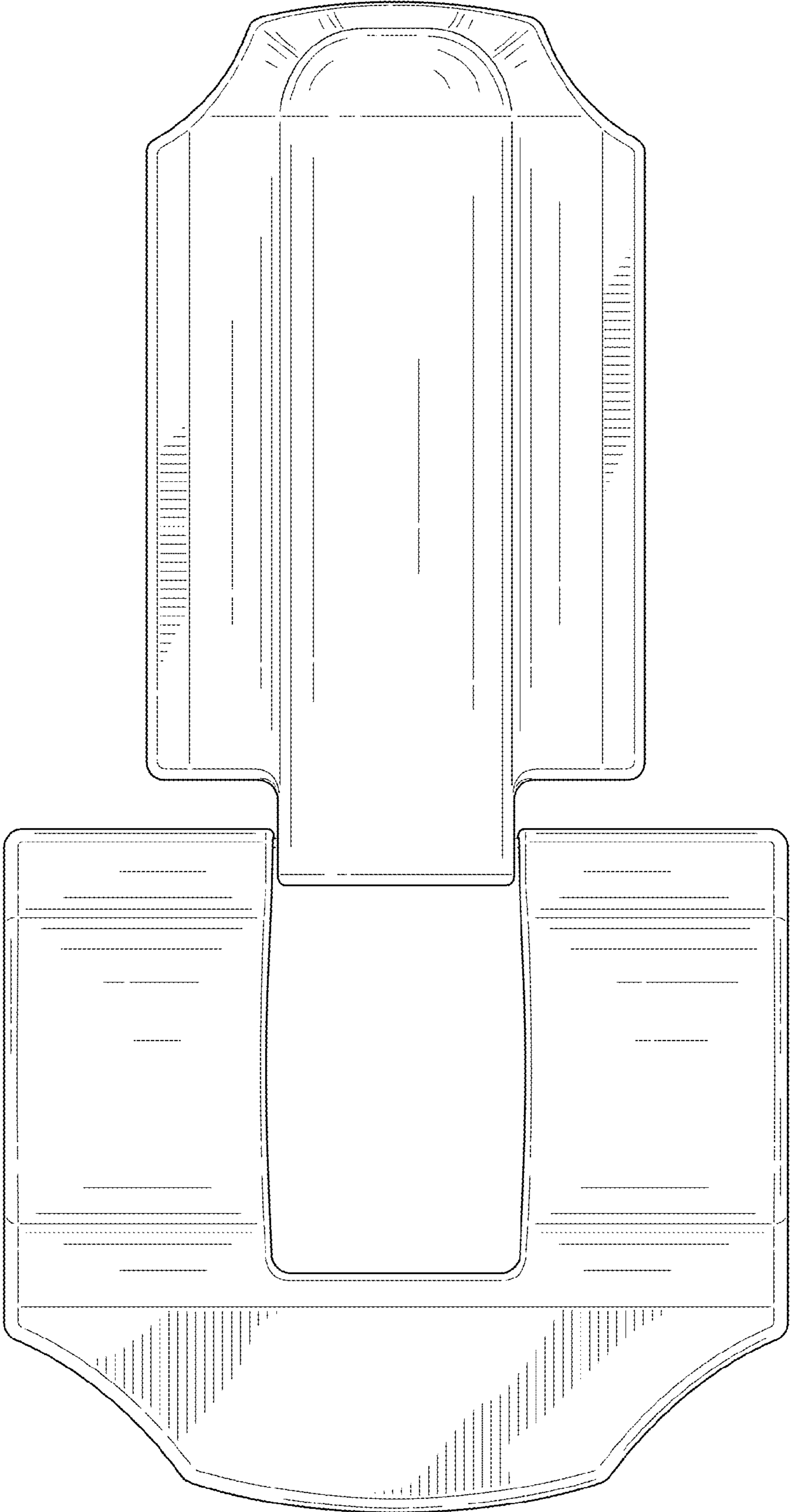


FIG. 4

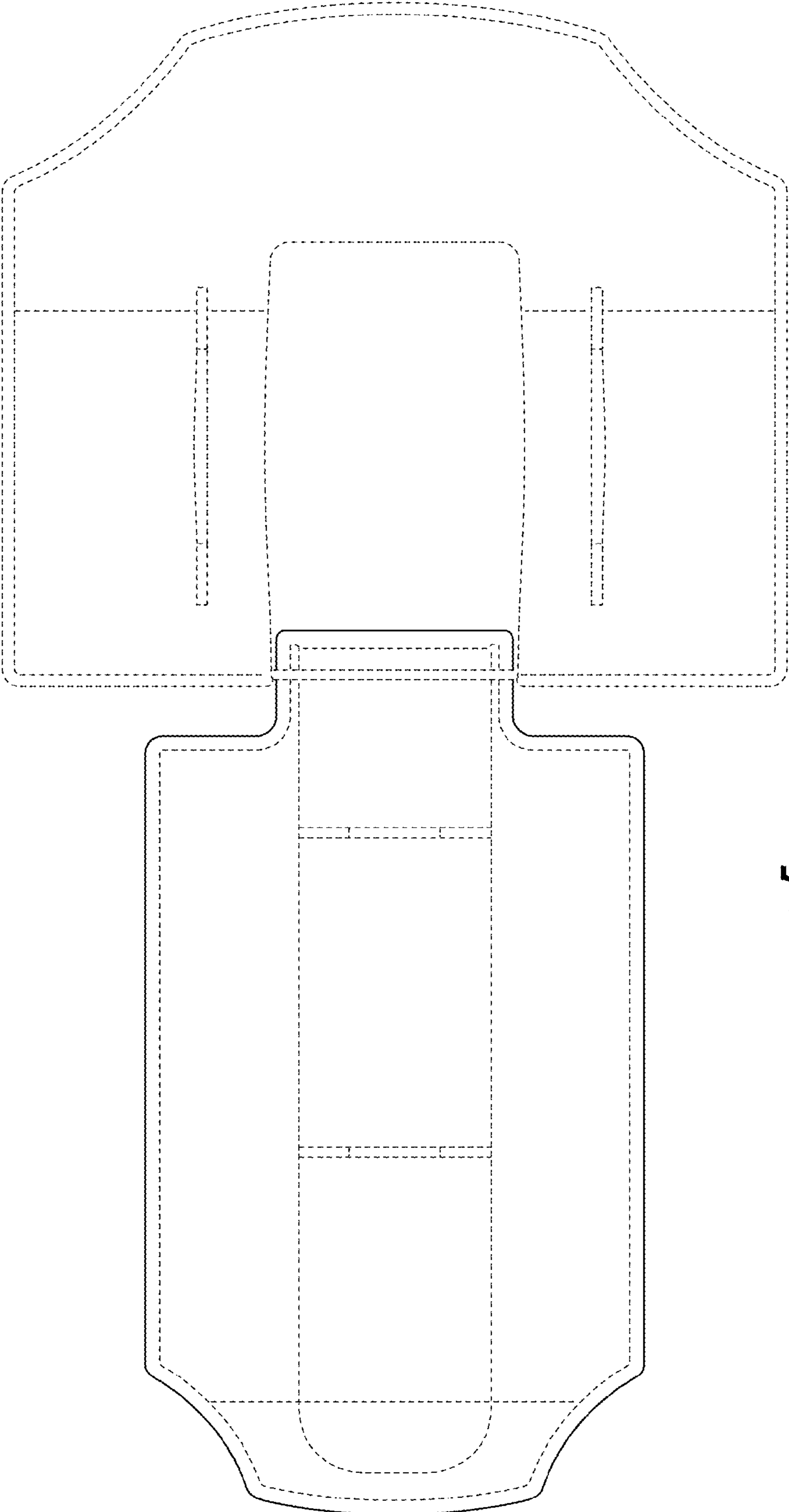


FIG. 5

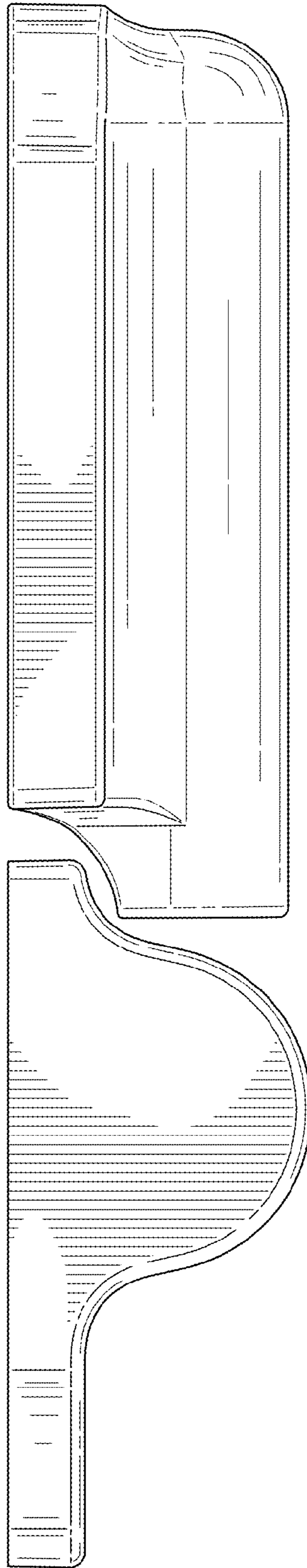


FIG. 6

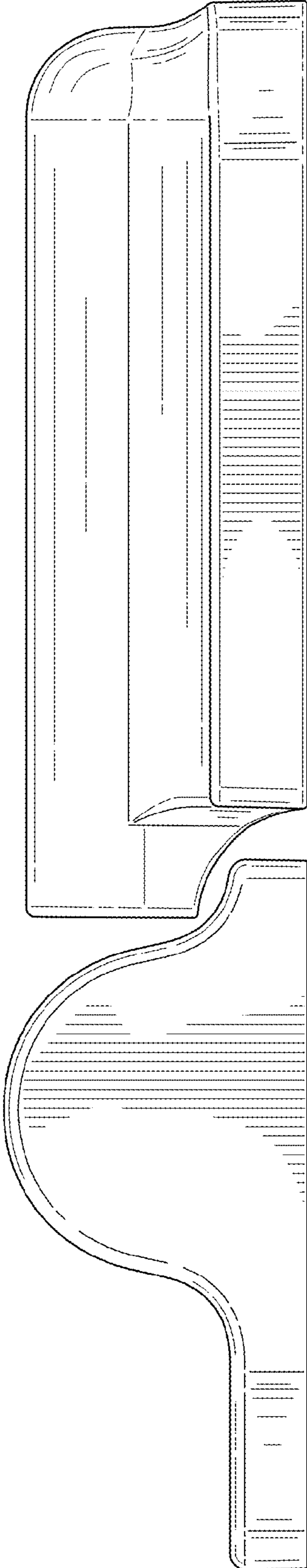


FIG. 7

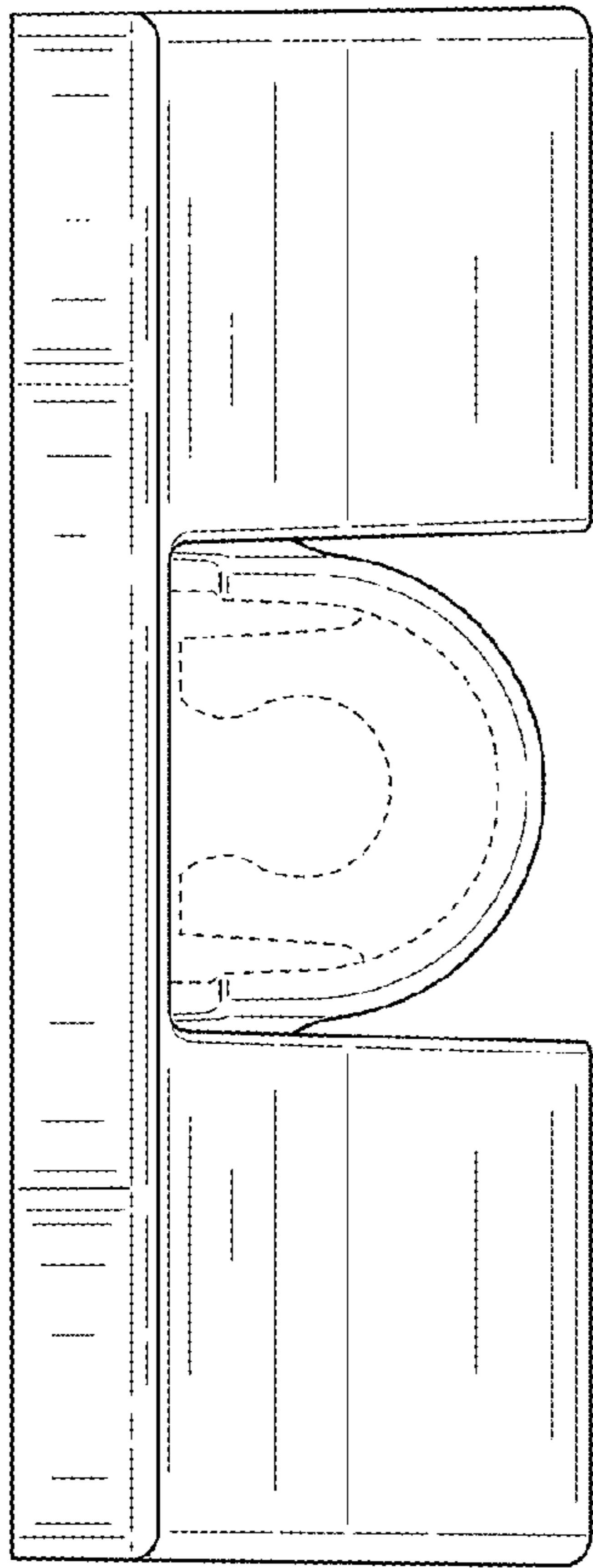


FIG. 8

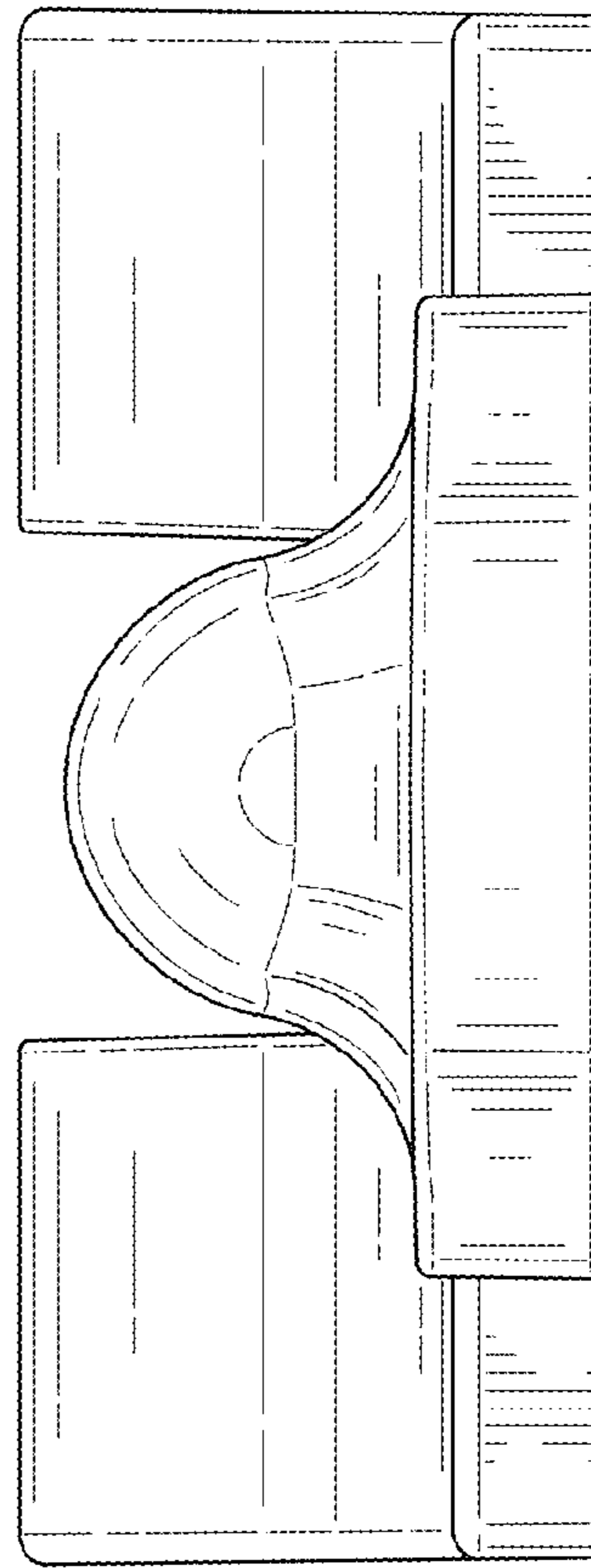


FIG. 9