



US00D719005S

(12) **United States Design Patent**
Goddard

(10) **Patent No.:** **US D719,005 S**
(45) **Date of Patent:** **** Dec. 9, 2014**

- (54) **MULTI-PURPOSE HITCH TOOL**
- (71) Applicant: **Joseph Goddard**, Gaylord, MI (US)
- (72) Inventor: **Joseph Goddard**, Gaylord, MI (US)
- (**) Term: **14 Years**
- (21) Appl. No.: **29/467,021**
- (22) Filed: **Sep. 13, 2013**
- (51) **LOC (10) Cl.** **08-05**
- (52) **U.S. Cl.**
USPC **D8/105**
- (58) **Field of Classification Search**
USPC D8/4, 5, 14, 16, 18, 19, 20-29, 33, 34,
D8/38-43, 51, 52, 55, 57, 75, 77, 81-87,
D8/98, 99, 104-107, 354, 356, 358, 360.1;
7/107, 128, 151-166, 143-147;
30/151, 359, 366; D3/24, 25, 207-208,
D3/210, 228; D10/46.2, 62; 362/119;
206/38, 232, 234; 81/3.09, 437, 440,
81/19, 20, 26; D7/368, 665, 669;
D27/163, 167, 172, 181, 194, 195;
15/22.2, 104.03, 104.001, 104.04,
15/104.05, 104.06, 104.066, 105, 111;
D4/116, 121, 199, 138; 280/507
See application file for complete search history.

(56) **References Cited**

U.S. PATENT DOCUMENTS

880,855	A	3/1908	Barrell	
1,682,694	A *	8/1928	Losey	7/146
1,776,277	A	9/1930	Battocletti	
3,582,140	A	6/1971	Kaufman et al.	
3,629,883	A *	12/1971	Norman	7/170
4,310,942	A	1/1982	Krape	
4,353,143	A	10/1982	Beaudoin et al.	
D300,504	S *	4/1989	Tsuji	D8/77
4,825,597	A	5/1989	Matechuk	
D311,482	S *	10/1990	Morton	D8/51
D360,816	S *	8/1995	Brown	D8/106

5,479,673	A	1/1996	Carton	
D413,781	S *	9/1999	Wong	D8/81
D429,987	S *	8/2000	Hung	D8/105
D451,357	S *	12/2001	Tseng	D8/105
D465,929	S	11/2002	Thomas et al.	
D473,717	S	4/2003	Park	
D520,568	S *	5/2006	DeBoer et al.	D8/75
D521,825	S *	5/2006	Johnson	D8/26
7,100,230	B2 *	9/2006	Hillenbrand	7/156
D542,541	S	5/2007	Lowsky, Jr.	
D566,509	S *	4/2008	Vanderbeek	D8/75

(Continued)

Primary Examiner — Susan Bennett Hattan

Assistant Examiner — Janice Hallmark

(74) *Attorney, Agent, or Firm* — Price Heneveld LLP

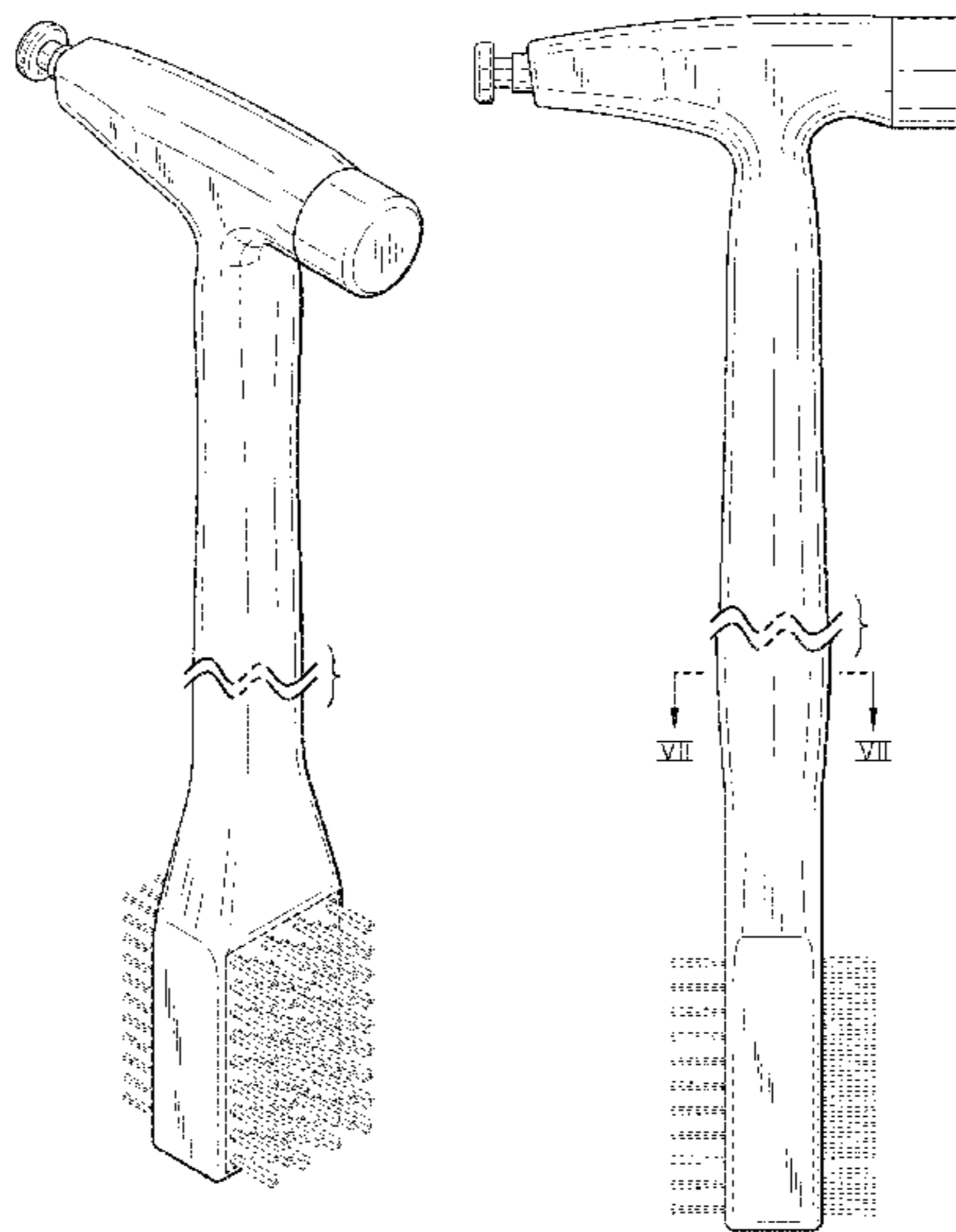
(57) **CLAIM**

I claim the ornamental design for multi-purpose hitch tool, as shown and described.

DESCRIPTION

FIG. 1 is a top perspective view of one embodiment of a multi-purpose hitch tool;
 FIG. 2 is a first side elevational view of the multi-purpose hitch tool of FIG. 1;
 FIG. 3 is a second side elevational view of the multi-purpose hitch tool of FIG. 1;
 FIG. 4 is a third side elevational view of the multi-purpose hitch tool of FIG. 1;
 FIG. 5 is a top plan view of the multi-purpose hitch tool of FIG. 1;
 FIG. 6 is a bottom plan view of the multi-purpose hitch tool of FIG. 1; and,
 FIG. 7 is a cross-sectional view of the multi-purpose hitch tool taken at line VII-VII of FIG. 4.
 The broken lines in the drawings depict environmental subject matter and are for illustrative purposes only and form no part of the claimed design. The drawings include break lines that indicate any portion of the article beyond what is shown forms no part of the claimed design.

1 Claim, 2 Drawing Sheets



US D719,005 S

Page 2

(56)

References Cited

U.S. PATENT DOCUMENTS

			8,341,794 B1	1/2013	Sales	
			D687,690 S *	8/2013	Chen	D8/26
			2005/0188486 A1	9/2005	Tubman	
			2008/0289130 A1	11/2008	Bubbers	
D572,906 S	7/2008	Sales				
D639,131 S *	6/2011	Winsor	D8/105			

* cited by examiner

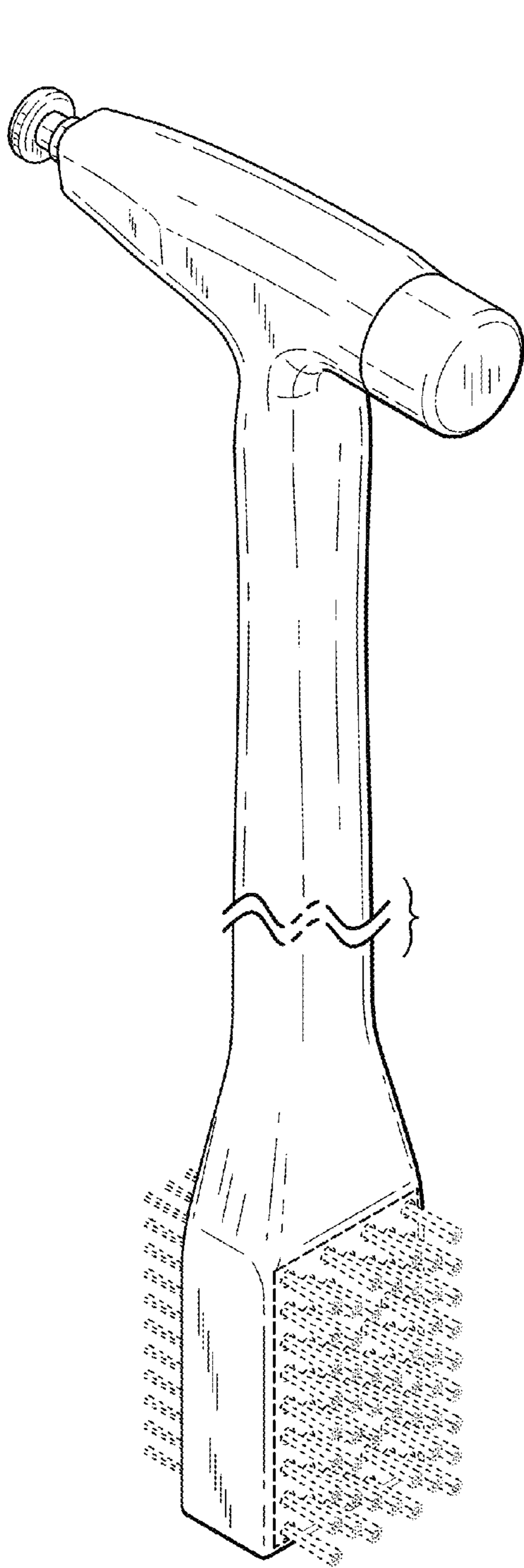


FIG. 1

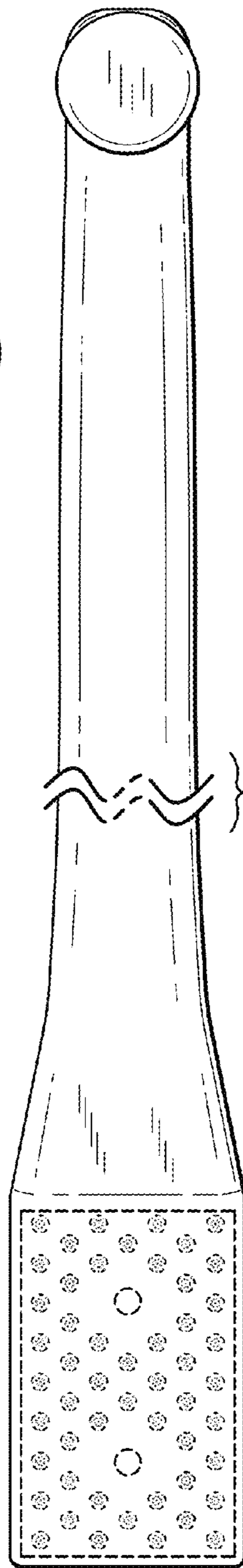


FIG. 2

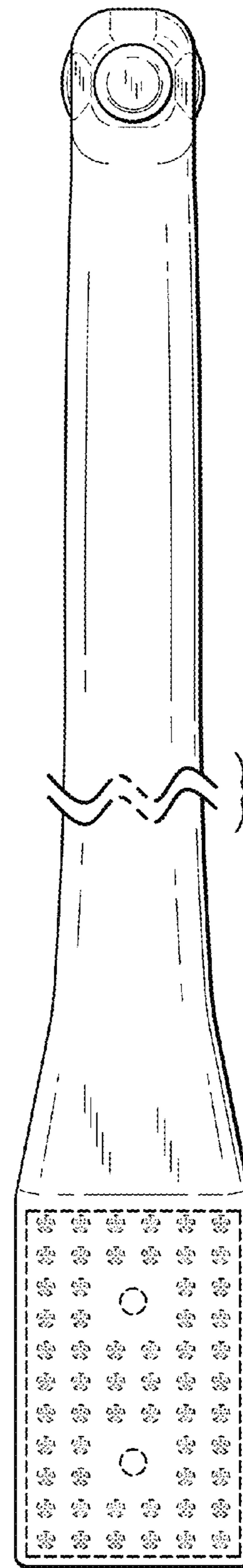


FIG. 3

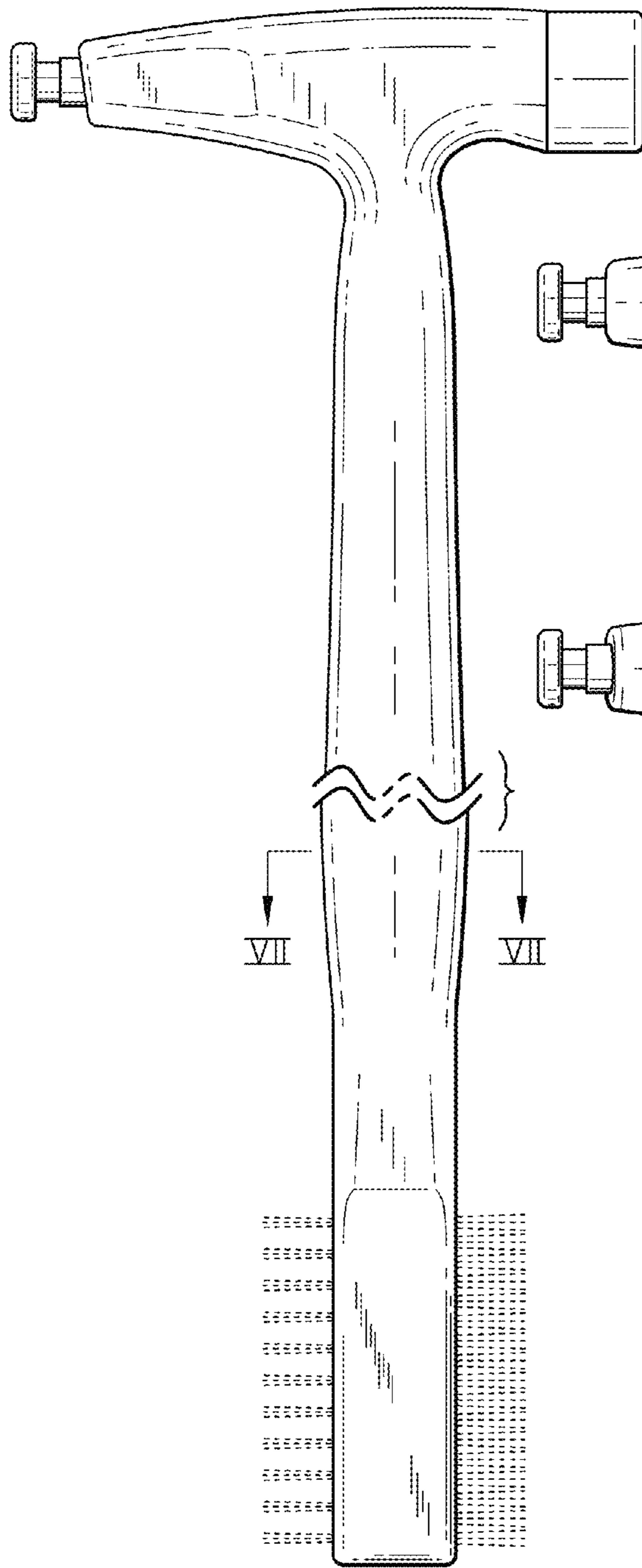


FIG. 4

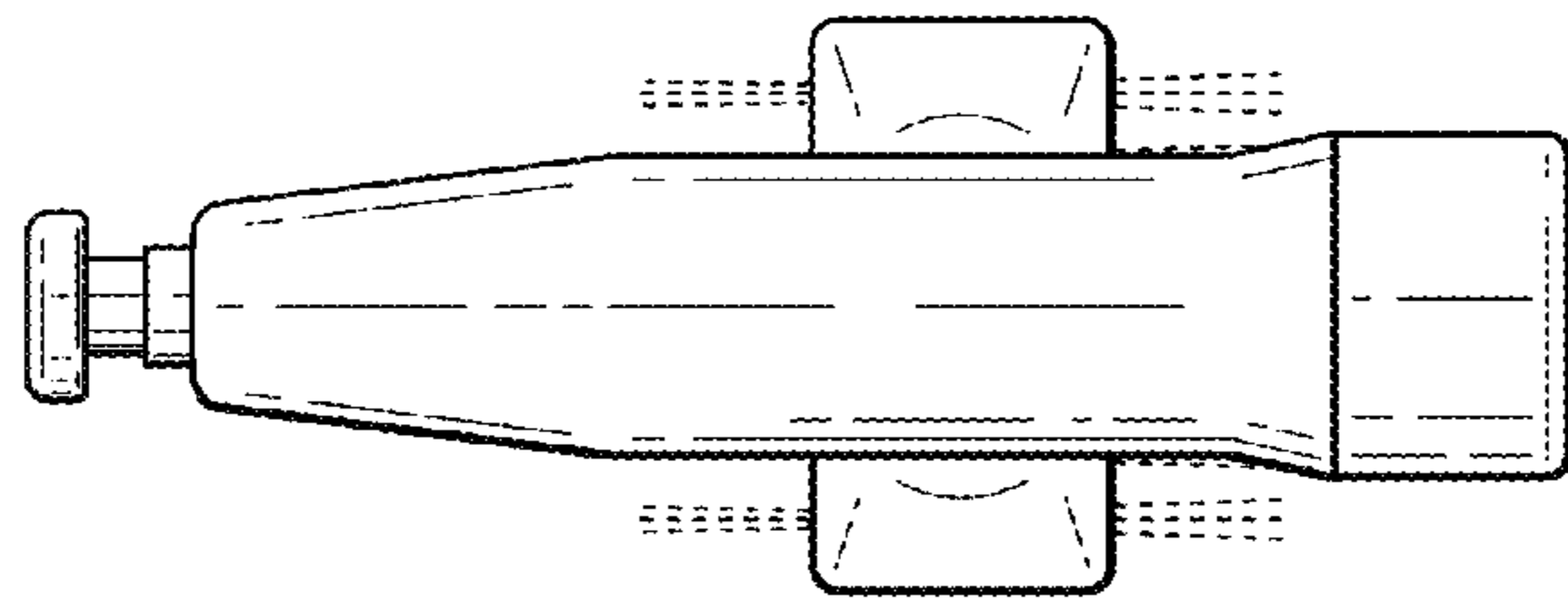


FIG. 5

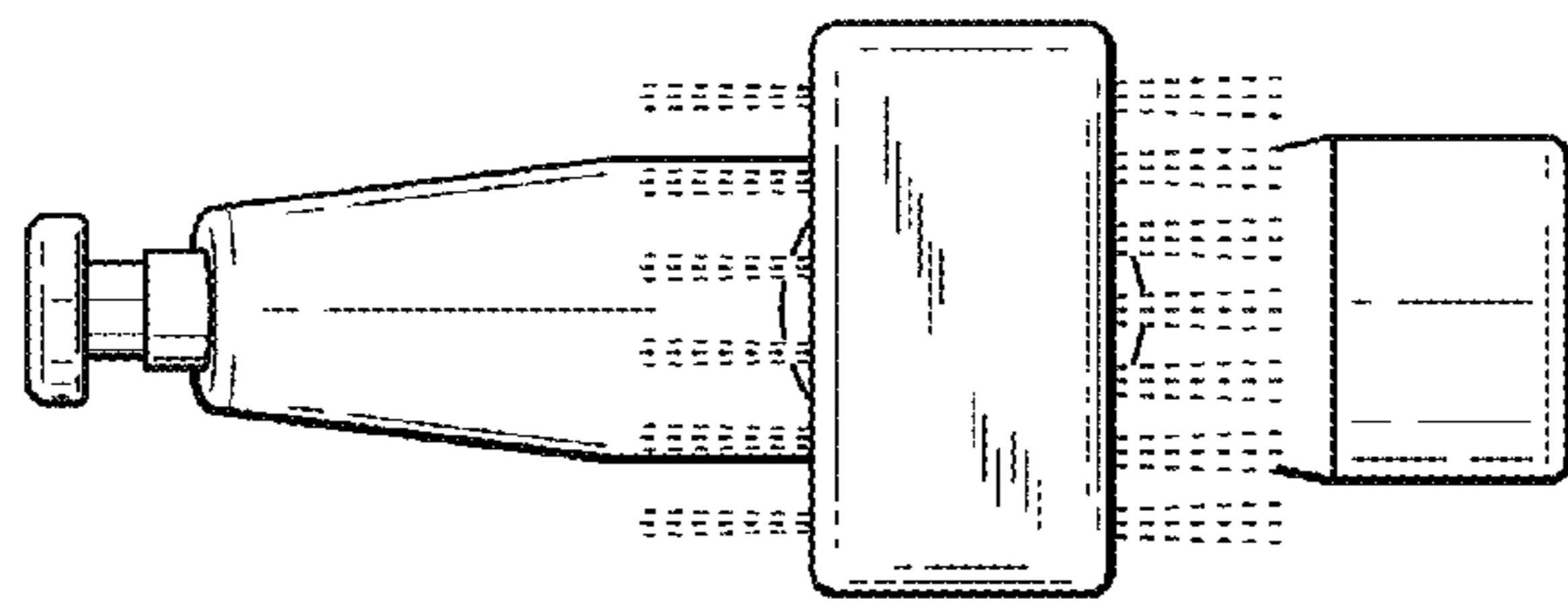


FIG. 6

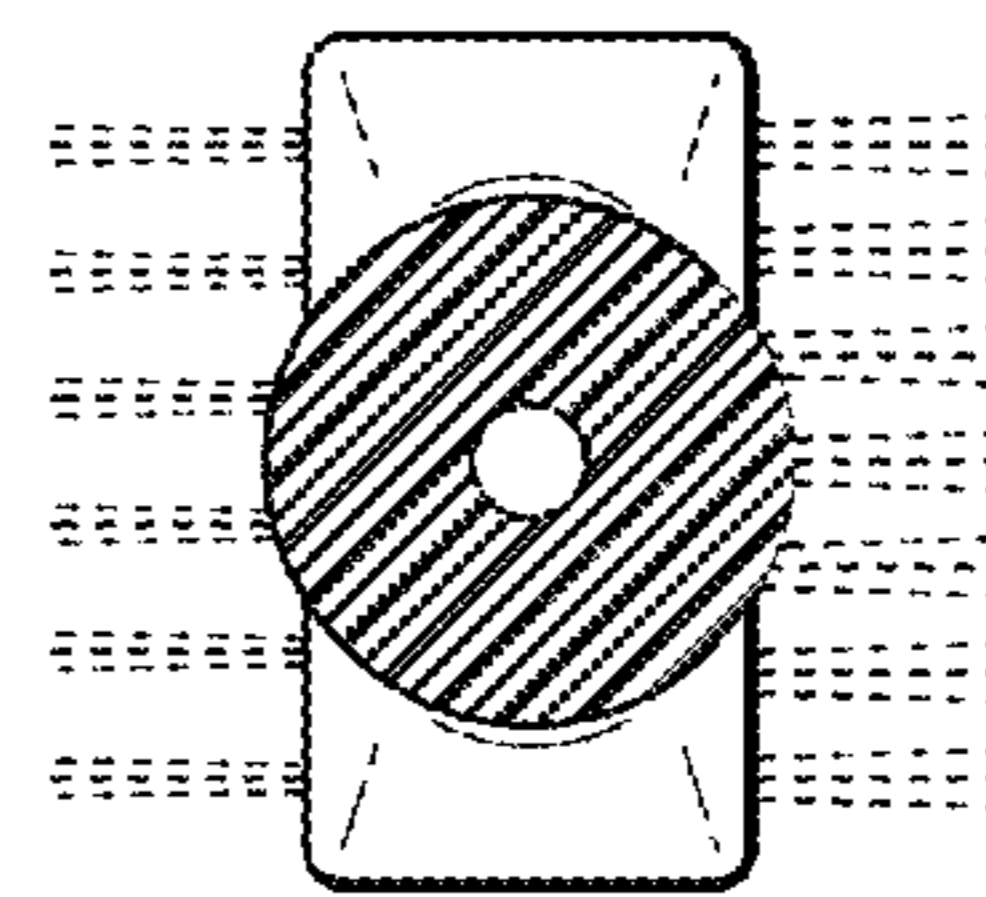


FIG. 7