



US00D719004S

(12) **United States Design Patent**
Neeley

(10) **Patent No.:** **US D719,004 S**
(45) **Date of Patent:** **** Dec. 9, 2014**

- (54) **PRYBAR**
- (76) Inventor: **C. Milton Neeley**, Hooper, UT (US)
- (**) Term: **14 Years**
- (21) Appl. No.: **29/429,855**
- (22) Filed: **Aug. 17, 2012**
- (51) **LOC (10) Cl.** **08-05**
- (52) **U.S. Cl.**
USPC **D8/89**
- (58) **Field of Classification Search**
CPC B25F 1/00
USPC 254/21, 22, 25, 131, 167, 168; 7/146,
7/147, 166; 30/167, 168; D8/14, 47, 81,
D8/88, 89
See application file for complete search history.

D398,821	S	*	9/1998	Jones	D8/14
6,676,111	B2		1/2004	Bigham		
6,820,457	B2		11/2004	Luebke et al.		
6,988,711	B2		1/2006	Skach		
D593,837	S		6/2009	Lindskog		
7,634,845	B1		12/2009	Sim		
D644,084	S		8/2011	Canavan et al.		
8,434,739	B1	*	5/2013	Connolly	254/130
2006/0213057	A1	*	9/2006	Pruitt	29/759
2009/0139035	A1	*	6/2009	Kang	7/100
2011/0113566	A1	*	5/2011	Holbrook	7/146

* cited by examiner

Primary Examiner — Adir Aronovich
Assistant Examiner — Ethiene Salgado-Rodriguez
(74) *Attorney, Agent, or Firm* — TraskBritt

(57) **CLAIM**
The ornamental design for a prybar, as shown and described.

(56) **References Cited**

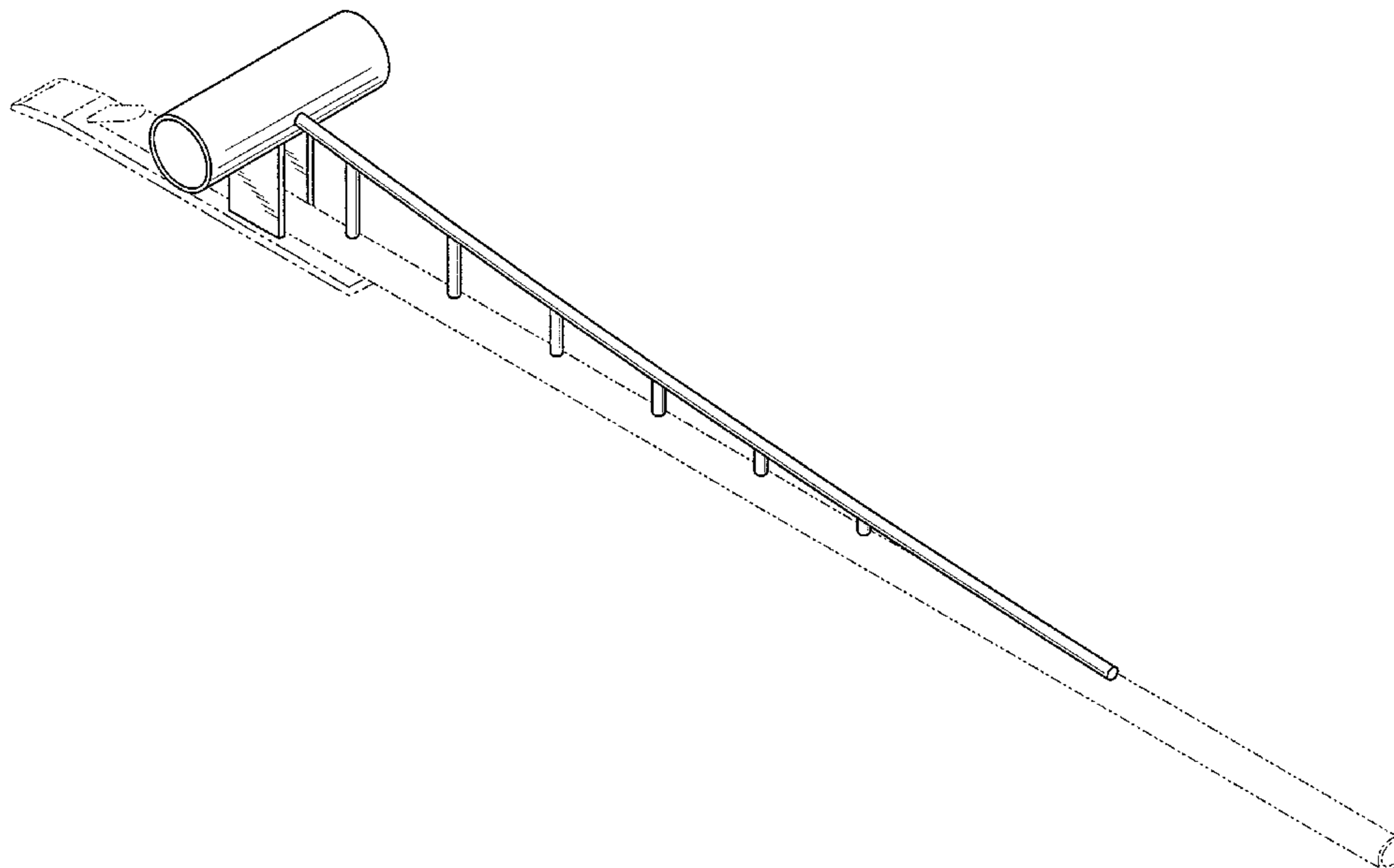
U.S. PATENT DOCUMENTS

1,356,431	A		10/1920	Eddy		
1,570,192	A	*	1/1926	Younick	254/131
1,719,311	A	*	7/1929	Sargent	81/485
2,446,410	A		8/1948	Couse		
D168,586	S	*	1/1953	Oros et al.	D8/14
2,716,274	A	*	8/1955	Smith	29/280
4,183,503	A	*	1/1980	Ward	254/131
4,488,706	A	*	12/1984	Kono	254/131
D277,359	S		1/1985	Schiller		
4,650,232	A		3/1987	Perry		
D332,382	S	*	1/1993	Westcott	D8/89
D344,665	S		3/1994	Baker		
5,782,600	A		7/1998	Walsh		

DESCRIPTION

FIG. 1 is a left side elevational view of a prybar showing my new design;
FIG. 2 is a right side elevational view thereof;
FIG. 3 is a front elevational view thereof;
FIG. 4 is a rear elevational view thereof;
FIG. 5 is a top plan view thereof;
FIG. 6 is a bottom plan view thereof; and,
FIG. 7 is a perspective view thereof.
The broken lines in the figures are for the purpose of illustrating environment and form no part of the claimed design.

1 Claim, 3 Drawing Sheets



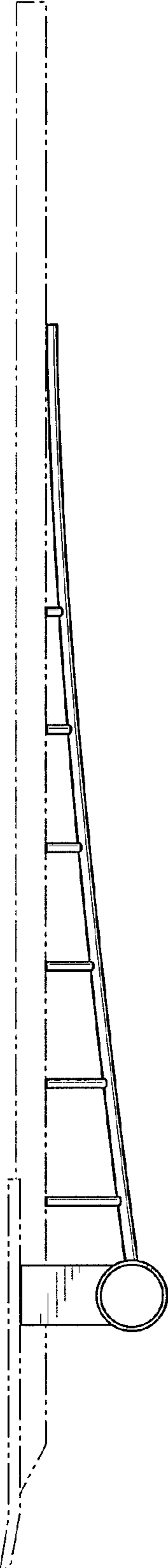


FIG. 1

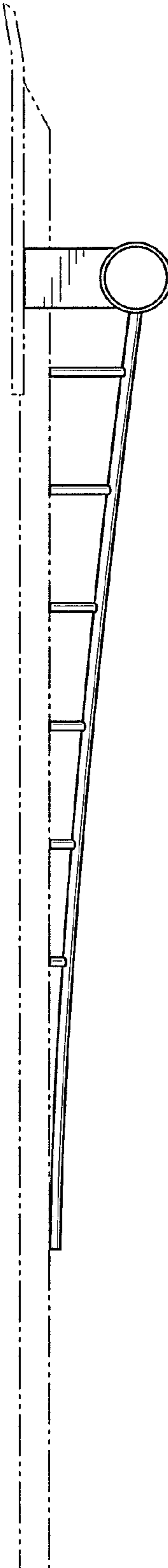


FIG. 2

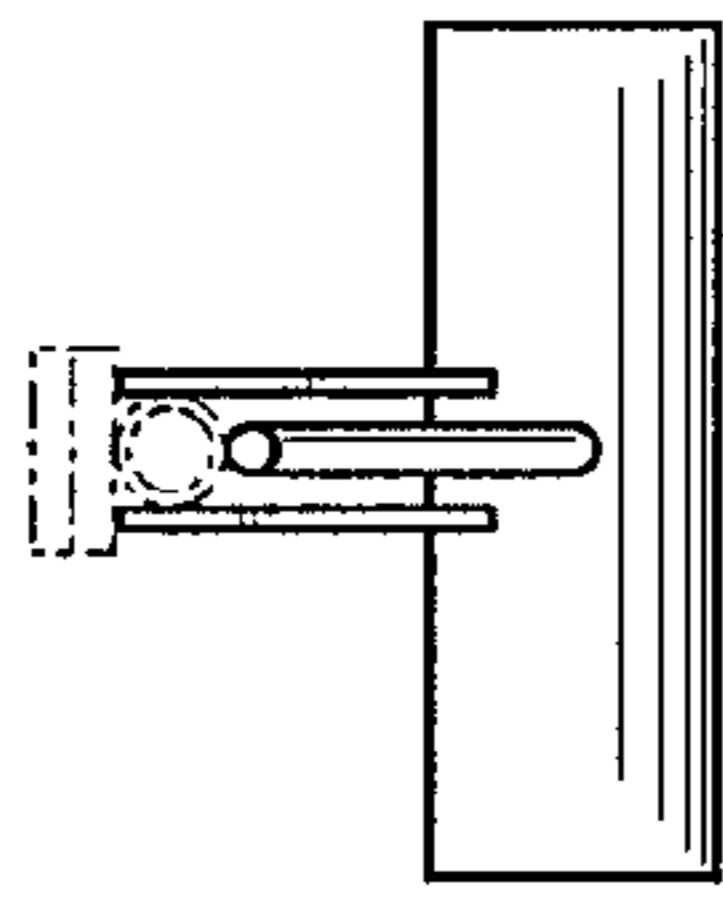


FIG. 3

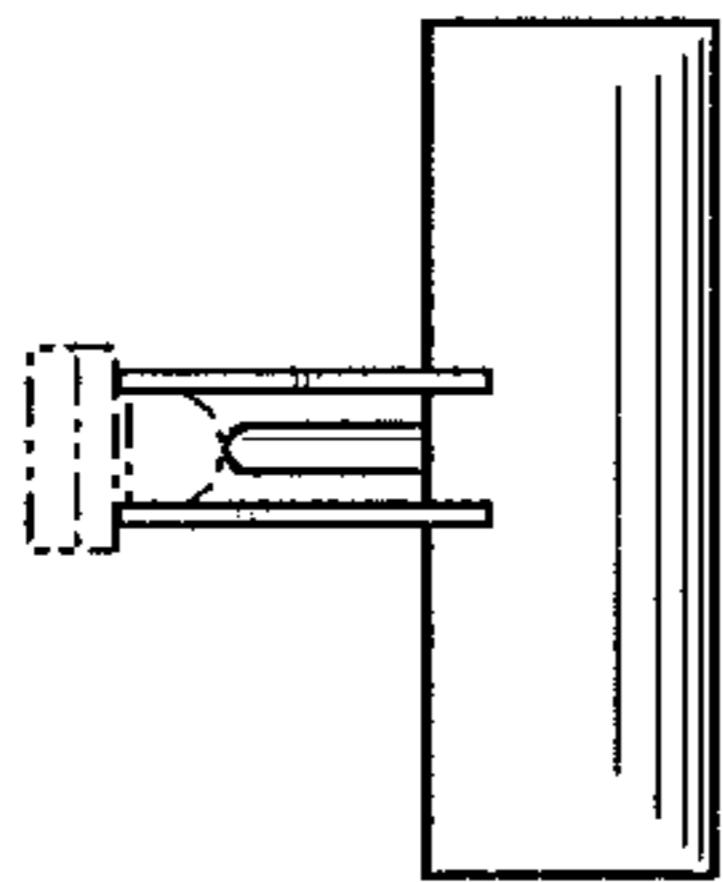


FIG. 4

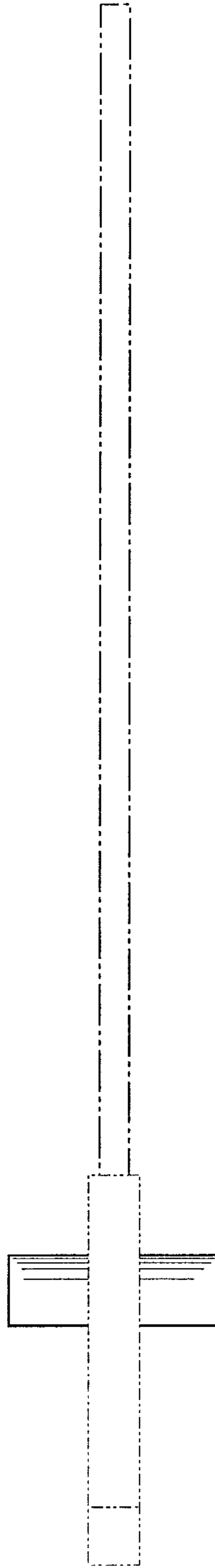


FIG. 5

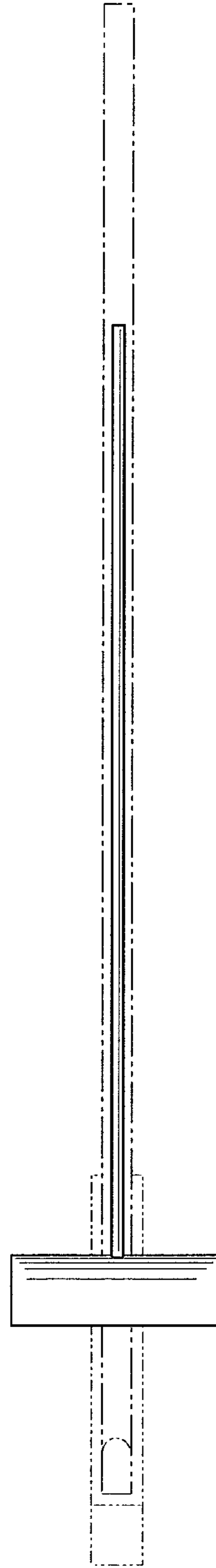


FIG. 6

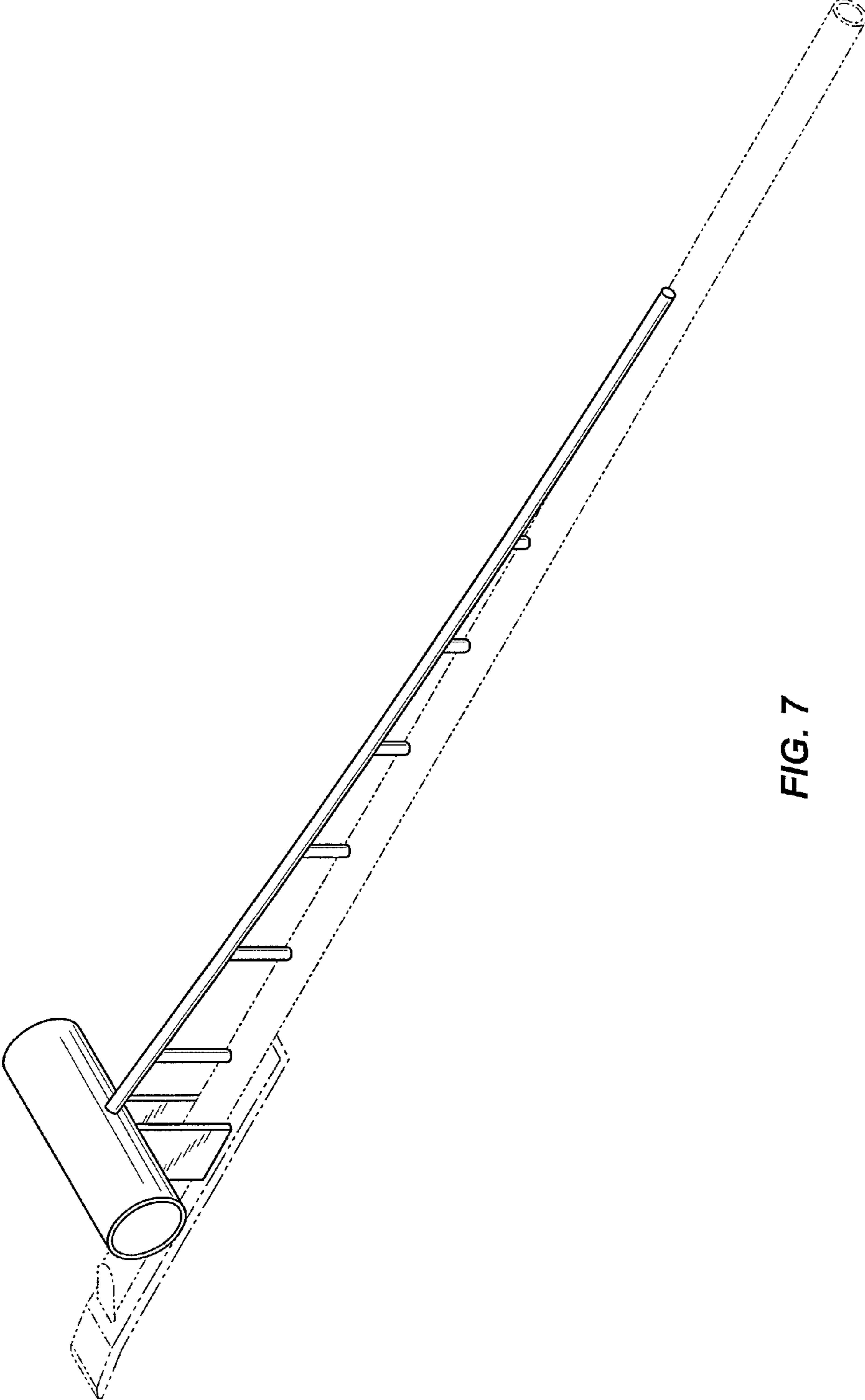


FIG. 7